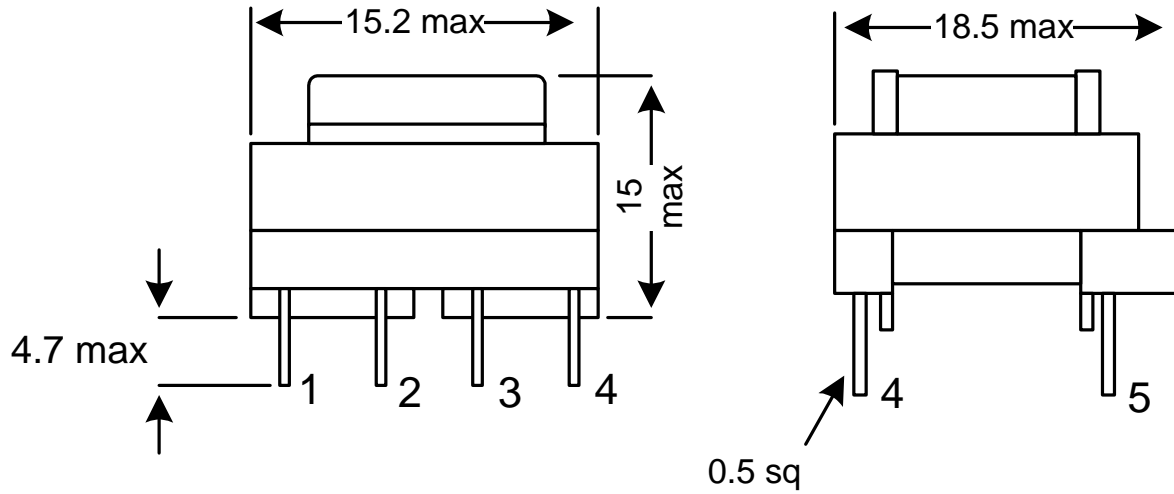
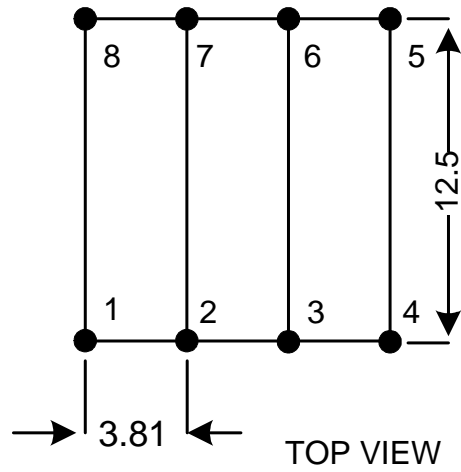


**Mechanical Drawing**



**PCB Layout**



UNIT:mm