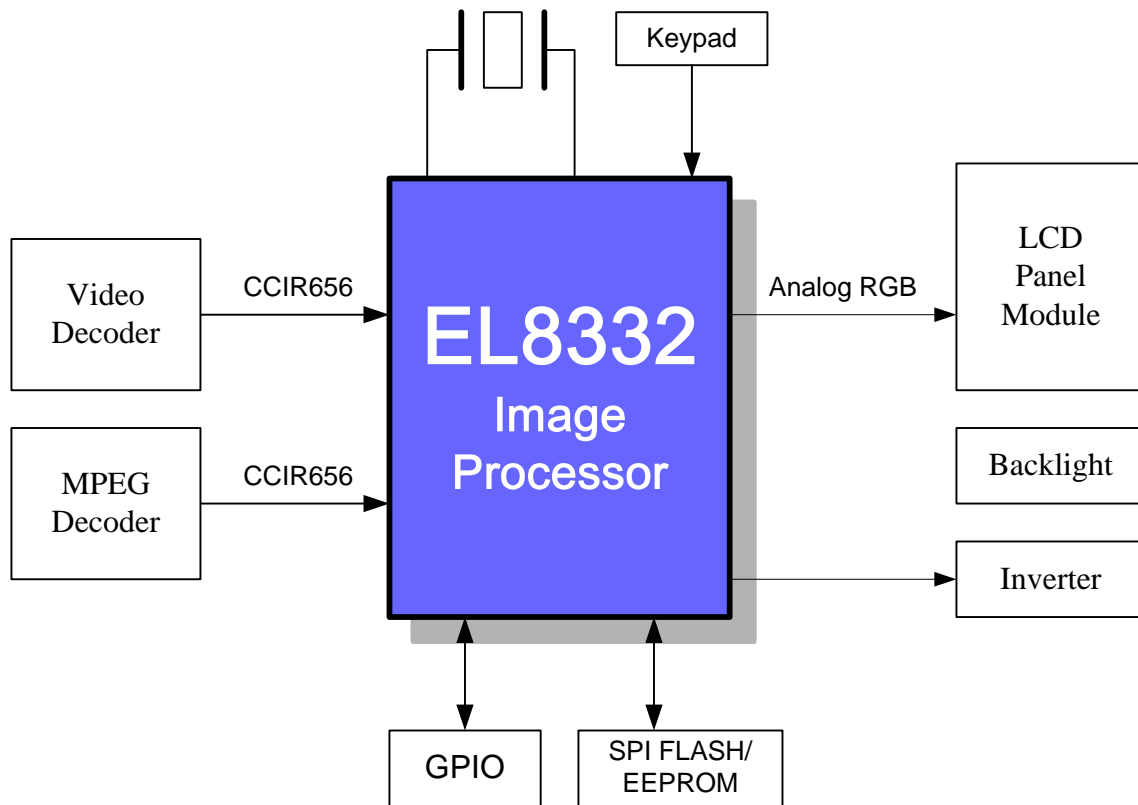


GENERAL DESCRIPTION

The EL8332 is a high-quality image processing IC specifically designed for Portable DVD and Car TV Panels. The EL8332 combines the functionality of scaling and timing control and applies to commercial available panels of various resolutions. The chip has two CCIR656 input channels and an analog output from DAC to support analog panels. The de-interlacing function, sharpness and gamma curve processing features generate vivid images. In addition, the EL8332 supports 16:9/4:3 aspect ratio/zoom mode display type to meet all application requirements.

This high quality and low cost single chip solution includes a CCIR656 decoder, one PLL circuit, one three channel DAC, one internal On Screen Display (OSD), a sophisticated filter, an advanced scaling engine, a versatile timing controller (T-Con) for smart-panel integration and an integrated 8032 compatible microprocessor with ISP capability. With this level of integration, the EL8332 device simplifies and reduces the cost of portable LCD displays while maintaining a high degree of flexibility and quality. The output format of EL8332 supports 2.5" ~ 10" analog TFT-LCD modules.

SYSTEM CONFIGURATION DIAGRAM



Part Number	Input Type	Input Channels	Package (Green)
EL8332TQ-G	ITU-R BT.656	2	64-lead LQFP