

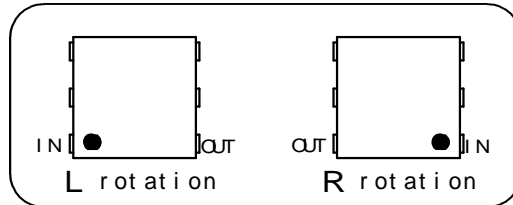
<TENTATIVE>

# 5mm SQUARE THIN TYPE ISOLATOR

## MODEL ESI-5BB [ ] 0851 M 01 - T

(1)            (2)            (3)            (4)            (5)            (6)

- (1) Series ESI-5BB ; 2.0mm Height for 800MHz Band
- (2) Rotating Direction (R or L)
- (3) Center Frequency
- (4) M ; MHz
- (5) Control No.
- (6) T ; Taping  
Blank;Bulk



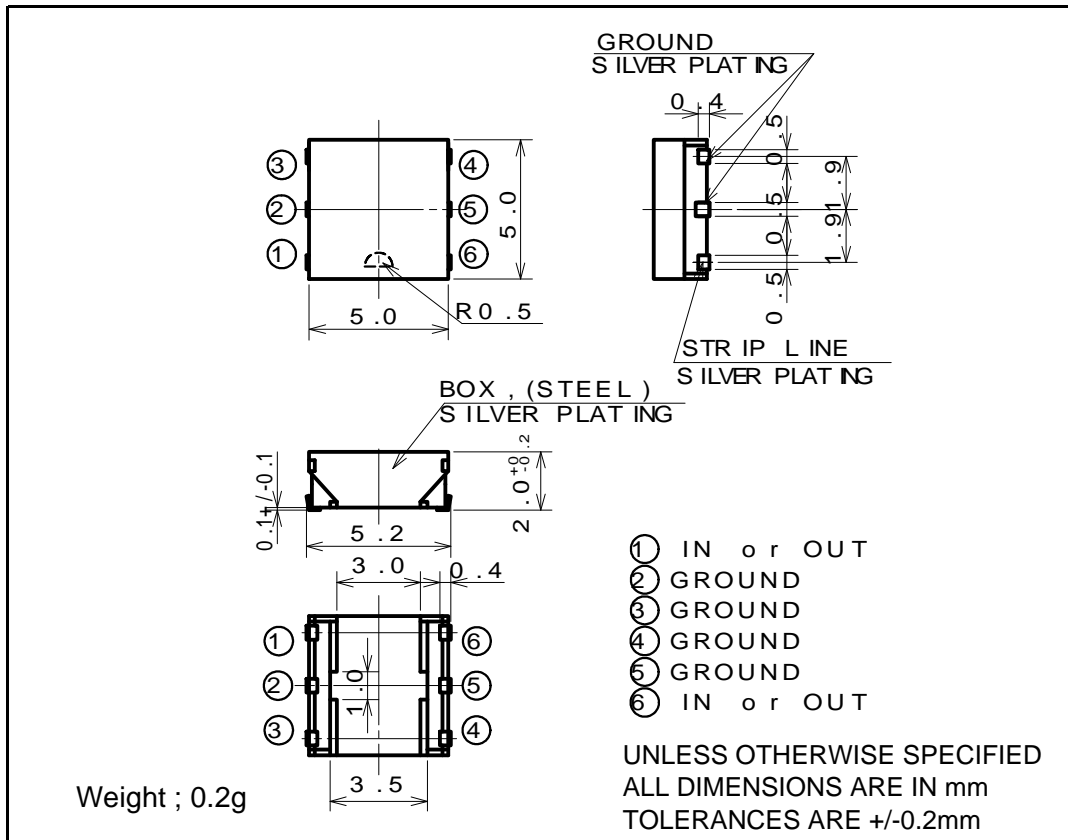
### Specification

Frequency (MHz)	Ins. Loss Max. (dB)	Isolation Min. (dB)	V.S.W.R. Max.	Attenuation		Handling Power Max. (W)	Reflection Power Max. (W)
				at 2f Min. (dB)	at 3f Min. (dB)		
832-870	0.80	11	1.6	-	-	5.0	1.0

Operating Temperature(deg.C) ; -35 to +85

Impedance ; 50 ohms Typ.

### Shape & Size



TBE049

