

2012 Size

2400/2500 MHz

Chip Multilayer Splitter/Combiner

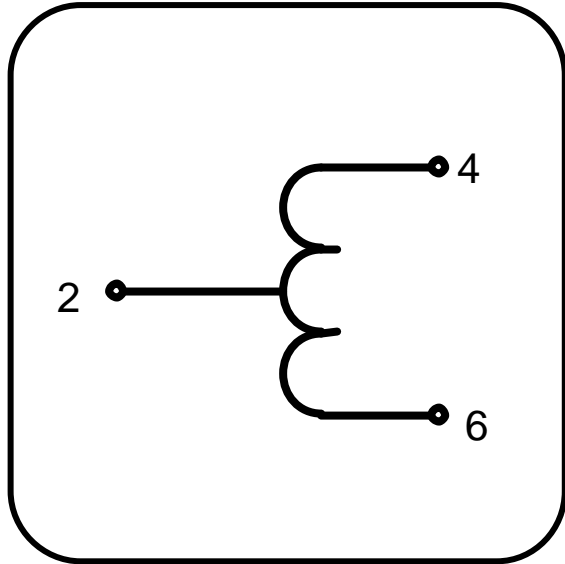
**FSLH-S240C**

All the technical data and information contained herein are subject to change without notice.

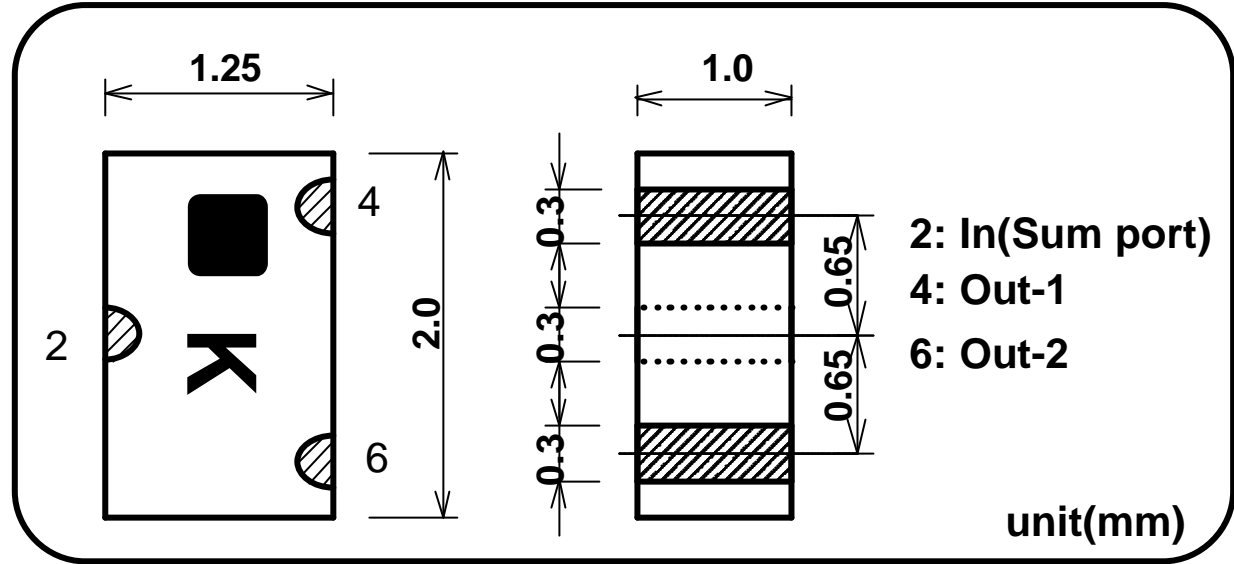


**LH-FSLH-S240C-0406A**

## Equivalent Circuits



## Shape & Size



## Specifications

Part Name: FSLH-S240C

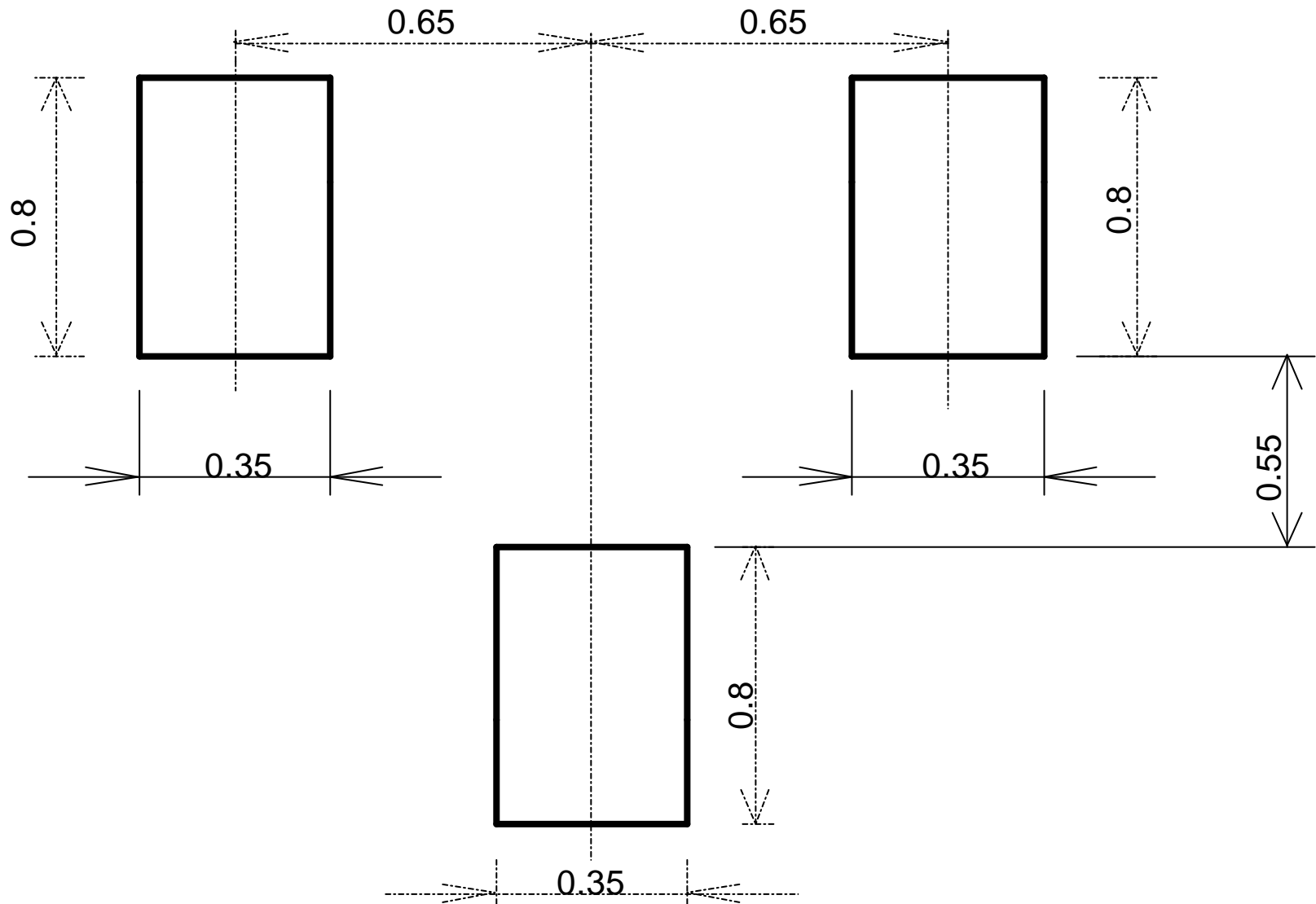
Frequency Range	Matching Capacitor	Insertion Loss *1	Isolation	Return Loss	Handling Power	Temperature Range
2400-2500MHz	0.5pF	1dB Max. (0.45dB Typ.)	12dB Min. (18dB Typ.)	10dB Min. (15dB Typ.)	1W Max. (CW)	-35 to +85 deg.C

\*1 Not include splitting loss (3dB)

All the technical data and information contained herein are subject to change without notice.

LH-FSLH-S240C-0406A

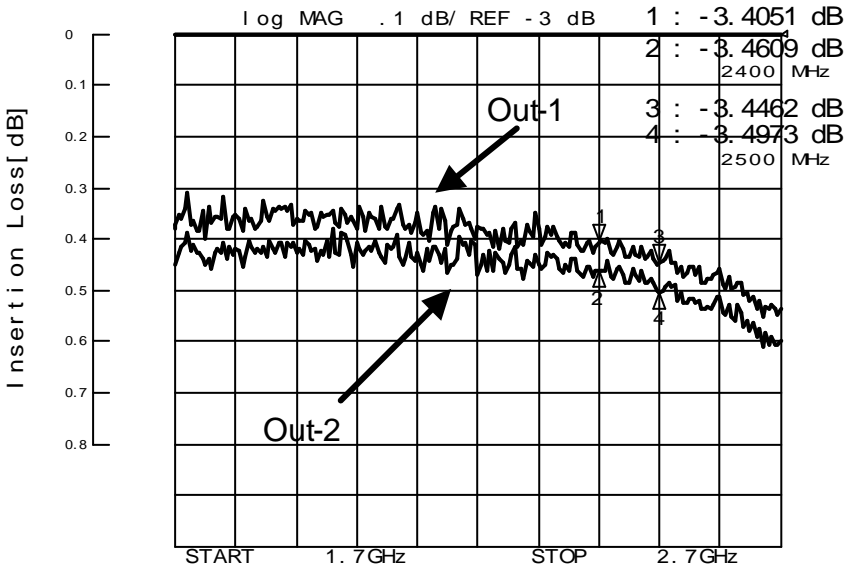
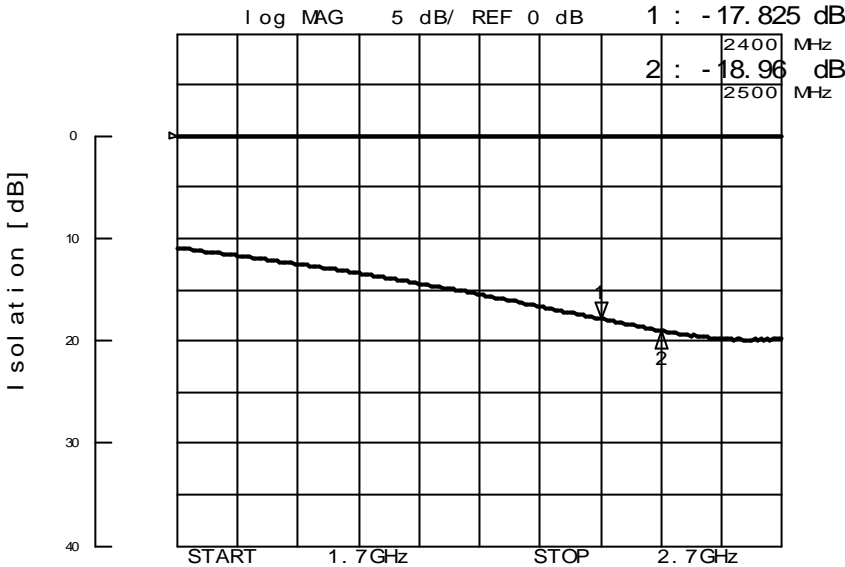
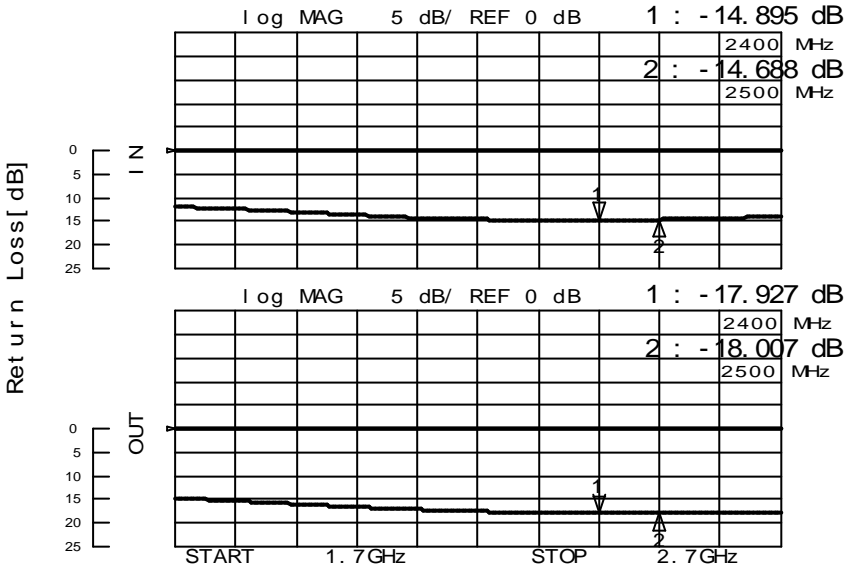
# FOOT PATTERN



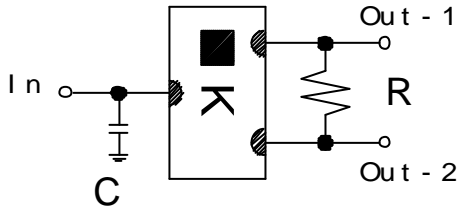
All the technical data and information contained herein are subject to change without notice.

**LH-FSLH-S240C-0406A**

# FSLH-S240C Sample Data



2400/2500 MHz  
Chip Multilayer Splitter/Combiner "FSLH-S240C"



C:0.5pF  
R:100 ohm

LH-FSLH-S240C-0406A