

FEATURES

- 145 μ A typical current drain
- low noise and distortion
- 1.0 to 5 VDC operating range
- 2 independent preamplifiers
- Class A output stage
- variable transducer current
- 4 k Ω microphone decoupling resistor

STANDARD PACKAGING

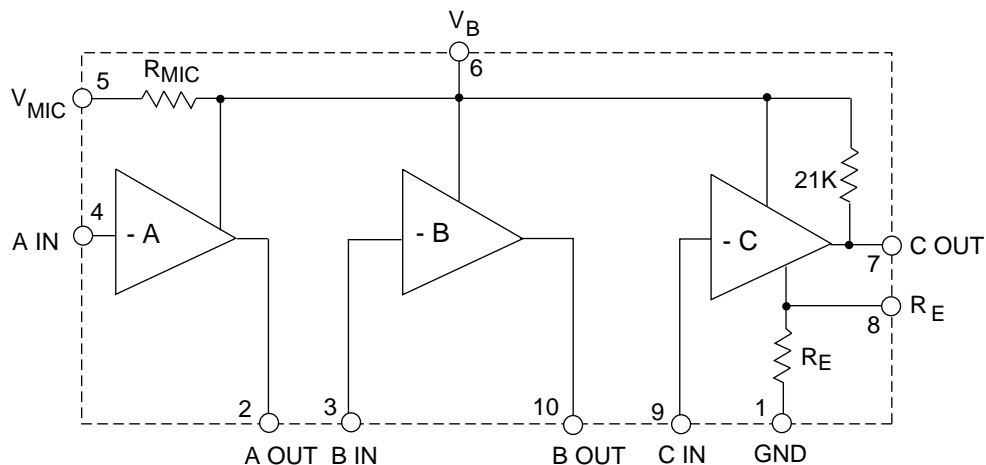
- 10 pin MICROpac
- 10 pin PLID[®]
- 10 pin SLT
- Chip (61 x 55 mils)
Au Bump

DESCRIPTION

The GC509 is a Class A amplifier utilizing Gennum's proprietary low voltage JFET technology. It consists of two single-ended, low noise inverting gain blocks, a Class A output stage, and an on-chip microphone decoupling resistor.

Blocks A and B typically have an open loop voltage gain of 56 dB, with the closed loop gain set by the ratio of the feedback resistor to the source impedance. It is recommended that the maximum closed loop gain be 20 dB lower than the open loop gain. All blocks of the device are internally bias compensated, preventing any DC current flow via external feedback resistors. Without this compensation, audible scratchiness would be present during changes in volume control settings.

The output stage of the GC509 is a Class A current drive. It has a fixed reference voltage of typically 55 mV at pin 8 of the device. The current that flows in the transducer is the ratio of the 55 mV reference voltage and the on-chip emitter resistor (R_E). To increase the bias current in the transducer, simply place an external R_E resistor from pin 8 to ground, thereby decreasing the equivalent emitter resistance and increasing the current.



All resistors in ohms, all capacitors in Farads unless otherwise stated

BLOCK DIAGRAM

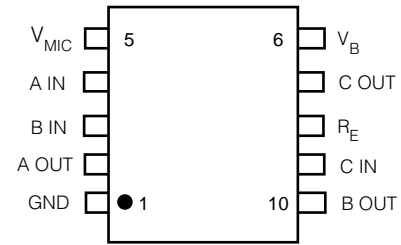
ABSOLUTE MAXIMUM RATINGS

PARAMETER	VALUE / UNITS
Supply Voltage	5V DC
Power Dissipation	25 mW
Operating Temperature	-10° to + 40°C
Storage Temperature	-20° to + 70°C

CAUTION
CLASS 1 ESD SENSITIVITY



PIN CONNECTION

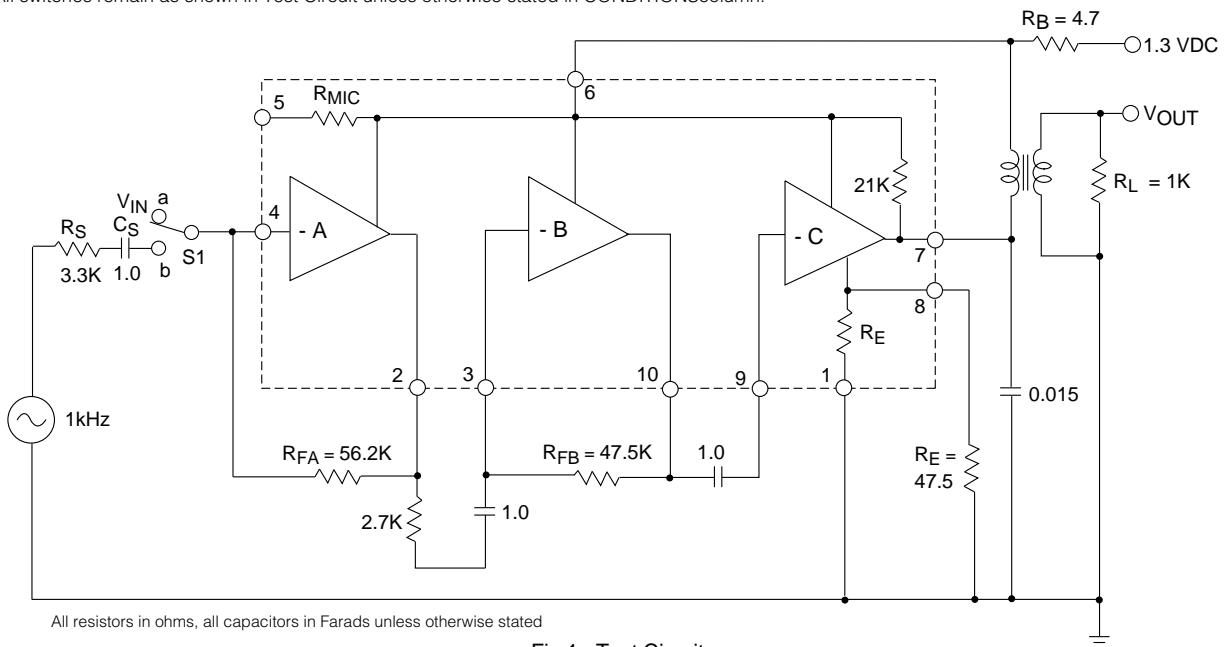


ELECTRICAL CHARACTERISTICS

Conditions: Frequency = 1 kHz, Temperature = 25°C, Supply Voltage = 1.3 VDC

PARAMETER	SYMBOL	CONDITIONS	MIN	TYP	MAX	UNITS
Amplifier Current	I_{AMP}		80	145	210	μ A
Transducer Current	I_{TRANS}	$R_E = \infty$	200	275	350	μ A
Maximum Transducer Current	$I_{TRANS(MAX)}$	$R_E = 0 \Omega$	2	-	-	mA
Input Bias Current	I_{BIAS}	$R_{FA} = 1M, R_{FB} = 1M$	-50	0	50	nA
Input Referred Noise	IRN	NFB 0.2 to 10kHz at 12dB/Oct	-	1	2	μ V _{RMS}
Harmonic Distortion	THD	S1 = b, $V_{OUT} = 500$ mVRMS	-	1	4	%
Voltage Gain	A_V	S1 = b, $V_{OUT} = 500$ mVRMS	70	73	76	dB
Stable with Battery Resistance Resistance (R_B) to:	Stability	$R_B = 22 \Omega$	-	-	22	Ω
Emitter Bias Voltage (Pin 8)	V_{RE}		-	55	-	mV
Microphone Resistance	R_{MIC}		3	4	5	k Ω
On Chip Emitter Resistor	R_E		-	200	-	Ω
Preamp Current Drive Capability	I_{OUT}		-	30	-	μ A

All switches remain as shown in Test Circuit unless otherwise stated in CONDITIONScolumn.



All resistors in ohms, all capacitors in Farads unless otherwise stated

Fig.1 Test Circuit

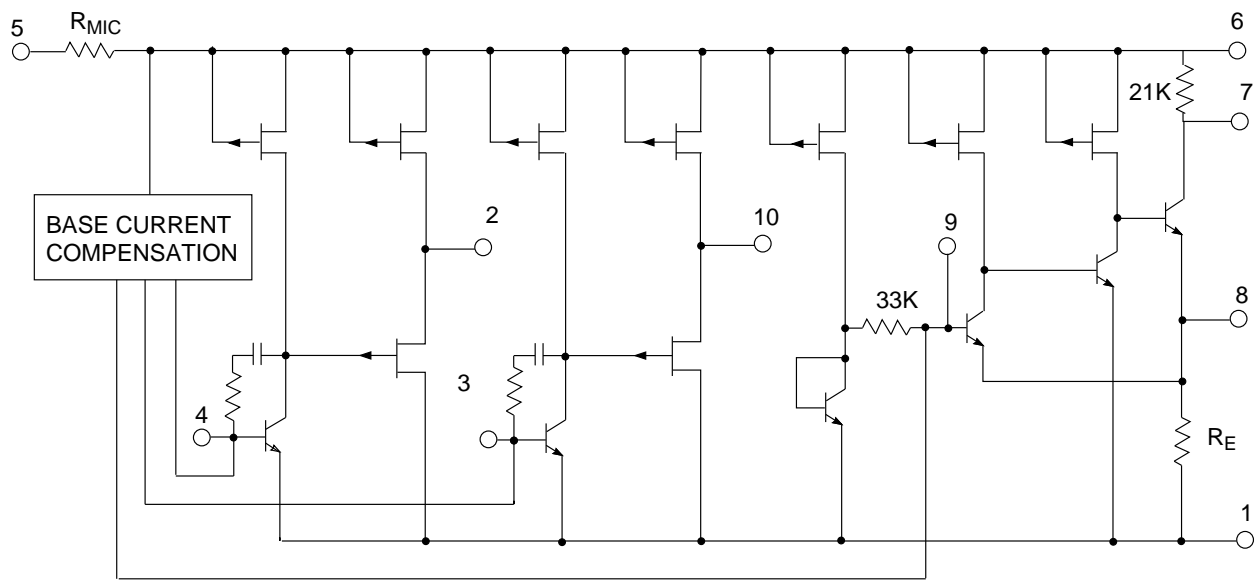
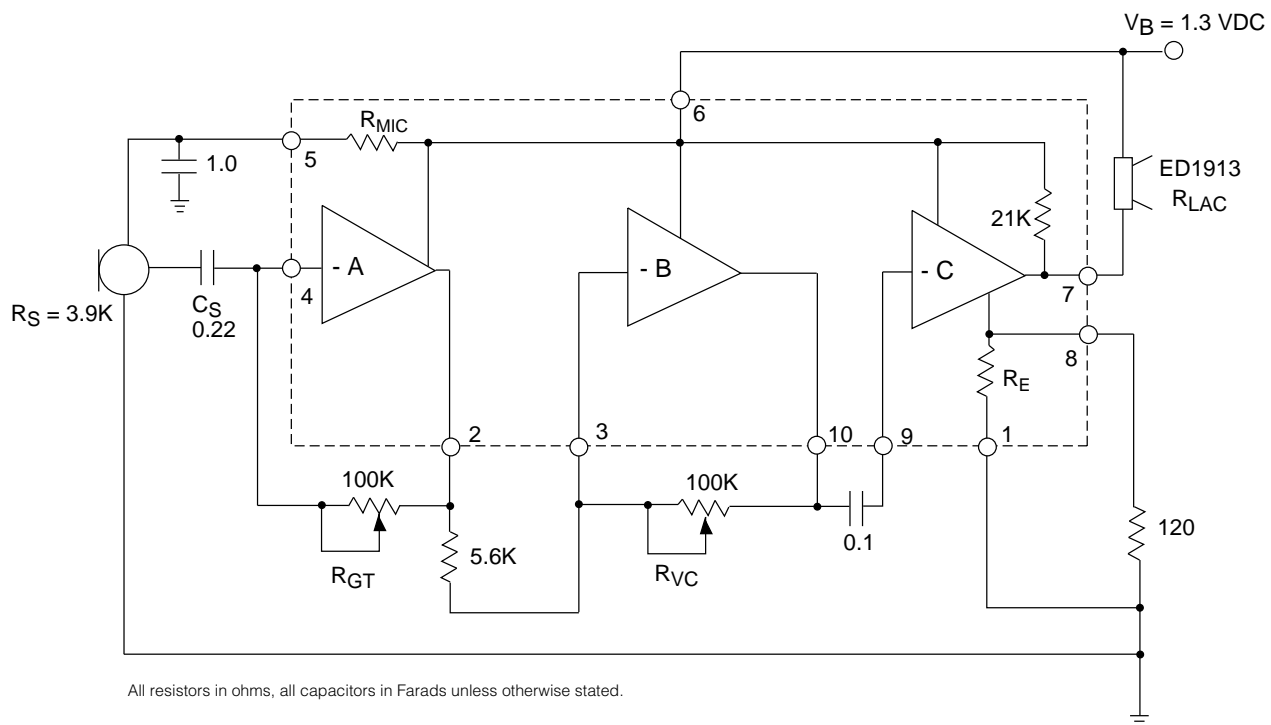


Fig. 2 Functional Schematic



$$\text{Gain of stage A} = 20 \text{ Log}_{10} \frac{R_{GT}}{R_S}$$

$$\text{Gain of stage B} = 20 \text{ Log}_{10} \frac{R_{VC}}{5.6K}$$

$$\text{Gain of stage C} = 20 \text{ Log}_{10} \frac{R_{LAC}/21K}{R_E/120}$$

Fig. 3 Typical Hearing Aid Circuit

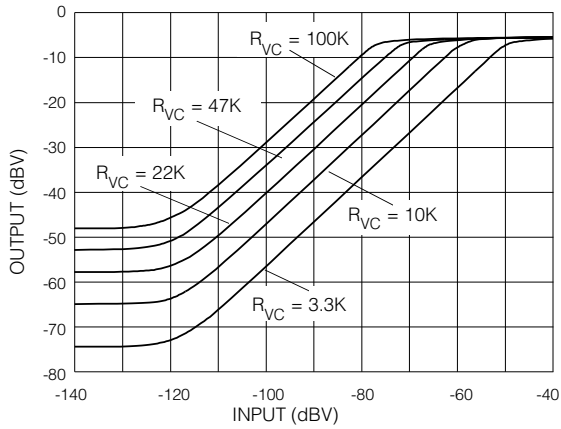


Fig. 4 I/O Curves at Various R_{vc} Settings

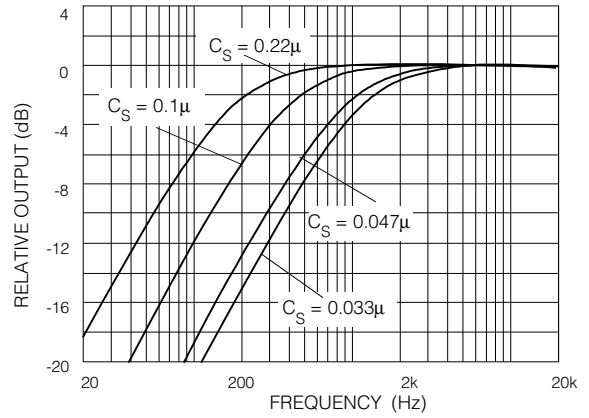


Fig. 5. Closed Loop Frequency Response with Various C_s Values

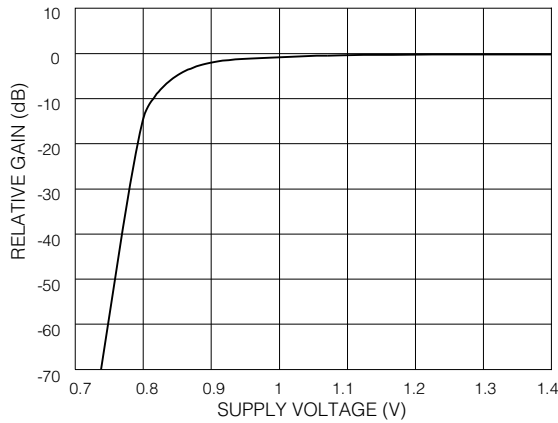


Fig. 6 Gain vs Supply Voltage

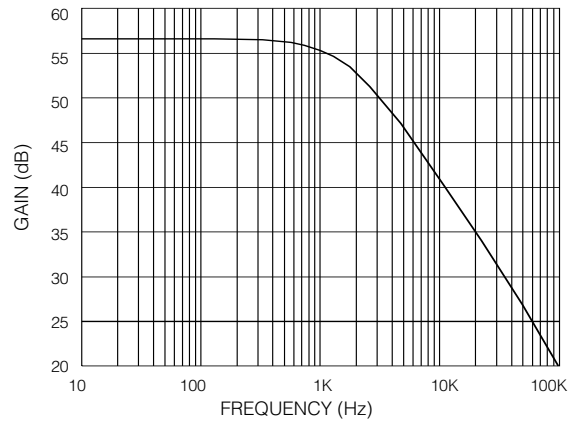


Fig. 7 Preamp Open Loop Frequency Response

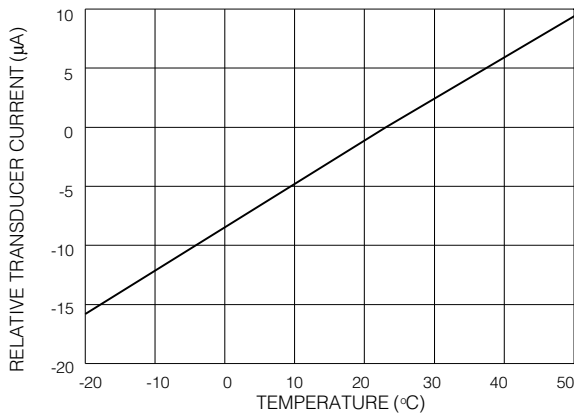


Fig. 8 Transducer Current vs Temperature

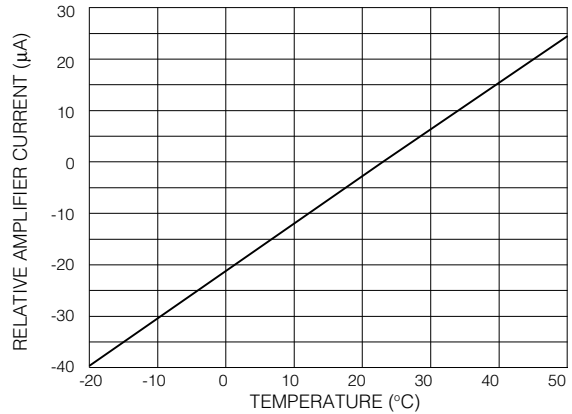


Fig. 9 Amplifier Current vs Temperature

REVISION NOTES

Changes to standard packaging.

Gennum Corporation assumes no responsibility for the use of any circuits described herein and makes no representations that they are free from patent infringement.

© Copyright July 1989 Gennum Corporation. Revision Date: July 1992
All rights reserved. Printed in Canada.

DOCUMENT IDENTIFICATION

PRODUCT PROPOSAL

This data has been compiled for market investigation purposes only, and does not constitute an offer for sale.

ADVANCE INFORMATION NOTE

This product is in development phase and specifications are subject to change without notice. Gennum reserves the right to remove the product at any time. Listing the product does not constitute an offer for sale.

PRELIMINARY DATA SHEET

The product is in a development phase and specifications are subject to change without notice.

DATA SHEET

The product is in production. Gennum reserves the right to make changes at any time to improve reliability, function or design, in order to provide the best product possible.