

DESCRIPTION

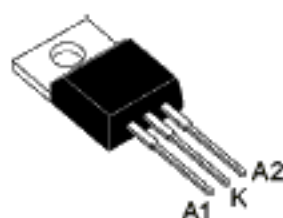
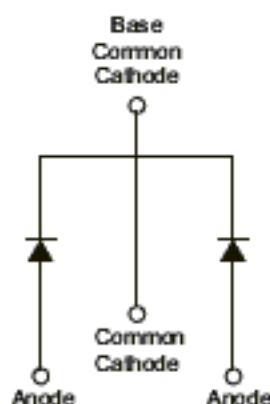
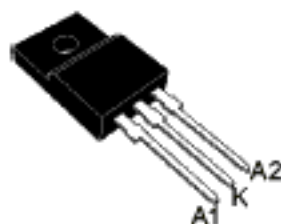
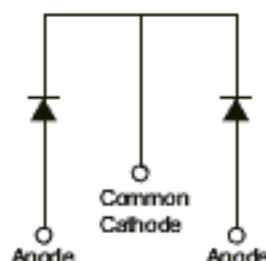
Dual center tap schottky rectifier designed for high frequency miniature Switched Mode Power Supplies.

Major Ratings and Characteristics

Characteristics	Values	Unit
$I_{F(AV)}$ Rectangular waveform	2 X 20	A
V_{RRM}	100	V
V_F @20 Apk, $T_C = 125^\circ\text{C}$ (per leg)	0.67	V
T_J range	-45 ~ +150	$^\circ\text{C}$

FEATURES

- ◆ High junction temperature capability
- ◆ Good trade off between leakage current and forward voltage drop
- ◆ Low leakage current

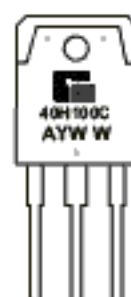
TO-220AB

TO-3P

TO-220FPAB

TO-3PF


◆ MARKING INFORMATION

TO - 220AB



TO - 3P



A : Assemble Location

Y : Year

WW : Work Week

◆ ORDERING INFORMATION

Ordering Number	Package	Shipping
GMR40H100CTP3T	TO - 3P	30 Unit/ Tube
GMR40H100CTPF3T	TO - 3PF	30 Unit/ Tube
GMR40H100CTB3T	TO - 220AB	50 Unit/ Tube
GMR40H100CTBF3T	TO - 220FPAB	50 Unit/ Tube

* For detail Ordering Number identification, please see last page.

◆ ABSOLUTE RATINGS

Symbol	Parameter			Value	Unit	
V_{RRM}	Repetitive peak reverse voltage			100	V	
$I_{F(AV)}$	Average forward current $\delta = 0.5$	TO-220AB TO-3P	$T_C = 155^\circ\text{C}$	per diode per device	20 40	A
I_{FSM}	Surge non repetitive forward current			$t_p = 10$ ms sinusoidal	250	A
T_{stg}	Storage temperature range			-45 to + 150	$^\circ\text{C}$	
T_J	Maximum operating junction temperature*			175	$^\circ\text{C}$	
dV/dt	Critical rate of rise of reverse voltage			10000	V/ μs	

* : $\frac{dP_{tot}}{dT_j} < \frac{1}{R_{th(j-a)}}$ thermal runaway condition for a diode on its own heat sink

◆ Thermal Characteristics ($T_C = 25^\circ\text{C}$ unless otherwise noted)

Parameter	Symbol	TO-220AB	TO-220FPAB	TO-3P	TO-3PF	Unit
Typical thermal resistance per leg	R θ JC	1.7	3.8	0.9	1.25	$^\circ\text{C/W}$

Notes:

- (1) Clip mounting (on case), where lead does not overlap heatsink with 0.110" offset
- (2) Clip mounting (on case), where leads do overlap heatsink
- (3) Screw mounting with 4-40 screw, where washer diameter is ≤ 4.9 mm (0.19")
- (4) Pulse test, 300 μs pulse width, 1% duty cycle

◆ Electrical Characteristics ($T_C = 25^\circ\text{C}$ unless otherwise noted)

Parameter	Symbol	Value	Unit
Maximum instantaneous forward voltage per leg at ⁽⁴⁾	$I_F = 20\text{A}, T_C = 25^\circ\text{C}$ $I_F = 20\text{A}, T_C = 125^\circ\text{C}$ $I_F = 40\text{A}, T_C = 25^\circ\text{C}$ $I_F = 40\text{A}, T_C = 125^\circ\text{C}$	0.79	V
		0.67	
		0.89	
		0.74	
Maximum reverse current per leg at working peak reverse voltage	$T_J = 25^\circ\text{C}$ $T_J = 125^\circ\text{C}$	10	μA
		10	mA

◆ Typical Performance Characteristics

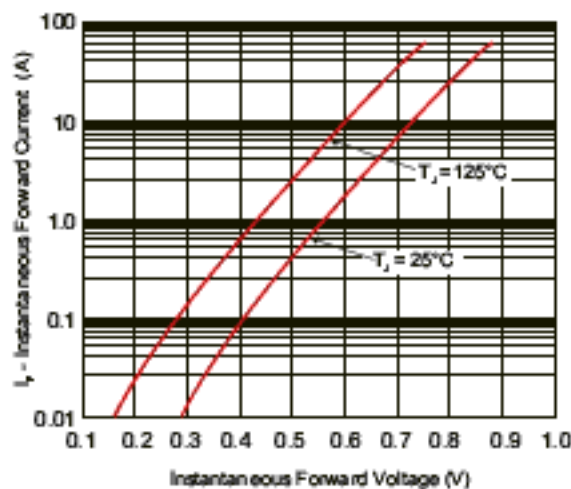
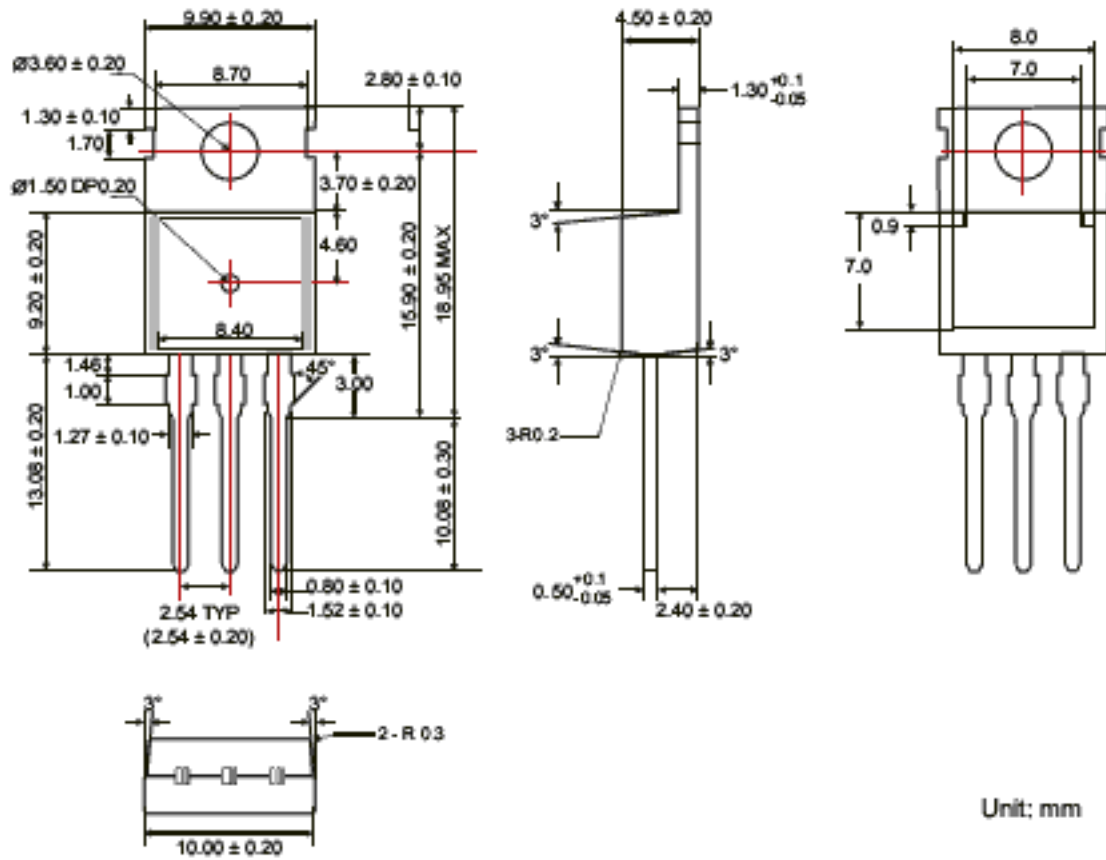
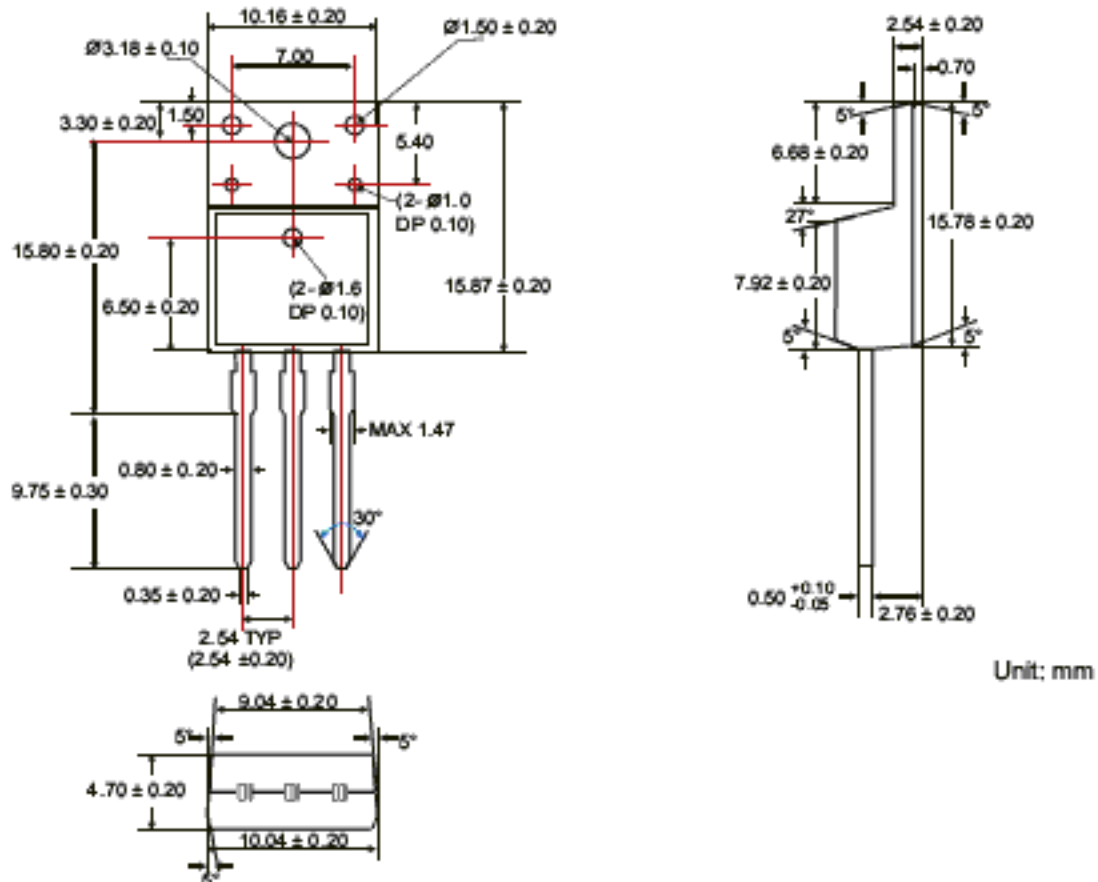


Figure 1. Typical Instantaneous Forward Characteristics

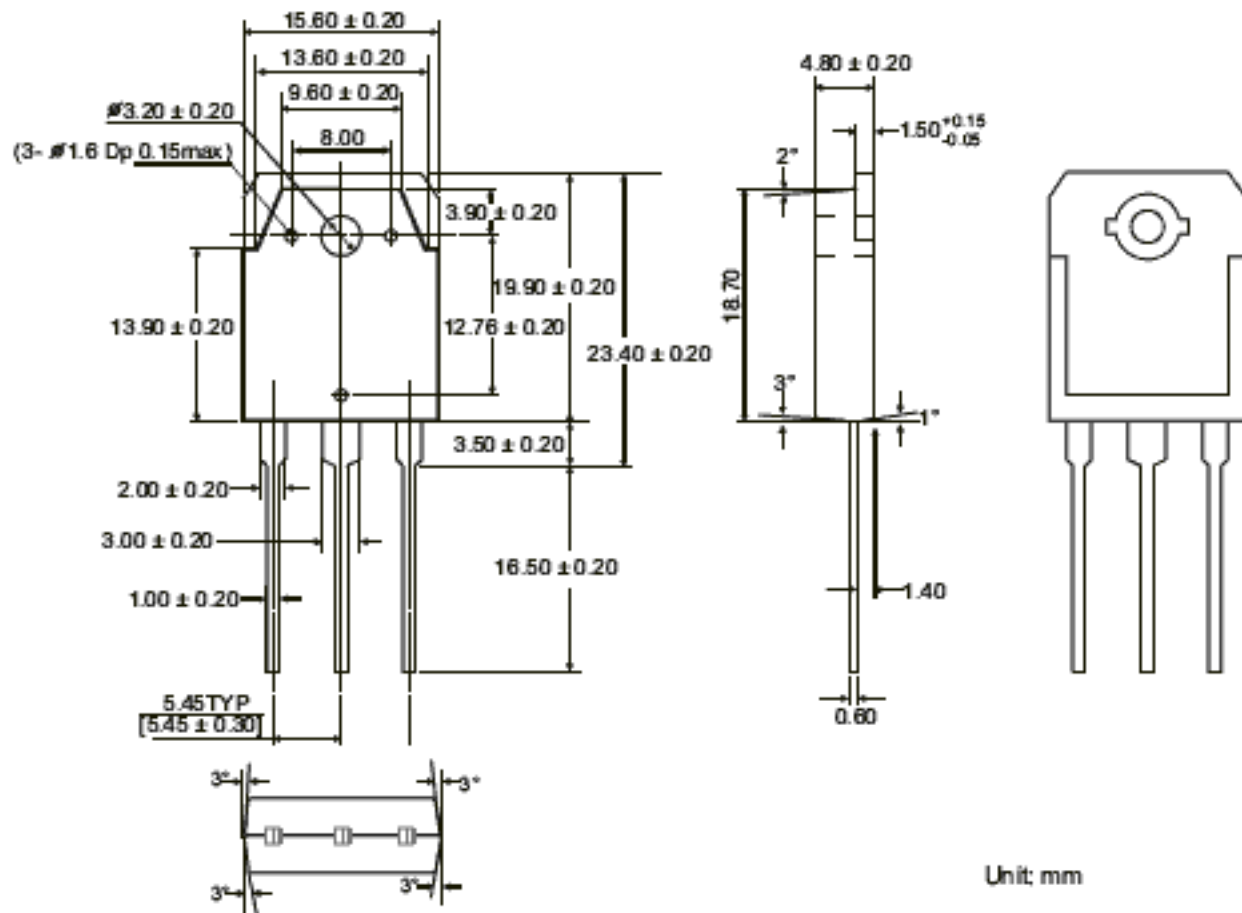
◆ TO-220AB PACKAGE OUTLINE DIMENSIONS



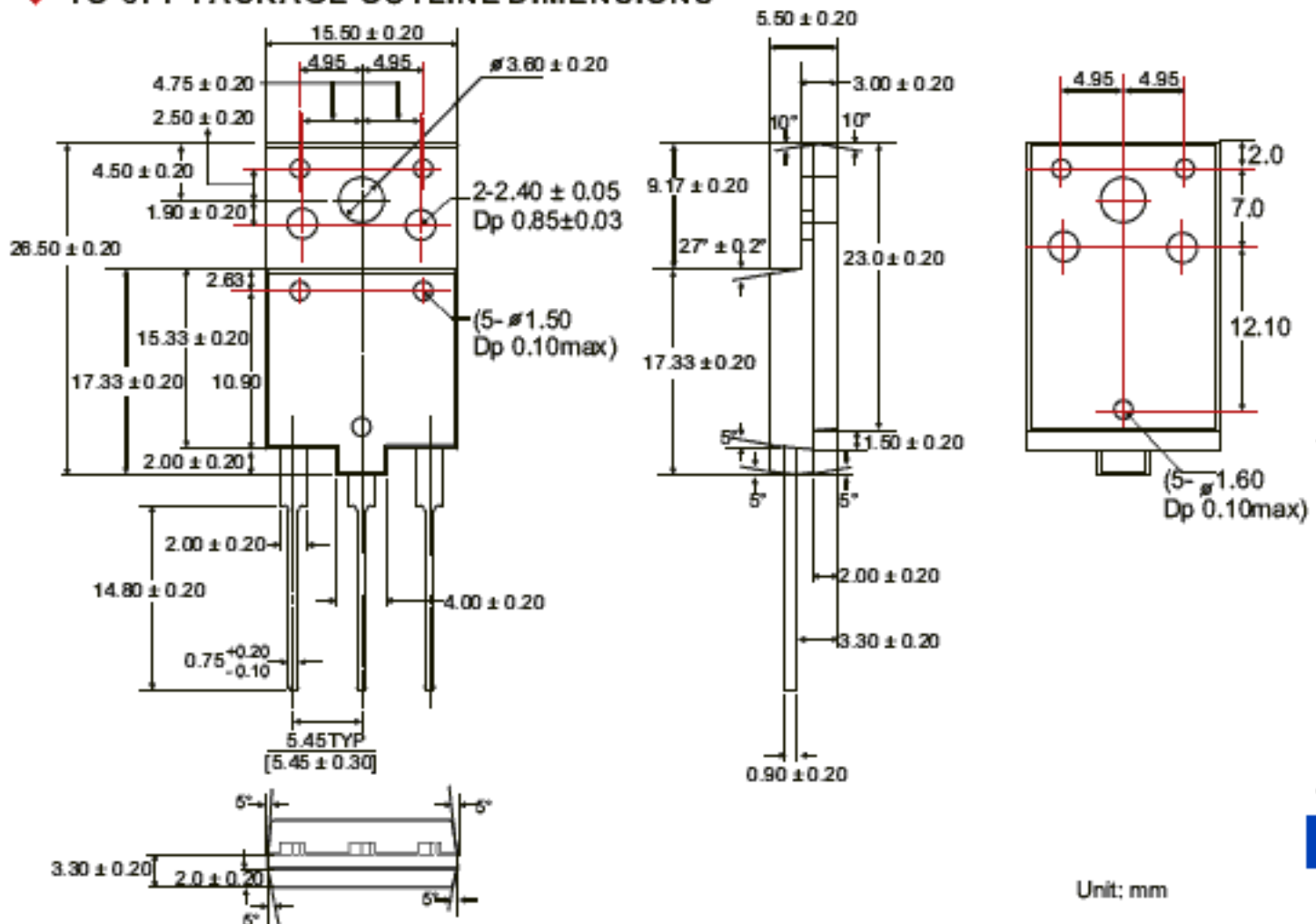
◆ TO-220FPAB PACKAGE OUTLINE DIMENSIONS



◆ TO-3P PACKAGE OUTLINE DIMENSIONS



◆ TO-3PF PACKAGE OUTLINE DIMENSIONS



◆ ORDERING NUMBER

