

HF9311

HALF-SIZE CRYSTAL CAN HIGH DIELECTRIC STRENGTH HERMETICALLY SEALED RELAY



Features

- Dielectric strength can be 1200 Vr.m.s
- Load can be 5A 28Vd.c.
- High pure nitrogen protection
- High ambient applicability
- All metal welded construction
- Hermetically welded and marked by laser

Conform to GJB1042A-2002 (Equivalent to MIL-R-5757)

AMBIENT ADAPTABILITY

| | | | |
|-------------------------|-------------------|---------------------|--|
| Ambient Grade | | I | II |
| Ambient Temperature | | -65°C to 85°C | -65°C to 125°C |
| Humidity | | | 98%, 40°C |
| Low Air Pressure | | 58.53kPa | 4.4KPa |
| Vibration Resistance | Frequency Ratings | 10Hz to 2000Hz | 10Hz to 3000Hz |
| | Acceleration | 196m/s ² | 294m/s ² |
| Shock Resistance | | 735m/s ² | 980m/s ² |
| Random Vibration | | | 40(m/s ²) ² /Hz |
| Acceleration | | | 490m/s ² |
| Implementation Standard | | | GJB1042A-2002 (MIL-R-5757) |

CONTACT DATA

| | | |
|--------------------------|------------|-----------------------------------|
| Arrangement | | 2 Form C |
| Contact Material | | Gold plated hardened silver alloy |
| Contact Resistance(max.) | Initial | 50mΩ |
| | After Life | 100mΩ |

Contact Ratings

| Ambient Grade | Contact Load | Type | Electrical Life (min.) |
|---------------|---------------|-----------|-------------------------|
| I | 5A 28Vd.c. | Resistive | 1 x 10 ⁵ OPS |
| II | 5A 28Vd.c. | Resistive | 1 x 10 ⁵ OPS |
| | 50μA 50mVd.c. | Low Level | 1 x 10 ⁵ OPS |

SPECIFICATION

| | | | |
|---|--------------------------|-------------------------|--|
| Ambient Grade | | I | II |
| Insulation Resistance (min.) | | 1000MΩ (at 500Vd.c.) | 10000MΩ (at 500Vd.c.) |
| Dielectric Strength min. (Normal condition) | Between open contacts | 500Vr.m.s. | 500Vr.m.s. |
| | Between contacts & coil | 1200Vr.m.s. | 1200Vr.m.s. |
| | Between contacts & cover | 1200Vr.m.s. | 1200Vr.m.s. |
| | Between contacts sets | 1200Vr.m.s. | 1200Vr.m.s. |
| | Between coil & cover | 1200Vr.m.s. | 500Vr.m.s. |
| Dielectric Strength min. (Low air pressure condition) | | 300Vr.m.s. | 350Vr.m.s. |
| Leakage Rate | | 1 Pa·cm ³ /s | 1 x 10 ⁻³ Pa·cm ³ /s |



HONGFA RELAY

ISO9001、ISO/TS16949、ISO14001、OHSAS18001 CERTIFIED

2007 Rev. 1.00

SPECIFICATION

| | | |
|---------------------|-----------------------------|----|
| Ambient Grade | I | II |
| Operate Time (max.) | 6ms | |
| Release Time (max.) | 4ms | |
| Mounting Style | See "Mounting styles" below | |
| Terminals | PCB, Solder | |
| Work Position | Any position | |
| Weight | 13g | |

COIL DATA

| | |
|-------------------|-------|
| Normal Coil Power | 1.2 W |
|-------------------|-------|

Coil Version

Vd.c.

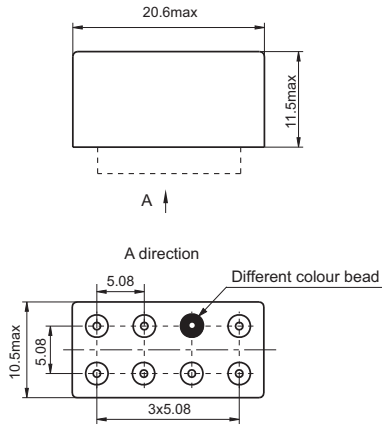
| Coi Voltage | | 25°C | | | | -65°C to 125°C | | |
|-------------|------|---------------------|------------------|----------------------|---------------------------|---------------------|------------------|----------------------|
| Nominal | Max | Pick-up Voltage max | Hold Voltage max | Drop-out Voltage min | Coil Resistance (1±10%) Ω | Pick-up Voltage max | Hold Voltage max | Drop-out Voltage min |
| 005 | 6.0 | 3.0 | 1.65 | 0.29 | 21 | 4.2 | 2.4 | 0.21 |
| 006 | 7.5 | 3.6 | 2.00 | 0.35 | 30 | 5.1 | 2.9 | 0.25 |
| 009 | 11.8 | 5.4 | 3.00 | 0.52 | 68 | 7.7 | 4.3 | 0.38 |
| 012 | 15.0 | 7.3 | 4.00 | 0.70 | 125 | 10.5 | 5.8 | 0.50 |
| 024 | 28.8 | 14.8 | 7.50 | 1.20 | 480 | 20.8 | 11.6 | 0.90 |
| 027 | 32.0 | 16.0 | 8.50 | 1.50 | 600 | 22.5 | 14.0 | 1.00 |

Notes: We can offer many kinds of of coil voltage under the requirement of users.

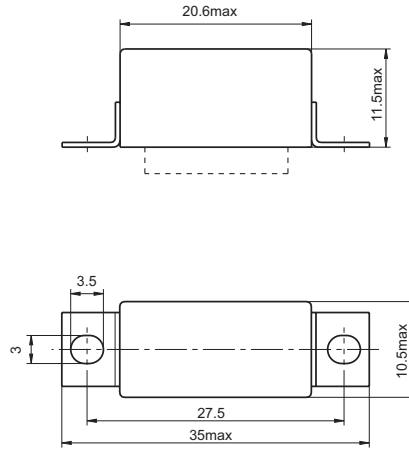
ORDERING INFORMATION

| | | | | | |
|-----------------|--|------|---|---|---|
| Type | HF9311 | -012 | 0 | 1 | I |
| Coil Voltage | 5, 6, 9, 12, 24, 27Vd.c. | | | | |
| Mounting Styles | 0, 1, 2, 3 (See " Mounting styles " below) | | | | |
| Terminals | 1, 3, 4 (See " Terminal styles " below) | | | | |
| Ambient Grade | I 、 II | | | | |

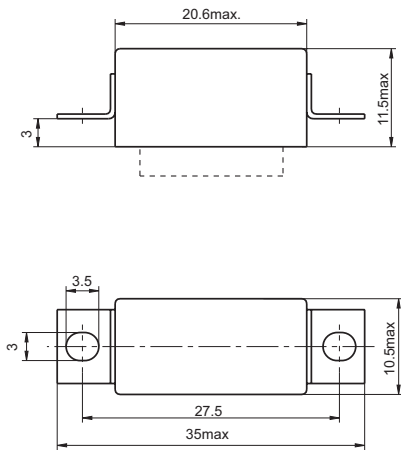
Mounting style 0



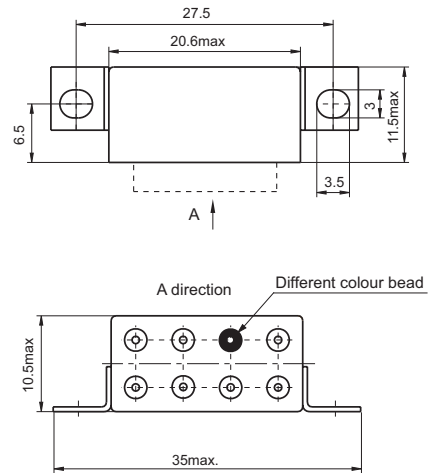
Mounting style 1



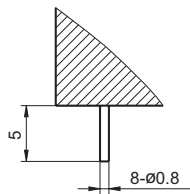
Mounting style 2



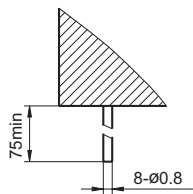
Mounting style 3



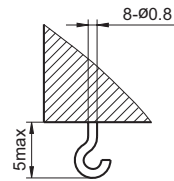
Terminal style 1



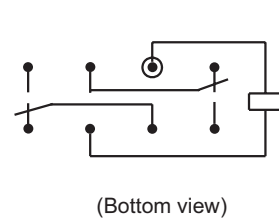
Terminal style 3



Terminal style 4



Wiring Diagram



Disclaimer

This datasheet is for the customers' reference. All the specifications are subject to change without notice. We could not evaluate all the performance and all the parameters for every possible application. Thus the user should be in a right position to choose the suitable product for their own application. If there is any query, please contact Hongfa for the technical service. However, it is the user's responsibility to determine which product should be used only.