



Integrated Device Technology, Inc.

LOW POWER 3V CMOS SRAM 1 MEG (64K x 16-BIT)

ADVANCE INFORMATION IDT71L016

FEATURES:

- 64K x 16 Organization
- Wide Operating Voltage Range: 2.7V to 3.6V
- Speed Grades: 70ns, 100ns
- Low Operating Power: 45mA (max)
- Low Standby Power: 5µA (max)
- Low-Voltage Data Retention: 1.5V (min)
- Available in a 44-pin TSOP package

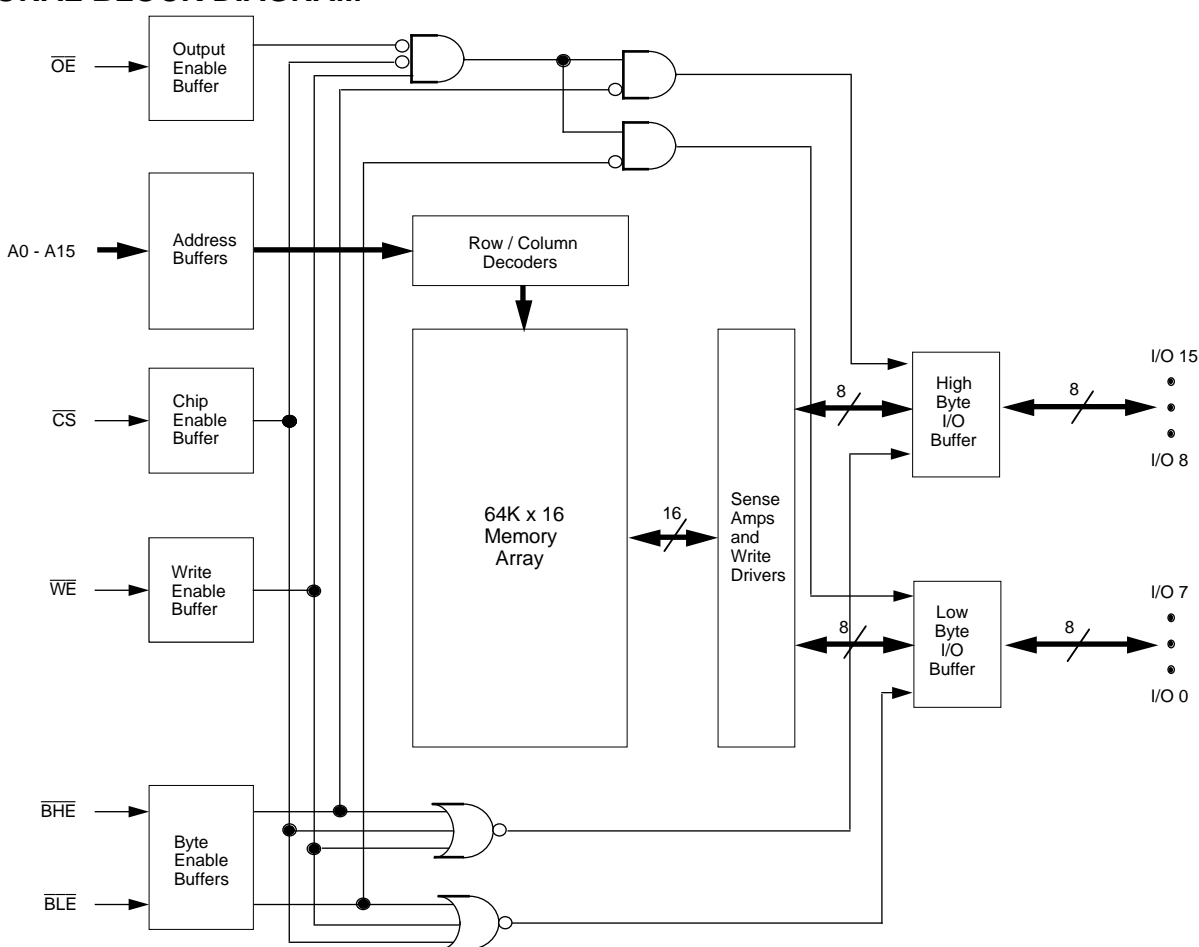
DESCRIPTION:

The IDT71L016 is a 1,048,576-bit very low-power Static RAM organized as 64K x 16. It is fabricated using IDT's high-reliability CMOS technology. This state-of-the-art technology, combined with innovative circuit design techniques, provides a cost-effective solution for low-power memory needs. It uses a 6-transistor memory cell.

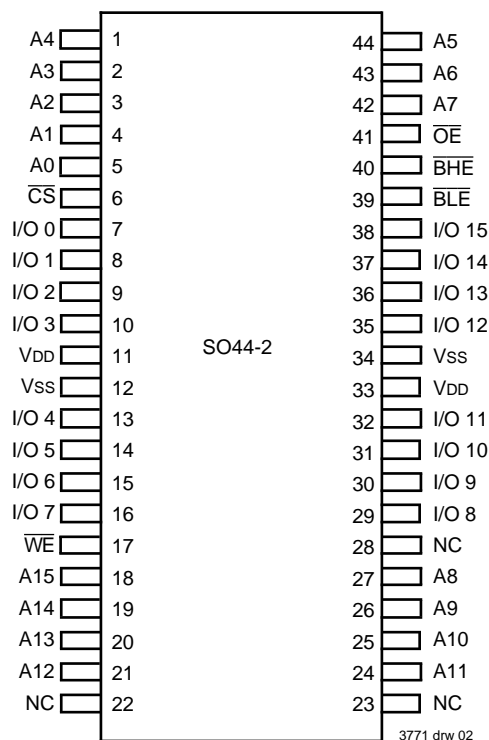
All input and output signals of the IDT71L016 are LVTTTL-compatible and operation is from a single extended-range 3.3V supply. This extended supply range makes the device ideally suited for unregulated battery-powered applications. Fully static asynchronous circuitry is used, requiring no clocks or refresh for operation.

The IDT71L016 is packaged in a JEDEC standard 44-pin TSOP Type II.

FUNCTIONAL BLOCK DIAGRAM



PIN CONFIGURATIONS



TSOP
 TOP VIEW

CAPACITANCE

(TA = +25°C, f = 1.0MHz)

Symbol	Parameter ⁽¹⁾	Conditions	Max.	Unit
C _{IN}	Input Capacitance	V _{IN} = 3dV	6	pF
C _{I/O}	I/O Capacitance	V _{OUT} = 3dV	7	pF

NOTE:

1. This parameter is guaranteed by device characterization, but not production tested.

3771 tbl 06

PIN DESCRIPTIONS

A ₀ – A ₁₅	Address Inputs	Input
\overline{CS}	Chip Select	Input
\overline{WE}	Write Enable	Input
\overline{OE}	Output Enable	Input
\overline{BHE}	High Byte Enable	Input
\overline{BLE}	Low Byte Enable	Input
I/O ₀ - I/O ₁₅	Data Input/Output	I/O
V _{DD}	Power	Pwr
V _{SS}	Ground	Gnd

3771 tbl 01

TRUTH TABLE⁽¹⁾

\overline{CS}	\overline{OE}	\overline{WE}	\overline{BLE}	\overline{BHE}	I/O ₀ -I/O ₇	I/O ₈ -I/O ₁₅	Function
H	X	X	X	X	High-Z	High-Z	Deselected - Standby
L	L	H	L	H	DATA _{OUT}	High-Z	Low Byte Read
L	L	H	H	L	High-Z	DATA _{OUT}	High Byte Read
L	L	H	L	L	DATA _{OUT}	DATA _{OUT}	Word Read
L	X	L	L	L	DATA _{IN}	DATA _{IN}	Word Write
L	X	L	L	H	DATA _{IN}	High-Z	Low Byte Write
L	X	L	H	L	High-Z	DATA _{IN}	High Byte Write
L	H	H	X	X	High-Z	High-Z	Outputs Disabled
L	X	X	H	H	High-Z	High-Z	Outputs Disabled

NOTE:

1.H = V_{IH}, L = V_{IL}, X = Don't care.

3771 tbl 02

ABSOLUTE MAXIMUM RATINGS⁽¹⁾

Symbol	Rating	Com'l. and Ind'l.	Unit
V _{TERM} ⁽²⁾	Terminal Voltage with Respect to V _{SS}	-0.5 to +4.6	V
V _{TERM} ⁽³⁾	Terminal Voltage with Respect to V _{SS}	-0.5 to V _{DD} +0.5V	V
T _{BIAS}	Temperature Under Bias	-55 to +125	°C
T _{STG}	Storage Temperature	-55 to +125	°C
P _T	Power Dissipation	1.0	W
I _{OUT}	DC Output Current	20	mA

NOTES: 3771 tbl 03

- Stresses greater than those listed under ABSOLUTE MAXIMUM RATINGS may cause permanent damage to the device. This is a stress rating only and functional operation of the device at these or any other conditions above those indicated in the operational sections of this specification is not implied. Exposure to absolute maximum rating conditions for extended periods may affect reliability.
- V_{DD} terminals only.
- Input, Output, and I/O terminals; 4.6V maximum.

RECOMMENDED OPERATING TEMPERATURE AND SUPPLY VOLTAGE

Grade	Temperature	V _{SS}	V _{DD}
Commercial	0°C to +70°C	0V	2.7V to 3.6V
Industrial	-40°C to +85°C	0V	2.7V to 3.6V

3771 tbl 04

RECOMMENDED DC OPERATING CONDITIONS

Symbol	Parameter	Min.	Typ.	Max.	Unit
V _{DD}	Supply Voltage	2.7	3.0	3.6	V
V _{SS}	Ground	0	0	0	V
V _{IH}	Input High Voltage	2.0	—	V _{DD} +0.3 ⁽¹⁾	V
V _{IL}	Input Low Voltage	-0.3 ⁽²⁾	—	0.8	V

NOTE: 3771 tbl 05

- V_{IH} (max.) = V_{DD} + 1.5V for pulse width less than 5ns, once per cycle.
- V_{IL} (min.) = -1.5V for pulse width less than 5ns, once per cycle.

DC ELECTRICAL CHARACTERISTICS

V_{DD} = 2.7V to 3.6V, Commercial and Industrial Temperature Ranges

Symbol	Parameter	Test Conditions	Min.	Max.	Unit
I _L	Input Leakage Current	V _{DD} = Max., V _{IN} = V _{SS} to V _{DD}	—	1	μA
I _{LO}	Output Leakage Current	V _{DD} = Max., \overline{CS} = V _{IH} , V _{OUT} = V _{SS} to V _{DD}	—	1	μA
V _{OH}	Output High Voltage	I _{OH} = -1mA, V _{DD} = Min.	2.4	—	V
V _{OL}	Output Low Voltage	I _{OL} = 2mA, V _{DD} = Min.	—	0.4	V

3771 tbl 07

DC ELECTRICAL CHARACTERISTICS^(1, 2)

V_{DD} = 2.7 to 3.6V, V_{LC} = 0.2V, V_{HC} = V_{DD}-0.2V, Commercial and Industrial Temperature Ranges

Symbol	Parameter	Test Conditions	Typ. ⁽⁵⁾	Max.	Unit
I _{CC2}	Dynamic Operating Current	\overline{CS} = V _{LC} , Outputs Open, V _{DD} = 3.6V, f = f _{MAX} ⁽³⁾	-70 ns	45	mA
			-100 ns	35	
I _{CC}	Static Operating Current	\overline{CS} = V _{LC} , Outputs Open, \overline{WE} = V _{HC} , V _{DD} = 3.6V, f = 0 ⁽⁴⁾	—	10	mA
I _{SB1}	Standby Supply Current	\overline{CS} = V _{HC} , Outputs Open, V _{DD} = 3.6V	-40 to 85°C	10	μA
			0 to 70°C	5	
			40°C	2	
			25°C	1	

NOTES:

- All values are maximum guaranteed values.
- Input low and high voltage levels are 0.2V and V_{DD}-0.2V respectively for all tests.
- f_{MAX} = 1/trc (all address inputs are cycling at f_{MAX}).
- f = 0 means no address input lines are changing.
- Typical conditions are V_{DD} = 3.0V and specified temperature.

3771 tbl 08

DATA RETENTION CHARACTERISTICS OVER ALL TEMPERATURE RANGES

($V_{LC} = 0.2V$, $V_{HC} = V_{DD} - 0.2V$)

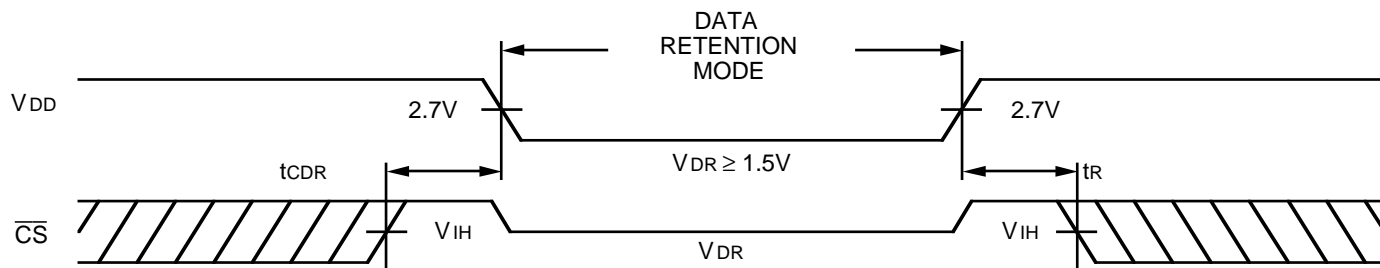
Symbol	Parameter	Test Condition	Min.	Typ. ⁽¹⁾	Max.	Unit
V_{DR}	VCC for Data Retention	—	1.5	—	—	V
I_{CCDR}	Data Retention Current	$\overline{CS} \geq V_{HC}$	—	<1	5	μA
$t_{CDR}^{(3)}$	Chip Deselect to Data Retention Time		0	—	—	ns
$t_R^{(3)}$	Operation Recovery Time		$t_{RC}^{(2)}$	—	—	ns

NOTES:

1. $T_A = +25^\circ C$.
2. t_{RC} = Read Cycle Time.
3. This parameter is guaranteed by device characterization, but is not production tested.

3771 tbl 09

LOW V_{DD} DATA RETENTION WAVEFORM



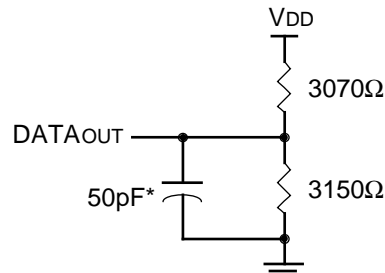
3771 drw 05

AC TEST CONDITIONS

Input Pulse Levels	GND to 2.5V
Input Rise/Fall Times	3ns
Input Timing Reference Levels	1.5V
Output Reference Levels	1.5V
AC Test Load	See Figure 1

3771 tbl 09

AC TEST LOAD



3771 drw 04

*Including jig and scope capacitance.

Figure 1. AC Test Load

AC ELECTRICAL CHARACTERISTICS ($V_{DD} = 2.7$ to $3.6V$, All Temperature Ranges)

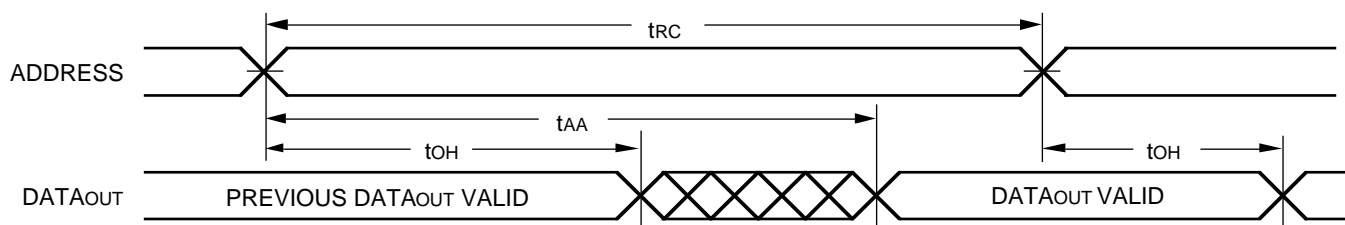
Symbol	Parameter	71L016L70		71L016L100		Units
		Min.	Max.	Min.	Max.	
Read Cycle						
t _{RC}	Read Cycle Time	70	—	100	—	ns
t _{AA}	Address Access Time	—	70	—	100	ns
t _{ACS}	Chip Select Access Time	—	70	—	100	ns
t _{CLZ} ⁽¹⁾	Chip Select Low to Output in Low-Z	10	—	10	—	ns
t _{CHZ} ⁽¹⁾	Chip Select High to Output in High-Z	—	25	—	30	ns
t _{OE}	Output Enable Low to Output Valid	—	35	—	50	ns
t _{OLZ} ⁽¹⁾	Output Enable Low to Output in Low-Z	5	—	5	—	ns
t _{OHZ} ⁽¹⁾	Output Enable High to Output in High-Z	—	25	—	30	ns
t _{OH}	Output Hold from Address Change	10	—	15	—	ns
t _{BE}	Byte Enable Low to Output Valid	—	35	—	50	ns
t _{BLZ} ⁽¹⁾	Byte Enable Low to Output in Low-Z	5	—	5	—	ns
t _{BHZ} ⁽¹⁾	Byte Enable High to Output in High-Z	—	25	—	30	ns
Write Cycle						
t _{WC}	Write Cycle Time	70	—	100	—	ns
t _{AW}	Address Valid to End of Write	65	—	80	—	ns
t _{CW}	Chip Select Low to End of Write	65	—	80	—	ns
t _{BW}	Byte Enable Low to End of Write	65	—	80	—	ns
t _{AS}	Address Set-up Time	0	—	0	—	ns
t _{WR}	Address Hold from End of Write	0	—	0	—	ns
t _{WP}	Write Pulse Width	55	—	70	—	ns
t _{DW}	Data Valid to End of Write	30	—	40	—	ns
t _{DH}	Data Hold Time	0	—	0	—	ns
t _{OW} ⁽¹⁾	Write Enable High to Output in Low-Z	5	—	5	—	ns
t _{WHZ} ⁽¹⁾	Write Enable Low to Output in High-Z	—	25	—	30	ns

NOTE:

3771 tbl 10

1. This parameter is guaranteed by device characterization, but is not production tested.

TIMING WAVEFORM OF READ CYCLE NO. 1^(1,2,3)

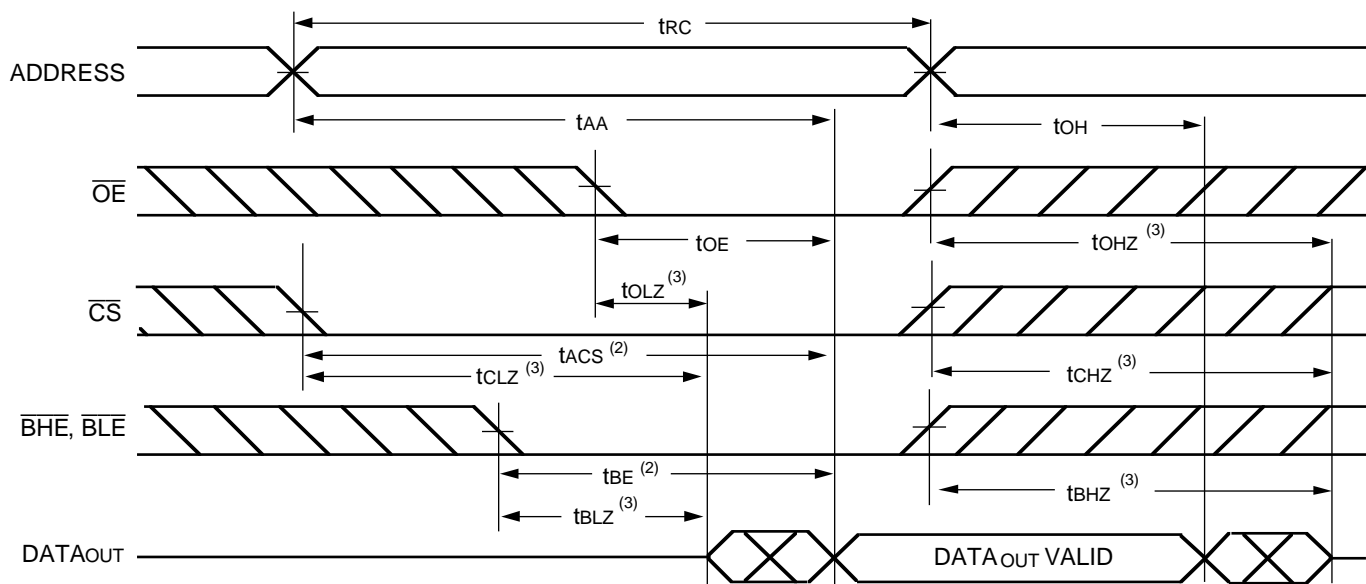


3771 drw 06

NOTES:

1. \overline{WE} is HIGH for Read Cycle.
2. Device is continuously selected, \overline{CS} is LOW.
3. \overline{OE} , \overline{BHE} , and \overline{BLE} are LOW.

TIMING WAVEFORM OF READ CYCLE NO. 2⁽¹⁾

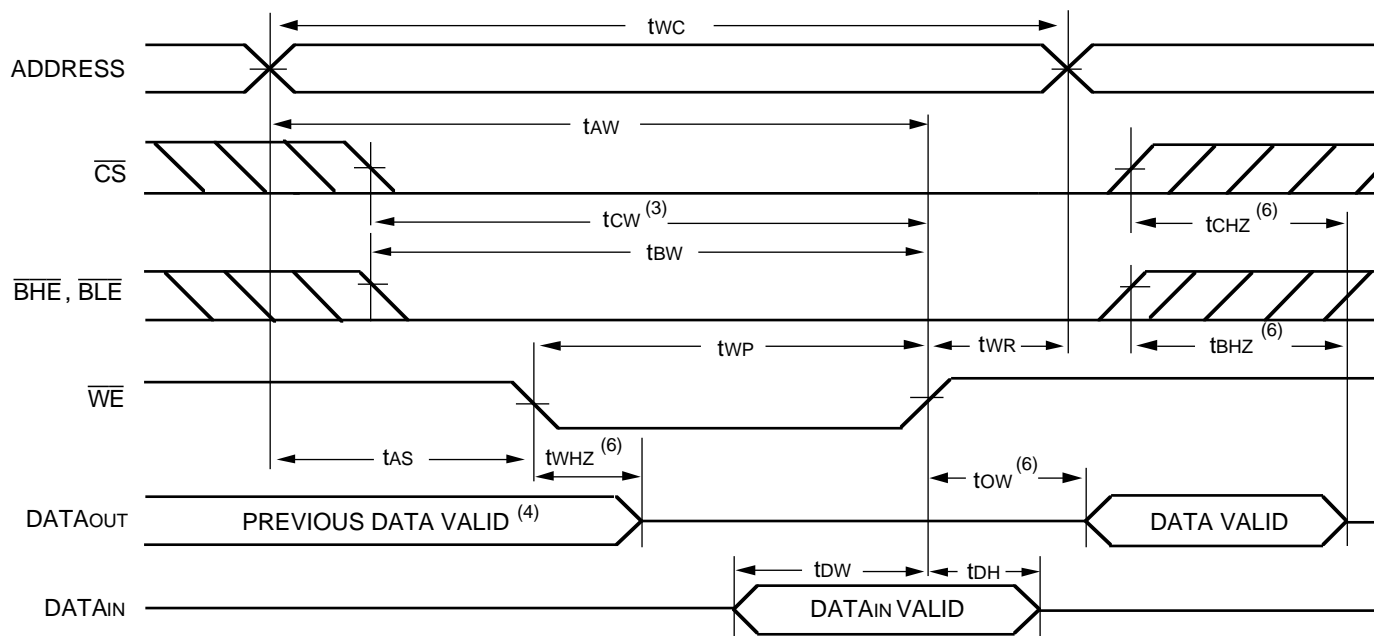


NOTES:

1. \overline{WE} is HIGH for Read Cycle.
2. Address must be valid prior to or coincident with the later of \overline{CS} , \overline{BHE} , or \overline{BLE} transition LOW; otherwise t_{AA} is the limiting parameter.
3. Transition is measured $\pm 200\text{mV}$ from steady state.

3771 drw 07

TIMING WAVEFORM OF WRITE CYCLE NO. 1 (\overline{WE} CONTROLLED TIMING)^(1,2,3,5)

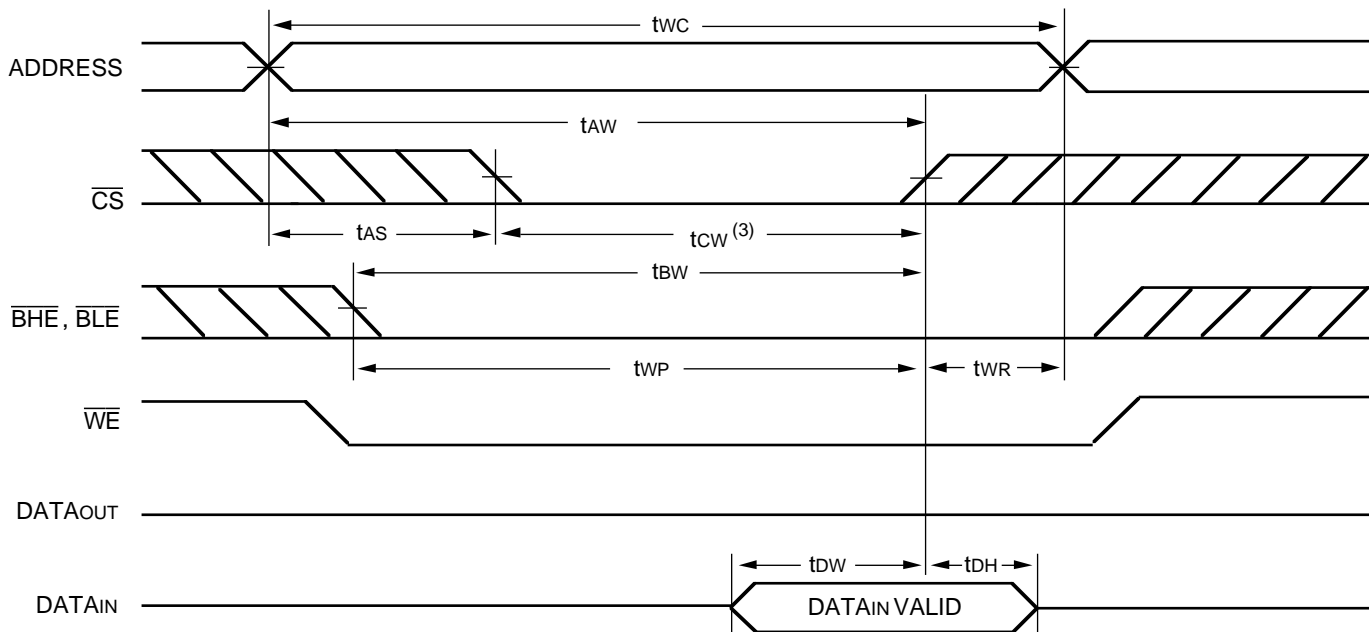


NOTES:

1. \overline{WE} or (\overline{BHE} and \overline{BLE}) or \overline{CS} must be HIGH during all address transitions.
2. A write occurs during the overlap of a LOW \overline{CS} , LOW \overline{BHE} or \overline{BLE} , and a LOW \overline{WE} .
3. \overline{OE} is continuously HIGH. If during a \overline{WE} controlled write cycle \overline{OE} is LOW, t_{WP} must be greater than or equal to $t_{WHZ} + t_{BW}$ to allow the I/O drivers to turn off and data to be placed on the bus for the required t_{DW} . If \overline{OE} is HIGH during a \overline{WE} controlled write cycle, this requirement does not apply and the minimum write pulse is as short as the specified t_{WP} .
4. During this period, I/O pins are in the output state, and input signals must not be applied.
5. If the \overline{CS} LOW or \overline{BHE} and \overline{BLE} LOW transition occurs simultaneously with or after the \overline{WE} LOW transition, the outputs remain in a high-impedance state.
6. Transition is measured $\pm 200\text{mV}$ from steady state.

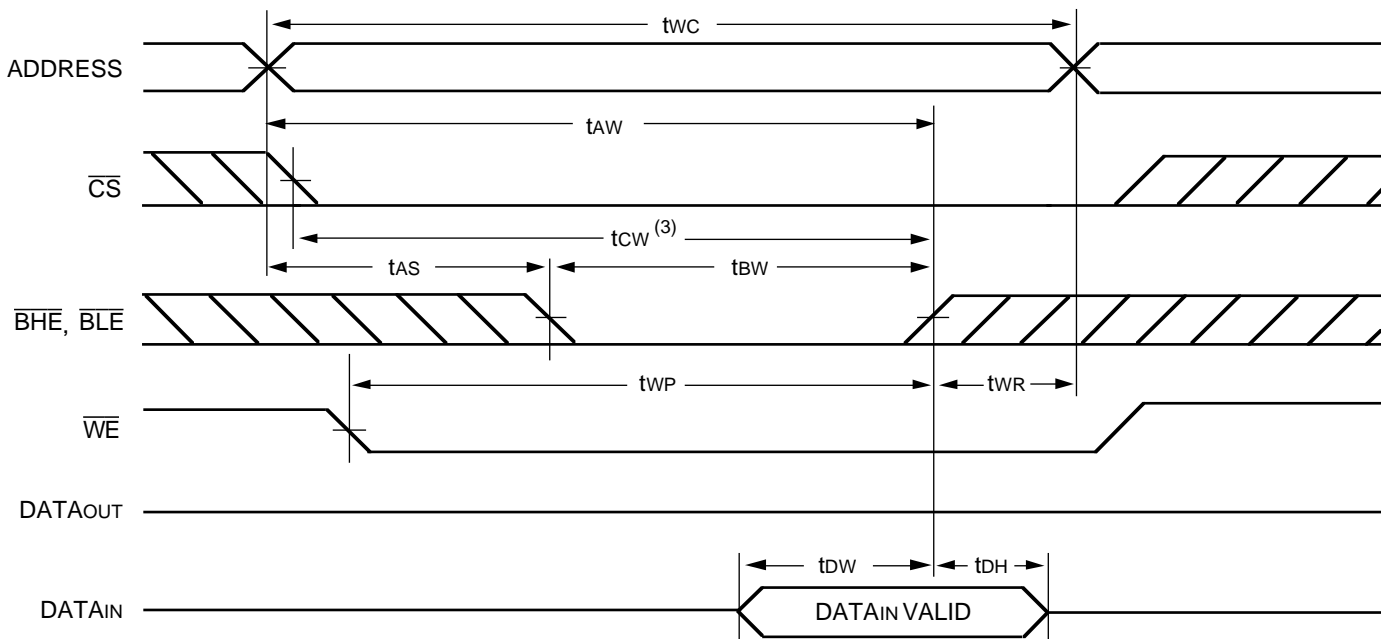
3771 drw 08

TIMING WAVEFORM OF WRITE CYCLE NO. 2 ($\overline{\text{CS}}$ CONTROLLED TIMING)^(1,2,5)



3771 drw 09

TIMING WAVEFORM OF WRITE CYCLE NO. 3 ($\overline{\text{BHE}}$, $\overline{\text{BLE}}$ CONTROLLED TIMING)^(1,2,5)

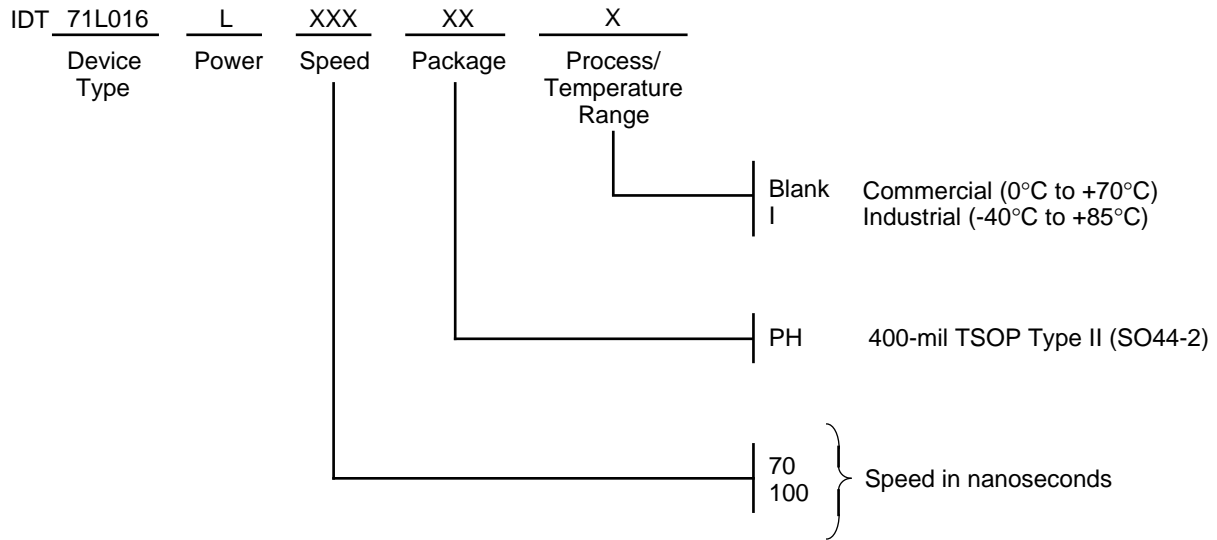


3771 drw 10

NOTES:

1. $\overline{\text{WE}}$ or ($\overline{\text{BHE}}$ and $\overline{\text{BLE}}$) or $\overline{\text{CS}}$ must be HIGH during all address transitions.
2. A write occurs during the overlap of a LOW $\overline{\text{CS}}$, LOW $\overline{\text{BHE}}$ or $\overline{\text{BLE}}$, and a LOW $\overline{\text{WE}}$.
3. $\overline{\text{OE}}$ is continuously HIGH. If during a $\overline{\text{WE}}$ controlled write cycle $\overline{\text{OE}}$ is LOW, t_{WP} must be greater than or equal to $t_{\text{WHZ}} + t_{\text{DW}}$ to allow the I/O drivers to turn off and data to be placed on the bus for the required t_{DW} . If $\overline{\text{OE}}$ is HIGH during a $\overline{\text{WE}}$ controlled write cycle, this requirement does not apply and the minimum write pulse is as short as the specified t_{WP} .
4. During this period, I/O pins are in the output state, and input signals must not be applied.
5. If the $\overline{\text{CS}}$ LOW or $\overline{\text{BHE}}$ and $\overline{\text{BLE}}$ LOW transition occurs simultaneously with or after the $\overline{\text{WE}}$ LOW transition, the outputs remain in a high-impedance state.
6. Transition is measured $\pm 200\text{mV}$ from steady state.

ORDERING INFORMATION



3771 drw 11