

KDD25 SERIES

DC-DC CONVERTER

26.5 ~ 27.2W TRIPLE OUTPUT



KDD25 - 12 T 01

WATTAGE

12 : 9~18V IN

24 : 18~36V IN

48 : 36~72V IN

01: +5V/±12V OUT

02: +5V/±15V OUT

03: +5V/+12V/-5V OUT

T : TRIPLE OUTPUT

MODEL LIST

MODEL NO.	INPUT VOLTAGE	OUTPUT WATTAGE	OUTPUT VOLTAGE	OUTPUT CURRENT	EFF. (MIN.)	CASE
Triple Output Models						
KDD25 - 12T01	9~18 VDC	27.2 WATTS	+5V/±12V	+4000/±300 mA	76%	C
KDD25 - 12T02	9~18 VDC	26.5 WATTS	+5V/±15V	+3500/±300 mA	77%	C
KDD25 - 24T01	18~36 VDC	27.2 WATTS	+5V/±12V	+4000/±300 mA	77%	C
KDD25 - 24T02	18~36 VDC	26.5 WATTS	+5V/±15V	+3500/±300 mA	78%	C
KDD25 - 24T03	18~36 VDC	25.1 WATTS	+5V/+12V/-15V	+4000/+300/-300 mA	78%	C
KDD25 - 48T01	36~72 VDC	27.2 WATTS	+5V/±12V	+4000/±300 mA	78%	C
KDD25 - 48T02	36~72 VDC	26.5 WATTS	+5V/±15V	+3500/±300 mA	79%	C
KDD25 - 48T03	36~72 VDC	25.1 WATTS	+5V/+12V/-15V	+4000/+300/-300 mA	79%	C

FEATURES

- * 2:1 INPUT RANGE
- * ISOLATION INPUT AND OUTPUT 1.5KV DC
- * HIGH PERFORMANCE UP TO 79%
- * SHORT CIRCUIT PROTECTION
- * 2 YEARS WARRANTY



SPECIFICATION

All Specifications Typical At Nominal Line, Full Load, 25°C Unless Otherwise Noticed

GENERAL SPECIFICATION

- * Switching frequency: >80KHz
- * Isolation voltage: 1,500VDC
- * Isolation resistance: >1G Ω(min.)
- * Operating ambient temperature: -25 to +71°C
- * Storage temperature: -40 to +85°C
- * Max. Case temperature: 85°C
- * M.T.B.F.: 389,000Hrs at @ GF40, according to MIL-HDBK-217F
- * Cooling: Free air convection
- * Transient recovery time: 500μS, 25% load step change
- * Temperature coefficient: ±0.02% / °C
- * Dimension: 70 x 100 x mm

INPUT SPECIFICATIONS

- * Input voltage range / frequency: 9 ~ 18VDC for 12V
18 ~ 36VDC for 24V
36 ~ 72VDC for 48V
- * Input filter: Pi type

OUTPUT SPECIFICATIONS

- * Output voltage accuracy: ±2%
±3% for -5V_out
- * Minimum load: ±20%
- * Line regulation: ±1% at Vo_nom
- * Load regulation: ±2% for +5V
±5% for ±12V & ±15V & +12V/±15V
- * Ripple & noise: 20MHZ BM, Vout x ±1% mV p-p
150mV p-p for -5Vout
- * Efficiency: Up to 79%, see model list
- * Derating: See table 1
- * Case material: Metal

CONTROL AND PROTECTION

- * Output short circuit: Continuous



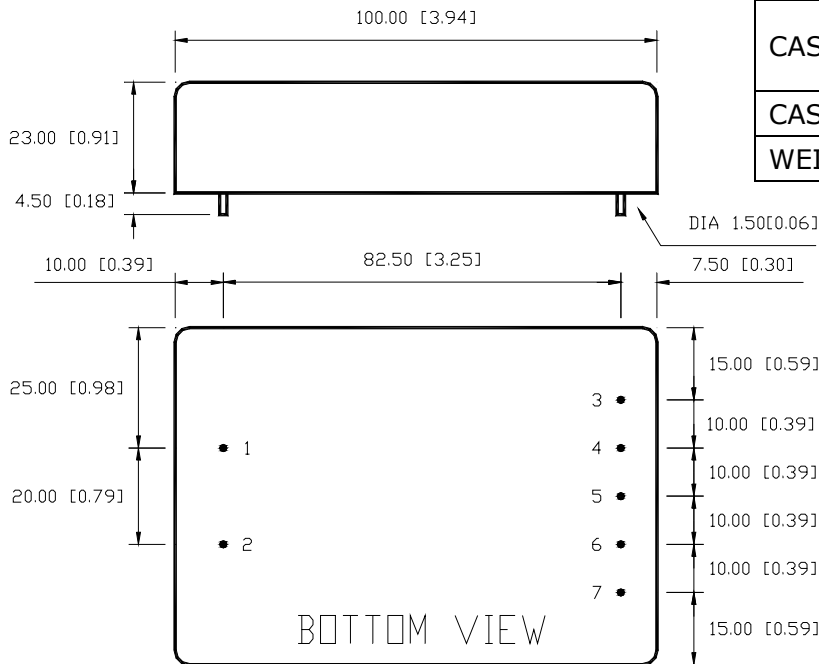
KDD25 SERIES

DC-DC CONVERTER

26.5 ~ 27.2W TRIPLE OUTPUT

MECHANISM & PIN CONFIGURATION

mm [inch]



PHYSICAL CHARACTERISTICS

CASE SIZE	70 x 100 x 23mm 2.76 x 3.94 x 0.91inches
CASE MATERIAL	Metal
WEIGHT	270 g

PIN ASSIGNMENT

PIN NO.	1	2	3	4	5	6	7
TRIPLE	Vi+	Vi-	+5V OUT	com	Vo+	com	Vo-

Derating:

[TABLE 1]

