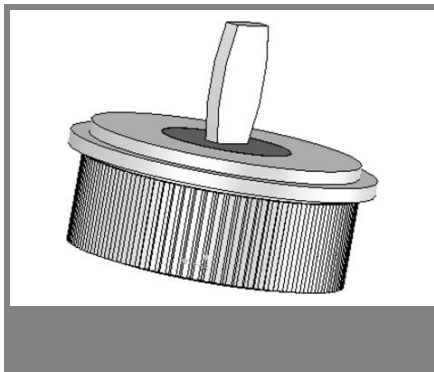


KYZ 25A05 ... KYZ 25K6



Type	Wired to ANODE	Wired to CATHODE	Repetitive peak reverse voltage V_{RRM} V	Surge peak reverse voltage V_{RSM} V	Maximum forward voltage $T_j = 25\text{ }^\circ\text{C}$ $I_F = 25\text{ A}$ V_F V
KYZ 25	KYZ 25A05	KYZ 25K05	50	60	1,1
KYZ 25	KYZ 25A1	KYZ 25K1	100	120	1,1
KYZ 25	KYZ 25A2	KYZ 25K2	200	240	1,1
KYZ 25	KYZ 25A3	KYZ 25K3	300	360	1,1
KYZ 25	KYZ 25A4	KYZ 25K4	400	480	1,1
KYZ 25	KYZ 25A6	KYZ 25K6	600	700	1,1

Silicon Press-Fit-Diodes

KYZ 25A05...KYZ 25K6

Forward Current: 25 A

Reverse Voltage: 50 to 600 V

Publish Data

Features

- max. solder temperature 260 °C, max. 5s

Mechanical Data

- Metal press-fit case with glass seal
- Weight approx. 10 g
- Standard packaging: bulk
- Mounting position: any

Absolute Maximum Ratings		$T_c = 25\text{ }^\circ\text{C}$ unless otherwise specified	
Symbol	Conditions	Values	Units
I_{FAV}	Max. averaged fwd. current, R-load, $T_c = 100\text{ }^\circ\text{C}$	25	A
I_{FRM}	Repetitive peak forward current $f > 15\text{ Hz}^{1)}$	80	A
I_{FSM}	Peak fwd. surge current 50 Hz half sinus-wave	270	A
I^2t	Rating for fusing, $t < 10\text{ ms}$	375	A ² s
R_{thA}	Thermal resistance junction to case	1	K/W
T_j	Operating junction temperature	- 50 ... + 175 °C	°C
T_s	Storage temperature	- 50 ... + 175 °C	°C

Characteristics		Values	Units
Symbol	Conditions	Values	Units
I_R	Maximum leakage current, $T_A 25\text{ }^\circ\text{C}$; $V_R = V_{RRM}$	100	μA

