

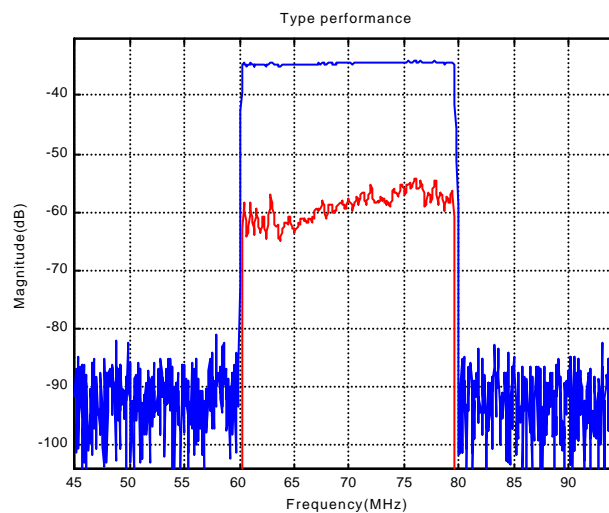


LBN7057 SAW Filter Electrical Characteristic

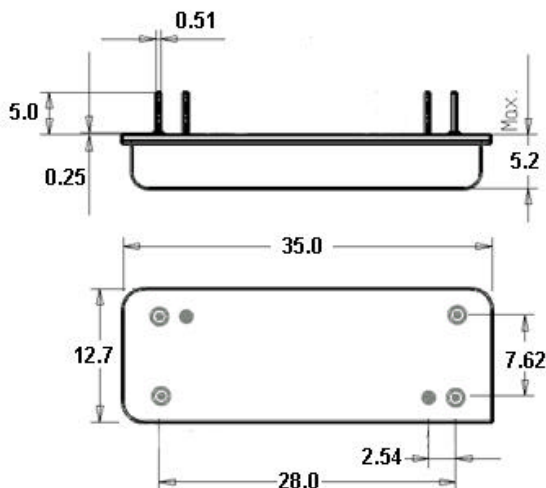
Specifications

Parameter	Unit	Minimum	Typical	Maximum
Center Frequency	MHz	69.95	70	70.05
Insertion Loss	dB		34.5	35.5
3 dB Bandwidth	MHz	19.2	19.28	
40 dB Bandwidth	MHz		19.88	20
Passband variation	dB		0.9	1.5
Absolute Delay	usec		3.89	
Ultimate Rejection	dB	45	50	
Substrate Material		YZ LN		
Ambient Temperature	°C	25		
Package Size		DIP3512 (35x12.7x5.2mm ³)		

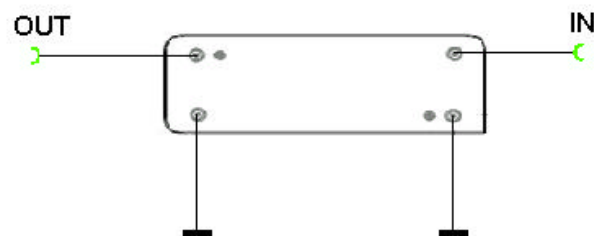
Typical Performance



Package Outline



Matching Configuration



Source/Load Impedance = 50 ohm