



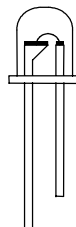
12V 3/5  $\phi$  CAR USE  
BLINKING LED

12V 3/5  $\phi$  (汽车)  
LED 闪烁 IC

LED FLASH	
M1141	

### FEATURES 功能叙述

- 1.5 / 2.4 Hz flash rate available.
- Mask option for duty cycle and flash rate.
- Gold plating : suffix-G.



P/N	Hz	DUTY
M1141-1	1.2	1/4
M1141-2	2.4	1/4
M1141-3	1.5	1/8
M1141-4	2.4	1/8

### APPLICATION 产品应用

- Blinking LED, Function indicator, Xmas decoration etc..

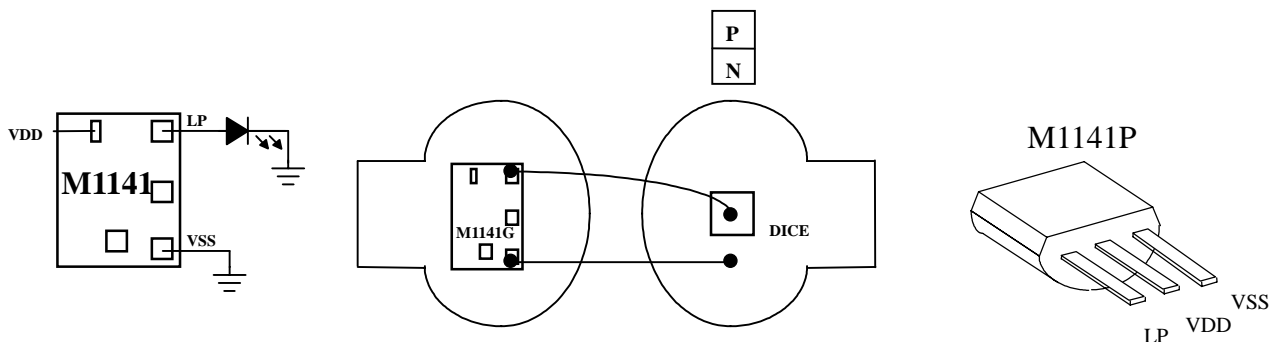
### ELECTRICAL CHARACTERISTICS 电气规格

( @V<sub>DD</sub>=12V unless otherwise specified )

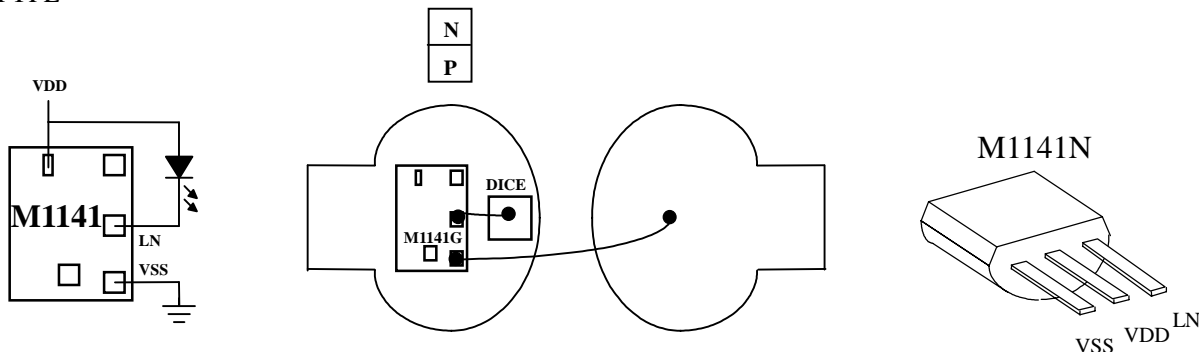
Characteristics	Sym.	Min.	Typ.	Max.	Unit	REMARKS
工作电压 Operating Voltage	V <sub>DD</sub>	3	12	13	V	
工作电流 Operating Current	I <sub>OP</sub>	—	0.1	0.5	mA	No load
静态电流 Quiescent Current	I <sub>SB</sub>	—	—	—	$\mu$ A	
推动电流 Driving Current	I <sub>OL</sub>	—	200	—	mA	
振荡频率 Oscillator Frequency	F <sub>OSC</sub>	—	72	—	KHz	$\pm$ 30% TOL.
工作温度 Operating Temperature	Temp.	0	25	60	$^{\circ}$ C	

### APPLICATION DIAGRAM 参考电路图

#### (1) SOURCE TYPE



#### (2) SINK TYPE



\*IC CHIP  $\sim$  0.83 X 0.72 mm<sup>2</sup>, substrate to VDD.

\*All specs and applications shown above subject to change without prior notice.

( 以上电路及规格仅供参考,本公司得径行修正 )



~ 華半導體股份有限公司  
MOSDESIGN SEMICONDUCTOR CORP.

TAIPEI : TEL : 886-2- 22783733

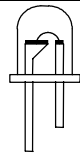
FAX : 886-2- 22783633

H.K. : TEL : 852- 27569109

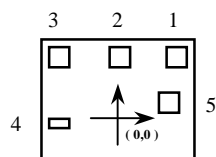
FAX : 852- 27566961

12V 3/5  $\phi$  CAR USE  
BLINKING LED

12V 3/5  $\phi$  (汽车)  
LED 闪烁 IC

LED FLASH	
M1141	

### PAD ASSIGNMENT & POSITION



UNIT :  $\mu\text{m}$

No.	NAME	X	Y
1	VSS	277.5	222.5
2	LN	10	222.5
3	LP	-277.5	222.5
4	VDD	-271	-85
5	OSC	251	20.5

\* CHIP SIZE ~ 0.83 x 0.72 mm<sup>2</sup>

\* IC substrate should be connected to VDD in PCB (PCB 上 IC 必须接 VDD)