

Dolby Digital Decoder
M65863FP

Product Note

April 1998

MITSUBISHI ELECTRIC CORPORATION

Chapter 1

Features

This Audio Decoder for Dolby Digital (AC-3)^{*1} M65863FP is a single device. The device decodes AC-3 bitstreams into PCM audio. Dolby Digital (AC-3) is a multi-channel audio coding algorithm developed by Dolby Laboratories, Inc.

- Decoding
 - 1) 5.1 ch AC-3 bitstream
 - 2) Dolby Pro Logic^{*1} encoded 2ch Dolby Digital (AC-3) bitstream
 - 3) Dolby Pro Logic encoded 2ch PCM data
- All input combinations from 1 to 5.1 channels
- Output : mono 5.1 surround
- Sampling rates : 32kHz, 44.1 kHz, 48 kHz and 96 kHz (96 kHz is for linear PCM only)
- Supports a maximum bit rate of 640 kbps at a full service (up to 448 kbps when 32 kHz sampling rates)
- 2 DIR (Digital Audio Interface Receiver)/ADC input interfaces
- Serial input bitstream interface for DEMUX
- PCM output interface
Standard 3-wire DAC output interface (data,clock,LR clock), 16/18/20/24 bit DAC word size
- Supports IEC958 digital audio output for Dolby Digital (AC-3) data stream
- I²C² interface and clocked serial (4 line) interface for host microcontroller
- Generates audio test noise
- 2nd DSP I/F (twice higher PCM transfer rate)
- Controllable dynamic range compression
- Programmable center and surround channel delays
- Dialogue level control
- No external memory required (M65863FP does not have memory space for surround delay)

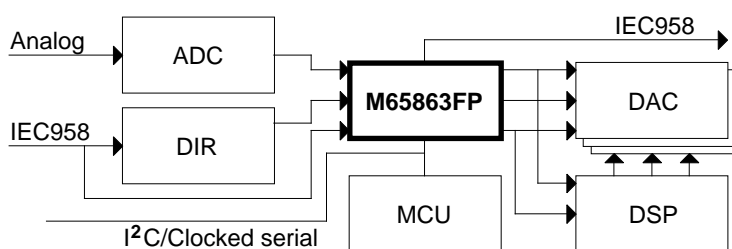


Figure 1.1 M65863FP Configuration Diagram (DIR I/F)

*1 Dolby, Dolby Digital (AC-3), and Pro Logic are registered trademarks of Dolby Laboratories Licensing Corp. Available only to licensees of Dolby Laboratories Licensing Corporation, San Francisco, CA 94111, USA, (415) 558-0200, from whom licensing and application information must be obtained.

*2 Phillips Semiconductors, "I²C bus specification", January, 1992

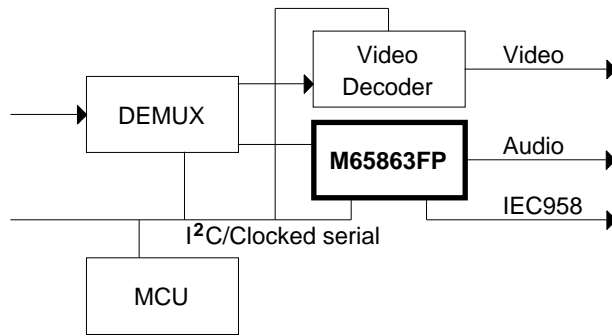


Figure 1.2 M65963FP Configuration Diagram (DEMUX I/F)

Chapter 3

Input/Output Pins

Table 3.1 shows input/output pins. "low active" pins are added "_" to tail of pin name (ex. _AERR).

Table 3.1 Input/Output Pins

Pin No.	Pin Name	Pins	I/O	Out	Voltage	Description
1	VDD5V	7	-			Voltage supply 5V (I/O)
2	ASOUT	1	I/O	2mA	D5	Indication of audio data output timing (main chip output / sub chip input)
3	CDATA	1	I/O	2mA	D5	Dynamic range compression data input from sub chip / output to main chip
4	CCLK	1	I/O	2mA	D5	Dynamic range compression data transfer clock input from sub chip / output to main chip
5	RSYCREQ	1	O	2mA	D5	Indication of sync word lock condition
6	SYNCRST	1	I		D5	Sync word detection start signal
7	ADVLDS	1	I		D5	Indication of valid data
8	ADATAS	1	I		D5	Data input from DEMUX
9	ACLKS	1	I		D5	Clock input from DEMUX
10	VDD3V	3	-			Voltage supply 3.3V
11	GND	7	I			GND
12	VDD5V					
13	ADREQ	1	O	2mA	D5	Data Request for DEMUX
14	AMUTE	1	I		D5	Mute sound0 (0 : Mute ON, 1 : Mute OFF)
15	DOTX	1	O	2mA	D5	Digital audio interface IEC958 output
16	DIRX	1	I		D5	Digital audio interface IEC958 input
17	ALRCK1	1	I		D5	L/R clock from DIR/ADC
18	ACLK1	1	I		D5	Data from DIR
19	ADATA1	1	I		D5	Bit clock from DIR/ADC
20	GND					
21	VDD5V					
22	DEMPH	1	I		D5	De-emphasis control
23	ALRCK2	1	I		D5	L/R clock from DIR/ADC
24	ACLK2	1	I		D5	Bit clock from DIR
25	ADATA2	1	I		D5	Data from DIR
26	MCLKI	1	I		D5	Audio master clock input
27	GND					
28	VDD5V					
29	MCLKO	1	I		D5	Audio master clock output
30	HMCLKO	1	I		D5	Audio master clock output (1/2MCLKI)
31	DOLR	1	O	2mA	D5	PCM output for L ch and R ch
32	DOCW	1	O	2mA	D5	PCM output for C channel SW ch
33	DOSS	1	O	2mA	D5	PCM output for SL ch and SR ch

Pin No.	Pin Name	Pins	I/O	Out	Voltage	Description
34	GND					
35	VDD5V					
36	BCLK	1	O	4mA	D5	Bit clock for PCM output
37	LRCK	1	O	4mA	D5	LR clock for PCM output
38	2LRCK	1	O	2mA	D5	LR clock for 2nd DSP
39	2BCLK	1	O	2mA	D5	Bit clock for 2nd DSP
40	VDD3V					
41	PLLGND	1	-			GND for PLL
42	PVCO	1	O		P3.3	Processor clock output for crystal
43	PCLK	1	I		P3.3	Processor clock input
44	PLL1	1	I/O			
45	PLL2	1	I/O			
46	PLL3	1	I/O			
47	PLLVCC	1	-		P3.3	VDD for PLL
48	GND					
49	GND					
50	GND					
51	GND					
52	MCLSI[0]	2	I		D5	Selection of audio master clock ([0:1] = 00 : 512fs, 01 : 384fs, 10 : 256fs, 11 : Reserved)
53	MCLSI[1]					
54	VDD3V					
55	VDD5V					
56	RST	1	I		D5	Reset
57	CHIPMOD	1	I		D5	Chip mode
58	DECSTAT	1	O	2mA	D5	Decode status (Normal : 1, Error : 0)
59	GND					
60	DIRSTAT	1	O	2mA	D5	(AC-3 : 1, PCM : 0)
61	MCUSEL	1	I		D5	MCU I/F Selection (Clocked serial : 0, I2C : 1)
62	VDD5V					
63	NC/SS	1	I		D5	
64	ADR/SO	1	O	4mA	D5	
65	HSDA/SI	1	I/O	4mA	D5	
66	HSCL/SCK	1	I/O	4mA	D5	
67	GND					
68	GND					

Note) D5 : Digital 5V I/O
P3.3 : PLL oscillation I/O

<Audio input interface>

ACLK1 Bit clock input for DIR/ADC input (Line 1).
 ADATA1 Data input for DIR/ADC interface (Line 1). Latched at the rising edge of ACLK1.
 ALRCK1 LR clock input for DIR/ADC interface (Line 1).
 ACLK2 Bit clock input for DIR/ADC input (Line 2).
 ADATA2 Data input for DIR/ADC interface (Line 2). Latched at the rising edge of ACLK2.
 ALRCK2 LR clock input for DIR/ADC interface (Line 2)
 ACLKS Clock for DEMUX interface.

ADATAS	Data input for DEMUX interface. Latched at the rising edge of ACLKS.
_AVLDS	Data enable instruction for DEMUX interface. Data is input when this signal is enabled (0).
_ADREQ	Used in the data transmission control of DEMUX interface.
SYNCRST	Synchronization lock cancel signal. M65863FP starts detecting sync word when this signal is disabled.
RSYCREQ	SYNCRST request signal which is enabled when M65863FP comes out of synchronization.
_AMUTE	Audio mute output signal. Output is muted when this signal is enabled (0). This signal is valid for both DIR/ADC interface and DEMUX interface.

<Audio output interface>

DOLR	PCM output terminal. When control register dspif is 0, L and R channel data are output. When dspif is 1, L, R, C and SW channel data are output.
DOCW	PCM output terminal. When control register dspif is 0, C and SW channel data are output. When dspif is 1, SL and SR channel data are output.
DOSS	PCM output terminal. When control register dspif is 0, SL and SR channel data are output.
BCLK	Bit clock output.
LRCK	LR clock output.
2BCLK	Double-rate bit clock. Used in DSP interface.
2LRCK	Double-rate LR clock. Used in DSP interface.

<Main/Sub Chip interface>

CHIPMOD	Specifies the chip mode. Decodes the main service when 0, and decodes the associate service when 1. Select decoding of main service when it is not necessary to decode dual streams.
CCLK	Transmission clock used in data transmission between main and sub chips during dual-stream decoding. Sub chip becomes the clock master. This is valid only when control register asmix is 1.
CDATA	Data transmission line from sub chip to main chip during dual-stream decoding. This is valid only when control register asmix is 1.
ASOUT	Synchronization signal for dual-stream output. CCLK, CDATA and ASOUT terminals may be open when dual-stream decoding is not required (when control register asmix is 0).

<MCU interface>

MCUSEL	Selects which of synchronized serial and I ² C is to be used as MCU interface. Synchronized serial is selected when this is 0, and I ² C is selected when 1.
HSCL/SCK	Becomes data transmission clock input in either case of I ² C or synchronized serial.
HSDA/SI	Becomes data input/output terminal in the case of I ² C, and data input terminal in the case of synchronized serial.
ADR/SO	Becomes chip address selection terminal in the case of I ² C, and data output terminal in the case of synchronized serial.
_NC/SS	Becomes enable signal in the case of synchronized serial. In the case of I ² C, this may be left open because it is not used.

<Audio master clock>

MCLKI	Audio master clock input.
MCLSI [0:1]	Indicates whether the audio master clock which is input from MCLKI is 512 fs, 384 fs or 256 fs. Only 384 fs or 256 fs can be selected when the sampling frequency is 96kHz.
MCLKO	Audio master clock output which gives MCLKI as through-output.

HMCLKO Audio master clock output which gives MCLKI at 1/2-divided frequency.

<Dolby Digital encoded data input/output>

DIRX Digital audio interface IEC958 input.

DOTX Digital audio interface IEC958 output.

<Others>

DEMPH Enabled when control register demph is 10, turning de-emphasis ON when this is 0, and de-emphasis OFF when 1.

DECSTAT Indicates the current decoding status: 1 during normal decoding and 0 at a time of error.

DIRSTAT Indicates the current DIR input stream: 1 in the case of Dolby Digital AC-3 input, 0 in the case of PCM input.

Chapter 4

Registers

Table 4.1 shows the registers overview.

Table 4.1 Registers Overview

Register	Byte	Description
Dolby Digital (AC-3) Bitstream Information	13	<ul style="list-style-type: none"> • Synchronization Information • Bitstream Information
IEC958 Burst Information	1	<ul style="list-style-type: none"> • IEC958 Burst Information
Status	6	<ul style="list-style-type: none"> • CRC Result • Synchronization Condition • Pointer to the input buffer
Control	36	<ul style="list-style-type: none"> • I/O Signals Control • Decoding Status Control • Channel delay control • Dynamic Range Control • Pro Logic Control • Calibration Noise Control • Mute Control • IEC958 Category code input
Test	1	<ul style="list-style-type: none"> • Monitor of overflow and underflow

- Register Address

Dual stream (main effect and Associate service) can be decoded with 2 M65863FP. In the case, the register addresses for a main chip (which decodes main effect) and those for a sub chip (which decodes associate service) are different.

In the following sections, only the register address for a main chip will be shown. For a sub chip you should add h'40 to the corresponding register address for a main chip. For a example, the address of the control register "synclock" is h'14 for a main chip and h'54 for a sub chip. In this may, the address range will be following.

- Main chip : h'00~h'3f
- Sub chip : h'40~h'7f

4.1 Dolby Digital (AC-3) Bitstream Information Registers

Table 4.2 shows Dolby Digital (AC-3) bitstream information registers.

Table 4.2 Dolby Digital (AC-3) Bitstream Information Registers

bit	0	1	2	3	4	5	6	7	R/W	
h'00	frmsizecod					fscod			R	
h'01	bsmod			bsid					R	
h'02	origbs	copyrightb	lfeon	dsurmod		acmod			R	
h'03	compre	dynrng		dialnorm					R	
h'04	compr									R
h'05	langcod									R
h'06	dynrng									R
h'07	audprodi	roomtyp					mixlevel		R	
h'08	compr2e	dynrng2e					dialnorm2		R	
h'09	compr2									R
h'0A	langcod2									R
h'0B	dynrng2									R
h'0C	audprodi2e	roomtyp2					mixlevel2		R	

address h'00

Sample Rate Code (fscod)

2 bits

This field indicates sampling rate according to the following table.

fscod	Sampling Rate
0 0	48 kHz
0 1	44.1 kHz
1 0	32 kHz
1 1	Reserved

Frame Size Code(frmsizecod)

6 bits

This field indicates nominal bit rate. This code is used along with the sample rate code to determine the number of bytes per frame.

address h'01

Bitstream Identification (bsid)

5 bits

This field contains the version number of the coder syntax.

M65863FP only supports 0 to 8.

Bitstream Mode(bsmod)

3 bits

This field indicates the type of service that the bitstream conveys as defined by the following table.

bsmod	acmod	Type of Service
0 0 0	any	Main audio service : complete main (CM)
0 0 1	any	Main audio service : music and effects (ME)
0 1 0	any	Associated service : visually impaired (VI)
0 1 1	any	Associated service : hearing impaired (HI)
1 0 0	any	Associated service : dialogue (D)
1 0 1	any	Associated service : commentary (C)
1 1 0	any	Associated service : emergency (E)
1 1 1	0 0 1	Associated service : voice-over (VO)
1 1 1	0 1 0 ~ 1 1 1	Main audio service : karaoke

address h'02

Audio Coding Mode (acmod)

3 bits

This field indicates channel array for audio service.

acmod	Audio Coding Mode	Channel Array Ordering
0 0 0	1+1	[Ch1,Ch2]
0 0 1	1/0	[C]
0 1 0	2/0	[L,R]
0 1 1	3/0	[L,C,R]
1 0 0	2/1	[L,R,S]
1 0 1	3/1	[L,C,R,S]
1 1 0	2/2	[L,R,SL,SR]
1 1 1	3/2	[L,C,R,SL,SR]

Dolby Surround Mode (dsurmod)

2 bits

When acmod is 010, these bits indicate whether or not the program has been encoded in Dolby Surround.

dsurmod	Indication
0 0	Not indicated
0 1	NOT Dolby Surround encoded
1 0	Dolby Surround encoded
1 1	Reserved

Low Frequency Effects ch On (lfeon)

1 bit

If this bit has a value of 1, the sub-woofer channel is on. If this bit has a value of 0, the sub-woofer channel is off.

Copyright Bit (copyrightb)

1 bit

If this bit has a value of 1, the bitstream is protected by copyright. If this bit has a value of 0, the bitstream is not protected by copyright.

Original Bitstream (origbs)

1 bit

If this bit has a value of 1, this bitstream is an original bitstream. If this bit has a value of 0, this bitstream is a copy of another bitstream.

address h'03

Dialogue Normalization (dialnorm) 5 bits

This field contains how far the average dialogue level is below digital 100%.

Dynamic Range Gain Word Exists (dynrng) 1 bit

If this bit is a 1, this bitstream has dynamic range gain word which can use dynamic range compression.

Heavy dynamic range Compression Code Exists (compre) 1 bit

If this bit is a 1, this bitstream has compression gain word which can use heavy dynamic range compression.

address h'04

Compression Gain Word (compr) 8 bits

If compre is a 1, this field indicates scale for the reproduced audio level in order to reproduce a very narrow dynamic range.

address h'05

Language Code (langcod) 8 bits

This field indicates the audio service language. If the language code doesn't exist in bitstream, this value indicates h'00.

address h'06

Dynamic Range Gain Word (dynrng) 8 bits

If dynrng is a 1, this field indicates the scale of the reproduced audio level in order to reproduce an ordinary dynamic range.

address h'07

Mixing Level (mixlevel) 5 bits

This field contains the acoustic sound pressure level of the dialogue level of the final audio mixing session.

Room Type (roomtyp) 2 bits

This field indicates the type of mixing room used for the final audio mixing session.

roomtyp	Type of Mixing Room
0 0	Not indicated
0 1	Large room. X curve monitor
1 0	Small room. flat monitor
1 1	Reserved

Audio Production Information Exists (audprodie) 1 bit

If this bit is a 1, this bitstream has mixing level data and room type data.

address h'08

Dialogue Normalization, Ch2 (dianorm2) 5 bits

This field contains dialogue normalization for ch2 when acmod indicates dual mono mode (acmod=000).

Dynamic Range Gain Word Exists, Ch2 (dynrng2e) 1 bit

If this bit is a 1, this bitstream has a dynamic range gain word for ch2 when acmod indicates dual mono mode (acmod=000).

Compression Gain Word Exists, Ch2 (compr2e) 1 bit

If this bit is a 1, this bitstream has a compression gain word for ch2 when acmod indicates dual mono

mode (acmod=000).

address h'09

Compression Gain Word, Ch2 (compr2) 8 bits

This field indicates compression gain word for ch2 when acmod indicates dual mono mode (acmod=000).

address h'0A

Language Code, Ch2 (langcod2) 8 bits

This field indicates language code for ch2 when acmod indicates dual mono mode (acmod=000).

address h'0B

Dynamic Range Gain Word, Ch2 (dynrng2) 8 bits

This field indicates dynamic range gain word for ch2 when acmod indicates dual mono mode (acmod=000).

address h'0C

Mixing Level, Ch2 (mixlevel2) 5 bits

This field contains mixing level for ch2 when acmod indicates dual mono mode (acmod=000).

Room Type, Ch2 (roomtyp2) 2 bits

This field contains room type for ch2 when acmod indicates dual mono mode (acmod=000).

Audio Production Information Exists, Ch2 (audprodi2e) 1 bit

This bit indicates audio production information for ch2 when acmod indicates dual mono mode (acmod=000).

4.2 IEC958 Burst Information Registers

IEC958 burst information registers are provided. Table 4.3 shows IEC958 burst information registers.

Table4.3 IEC958 Burst Information Registers

bit	0	1	2	3	4	5	6	7	R/W
Address	0	1	2	3	4	5	6	7	R/W
h'0D	burste	0	ierrflg	idtdep					R

address h'0D

Data Type Dependent Code (idtdep)

5 bits

3rd and 4th bit are reserved, and these values set '0'. If Data Type Code indicates Dolby Digital (AC-3) Data, other 3 bits field indicates same as bsmode code.

idtdep	Type of Service
0 0 0 0 0	Main audio service : complete main (CM)
0 0 0 0 1	Main audio service : music and effects (ME)
0 0 0 1 0	Associated service : visually impaired (VI)
0 0 0 1 1	Associated service : hearing impaired (HI)
0 0 1 0 0	Associated service : dialogue (D)
0 0 1 0 1	Associated service : commentary (C)
0 0 1 1 0	Associated service : emergency (E)
0 0 1 1 1	Associated service : voice-over (VO) , or main audio service : karaoke

Error Flag (ierrflg)

1 bit

This field indicates error condition for burst data , according to the following table.

ierrflg	Status
0	No error
1	Error

Burst Data Exists (burste)

1 bit

If this bit is a 1, burst data which is assigned "istrnums" in control register exists.

4.3 Status Registers

The default values are described in the bit fields shown in table 4.4.

Table 4.4 Status Registers

bit	0	1	2	3	4	5	6	7	R/W
h'0E	syncon 1	syncdet 1	decode 0	0	0	0	0	bserr 1	R
h'0F	crc1err 0 0		0	0	0	0	crc2err 0 0		R
h'10	readpointer								R/W
h'11									
h'12	writepointer								R
h'13									

address h'0E

Error Information (bserr)

1 bit

This bit indicates error status.

bserr	Description
0	The value of bsid is less than 8 and encode error doesn't exist
1	The value of bsid is more than 9, or encode error exists

Decoding Condition Information (decode)

1 bit

decode	Description
0	Regular decode
1	Mute

Synchronous Detection Information (syncdet)

1 bit

This bit indicates whether sync word was detected per frame or not.

syncdet	Description
0	Sync word was detected
1	Sync word was not detected

Synchronous Lock Information (syncon)

1 bit

This bit indicates whether sync word is locked or not.

syncon	Description
0	Sync word is locked
1	Sync word is not locked

address h'0F

CRC2 Checked Data (crc2err)

2 bits

This field indicates the status of CRC error for CRC2.

crc2err	Description
0 0	No error
0 1	One error
1 0	More than 2 sequential errors
1 1	Reserved

CRC1 Checked Data (crc1err)

2 bits

This field indicates the status of CRC error for CRC1.

crc1err	Description
0 0	No error
0 1	One error
1 0	More than 2 sequential errors
1 1	Reserved

address h'10

address h'11

Read Pointer to the Input Data Buffer (readpointer)

16 bits

Read pointer to the input data buffer. Read/Write operation are allowed when M65863FP is not decoding. Only read operation is allowed when M65863FP is decoding.

address h'12

address h'13

Write Pointer to the Input Data Buffer (writepointer)

16 bits

Write pointer to the input data buffer. Only read operation is allowed.

4.4 Control Registers

The default values are described in the bit fields shown in table 4.5.

Table 4.5 Control Registers

bit Address	0	1	2	3	4	5	6	7	R/W
h'14	outbitlen 00		dacform 000			synclock 010			R/W
h'15	dempha 00		dirform 000			dspif 0	dacclkmode 0	noisesel 0	R/W
h'16	inoise 0	inoise 0	cnoise 0	rnoise 0	srnoise 0	slnoise 0	swnoise 0	noisesel 0	R/W
h'17	inbitlen 00		pdecmode 00		pfsmode 00		inportsel 00		R/W
h'18	000000						narwid 0	autobal 0	R/W
h'19	asmix 0	outchmod 111			stereo 00		compmod 00		R/W
h'1A	0000				dirdatamode 00		syncrsten 00		R/W
h'1B	hcompssc 01111111								R/W
h'1C	lcompssc 01111111								R/W
h'1D					kcapdef 00		kcapmod 0	karaply 0	R/W
h'1E	dialevel 01111111								R/W
h'1F	11111111								R/W
h'20	istrnums 000		0	copyrightb 0	burstcont 0	muteonoff 1	attlevel 0		R/W
h'21	catecode 00000000								R/W
h'22	kcoeffa 00000000								R/W
h'23	00000000								R/W
h'24	kcoeffb 00000000								R/W
h'25	00000000								R/W
h'26	kcoeffc 00000000								R/W
h'27	00000000								R/W
h'28	kcoeffd 00000000								R/W
h'29	00000000								R/W

bit	0	1	2	3	4	5	6	7	R/W
h'2A	kcoeffe								R/W
	0 0 0 0 0 0 0 0								
h'2B	0 0 0 0 0 0 0 0								
h'2C	kcoeff								R/W
	0 0 0 0 0 0 0 0								
h'2D	0 0 0 0 0 0 0 0								
h'2E	kcoeffg								R/W
	0 0 0 0 0 0 0 0								
h'2F	0 0 0 0 0 0 0 0								
h'30	kcoeffh								R/W
	0 0 0 0 0 0 0 0								
h'31	0 0 0 0 0 0 0 0								
h'32	kcoeffi								R/W
	0 0 0 0 0 0 0 0								
h'33	0 0 0 0 0 0 0 0								
h'34	kcoeffj								R/W
	0 0 0 0 0 0 0 0								
h'35	0 0 0 0 0 0 0 0								
h'36	kcoeffk								R/W
	0 0 0 0 0 0 0 0								
h'37	0 0 0 0 0 0 0 0								

address h'14

Synchronous Lock Control (synclock)

3 bits

Set the number of sync words required for entering the state where synchronization is established. Default value is 2 (b'010). Set the value only once when M65863FP is in the initial state.

synclock	Description
0 0 0	Reserved
0 0 1 ~ 1 1 1	Number of sync words which must be detected before mute is canceled

Output Format (dacform)

3 bits

Specify the output format. Default value is 000 (MSB first right-justified, when LRCK is 1, Lch output). This field can be changed at any time.

dacform	Description
0 0 0	MSB first right-justified format (when LRCK is 1, Lch output)
0 0 1	LSB first right-justified format (when LRCK is 1, Lch output)
0 1 0	I2S format (when LRCK is 1, Lch output)
0 1 1	Reserved
1 0 0	MSB first right-justified format (when LRCK is 0, Lch output)
1 0 1	LSB first right-justified format (when LRCK is 0, Lch output)
1 1 0	I2S format (when LRCK is 0, Lch output)
1 1 1	Reserved

Number of PCM Output Bits (outbitlen)

2 bits

Specify the output bit length. Default value is 00 (16 bits output). This field can be changed at any time.

outbitlen	Description
0 0	16 bit
0 1	18 bit
1 0	20 bit
1 1	24 bit

address h'15

DSP/DAC Clock Mode (dacclkmode)

1 bit

Specify the LR clock and bit clock to be used in the DAC/DSP interface. When dacclkmode=0, M65863FP becomes the clock master and divides the audio master clock to generate LR clock (LRCK)/bit clock (BCLK). When dacclkmode=1, M65863FP becomes the slave and uses the DIR/ADC input clocks (ALRCK, ACLK) as the LR clock and bit clock, respectively. In the default setting, M65863FP becomes the clock master. Set this value only once when M65863FP is in the initial status.

dacclkmode	Description
0	Clock master
1	Slave

Selection of DSP/DAC Interface (dspif)

1 bit

Specify the output interface mode. Default value is 0 (DAC interface). This field can be changed at any time.

dspif	Description
0	DAC/IF
1	DSP I/F

DIR/ADC Data Input Format (dirform)

3 bits

Specify the format of data input from DIR/ADC. Default value is 000 (MSB first right-justified, when ALRCK is 1, Lch input). This field can be changed at any time.

dirform	Description
0 0 0	MSB first right-justified format (when ALRCK is 1, Lch input)
0 0 1	LSB first right-justified format (when ALRCK is 1, Lch input)
0 1 0	I2S format (when ALRCK is 1, Lch input)
0 1 1	Reserved
1 0 0	MSB first right-justified format (when ALRCK is 0, Lch input)
1 0 1	MSB first right-justified format (when ALRCK is 0, Lch input)
1 1 0	I2S first right-justified format (when ALRCK is 0, Lch input)
1 1 1	Reserved

De-emphasis Control (dempha)

3 bits

This field controls whether or not to carry out de-emphasis processing during PCM input. If the value is 00 (default), de-emphasis processing is not carried out. If the value is 01, de-emphasis processing is carried out. Value 10 enables control at the level of external input terminal DEMPHA. Value 0 turns de-emphasis off, and value 1 turns de-emphasis on. This field can be changed at any time.

dempha	Description
0 0	De-emphasis always off
0 1	De-emphasis always on
1 0	Control with external input terminal (dempha)
1 1	Reserved

address h'16

Noise Selection (noisesel)

1 bit

Select the kind of noise. Default value is 0 (pink noise). Setting of the value in this field should be done under the state of noise off for every channel.

noisesel	Description
0	Pink noise
1	Shaped noise

SW-ch Noise (swnoise)

1 bit

Control of noise generation for SW channel. When set to noise on, M65863FP enters noise output mode while ignoring the audio input from DIR/ADC and DEMUX. Noise generation can be turned on/off at any time. Default setting is noise off.

swnoise	Description
0	Noise off
1	Noise on

SL-ch Noise (slnoise)

1 bit

Control of noise generation for SL channel. When set to noise on, M65863FP enters noise output mode while ignoring the audio input from DIR/ADC and DEMUX. Noise generation can be turned on/off at any time. Default setting is noise off.

slnoise	Description
0	Noise off
1	Noise on

SR-ch Noise (srnoise)

1 bit

Control of noise generation for SR channel. When set to noise on, M65863FP enters noise output mode while ignoring the audio input from DIR/ADC and DEMUX. Noise generation can be turned on/off at any time. Default setting is noise off.

srnoise	Description
0	Noise off
1	Noise on

R-ch Noise (srnoise)

1 bit

Control of noise generation for R channel. When set to noise on, M65863FP enters noise output mode while ignoring the audio input from DIR/ADC and DEMUX. Noise generation can be turned on/off at any time. Default setting is noise off.

srnoise	Description
0	Noise off
1	Noise on

C-ch Noise (srnoise)

1 bit

Control of noise generation for C channel. When set to noise on, M65863FP enters noise output mode while ignoring the audio input from DIR/ADC and DEMUX. Noise generation can be turned on/off at any time. Default setting is noise off.

Cnoise	Description
0	Noise off
1	Noise on

L-ch Noise (lnoise)

1 bit

Control of noise generation for L channel. When set to noise on, M65863FP enters noise output mode while ignoring the audio input from DIR/ADC and DEMUX. Noise generation can be turned on or off at any time. Default setting is noise off.

srnoise	Description
0	Noise off
1	Noise on

address h'17

Data input Port Selection Control(inportsel)

2 bits

Select the audio input port of M65863FP in this field. In the default setting, data stream from DIR/ADC1 is received. This field can be changed at any time.

inportsel	Description
0 0	M65863FP receives audio stream from DIR/ADC input 1
0 1	M65863FP receives audio stream from DIR/ADC input 2
1 0	M65863FP receives audio stream from DEMUX
1 1	Reserved

Selection of Sampling Frequency for Pro Logic,

De-emphasis and Noise Generator (pfsmode)

2 bits

Select the sampling frequency for Pro Logic, de-emphasis processing for linear PCM and noise generation, in this field. This field must be correctly set in the case of Pro Logic decoding, de-emphasis processing for linear PCM and noise generation, because the filtering factor is determined according to this information. Default setting is 00 (48 kHz).

pfsmode	Description
0 0	48 kHz
0 1	44.1 kHz
1 0	32 kHz
1 1	Reserved

Pro Logic Decoding Mode Selection (pdecmode)

2 bits

Controls on/off of Pro Logic decoding. Default setting is off. This field can be changed at any time.

pdecmode	Description
0 0	No decoding
0 1	Full-time decoding
1 0	Decoding done if dsurmod-specified Dolby surround is encoded
1 1	Reserved

Number of DIR/ADC Input Bits (inbitlen)

2 bits

Specify the bit length of DIR/ADC input. Default value is 16 bit. This field can be changed at any time.

inbitlen	Description
0 0	16 bit
0 1	18 bit
1 0	20 bit
1 1	24 bit

address h'18

Auto-balance On/Off (autobal)

1 bit

Selected only during Pro Logic decoding mode.

autobal	Description
0	Auto-balance ON
1	Auto-balance OFF

Narrow/wide Selection (narwid)

1 bit

Selected only during Pro Logic decoding mode.

narwid	Description
0	Wide mode
1	Narrow mode

address h'19

Dynamic Range Compression Mode Control (compmod)

2 bits

Specify the mode of dynamic range compression and dialog normalization on/off during Dolby Digital (AC-3) decoding. Default value is 00 (line-out mode). While this field can be changed at any time, set value is reflected in synchronization with the frame during Dolby Digital (AC-3) decoding.

compmod	Description
0 0	Line-out mode
0 1	RF mode
1 0	Custom mode B
1 1	Custom mode A

Line-out mode is useful for products which generate line-out signals of base band. Details are as follows.

- Dialog normalization is always effective.
- Dynamic compression (dynmg) is used.
- Low-level boost compression scaling is enabled.
- High-level cut compression scaling is enabled when there is no down-mixing.
- Play-back with constant level of dialog (-31dB FS).

RF mode is useful for products which generate down-mixing signal for RF modulation. Details are as follows.

- Dialog normalization is always effective.

- Heavy compression (dynmg and compr) is used.
- Compression scaling is disabled.
- +11dB gain shift is provided.
- Play-back with constant level of dialog (-20dB FS).

Custom mode B makes finer level adjustment possible. Details are as follows.

- Dialog normalization is effective.
- Dynamic compression (dynmg) is used.
- Compression scaling is enabled.
- Dialog is played back with constant level (-31dB FS). (In the case of no down mixing.)
- Provided with -11dB gain shift when down mixing is applied up to over-loading of peak level.

Dialog normalization is not carried out in custom mode A. Details are as follows.

- Dialog normalization is not effective.
- Dynamic compression (dynmg) is used.
- Compression scaling is enabled.
- Provided with -11dB gain shift when down mixing is applied up to over-loading of peak level.

Main Stereo Control (stereo)

2 bits

When acmod indicates dual monaural mode, user uses these 2 bits to select the desired audio output from the following options. Default value is 00. While this field can be changed at any time, set value is reflected in synchronization with the frame during Dolby Digital (AC-3) decoding.

stereo	Type of Dual Monaural Output Mode
0 0	Lch:ch1, Rch:ch2
0 1	Lch:ch1, Rch:ch1
1 0	Lch:ch2, Rch:ch2
1 1	Lch:ch1+ch2, Rch:ch1+ch2

Output Channel Mode Control (outchmod)

3 bits

Specify the output channel mode. Default value is b'111 (3/2 mode). While this field can be changed at any time, set value is reflected in synchronization with the audio block during Dolby Digital (AC-3) decoding.

outchmod	Output Channel Mode	Output Channel
0 0 0	Dolby Pro Logic encode stereo	[Lt,Rt]
0 0 1	1/0	[C]
0 1 0	2/0	[L,R]
0 1 1	3/0	[L,C,R]
1 0 0	2/1	[L,R,S]
1 0 1	3/1	[L,C,R,S]
1 1 0	2/2	[L,R,SL,SR]
1 1 1	3/2	[L,C,R,SL,SR]

Associate Service Decoding Mode Control (asmix)

1 bit

When this bit is set to 1, compression gain word and dynamic range gain word are transferred from the sub chip to the main chip via the main/sub chip interface, thus enabling it to decode dual streams. Default value is 0 (single stream mode). Set the value in this field only once when M65863FP is in the initial status.

asmix	Description
0	Single stream decoding mode
1	Dual stream mixing mode

address h'1A

syncrst Enable (syncrsten)

2 bits

Specify the method of synchronization control which uses SYNCRST terminal in the case of DEMUX interface. Default setting is 00 (synchronization control by using SYNCRST terminal is not carried out). Although control by using SYNCRST is carried out when the value is 01 or 10, the operation differs as to whether input stream is transferred to the input buffer or not when SYNCRST is asserted. Refer to section 5.1.2 for details. Set this value only once when M65863FP is in the initial status.

syncrsten	Description
0 0	Synchronization control by using SYNCRST terminal is not carried out
0 1	Synchronization control by using SYNCRST terminal is carried out (mode A)
1 0	Synchronization control by using SYNCRST terminal is carried out (mode B)
1 1	Reserved

dir input Data mode Enable (dirdatamode)

2 bits

Specify whether or not to make judgment to determine the input data is AC-3 or PCM in the case of DIR/ADC interface. When the value is 00, AC-3/PCM is automatically determined according to the sync preamble, and decoding mode of M65863FP is automatically switched. When the value is 01, the mode is fixed to AC-3 input. When PCM is input in this case, synchronization is lost and the output is muted. When the value is 10 or 11, the mode is fixed to PCM input, except that value 10 causes sync preamble to be searched and, when sync preamble is detected, causes the output to be muted. When the value is 11, sync preamble is not searched. Therefore, mistaken input of AC-3 stream results in its output as it is. Default value is 00 (automatic judgment of AC-3/PCM). This field can be set at any time.

dirdatamode	Description
0 0	Automatic judgment of AC-3/PCM based on sync preamble
0 1	Fixed to AC-3 input
1 0	Fixed to PCM input (sync preamble detection & mute control provided)
1 1	Fixed to PCM input (sync preamble detection & mute control not provided)

address h'1B

Dynamic Range Compression Scale Factor for High Level Signal (hcompsc)

8 bits

This field determines the scale of dynamic range control word for high level signal. Available range is from h'00 to h'7F in binary number. Value h'7F corresponds to 1.0. Default value is h'7F (1.0). While this field can be changed at any time, set value is reflected in synchronization with the audio block during Dolby Digital (AC-3) decoding.

address h'1C

Dynamic Range Compression Scale Factor for Low Level Signal (lcompsc) 8 bits

This field determines the scale of dynamic range control word for low level signal. Available range is from h'00 to h'7F in binary number. Value h'7F corresponds to 1.0. Default value is h'7F (1.0). While this field can be changed at any time, set value is reflected in synchronization with the audio block during Dolby Digital (AC-3) decoding.

address h'1D

Karaoke Player Mode (karaply) 1 bit

This field indicates whether the player has karaoke function or not. Value 0 indicates karaoke aware mode and 1 indicates karaoke capable mode. Default value is 0 (karaoke aware mode). While this field can be changed at any time, set value is reflected in synchronization with the audio block during Dolby Digital (AC-3) decoding.

Karaoke Capable Mixing Coefficient Mode (kcapmod) 1 bit

This field indicates whether the default coefficient value is to be used or not. This flag is valid only in the karaoke capable mode (when control register karaply = 1). When this flag is 0, M65863FP uses the default coefficient value. When it is 1, value of control register (address IE-33) is used in karaoke mixing. Default value is 0. While this field can be changed at any time, set value is reflected in synchronization with the audio block during Dolby Digital (AC-3) decoding.

Karaoke Capable Default Vocal (kcapdef) 2 bits

This field indicates the vocal reproduction when the default coefficient value is used in karaoke capable mode. Default value is 00. While this field can be changed at any time, set value is reflected in synchronization with the audio block during Dolby Digital (AC-3) decoding.

kcapdef	Vocal Reproduction
0 0	No vocal
0 1	V1 vocal
1 0	V2 vocal
1 1	Both vocal

address h'1E

address h'1F

Dialogue Normalization Control (dialevel) 16 bits

This field indicates dialogue normalization control value. h'7FFF is 1.0. Default value is h'7FFF(1.0). While this field can be changed at any time, set value is reflected at the beginning of a new audio block.

address h'20

Output Attenuator (attlevel) 1 bit

This field controls output data gain. Default value is 0 (0dB). While this field can be changed at any time, set value is reflected at the beginning of a new audio block.

attlevel	Attenuate Level
0	0 dB
1	-12 dB

Soft Mute Control (muteonoff)

1 bit

This field controls soft muting. M65863FP starts to mute output when the field is changed to 1 and finishes muting when the field is changed to 0. Default value is 1 (mute on). While this field can be changed at any time, set value is reflected at the beginning of a new audio block.

muteonoff	Description
0	Mute OFF
1	Mute ON

DEMUX I/F Protocol Control (burstcont)

1 bit

This field is valid. when using DEMUX I/F (inportsel=10) and specifies a interface protocol. When the field is '1', M65863FP inputs Dolby Digital (AC-3) stream for exactly 1 frame at a time. When the field is '0', M65863FP inputs Dolby Digital (AC-3) stream until the input buffer is full. Default value is '0'. Set the value in the field only once when M65863FP is in the initial state.

Copy Right Bit (copyrightb)

1 bit

The value in this field is written in the "copyrightb" field in IEC958 when using DEMUX I/F.

IEC958 Data Stream Number Selection (istrnums)

3 bits

M65863FP decodes the data stream whose number is same as this field. Default value is b'000. Set value in the field is reflected at the beginning of a new audio frame.

address h'21

Category Code (catecode)

8 bits

Value specified in this field is written in the category code field of the channel status word of IEC958 output. Default value is h'00. This field can be set at any time.

address h'22

address h'23

Karaoke Mixing Coefficient (kcoeffa)

16 bits

Coefficient for mixing V1 with Lk. Value h'7FFF corresponds to 1.0. Default value is h'0000 (0.0). While this field can be changed at any time, set value is reflected in synchronization with the audio block during Dolby Digital (AC-3) decoding.

address h'24

address h'25

Karaoke Mixing Coefficient (kcoeffb)

16 bits

Coefficient for mixing V2 with Lk. Value h'7FFF corresponds to 1.0. Default value is h'0000 (0.0). While this field can be changed at any time, set value is reflected in synchronization with the audio block during Dolby Digital (AC-3) decoding.

address h'26

address h'27

Karaoke Mixing Coefficient (kcoeffc)

16 bits

Coefficient for mixing M with Lk. Value h'7FFF corresponds to 1.0. Default value is h'0000 (0.0). While this field can be changed at any time, set value is reflected in synchronization with the audio block during Dolby Digital (AC-3) decoding.

address h'28

address h'29

Karaoke Mixing Coefficient (kcoeffd)

16 bits

Coefficient for mixing V1 with Ck. Value h'7FFF corresponds to 1.0. Default value is h'0000 (0.0). While

this field can be changed at any time, set value is reflected in synchronization with the audio block during Dolby Digital (AC-3) decoding.

address h'2A

address h'2B

Karaoke Mixing Coefficient (kcoeffe) 16 bits

Coefficient for mixing V2 with Ck. Value h'7FFF corresponds to 1.0. Default value is h'0000 (0.0). While this field can be changed at any time, set value is reflected in synchronization with the audio block during Dolby Digital (AC-3) decoding.

address h'2C

address h'2D

Karaoke Mixing Coefficient (kcoefff) 16 bits

Coefficient for mixing M with Ck. Value h'7FFF corresponds to 1.0. Default value is h'0000 (0.0). While this field can be changed at any time, set value is reflected in synchronization with the audio block during Dolby Digital (AC-3) decoding.

address h'2E

address h'2F

Karaoke Mixing Coefficient (kcoeffg) 16 bits

Coefficient for mixing V1 with Rk. Value h'7FFF corresponds to 1.0. Default value is h'0000 (0.0). While this field can be changed at any time, set value is reflected in synchronization with the audio block during Dolby Digital (AC-3) decoding.

address h'30

address h'31

Karaoke Mixing Coefficient (kcoeffh) 16 bits

Coefficient for mixing V2 with Rk. Value h'7FFF corresponds to 1.0. Default value is h'0000 (0.0). While this field can be changed at any time, set value is reflected in synchronization with the audio block during Dolby Digital (AC-3) decoding.

address h'32

address h'33

Karaoke Mixing Coefficient (kcoeffi) 16 bits

Coefficient for mixing M with Rk. Value h'7FFF corresponds to 1.0. Default value is h'0000 (0.0). While this field can be changed at any time, set value is reflected in synchronization with the audio block during Dolby Digital (AC-3) decoding.

address h'34

address h'35

Karaoke Mixing Coefficient (kcoeffj) 16 bits

Coefficient for mixing L with Lk. Value h'7FFF corresponds to 1.0. Default value is h'0000 (0.0). While this field can be changed at any time, set value is reflected in synchronization with the audio block during Dolby Digital (AC-3) decoding.

address h'36

address h'37

Karaoke Mixing Coefficient (kcoeffk) 16 bits

Coefficient for mixing R with Rk. Value h'7FFF corresponds to 1.0. Default value is h'0000 (0.0). While this field can be changed at any time, set value is reflected in synchronization with the audio block during Dolby Digital (AC-3) decoding.

4.5 Test Registers

The default values are described in the bit fields shown in table 4.6.

Table 4.6 Test Registers

bit	0	1	2	3	4	5	6	7	R/W
Address	0	1	2	3	4	5	6	7	R/W
h'38					inputh	inputl	outputh	outputl	R
	0	0	0	0	0	0	0	0	

address h'38

Output Buffer Underflow Status(outputl)

1 bit

This bit is to indicate output buffer underflow.

outputl	Description
0	Not underflow
1	Underflow

Output Buffer Overflow Status (outputh)

1 bit

This bit is to indicate output buffer overflow.

outputh	Description
0	Not overflow
1	Overflow

Input Buffer Underflow Status (inputl)

1 bit

This bit is to indicate input buffer underflow.

inputl	Description
0	Not underflow
1	Underflow

Input Buffer Overflow Status (inputh)

1 bit

This bit is to indicate input buffer overflow.

inputh	Description
0	Not overflow
1	Overflow

Chapter 5

Interface

5.1 Audio Input Interface

5.1.1 DIR/ADC Interface

The interface between M65863FP and Digital Audio I/F Receiver or A/D converter consists of the signals ACLK, ADATA, ALRCK as follows (see figure 5.1). M65863FP supports 3 kinds of input formats(MSB first right-justified, LSB first right-justified and I²S) and 4 word sizes(16, 18, 20 and 24bit).

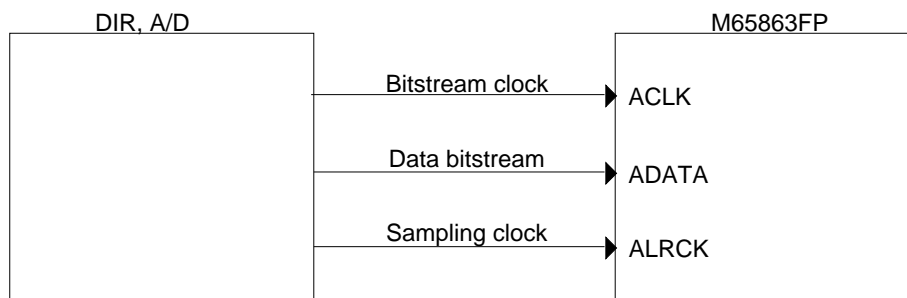


Figure5.1 Connections Between DIR and M65863FP

The input format can be chosen among MSB first right-justified format , LSB first right-justified format and I²S format with the control register 'dirfmt'(address h'15). Also, the word size can be chosen among 16, 18, 20 and 24bit with the control register 'inbitlen' (address h'17). The relationship between the signal level of ALRCK and output channel (L/R, C/SW, SL/SR) is selective. The details are shown in figure 5.2 and figure 5.3.

When M65863FP accepts Dolby Digital (AC-3) data from Digital Audio I/F Receiver, 16 bit mode must be selected.

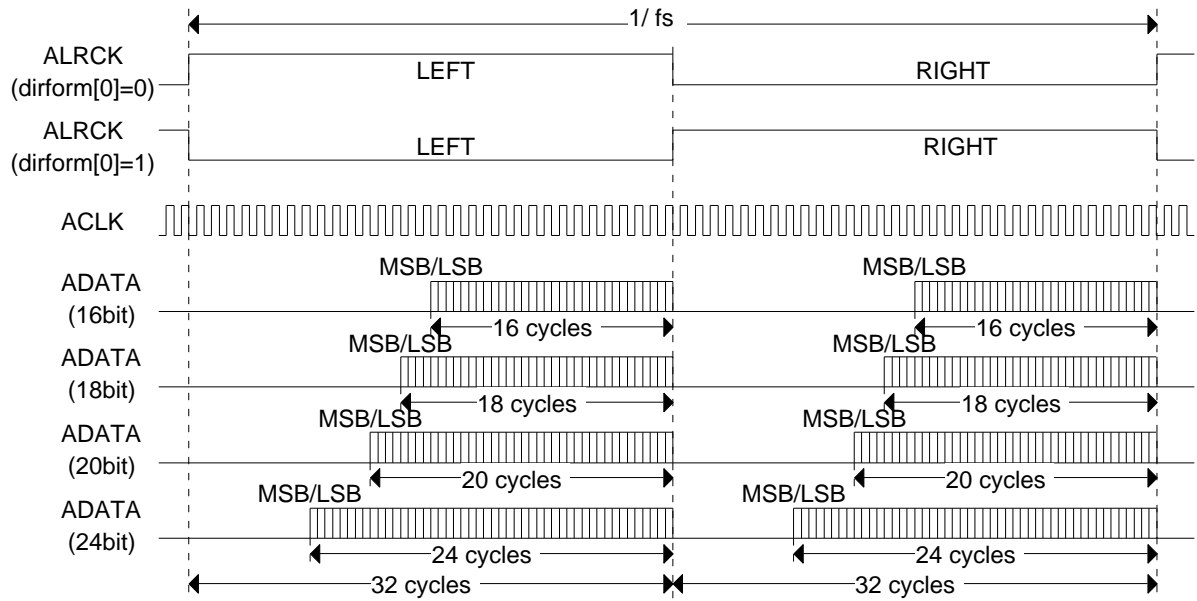


Figure 5.2 MSB/LSB right-justified Format (16bit, 18bit, 20bit, 24bit)

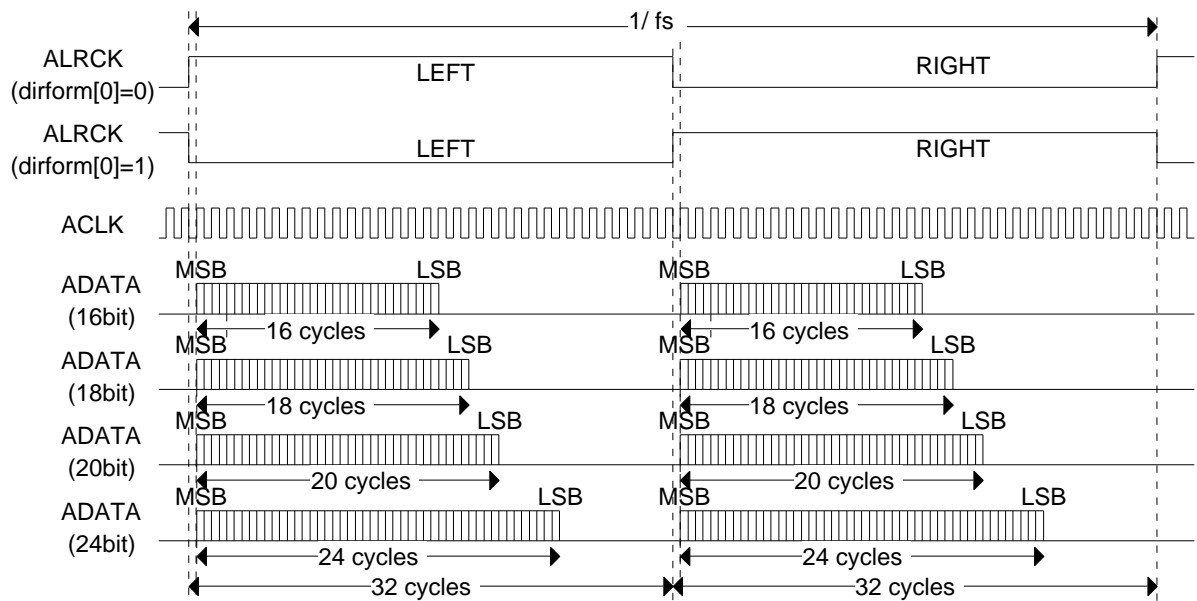


Figure 5.3 I²S Format (16bit, 18bit, 20bit, 24bit)

5.1.2 Serial Dolby Digital (AC-3) Stream Interface

The interface between MPEG2 system decoder (DEMUX) that outputs Dolby Digital (AC-3) elementary stream and M65863FP consists of the signals ACLKS, ADATAS, ADVLDS, _ADREQ, SYNCRST and RSYNCREQ as follows (see figure 5.4).

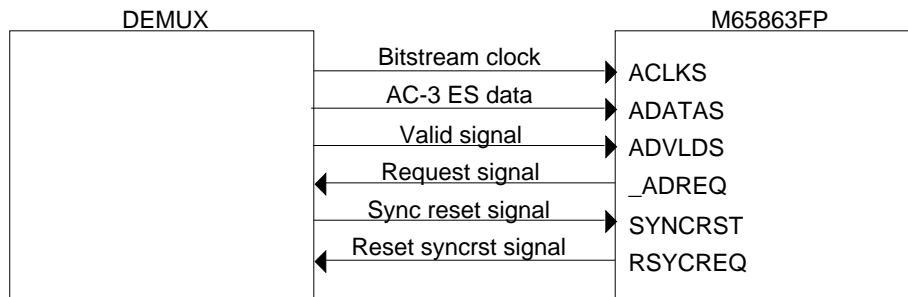


Figure 5.4 Connections Between DEMUX and M65863FP

When M65863F accepts AC-3 data from MPEG2 System decoder (DEMUX), the protocol is shown in figure 5.5.

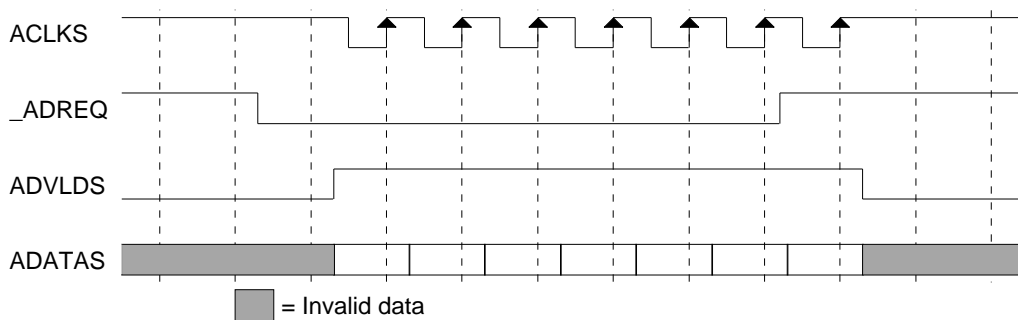


Figure 5.5 Interface Between DEMUX and M65863FP

If burstcont is a 0, _ADREQ will be high when the input buffer becomes full. If burstcont is a 1, _ADREQ will be high when M65863FP relieves 1 sync frame. The burstcont returns to low when M65863FP outputs the first PCM of the frame.

5.1.3 Sync Word Detection Start Signal

If SYNCRST is asserted when receiving DEMUX input (control register inportsel is 10) and the control register syncrsten is either 01 or 10, M65863FP returns to the state of being out of synchronization. Operation when SYNCRST is asserted varies depending on the value of control register syncrsten.

When syncrsten = 01 (mode A)

While SYNCRST is asserted, detection of sync word is not carried out with out-of-sync status persisting, and AC-3 stream is not stored in the input buffer. When SYNCRST is negated, M65863FP begins detection of sync word and, when sync word is detected, transfers the AC-3 stream to the input buffer and restarts decoding.

When syncrsten = 10 (mode B)

When SYNCRST is asserted, M65863FP enters out-of-sync status and, at the same time, begins detection of sync word and, when sync word is detected, transfers the AC-3 stream to the input buffer. In

the period when SYNCRST is asserted, however, decoding is not done. Decoding is started when SYNCRST is negated. At this time, M65863FP restarts decoding at the nearest frame behind the address indicated by Read Pointer of the input buffer. Therefore, any desired frame which is input during assertion period and the subsequent data can be played back, by writing over the Read Pointer during assertion period. In the period when SYNCRST is asserted, M65863FP processes AC-3 stream input and overwrites the contents of the buffer even if the input buffer overflows.

5.1.4 Out-of-sync Signal

When M65863FP fails to detect sync word twice successively, M65863FP is determined to be out of synchronization. M65863FP sets the RSYCREQ pin and "syncon" (status register) to 1 and mutes the output. "syncon" remains to be 1 until M65863FP is locked in synchronization. RSYCREQ changes to 0 when M65863FP detects sync word next time.

5.1.5 Mute Signal

M65863FP mutes the output signal when _AMUTE becomes 0. _AMUTE can be asserted or negated asynchronously. However, M65863FP starts/ends muting in the next synchronization frame when assert/negate signal is received.

5.1.6 Reestablishment of Synchronization

In case an external cause such as channel change takes place during DEMUX input (control register inportsel is 10), M65863FP can reestablish synchronization by using the external terminal SYNCRST as follows. As mentioned in 5.1.3, operation varies depending on whether the control register syncrsten is 01 or 10.

In the case of mode A (control register syncrsten is 01)

- 1) SYNCRST is asserted.
- 2) When M65863FP detects rising edge of SYNCRST, M65863FP comes out of synchronization and asserts RSYCREQ. In the case of mode A, M65863FP does not detect sync word and remains out of synchronization while SYNCRST is enabled. When M65863FP is out of synchronization, input stream is not stored in the input buffer.
- 3) When M65863FP detects rising edge of SYNCRST, it starts detection of sync word.
- 4) When M65863FP detects sync word, it stores input stream in the input buffer and starts decoding. RSYCREQ is negated at this time.

When an internal cause necessitates it to establish synchronization again, M65863FP requests DEMUX to assert SYNCRST by asserting RSYCREQ (Second SYNCRST and RSYCREQ in Figure 5.6).

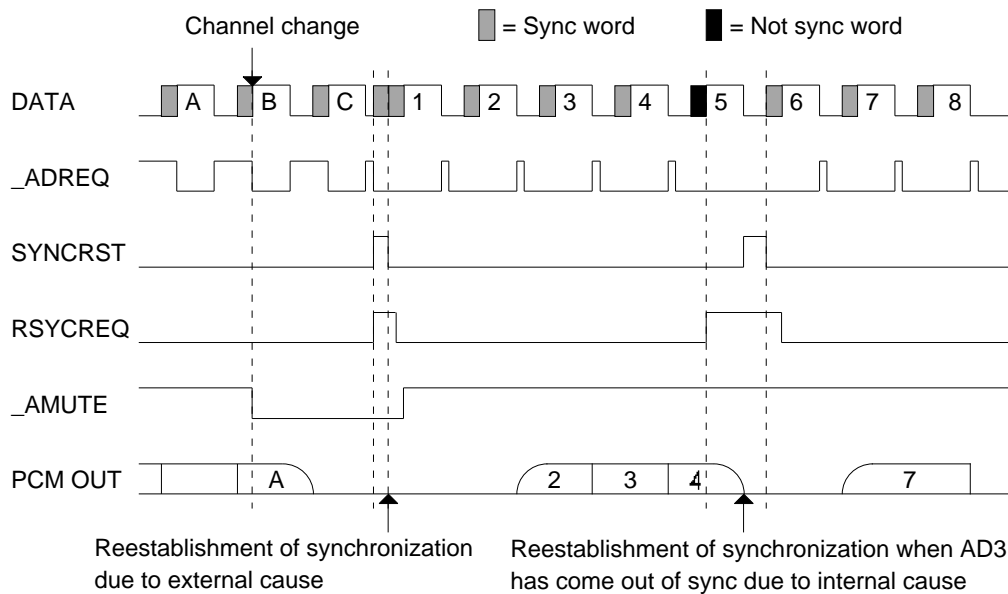


Figure 5.6 Timing of Interface Between DEMUX and M65863FP

In the case of mode B (control register syncrsten is 10)

- 1) SYNCRST is asserted.
- 2) When M65863FP detects rising edge of SYNCRST, M65863FP comes out of synchronization and asserts RSYCREQ. In the case of mode B, M65863FP inputs Dolby Digital (AC-3) stream and searches for sync word even when SYNCRST is enabled.
- 3) When M65863FP detects sync word, it negates RSYCREQ and stores Dolby Digital (AC-3) stream in the internal input buffer. It should be noted, however, that decoding is not restarted under this condition.
- 4) When M65863FP detects the falling edge of SYNCRST, it restarts decoding at the nearest audio frame behind the address indicated by Readpointer.

In mode B, decoding can be restarted at any desired audio frame which is input after assertion of SYNCRST, by writing over the Readpointer for the input buffer during the period of asserting SYNCRST (It is limited to the frame following the detection of sync word and restart of transfer to the input buffer.).

When an internal cause necessitates it to establish synchronization again, M65863FP requests DEMUX to assert SYNCRST by asserting RSYCREQ.

5.2 Audio Output Interface

M65863FP carries out audio output in the format of DAC interface shown in 5.2.1 or DSP interface shown in 5.2.2. Selection from among these formats is made by means of the control register dspif. DAC interface is selected when dspif is 0, and DSP interface is selected when dspif is 1.

5.2.1 DAC Interface

M65863FP transmits PCM data via standard 3 line interface (data, sampling clock and clock) for DAC. M65863FP supports 3 formats (MSB first right-justified, LSB first right-justified and I²S) and 4 DAC word sizes (16, 18, 20 and 24 bit). While 24 bit output can be selected also in the case of AC-3 decoding, effective accuracy is limited to 20 bits. BCLK is a clock having frequency 64 times that of LRCK, where DO changes at the falling edge of BCLK.

An example of I²S format is shown in figure 5.7 and an example of right-justified format is shown in figure 5.8.

The relation of LRCK level and L/R, C/SW and SL/SR outputs can be changed by setting the MSB of dacform. If MSB of dacform is 0, PCM data of the left channel, center channel and surround left channel are output from 3 lines of output are output when LRCK is 1. When LRCK is 0, PCM data of the right channel, sub woofer and surround right channel are output. The above relation is inverted when MSB of dacform is 1.

LRCK and BCLK can be either generated by M65863FP by dividing the audio master clock (master mode), or taken from inputs of DIR/ADC interfaces (slave mode). Setting dacclkmode to 0 results in master mode and setting it to 1 results in slave mode.

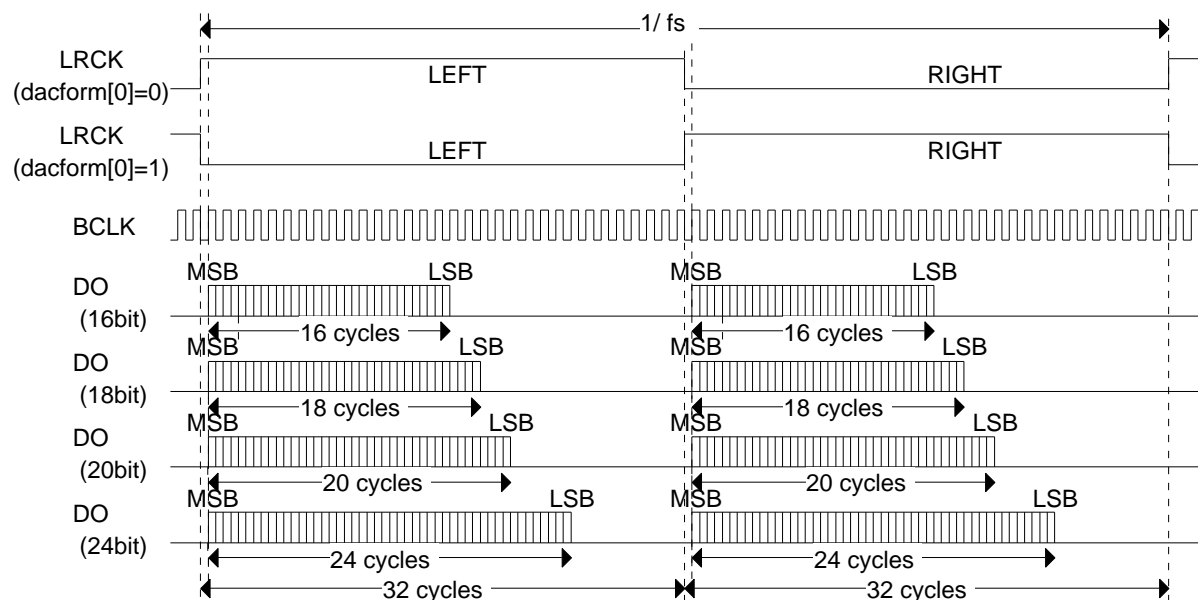


Figure 5.7 I²S format Interface Between M65863FP and DAC

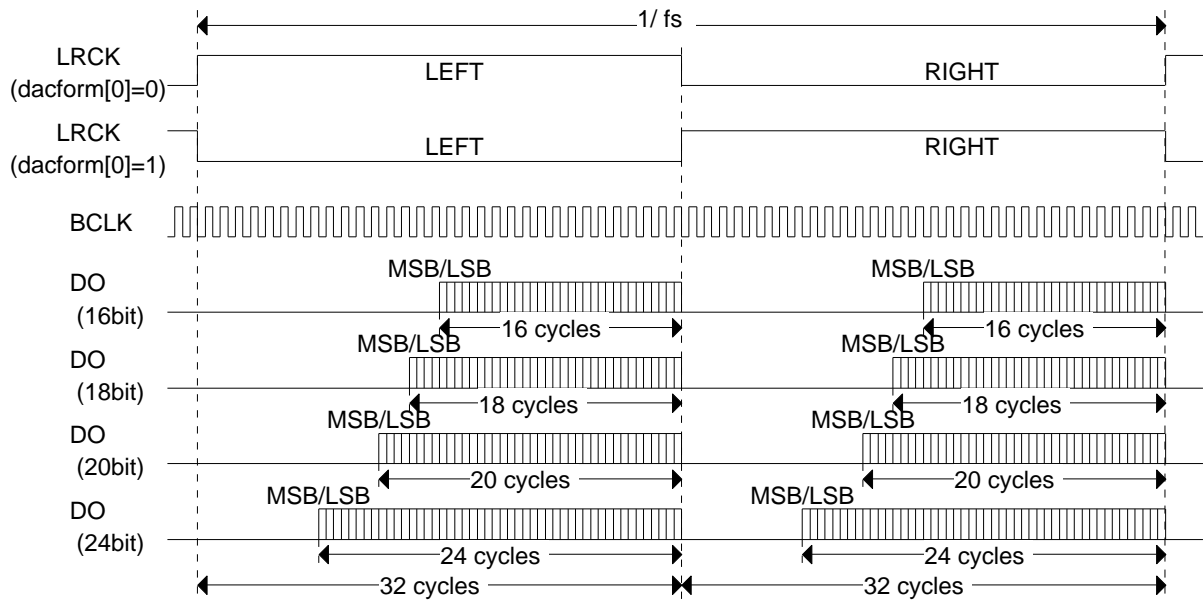


Figure 5.8 Right-justified Format Interface Between M65863FP and DAC

5.2.2 DSP Interface

When the control register dspif is set to 1, audio data of 6 ch are output from data output terminals (DOLR, DOSS) of 2 lines at a twice higher transfer rate. Supported output formats are MSB first right-justified, LSB first right-justified and I²S as in the case of DAC interface. This interface is schematically shown in the figure. Relative timing of the clocks (2LRCK, 2BCLK) and the data output (DOLR, DOSS) is the same as that of DAC interface. Relation between the signal levels of LRCK and 2LRCK and the output channel can be inverted by means of MSB of the control register dacform similarly to the case of DAC interface. LRCK can be either generated by M65863FP by dividing the audio master clock (master mode), or taken from the input of DIR/ADC interface (slave mode). Setting the control register dacclkmode to 0 results in master mode and setting it to 1 results in slave mode.

This output is suitable for the output of audio data to DSP which has only 2 lines of data input.

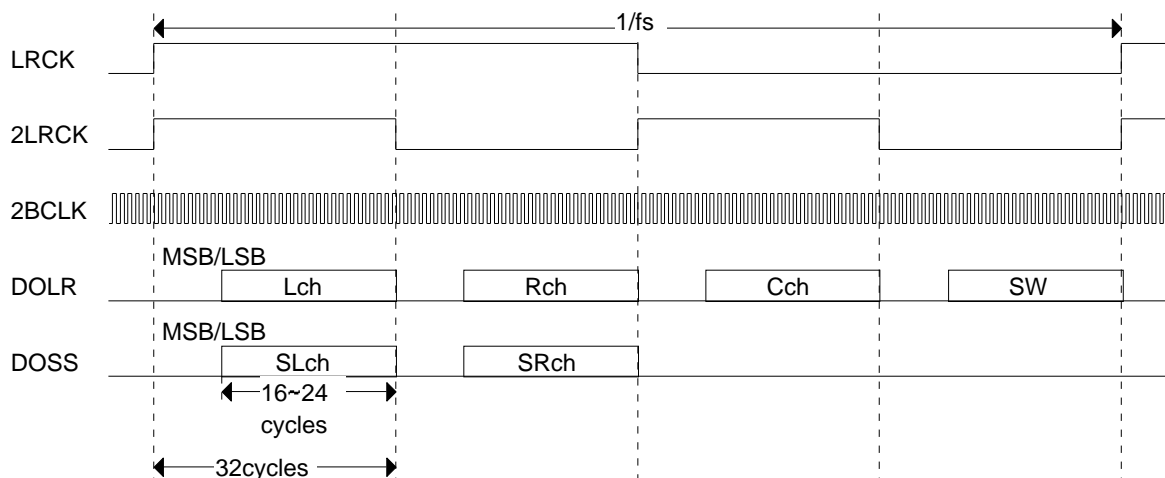


Figure 5.9 Right-justified Format Interface Between M65863FP and DAC(dacfom[0]=0)

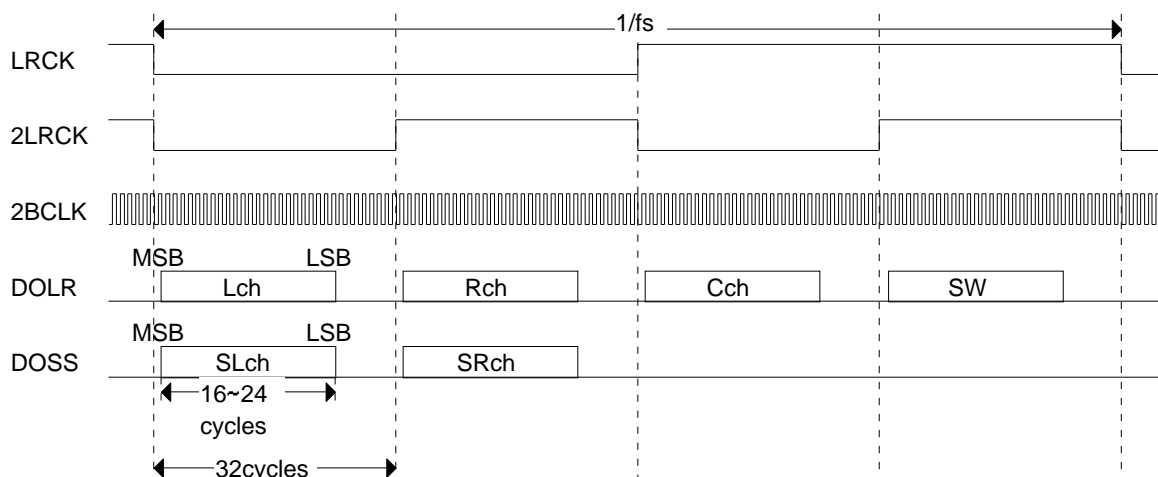


Figure 5.10 I²S Format Interface Between M65863FP and DAC(dacform[0]=1)

5.2.3 Digital Audio Interface

M65863FP outputs either of 2 input data streams from DOTX. The selection of the input data streams depends on the content of inportsel(Control register).

- 1) When inportsel(control register) is 00 or 01 (DIR I/F input), M65863FP bypasses the input stream from DIRX to DOTX.
- 2) When inportsel(control register) is 10 (DEMUX I/F input), M65863FP formats the input data stream in IEC958(S/PDIF) and outputs it.

Table 5.1 and figure 5.11 show the format of consumer mode and the format for consumer digital audio products, respectively.

Table 5.1 Format of IEC958 (S/P DIF) Consumer Mode

Symbol	Bits	Description
Sync preamble	4	There are 3 types (B,M,W) depending on the character of the subframe (see table 5.2)
Aux data	4	Auxiliary information or extension of audio data. This value will be "0000"
Linear PCM word	20	Dolby Digital (AC-3) data. MSB in slot 27. If the length of data is less than 20, zero is asserted to the LSB side. AC-3 data is placed into slots 12-27 (16bits) of the sub-frames
Validity flag	1	0 : Dolby Digital (AC-3) Data are reliable, 1 : Dolby Digital (AC-3) data are unreliable
User data	1	This value is 0 in all subframes
One bit of channel status word	1	Supports consumer mode (value is 0). C bit of subframe within the same channel indicates as follows (see figure 5.11). The bit fields except for CR, category code and sampling rate are all 0. CR(Copyright) 0 : Protected, 1 :Not protected Category code This value is same as internal register Default values are all zero Sampling rate 0000 : 44.1kHz, 0100 : 48kHz, 1100 : 32kHz
Parity bit	1	This parity bit is due to be an even number of "1" and "0" between slot 4 and slot 31 in subframe

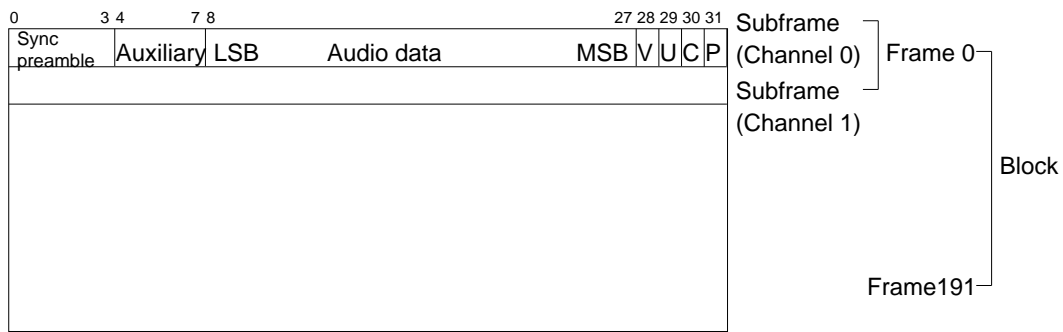


Figure 5.11 Format for IEC958(S/P DIF)

Table 5.2 Preamble

Preamble	Channel coding		Description
	Forward bit : 0	Forward bit : 1	
B	1 1 1 0 1 0 0 0	0 0 0 1 0 1 1 1	The sub-frame is channel 0 and top of the block
M	1 1 1 0 0 0 1 0	0 0 0 1 1 1 0 1	The sub-frame is channel 0 and not top of the block
W	1 1 1 0 0 1 0 0	0 0 0 1 1 0 1 1	The sub-frame isn't channel 0 (channel1, 2, ...)

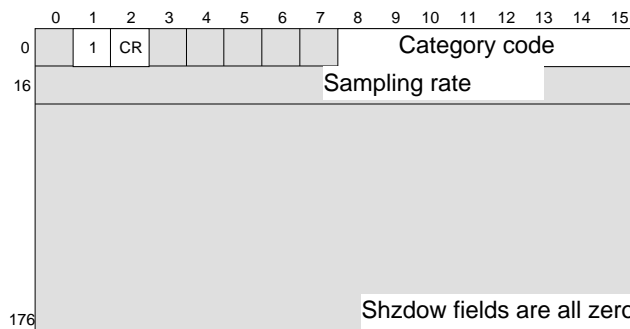


Figure 5.12 Channel Status

In data burst, the preamble occupies 16 bits in each of the 4 sub-frames. The 4 sub-frames are contained in 2 sequential frames. The preamble of the 4 sub-frames is considered to be four 16 bits words designated as Pa, Pb, Pc and Pd. Table 5.3 shows the contents of four words in the preamble.

Table 5.3 Preamble Words

Preamble Word	Contents
Pa	16 bit sync word 1 = h'F872
Pb	16 bit sync word 2 = h'4E1F
Pc	16 bit burst_info value (see table 5.4)
Pd	16 bit length_code (unsigned integer), equal to the number of data bits in the following data burst

The length_code indicates the length of the data payload in bits, from 0 to 65535. The size of the preamble is not counted in the value of length_code.

Table 5.4 burst_info

Bit(s)*	Value
0~4	data_type (5 bit unsigned integer = 0~31)
5~6	Reserved (shall be set to '00')
7	error_flag 1 : indicates data burst may contain errors 0 : indicates data may be valid
8~12	data_type_dependent (see table 5.6)
13~15	data_stream_number

*bit15 is MSB

The 3 bits data_stream_number indicates to which virtual data stream the burst belongs. If a single data stream is carried, the value of the data_stream_number shall be 0. Stream 0 has the highest priority, and stream number is placed in bit number 15.

Table 5.5 Values of data_type

Value	Meaning
h'0	Reserved
h'1	Dolby Digital (AC-3) data
h'2	Time Stamp
h'3~h'1f	Reserved

Table 5.6 Values of data_type_dependent when data_type = 1

burst_info Bit Number	data_type_dependent Bit Number	Meaning
8-10	0-2	Value of bsmode in AC-3 elementary stream
11-12	3-4	Reserved, shall be set to '00'

5.3 MCU Interface

M65863FP supports I²C and clocked serial I/F for MCU I/F, You can chose one of them with Pin 'MCUSEL'. When MCUSEL=1, I²C is selected. When MCUSEL=0, clocked serial I/F is selected. In either case, M65863FP works as a slave.

5.3.1 I²C Interface

I²C bus consists of 2 bidirectional lines:the serial data (HSDA) line and the serial clock (HACL) line as shown in figure 5.13. MCU communicates with M65863FP by using I²C bus.

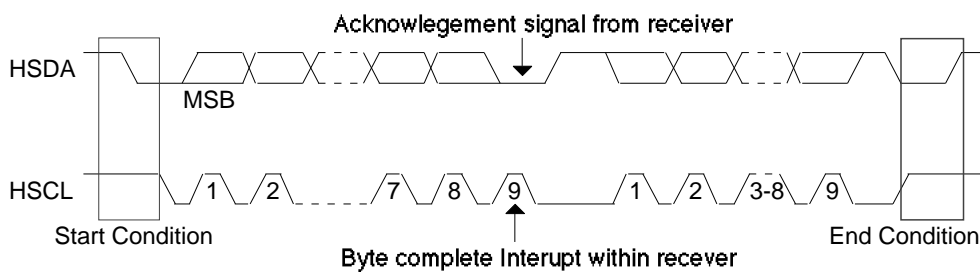


Figure 5.13 Data Transfer on the I²C BUS

I²C bus uses a 7 bit address and clock rate is 100 kHz. Figure 5.14 is an example of 7 bit address. Slave address of M65863FP: "0011110"

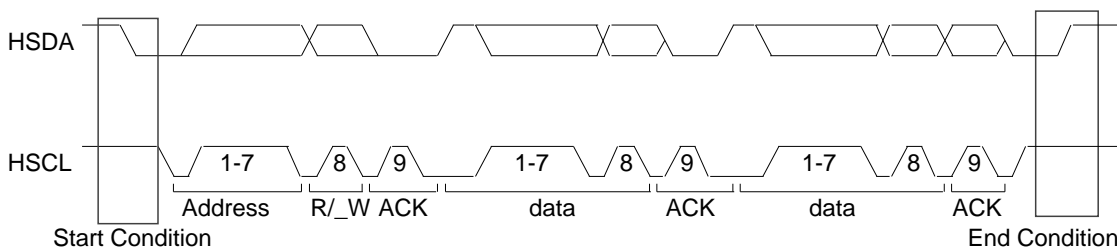


Figure 5.14 Data Transfer (7 bit address)

The typical operations such as write operation or read operation are shown as follows. S indicates START and P indicates STOP. A means acknowledgement signal.

Write operation :

Figure 5.15 shows a typical I²C packet where the host micro (master) writes bytes to the M65863FP (slave).

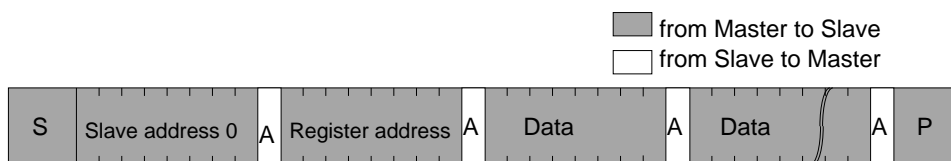


Figure 5.15 Master Writes to M65863FP(slave) Register

Read operation :

Figure 5.16 shows a typical I²C packet where the host micro (master) writes a register address and then reads bytes from the M65863FP.



Figure 5.16 Master reads from M65863FP(slave) Register

Multiple-byte accessing operation:

In this operation, M65863FP sends data in order to host micro. Figure 5.17 shows an example of a packet where the host micro continues reading from the M65863FP.

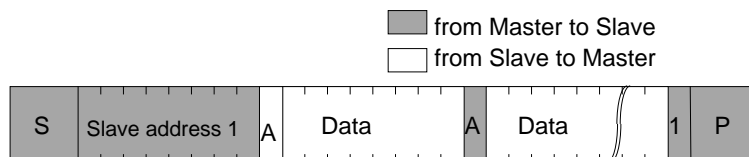


Figure 5.17 Master reads from M65863FP(slave) Register Continuously

General Call addressing:

The M65863FP supports a subset of the general call address. When M65863FP(AD3) receives "00000110" described in figure 5.18 after a general call address, M65863FP resets the programmable register after STOP condition is detected.

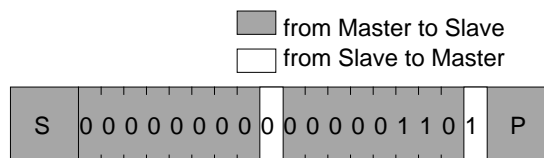


Figure 5.18 General Call Packet to Reset the M65863FP

5.3.2 Synchronized Serial (4 line) Interface

In synchronized serial interface, communication with MCU is made by using 4 signal lines: $_SS$, SCLK, SI and SO. $_SS$ is enable line, SCLK is transmission clock, SI is data input and SO is data output. Transmission is carried out in the unit of 1 byte, MSB first. In the case of data input, M65863FP takes in 8 byte data which remains in the buffer (shift register) at the time $_SS$ is enabled. In the case of data output, 1 byte data following the clock immediately after $_SS$ was enabled is output. Data input SI is latched at the falling edge of clock SCLK, and data output SO is output at the rising edge of clock SCLK. Also when $_SS$ is disabled, M65863FP ignores the input from SI and the SCK clock, while Hi-Z is output from SO.

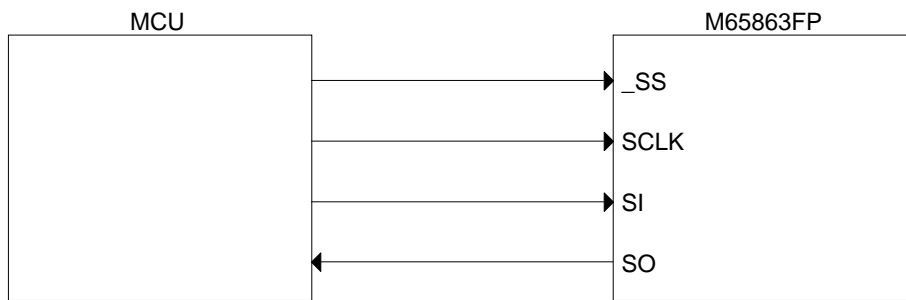


Figure 5.19 Connections Between MCU and M65863FP

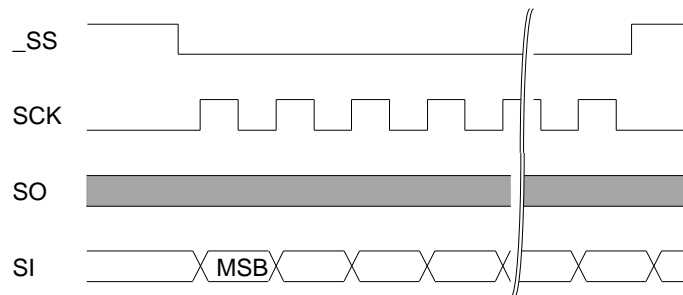


Figure 5.20 Data Transfer from a Master to M65863FP

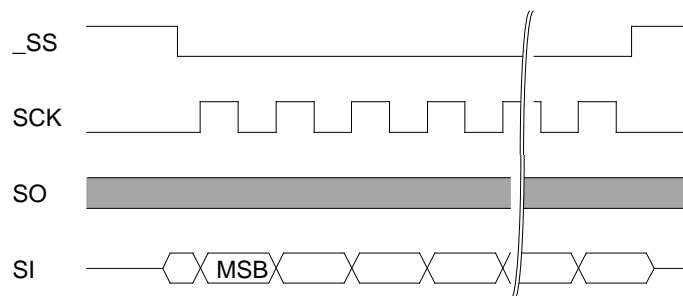


Figure 5.21 Data Transfer from M65863FP to a Master

When reading from M65863FP, specify in the 1 byte the start address of reading (7 bits) following 0 (1 bit) which indicates reading operation, and specify in the 2 byte the number of bytes to be read. M65863FP outputs data according to the clock from MCU that follows.

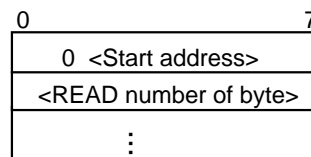


Figure 5.22 Instructions of Reading Registers of M65863FP

When writing into M65863FP, specify in the 1 byte the start address of writing (7 bits) following 1 (1 bit) which indicates writing operation, and specify in the 2 byte the number of bytes to be written. Thereafter, specified number of bytes of data to be written is transmitted.

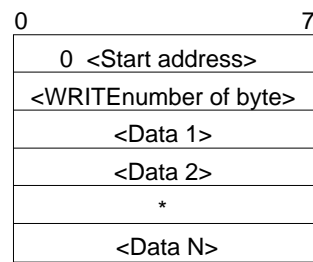


Figure 5.23 Instruction of Writing Registers of M65863FP

5.4 Main/Sub Chip Interface

Dual stream(Main effect and Associated service) can be decoded with 2 M65863FP chips. In this case, set asmix (control register) to High on both chips and specify chip mode(mainchip or subchip) on either chip with Chipmode(control register). Main chip and sub chip decode main effect and associate service respectively. The Main chip and Sub chip communicate with each other in the following manner.

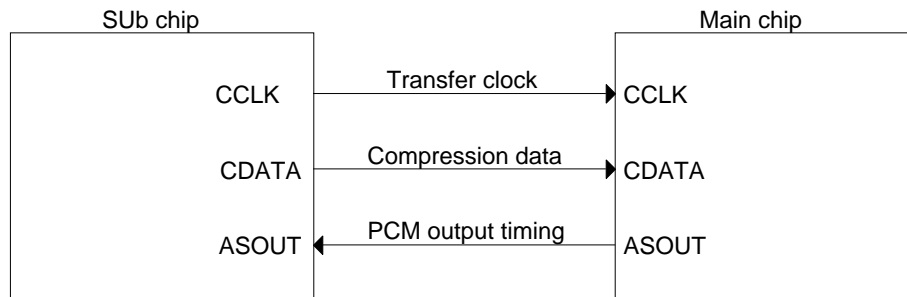


Figure 5.24 Connections Between Main Chip and Sub Chip

The sub chip transmits data(compre, dynrng, compr, dynrng, compr2e, dynrng2e, compr2, dynrng2) to the main chip using CCLK and CDATA. CDATA is synchronized with the falling edge of CCLK. The sub chip transmits 36 bit data immediately after start bits(00).

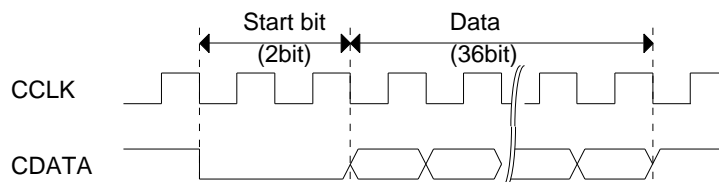


Figure 5.25 Data Transfer from Sub Chip to Main Chip

The main chip transmits synchronization clock to the main chip on ASOUT. ASOUT synchronizes with the the first PCM outputs of a frame and the clock cycle is 256fs.

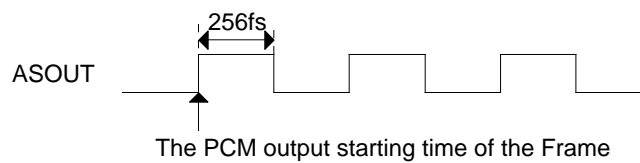


Figure 5.26 PCM Output Synchronization Signal Between Main Chip and Sub Chip

Chapter 6

Description of Operation

6.1 Basic Control Flow

Figure 6.1 shows the basic flow of control procedure. For details, refer to 6.2 and the following sections.

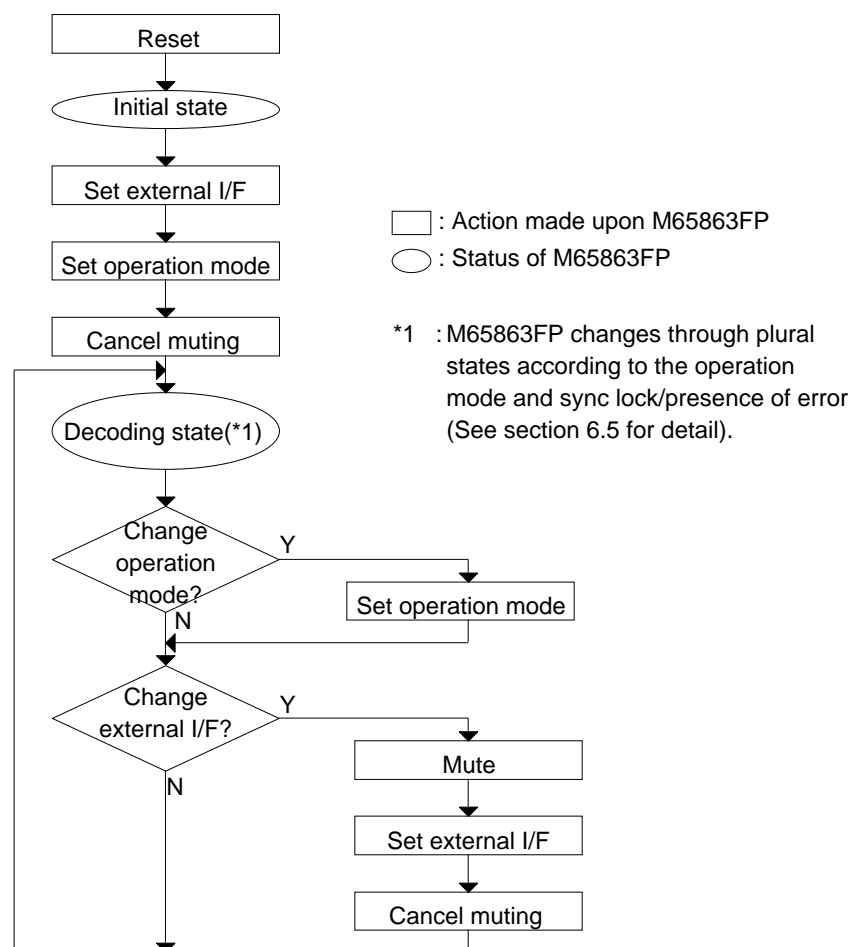


Figure 6.1 Basic Flow of Control

When reset, M65863FP enters the initial state by executing the initialization routine. In the initial state, all control registers are set to their default values.

When the initialization routine has completed, set the external interface and operation mode by writing over the values of the control registers. Unless otherwise stated, external interface can be set only once immediately after resetting. In the initial state, output is automatically muted because the control register muteonoff is 1. When the external interface and decoding mode have been set, set the control register muteonoff to 0 and enable the PCM output.

When locked in synchronization and it is verified that the transmitted data has no error, M65863FP carries out decoding according to the operation mode and outputs PCM. When an error such as out-of-sync and

CRC error in the transmitted data is detected, M65863FP mutes the output. Some of external interfaces and operation mode can be changed even while decoding. When changing external interface, however, mute the output by using the control register muteonoff or external terminal `_AMUTE`. When changing the operation mode, on the other hand, M65863FP automatically mutes the output.

6.2 Resetting and Initial State

Figure 6.2 shows the operation during resetting. At least xxx is required for the period of asserting `_RST`. If `_RST` is negated, M65863FP executes the initialization routine to set default values in the on-chip registers. The initialization routine takes 0.2msec.

Upon completion of the initialization routine, set the external interface and decoding mode by writing over the values of the control registers.

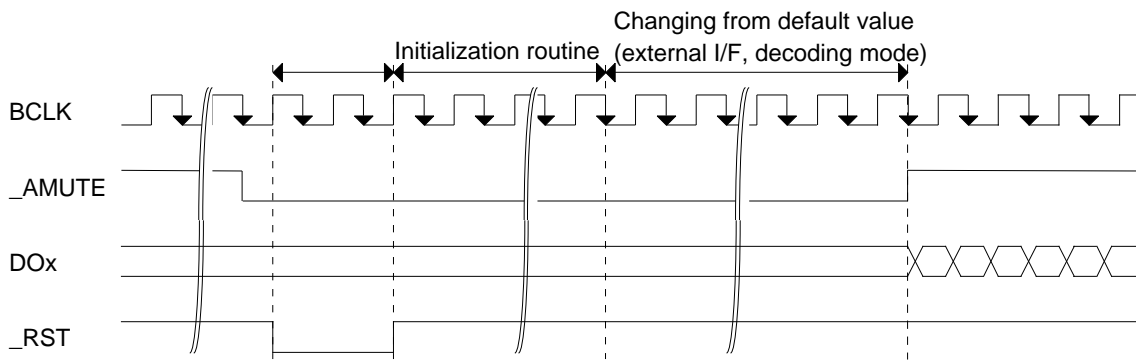


Figure 6.2 Resetting

6.3 Setting of External Interface

Set the following items by means of the control registers. For the details of the addresses and set values of the control registers, refer to section 4.4.

Settings which can be changed while M65863FP is running.

- 1) Selection of input port
Control register : inportsel
Option :
- 2) Selection of input bit length
Control register : inbitlen
Option : 16 bit, 18 bit, 20 bit, 24 bit
- 3) AC-3/PCM input mode in DIR I/F
Control register : dirdatamode
Option : Automatic judgment of AC-3/PCM, fixing to AC-3, fixing to PCM (w/mute), fixing to PCM (w/o mute)
- 4) Decoding stream number in DIR I/F
Control register : istmums
Option : b'000 - b'111
- 5) Selection of input format in the case of DIR/ADC
Control register : dirform
Option : I²C, MSB first right-justified, LSB first right-justified
- 6) Selection of output mode
Control register : dspif
Option : DAC I/F, DSP I/F
- 7) Selection of output format
Control register : dacform
Option : I²C, MSB first right-justified, LSB first right-justified
- 8) Output bit length
Control register : outbitlen
Option : 16 bit, 18 bit, 20 bit, 24 bit

If you want to change the above settings during PCM output, mute the output by using the control register muteonoff or external terminal _AMUTE.

Items which can be set only once immediately after resetting

- 1) Selection of LRCK/BCLK mode
Control register : dacclkmode
Option : Generation by M65863FP (master), use of input ALRCK, ACLK (slave)
- 2) Whether dual stream decoding or not
Control register : asmix
Option : Single stream decoding, dual stream decoding
- 3) Number of sync words required before sync-lock
Control register : synclock
Option : 1 to 7
- 4) Input mode in the case of DEMUX I/F
Control register : burstcont
Option : Input till buffer-full, input frame by frame
- 5) Selection of SYNCRST function in the case of DEMUX I/F
Control register : syncrsten
Option : No use of SYNCRST, SYNCRST mode A, SYNCRST mode B

6.4 Selection of Operation Mode

M65863FP supports the following operation modes. Mode varies depending on the setting of control register and the input stream. Operation mode can be changed even during PCM output by M65863FP. When changing the mode, M65863FP automatically mutes the output to prevent abnormal sound.

1) Dolby Digital (AC-3) + Pro Logic decoding mode

This mode is achieved when the following 2 conditions are satisfied.

- a) Control register dirdatamode is 00 and AC-3 input is affirmed or control register dirdatamode is 01.
- b) Control register pdecmode is 01, or pdecmode is 10 and dsumode in the input AC-3 stream is 10.

2) Dolby Digital (AC-3) decoding mode

This mode is achieved when the following 2 conditions are satisfied.

- a) Control register dirdatamode is 00 and AC-3 input is affirmed, or control register dirdatamode is 01.
- b) Control register pdecmode is 00, or pdecmode is 10 and dsumode in the input AC-3 stream is other than 10.

3) PCM + Pro Logic decoding mode (on/off switching of de-emphasis process enabled)

This mode is achieved when control register dirdatamode is 00 and PCM input is affirmed, or when control register dirdatamode is either 10 or 11 and control register pdecmode is 01. Pro Logic decoding mode can further be changed by means of control registers autobal and narwid. De-emphasis can be switched on/off by means of control register dempha and external terminal DEMPFA.

4) PCM through mode (on/off switching of de-emphasis process enabled)

This mode is achieved when control register dirdatamode is 00 and PCM input is affirmed, or when control register dirdatamode is either 10 or 11 and control register pdecmode is 00. De-emphasis can be switched on/off by means of control register dempha and external terminal DEMPFA.

5) Noise output mode

This mode is achieved by setting a value 1 in any of control registers (Inoise, cnoise, rnoise, srnoise, slnoise, swnoise).

Only the operation mode 1, 2 and 5 are supported in the case of DEMUX I/F. When control register dirdatamode is 00, AC-3/PCM is automatically determined which is carried out by searching IEC958sync preamble. M65863FP outputs the current status (AC-3 input/PCM input) through the external terminal DIRSTAT. For details, refer to the description on control register dirdatamode in section 4.4.

The following settings can be done in Dolby Digital (AC-3) decoding mode.

1) Number of output channels

Control register : outchmode
Option : 1ch to 5ch

2) Output during dual monaural mode

Control register : stereo
Option : Output of ch1 only, output of ch2 only, output of ch1 from Lch and ch2 from Rch, output of ch1+ch2

3) Compression mode

Control register : compmod
Option : RF mode, LINE mode, custom A, custom B

4) Dynamic range compression scaling

Control register : hcompssc, lcompssc
Option : No compression (h'00) to Full compression (h'7f)

- 5) Dialog level adjustment
Control register : dialevel
Option : h'0000 (=0.0) to h'7fff (=1.0)

6.5 Decoding Status

M65863FP takes the following states during Dolby Digital (AC-3) decoding. Current status can be checked by means of the status register and external terminal. For detail, refer to 3. Input/output pins and 4.3 Status register.

- 1) Out-of-sync status
State of being out of synchronization. Output is muted. In this state, when sync word is successfully detected successively the number of times specified in the control register synclock, M65863FP enters the normal decoding status.
- 2) Sync lock & muting status
A state in which output is muted because, although synchronization is established, an error was detected in external direction (external terminal AMUTE, control register muteonoff) or in the stream. M65863FP enters the normal decoding status when the external direction is canceled or the error in the stream is removed. When detection of sync word fails twice successively, on the contrary, M65863FP comes out of synchronization. When control register syncrsten is 01 or 10, assertion of external terminal SYNCRST also results in the status of out of synchronization.
- 3) Normal decoding status
A state of decoding normally carried out with PCM being output. This state is achieved if synchronization is locked and no error is detected in the data stream. When detection of sync word fails 2 successively in this state, M65863FP comes out of synchronization. When control register syncrsten is 01 or 10, assertion of external terminal SYNCRST also results in the status of out of synchronization.
M65863FP autonomously changes through the above states except for the operations of the external terminal SYNCRST.

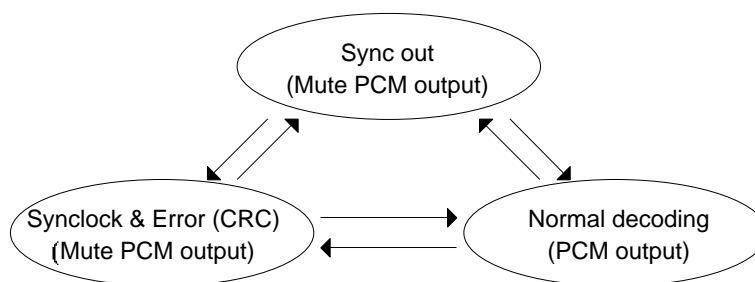


Figure 6.3 Decode status transition

6.6 Muting Operation

When an error is detected in the data stream which is being input, or when directed by the control register (muteonoff) and external (AMUTE), M65863FP mutes the output PCM. Specifically, muting operation is carried out in the following cases.

- 1) CRC1/CRC2 error and encode error are detected during Dolby Digital (AC-3) decoding. Encode error refers to a case when an abnormal value is detected in bitstream in spite of normal result of CRC check.
- 2) sync preamble is detected when control register dirdatamode is 10 and PCM input is under way.
- 3) External terminal AMUTE is asserted.
- 4) Control register muteonoff is 1.

Mute ON/mute OFF operation when decoding Dolby Digital (AC-3) is carried out by using 256 samples by means of the window function defined in Dolby Digital (AC-3).

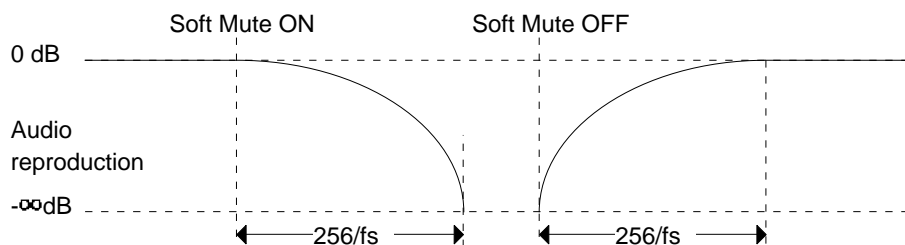


Figure 6.4 Soft Mute Function

6.7 Decoding Delay

Dolby Digital (AC-3) decoding delay of M65863FP varies between the cases of DIR I/F input and DEMUX I/F input.

<Decoding delay with DIR I/F>

Decoding delay is given by the following equation.

$$\text{Decoding delay} = 1 \text{ frame transmission time} * 2/3 + 1 \text{ audio block period}$$

For example, when sampling frequency is 48kHz and bit rate of stream data is 384 kbps (length of 1 frame is 768*16 bits), decoding delay becomes approx. 11ms because the two terms in the above equation have the following values.

$$\text{Transmission time of 1 frame} : (768*16)/(48000*32)*2/3 = 5.3\text{msec}$$

$$1 \text{ audio block period} : 256/48000 = 5.3\text{msec}$$

<Decoding delay with DEMUX I/F>

Decoding delay in the case of DEMUX I/F is different from the case of DIR I/F, because PCM output and IEC958 output of AC-3 stream are synchronized. In the case of DEMUX I/F mode B, decoding delay is different from the cases of other modes, because it is assumed that AC-3 stream has already been input to the input buffer in this case.

When in mode A

$$\text{Decoding delay} = 1 \text{ frame transmission time} + 1 \text{ audio block period}$$

For example, when sampling frequency is 48kHz and AC-3 stream is continuously transmitted, decoding delay becomes approx. 37msec.

$$\text{Transmission time of 1 frame} : 1536/48000 = 32\text{msec}$$

$$1 \text{ audio block period} : 256/48000 = 5.3\text{msec}$$

When in mode B

$$\text{Decoding delay} = 1 \text{ audio block period}$$

In the case of Dolby Digital (AC-3) decoding, M65863FP does not support surround/center delay. In the case of Pro Logic decoding, surround delay is fixed at 15ms.

6.8 Output Mode

Output channel mode is controlled by the control register.

One of Dual Mono, 1/0, 2/0, 2/1, 2/2, 3/0, 3/1, 3/2 modes can be selected. The number of output channels depends on the encoded data. Maximum channels are limited by the encoded data except for 1/0 encoded data and Pro Logic encoded data.

In the case of 1/0 encoded data, 2/0 (monaural stereo) output mode can be selected. Pro Logic encoded data is the same as the 3/1 mode. If a high number of channels beyond the input data channels is specified for output in the output mode, the over-channels output data is '0'.

One of 4 output modes can be selected when the main audio services the Dual Mode.

Table 6.1 Output Channel Selection

Encode Channel Mode	Available Output Channel Form
1+1(Dual Mono)	Ch1->L Ch1->R Ch2->L Ch2->R Ch1->L Ch2->R (Ch1+Ch2)->L (Ch1+Ch2)->R
1/0	1/0, 2/0 (monaural stereo)
2/0	1/0, 2/0
3/0	1/0, 2/0, 3/0
2/1	1/0, 2/0, 2/1, 2/2
3/1	1/0, 2/0, 3/0, 2/1, 2/2, 3/1, 3/2
2/2	1/0, 2/0, 2/1, 2/2
3/2	1/0, 2/0, 3/0, 2/1, 2/2, 3/1, 3/2
Pro Logic (2/0)	1/0, 2/0, 3/0, 2/1, 2/2, 3/1, 3/2

Chapter 7

Clock Oscillator

M65863FP allows it to form oscillation circuit and a frequency quadruplier (PLL) circuit by connecting an oscillator element, resistor and capacitor on the outside. This enables it to generate the clock required for the internal operation, though auto-oscillation by using low-frequency external clock.

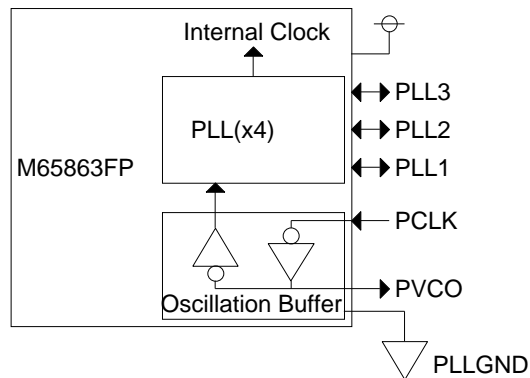


Figure 7.1

7.1 Clock Oscillator

Oscillation circuit can be formed by connecting an oscillator element, a feedback resistor and load capacitors to the PCLK and PVCO terminals as shown below.

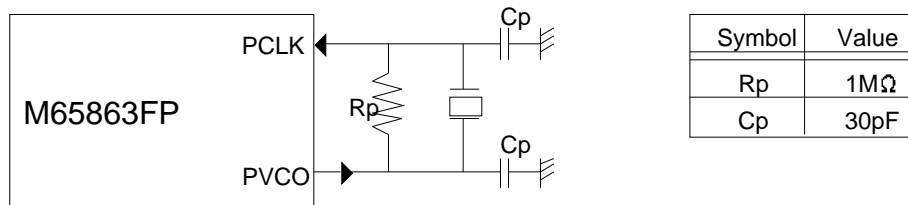


Figure 7.2 Configuration for Clock Oscillator

When external clock is used
External clock can be directly to the PCLK terminal.

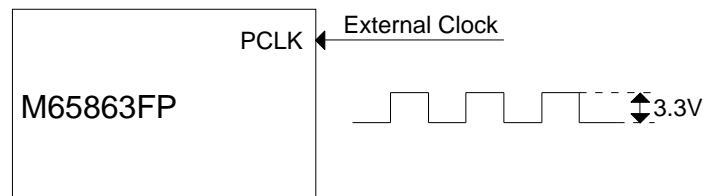
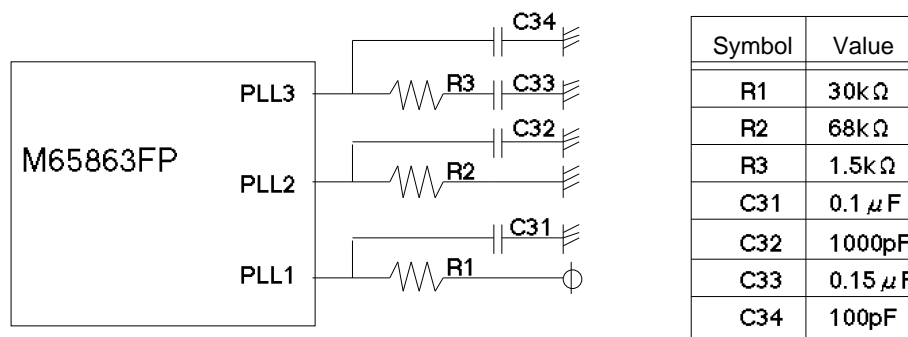


Figure 7.3

7.2 Frequency Quadrupler Circuit

A frequency quadrupler circuit can be formed by connecting a loop filter to PLL3 terminal, a PLL stabilizer resistor to PLL2 terminal and a current reference resistor to PLL1 terminal.



(Preliminary)

Figure 7.4

Chapter 8

M65863FP Typical Configuration

An example of wiring for a system of Dolby Digital (AC-3) 6ch application is illustrated below.

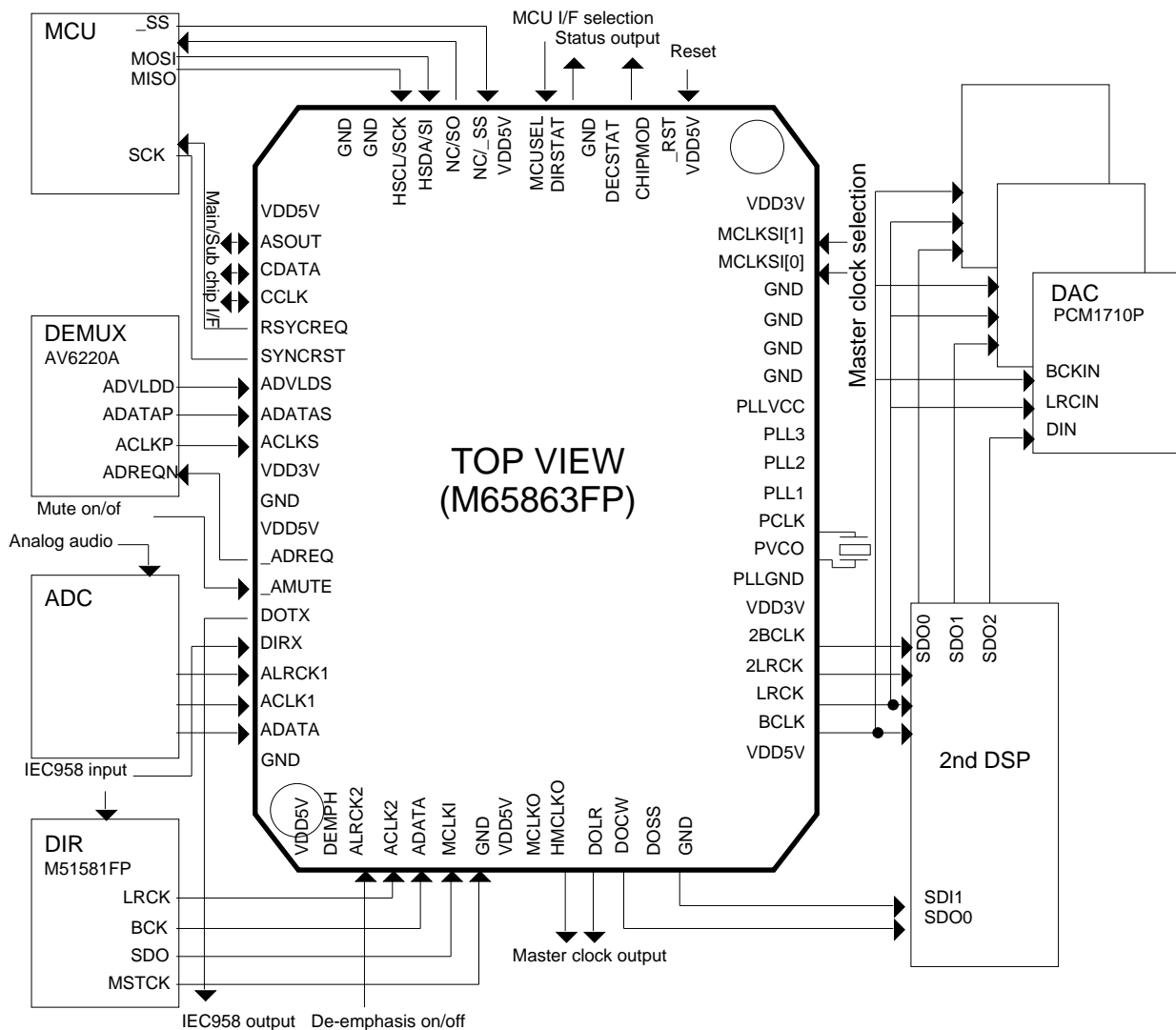


Figure 8.1

<Complementary notes>

- 1) All or part of DEMUX, ADC and DIR can be connected to M65863FP as audio inputs.
- 2) 2nd DSP assumes processes such as center/surround delay and crossover filter to be done. When limited to AC-3 2ch output, output of M65863FP can be directly connected to DAC.
- 3) MCU I/F supports I2C I/F as well as the above (synchronized 4 line serial).
- 4) While M65863FP functions as clock master with respect to LRCK/BCLK of 2nd DSP and DAC, such an application is possible as M65863FP functions as slave while ALRCK and ACLK from DIR/ADC are supplied to 2nd DSP and DAC.

Chapter 9

Electrical Characteristics

9.1 Absolute Maximum Ratings

Ta=25

Symbol	Characteristics	Value	Unit
VDD5V	Supply voltage (I/O)	-0.3 to +6.5	V
VDD3V	Supply voltage	-0.3 to +4.5	V
PLLVCC	Supply voltage (PLL)	-0.3 to +4.5	V
VI	Input voltage (I/O)	GND-0.3 VI VDD5V+0.3	V
	Input voltage(PLL)	GND-0.3 VI PLLVCC+0.3	V
VO	Output voltage(I/O)	GND VO VDD5V	V
	Output voltage(PLL)	GND VO PLLVCC	V
Pb	Power consumption	910	mW
Topr	Operating temperature range	-20 to +75	°C
Tstg	Storage temperature	-40 to +125	°C

9.2 Operating Conditions

Symbol	Characteristics	Condition for Measuvment	Value			Unit
			min	typ	max	
VDD5V	Supply voltage(I/O)		4.5	5	5.5	V
VDD3V	Supply voltage		3	3.3	3.6	V
PLLVCC	Supply voltage(PLL)		3	3.3	3.6	V
VIH	Input High voltage(I/O)		0.7XVDD5V	-	VDD5V	V
VIL	Input Low voltage(I/O)		GND	-	0.3XVDD5V	V
fpclk	Frequency at external clock		-	10?	-2	MHz

9.3 DC Characteristics

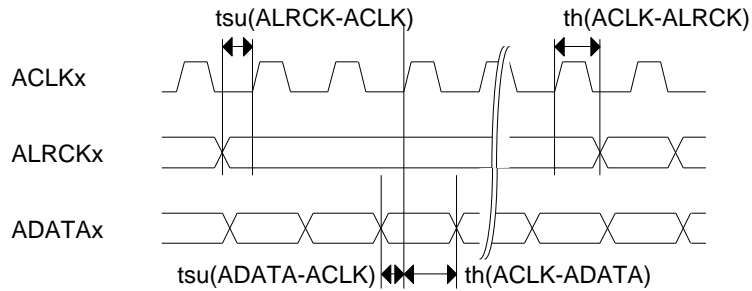
Ta= -20 to 75, VDD5V=5V, VDD3V=3.3V, PLLVCC=3.3V

Symbol	Characteristics	Condition for Measurement	Value			Unit
			min	typ	max	
IDD	Supply Current	fpcik=???MHz	-	-	TBD	mA
VOH	Input High voltage (I/O)	VDD5V=5V, IIOI<1μA	4.95	-	-	V
VOL	Input Low voltage (I/O)	VDD5V=5V, IIOI<1μA	-	-	0.05	V
IOH	Output current (I/O), 2mA buffer	VDD5V=4.5V, VOL=4.1V	2	-	-	mA
	Output current (I/O), 4mA buffer		4	-	-	mA
IOL	Output current (I/O), 2mA buffer	VDD5V=4.5V, VOL=0.4V	-	-	-2	mA
	Output current (I/O), 4mA buffer		-	-	-4	mA
IIH	High input current (I/O)	VDD5V=5.5V, VI=5.5V	-10	-	10	μA
IIL	Low input current (I/O)	VDD5V=5.5V, VI=0V	-10	-	10	μA
IOZH	High off state output leak current (I/O)	VDD5V=5.5V, VI=5.5V	-10	-	10	μA
IOZL	Low off state output leak current (I/O)	VDD5V=5.5V, VI=0V	-10	-	10	μA

9.4 AC Characteristics

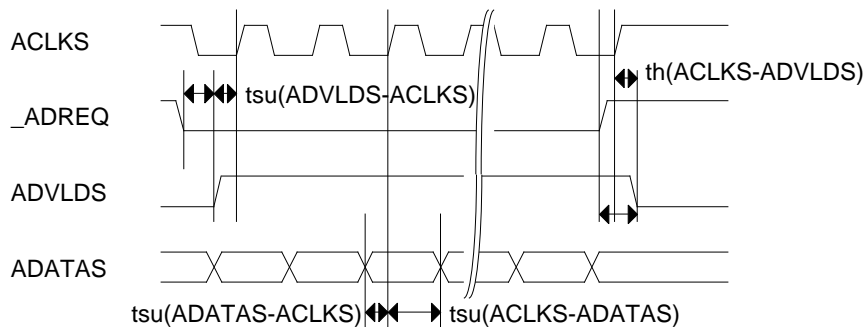
Characteristic of timing

<DIRADC IF>



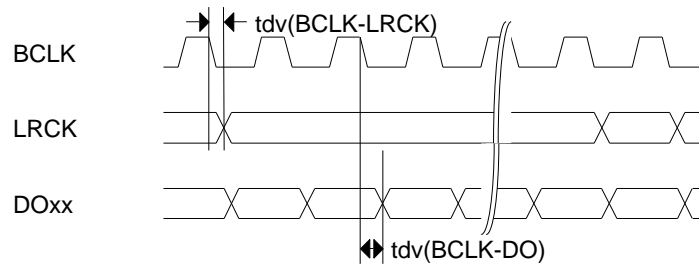
Symbol	Characteristics	min	typ	max	Unit
$tsu(ALRCK-ACLK)$	Setup time, ALRCK and ACLK	5	-	-	ns
$th(ACLK-ALRCK)$	Hold time, ALRCK and ACLK	6	-	-	ns
$tsu(ADATA-ACLK)$	Setup time, ADATA and ACLK	8	-	-	ns
$th(ACLK-ADATA)$	Hold time, ADATA and ACLK	8	-	-	ns

<DEMUX IF>



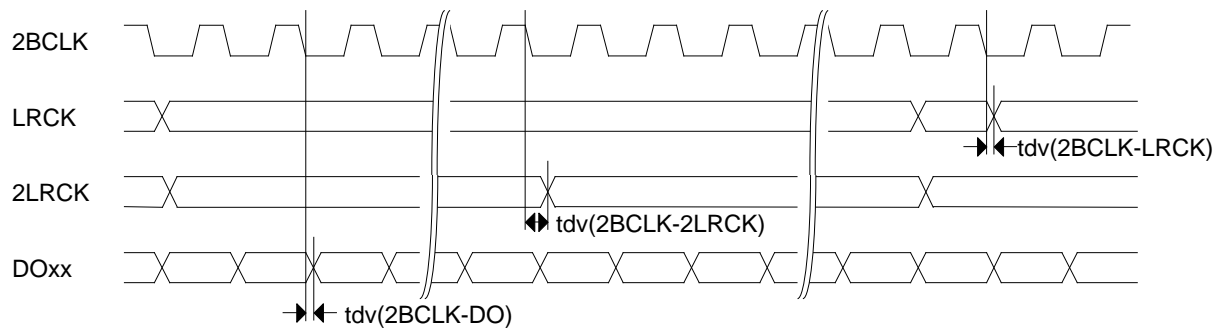
Symbol	Characteristics	min	typ	max	Unit
$tsu(ADVLDS-ACLKS)$	Setup time, ALRCK and ACLKS	5	-	-	ns
$th(ACLKS-ADVLDS)$	Hold time, ALRCK and ACLKS	6	-	-	ns
$tsu(ADATAS-ACLKS)$	Setup time, ADATA and ACLKS	8	-	-	ns
$th(ACLKS-ADATAS)$	Hold time, ADATA and ACLKS	7	-	-	ns

<DAC IF>



Symbol	Characteristics	min	typ	max	Unit
tdv(BCLK-LRCK)	LRCK output delay	-	-	15	ns
tdv(BCLK-DO)	DO output delay	-	-	25	ns

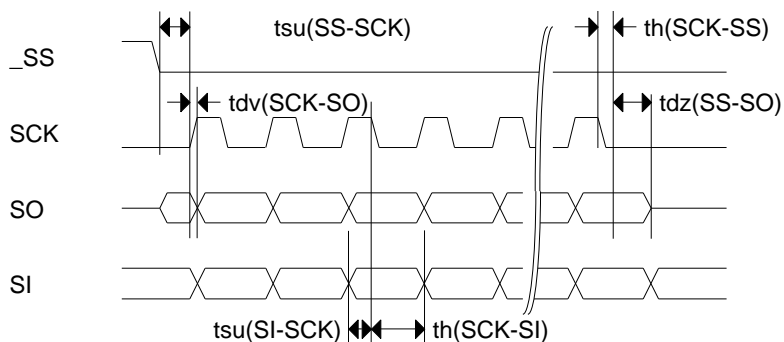
<DSP IF>



Symbol	Characteristics	min	typ	max	Unit
tdv(2BCLK-LRCK)	LRCK output delay	-	-	15	ns
tdv(2BCLK-2LRCK)	2LRCK output delay	-	-	15	ns
tdv(2BCLK-DO)	DO output delay	-	-	25	ns

<Clocked serial MCU I/F>

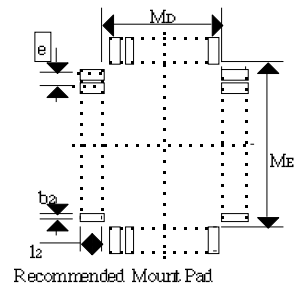
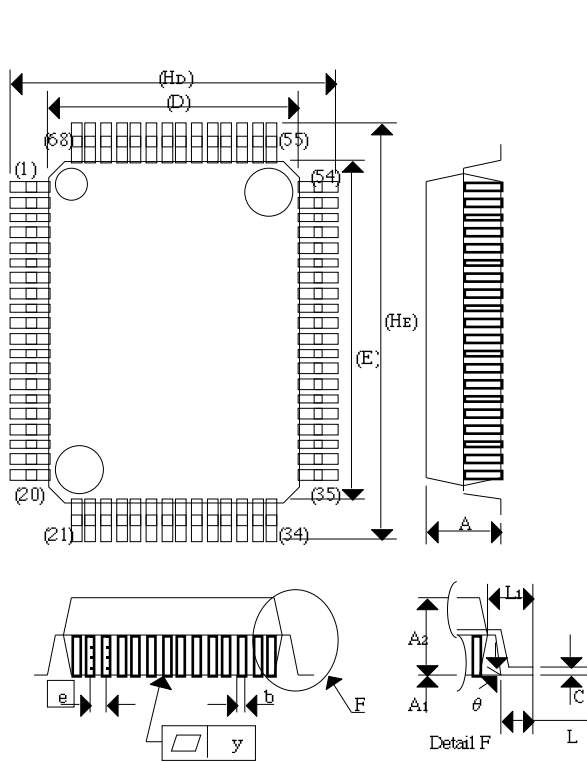
EIAJ Package Code	JEDEC Code	Weight(g)	Lead Material
QFP68-P-1014-0.65	---	0.79	Alloy 42



Symbol	Characteristics	min	typ	max	Unit
tsu(SS-SCK)	Setup time, _SS and SCK	10	-	-	ns
th(SCK-SS)	Setup time, _SS and SCK	10	-	-	ns
tdv(SCK-SO)	SO output delay	-	-	15	ns
tdz(SS-SO)	SO disable delay	-	-	10	ns
tsu(SI-SCK)	Setup time, SI and SCK	10	-	-	ns
th(SCK-SI)	Hold time, SI and SCK	10	-	-	ns

Chapter 10

Package



Recommended Mount Pad

Symbol	Dimension in Millimeters		
	Min	Nom	Max
A	-	-	3.05
A ₁	0	0.1	0.2
A ₂	-	2.8	-
b	0.25	0.3	0.4
c	0.13	0.15	0.2
D	9.8	10.0	10.2
E	13.8	14.0	14.2
e	-	0.65	-
H _D	12.5	12.8	13.1
H _F	16.5	16.8	17.1
L	0.4	0.6	0.8
L ₁	-	1.4	-
y	-	-	0.1
θ	0	-	10
b ₂	-	0.35	-
l ₂	1.3	-	-
M _D	-	10.6	-
M _E	-	14.6	-

Appendix A

Licensing Procedure Guidelines for Dolby Digital (AC-3) / Pro Logic

Any parties interested in the manufacture and sale of products incorporating Dolby Digital (AC-3)/Pro Logic technologies will first require a license from Dolby Laboratories Licensing Corporation. Dolby Laboratories has standard license agreements for this purpose, which have been signed by 200 organizations in over 30 countries.

Following is a list of procedures a customer must follow before they can manufacture and sell products incorporating Dolby Digital (AC-3)/Pro Logic technologies.

- 1) The customer fills a confidential questionnaire to help Dolby Laboratories determine whether or not the customer has the infrastructure, facilities and engineering expertise to develop, manufacture, and sell a product meeting Dolby's specifications.
- 2) Once approved to proceed with development, the customer signs a product agreement with Dolby and pays a predetermined initial fee. At this point Dolby provides the customer with complete technical documentation and support.
- 3) The customer provides Dolby Laboratories with preliminary functional specification for review.
- 4) After specification approval the customer submits a product prototype for review.
- 5) Once the prototype is approved the countersigned copies of the agreement are returned to the licensee(customer).
- 6) Licensee may sell the product.

Mitsubishi Electric Corporation reserves the right to make changes to its product(s) or information contained herein without notice. No liability is assumed as a result of their use or application. No rights under any patent accompanies the sale of any such product(s) or information.

Copyright (C)1998 MITSUBISHI ELECTRIC CORPORATION. All rights reserved.

Printed in Japan

April 1998