

## PIN Diode $\pi$ Quad Attenuator

### Features

- 4 PIN diodes in a SOT-25 Plastic Package
- Externally Selectable Bias and RF Matching Network
- Lead-Free (RoHS Compliant) Equivalents Available with 260 °C Reflow Compatibility
- 5 – 3,000 MHz Useable Frequency Band
- + 45 dBm IIP3 @ 1 GHz (50  $\Omega$ )
- 2.8 dB Loss @ 1 GHz (50  $\Omega$ )
- 36 dB Attenuation @ 1 GHz (50  $\Omega$ )

### Description and Applications

M/A-COM's MA4P290-1225T & MADP-007167-12250T RoHS equivalent product is a wideband, moderate insertion loss, high IP3, PIN Diode  $\pi$  Quad Attenuator in a low-cost, surface mount SOT-25 package. Four PIN Diodes in one package reduce circuit parasitics and improve circuit density.

These PIN Diode Attenuators perform well where Variable RF Amplitude Control is required in 50 and 75  $\Omega$  circuit applications.

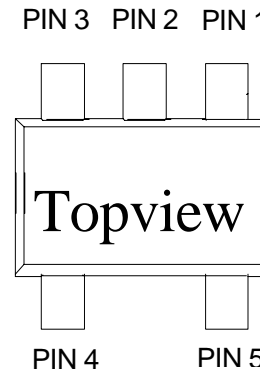
Wideband Attenuation Range, Frequency Flatness,

### Absolute Maximum Ratings @ 25 °C<sup>1</sup>

Parameter	Absolute Maximum
Operating Temperature	-65 °C to +125 °C
Storage Temperature (0 mW Dissipated Power)	-65 °C to +150 °C
Junction Temperature	+175 °C
DC Voltage at Temperature Extremes	-200 V
DC Current per diode	200 mA
Mounting Temperature	+235 °C for 10 seconds

1. Exceeding these limits may cause permanent damage.

### Package Outline (Topview)



Note: RF INPUT and RF OUTPUT are Functionally Symmetrical

### PIN Configuration

PIN	Function	PIN	Function
1	RF INPUT	4	Shunt 1 Bias
2	Series Bias	5	Shunt 2 Bias
3	RF OUTPUT		

Standard Part	RoHS Equivalent Part
MA4P290-1225T	MADP-007167-12250T

PIN Diode  $\pi$  Quad Attenuator

**Electrical Specifications @ 25 °C**

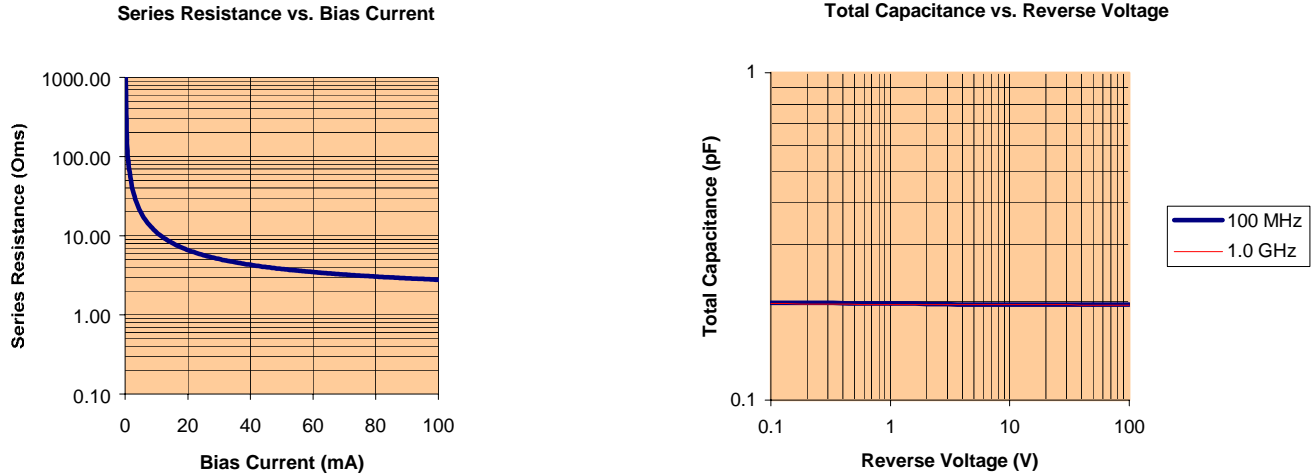
Parameter	Condition	Typical	Max.	Unit
Reverse Current ( $I_R$ )	$V_r = 200\text{ V}$		10	$\mu\text{A}$
Capacitance ( $C_T$ )	$F = 1\text{ MHz}, V = 50\text{ V}$	0.20	0.30	pF
Resistance ( $R_S$ )	$F = 100\text{ MHz}, I = 1\text{ mA}$	85		$\Omega$
Resistance ( $R_S$ )	$F = 100\text{ MHz}, I = 10\text{ mA}$	11	16	$\Omega$
Resistance ( $R_S$ )	$F = 100\text{ MHz}, I = 100\text{ mA}$	3		$\Omega$
Minority Carrier Lifetime ( $T_L$ )	$IF = 10\text{ mA}$	2.7		$\mu\text{S}$
I Region Width		175		$\mu\text{m}$

**Typical 50  $\Omega$  SOT-25 RF Performance @ +25 °C using Wide Band RF Circuit Design  
( Values Shown include Through Loss Calibrated Out of RF Test Circuit )**

Parameter	Frequency Range	Test Conditions	Units	Min.	Typ.	Max.
Insertion Loss	50 – 3,000 MHz	13 mA / Series Diode and 3.7 V Shunt 1 and 2 Bias $F = 1\text{ GHz}$	dB		-2.8	
Return Loss	50 – 3,000 MHz	13 mA / Series Diode and 3.7 V Shunt 1 and 2 Bias $F = 1\text{ GHz}$	dB		-15	
Attenuation	50 – 3,000 MHz	0 mA / Series Diode and 3.7 V Shunt 1 and 2 Bias $F = 1\text{ GHz}$	dB		-36	
Input IP3	50 – 3,000 MHz	0 V / Series Diode and 3.7 V Shunt 1 and 2 Bias $F1 = 1010\text{ MHz}, F2 = 1020\text{ MHz}$	dBm		45	
Input IP3	50 – 3,000 MHz	+ 10 V / Series Diode and 3.7 V Shunt 1 and 2 Bias $F1 = 1010\text{ MHz}, F2 = 1020\text{ MHz}$	dBm		43.5	
Input IP3	50 – 3,000 MHz	0 V / Series Diode and 3.7 V Shunt 1 and 2 Bias $F1 = 110\text{ MHz}, F2 = 120\text{ MHz}$	dBm		43.5	
Input IP3	50 – 3,000 MHz	+ 10 V / Series Diode and 3.7 V Shunt 1 and 2 Bias $F1 = 110\text{ MHz}, F2 = 120\text{ MHz}$	dBm		39	
Settling Time	50 – 3,000 MHz	Within 1 dB of Final Attenuation Value $F = 1\text{ GHz}$	$\mu\text{S}$		10	
RF C.W. Incident Power	50 – 3,000 MHz	0 – 20 V Series Diode Bias and 3.7V Shunt 1 and 2 Bias	dBm		+ 20	

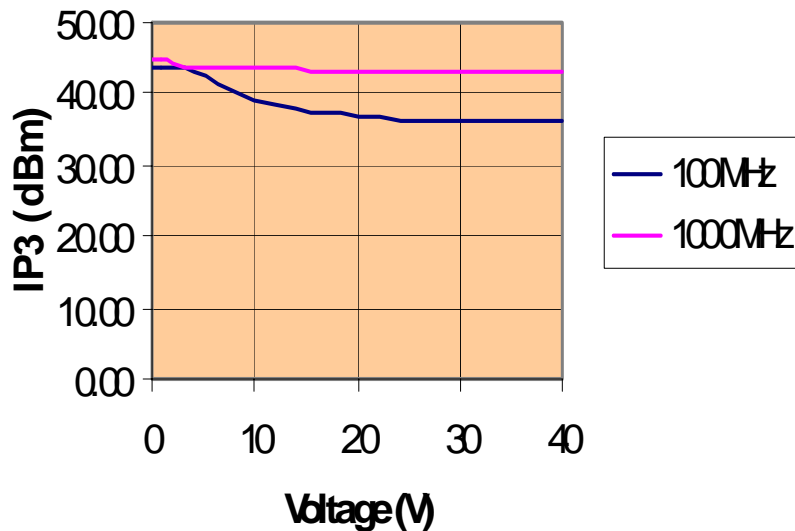
PIN Diode  $\pi$  Quad Attenuator

Typical Diode Performance Curves



Typical Attenuator Performance

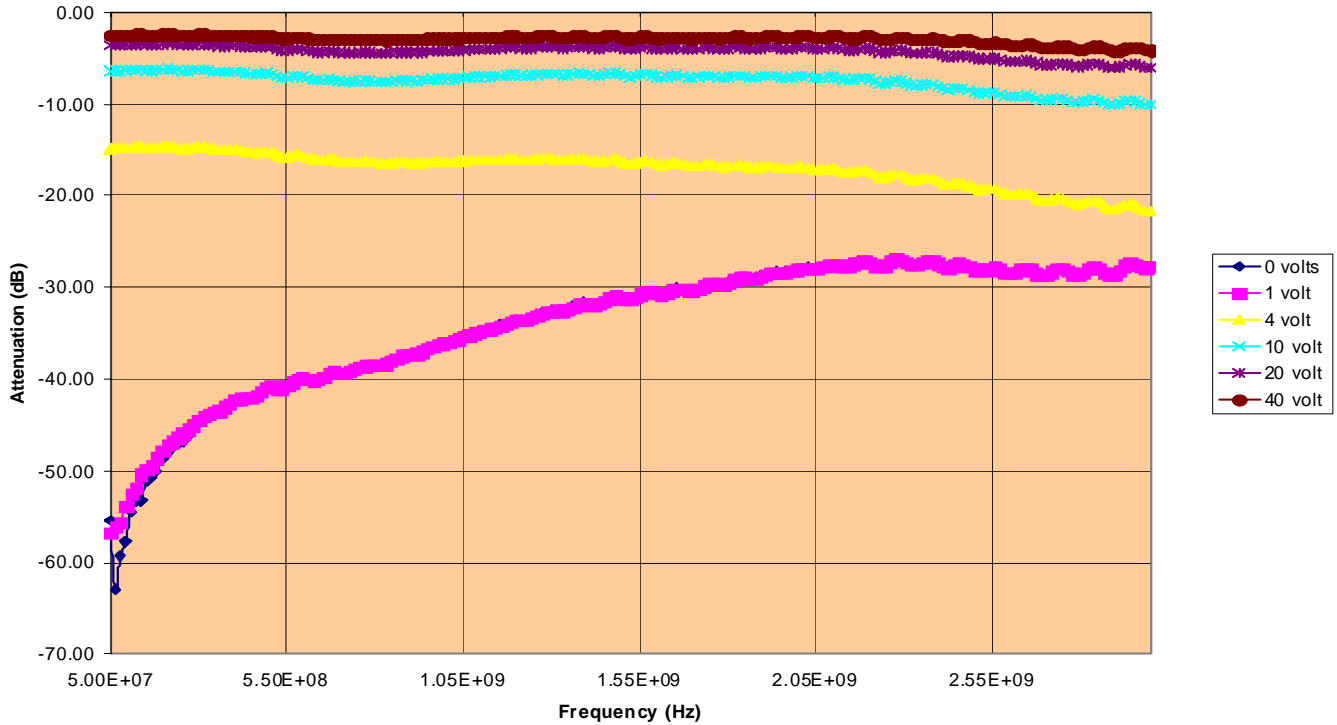
**INPUT IP3 vs VOLTAGE**



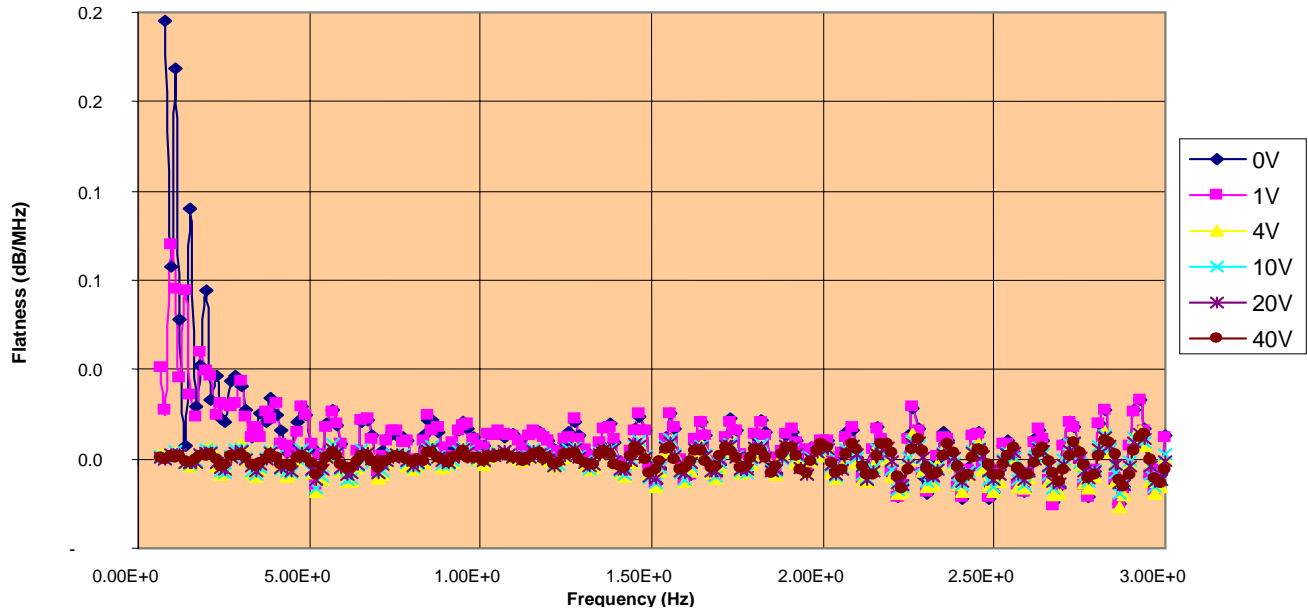
PIN Diode  $\pi$  Quad Attenuator

Typical Attenuator Performance

ATTENUATION vs. FREQUENCY

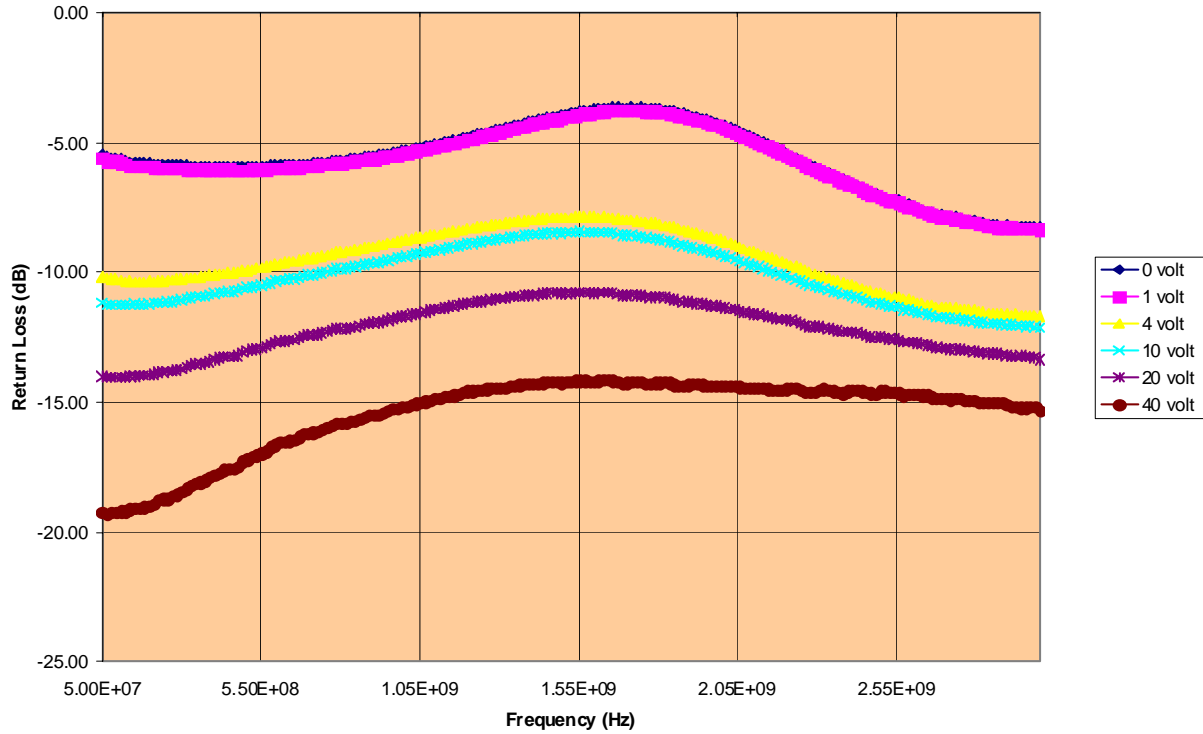


ATTENUATION FLATNESS vs. FREQUENCY



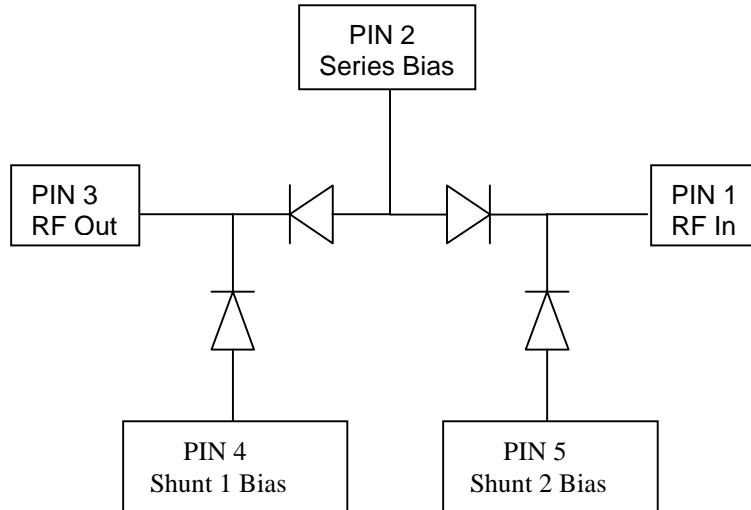
PIN Diode  $\pi$  Quad Attenuator

RETURN LOSS vs. FREQUENCY

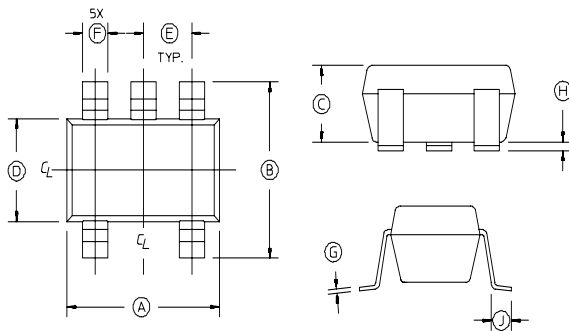


PIN Diode  $\pi$  Quad Attenuator

Functional Schematic



SOT-25  
Case Style 1225



Dim	Inches		Millimeters	
	Min.	Max.	Min.	Max.
A	.1103	.1181	2.80	3.10
B	.1023	.1181	2.6	3.00
C	0.0355	.0512	0.9	1.30
D	0.0591	.0669	1.5	1.70
E	.0374 REF.		0.95 REF.	
F	.0138	.0197	.35	.50
G	.0031	0.0079	.08	0.2
H	.0002	.0059	.05	.15
J	.0138	.0216	.35	.55