



M.S.KENNEDY CORP.

75 VOLT 5 AMP MOSFET H-BRIDGE PWM MOTOR DRIVER/AMPLIFIER

4200

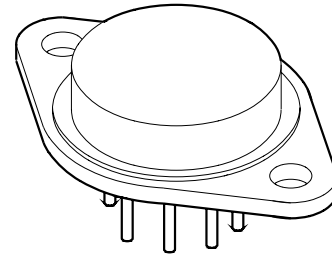
4707 Dey Road Liverpool, N.Y. 13088

(315) 701-6751

MIL-PRF-38534 CERTIFIED

FEATURES:

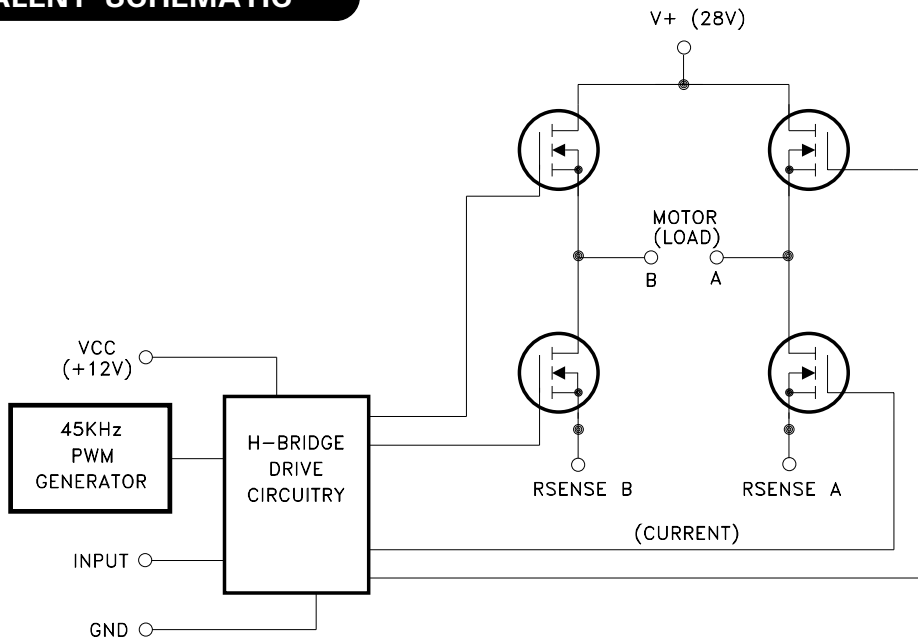
- Low Cost Complete H-Bridge
- 28 Volt, 5 Amp Capability, 75 Volt Maximum Rating
- Self-contained Smart Lowside/Highside Drive Circuitry
- Internal PWM Generation, Shoot-through Protection
- Isolated Case Allows Direct Heatsinking
- Four Quadrant Operation, Torque Control Capability
- Available Fully Screened To MIL-PRF-38534
- Replaces SA-50



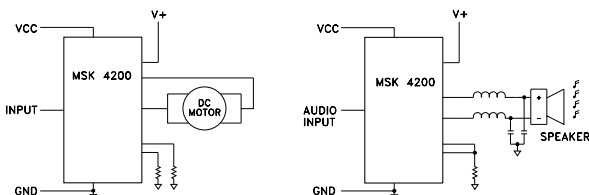
DESCRIPTION:

The MSK 4200 is a complete H-Bridge hybrid to be used for DC brushed motor control or Class D switchmode amplifier. All of the drive/control circuitry for the lowside and highside switches are internal to the hybrid. The PWM circuitry is internal as well, leaving the user to only provide an analog signal for the motor speed/direction, or audio signal for switchmode audio amplification. The MSK 4200 is packaged in a space efficient isolated 8 pin TO-3 that can be directly connected to a heatsink.

EQUIVALENT SCHEMATIC



TYPICAL APPLICATIONS



PIN-OUT INFORMATION

- | | |
|------------|------------|
| 1 RSENSE B | 5 RSENSE A |
| 2 MOTOR B | 6 Vcc |
| 3 V+ | 7 GND |
| 4 MOTOR A | 8 INPUT |

ABSOLUTE MAXIMUM RATINGS

V+	High Voltage Supply	75V
V _{CC}	Logic Supply	16V
I _{OUT}	Continuous Output Current	5A
I _{PK}	Peak Output Current	37A
V _{OUT}	Output Voltage Range — GND-2V min. To V+ max.	
θ _{JC}	Thermal Resistance @ 125°C	2.3°C/W (Output Switches)

T _{ST}	Storage Temperature Range	-65°C to +150°C
T _{LD}	Lead Temperature Range	300°C (10 Seconds)
T _C	Case Operating Temperature	
	MSK4200	-40°C to +85°C
	MSK4200B/E	-55°C to +125°C
T _J	Junction Temperature	+175°C

ELECTRICAL SPECIFICATIONS

All Ratings: T_C = +25°C Unless Otherwise Specified

Parameter	Test Conditions	Subgroup Group A ⑤	MSK 4200B/E③			MSK 4200 ②			Units
			Min.	Typ.	Max.	Min.	Typ.	Max.	
OUTPUT CHARACTERISTICS									
V _{DS(ON)} Voltage (Each MOSFET)	I _D = 5A	1	-	1.5	1.8	-	1.5	2.16	V
		2	-	2.2	2.4	-	-	-	V
		3	-	1.1	1.2	-	-	-	V
Instantaneous Forward Voltage, Each MOSFET I _S = 5A ① (Intrinsic Diode)		1	-	1.0	2.1	-	1.0	2.2	V
		2	-	0.9	2.0	-	-	-	V
		3	-	1.1	2.2	-	-	-	V
Reverse Recovery Time (Intrinsic Diode) ①		-	-	-	240	-	-	240	nS
Leakage Current, Each MOSFET	V+ = 70V	1	-	1.0	25	-	1.0	30	uA
		2	-	2.0	250	-	-	-	uA
		3	-	0.5	25	-	-	-	uA
PWM Frequency	V _{CC} = 12V	4	40	45	50	40	45	50	KHz
V_{CC} SUPPLY CHARACTERISTICS									
Quiescent Bias Current	V _{CC} = 12V @ 50% Duty Cycle Output	1	-	15	20	-	15	20	mA
		2	-	15	20	-	-	-	mA
		3	-	15	20	-	-	-	mA
INPUT SIGNALS CHARACTERISTICS									
Analog Input Voltage	V _{CC} = 12V, Motor A,B = 50% Duty Cycle	-	-	6	-	-	6	-	V
Analog Input Voltage	V _{CC} = 12V, Motor A = 100% Duty Cycle High	-	-	8	-	-	8	-	V
Analog Input Voltage	V _{CC} = 12V, Motor B = 100% Duty Cycle High	-	-	4	-	-	4	-	V
SWITCHING CHARACTERISTICS ① V+ = 28V, V_{CC} = 12V, I_C = 2A									
Rise-Time		-	-	36	54	-	36	-	nS
Fall-Time		-	-	170	255	-	170	-	nS
Dead-Time		-	-	100	-	-	100	-	nS

NOTES:

- ① Guaranteed by design but not tested. Typical parameters are representative of actual device performance but are for reference only.
- ② Industrial grade and "E" suffix devices shall be tested to subgroups 1 and 4 unless otherwise specified.
- ③ Military grade devices ("B" suffix) shall be 100% tested to subgroups 1,2,3 and 4.
- ④ Subgroups 5 and 6 testing available upon request.
- ⑤ Subgroup 1,4 T_A = T_C = +25°C
2 T_A = T_C = +125°C
3 T_A = T_C = -55°C

APPLICATION NOTES

MSK 4200 PIN DESCRIPTION

VCC - Is the low voltage supply for powering internal logic and drivers for the lowside and highside MOSFETS. The supplies for the highside drivers are derived from this voltage.

V+ - Is the higher voltage H-bridge supply. The MOSFETS obtain the drive current from this supply pin. The voltage on this pin is limited by the drive IC. The MOSFETS are rated at 100 volts. Proper bypassing to **GND** with sufficient capacitance to suppress any voltage transients, and to ensure removing any drooping during switching, should be done as close to the pins on the hybrid as possible.

MOTOR A - Is the output pin for one half of the bridge. Increasing the input voltage causes increased duty cycles at this output.

MOTOR B - Is the output pin for the other half of the bridge. Decreasing the input voltage causes increased duty cycles at this output.

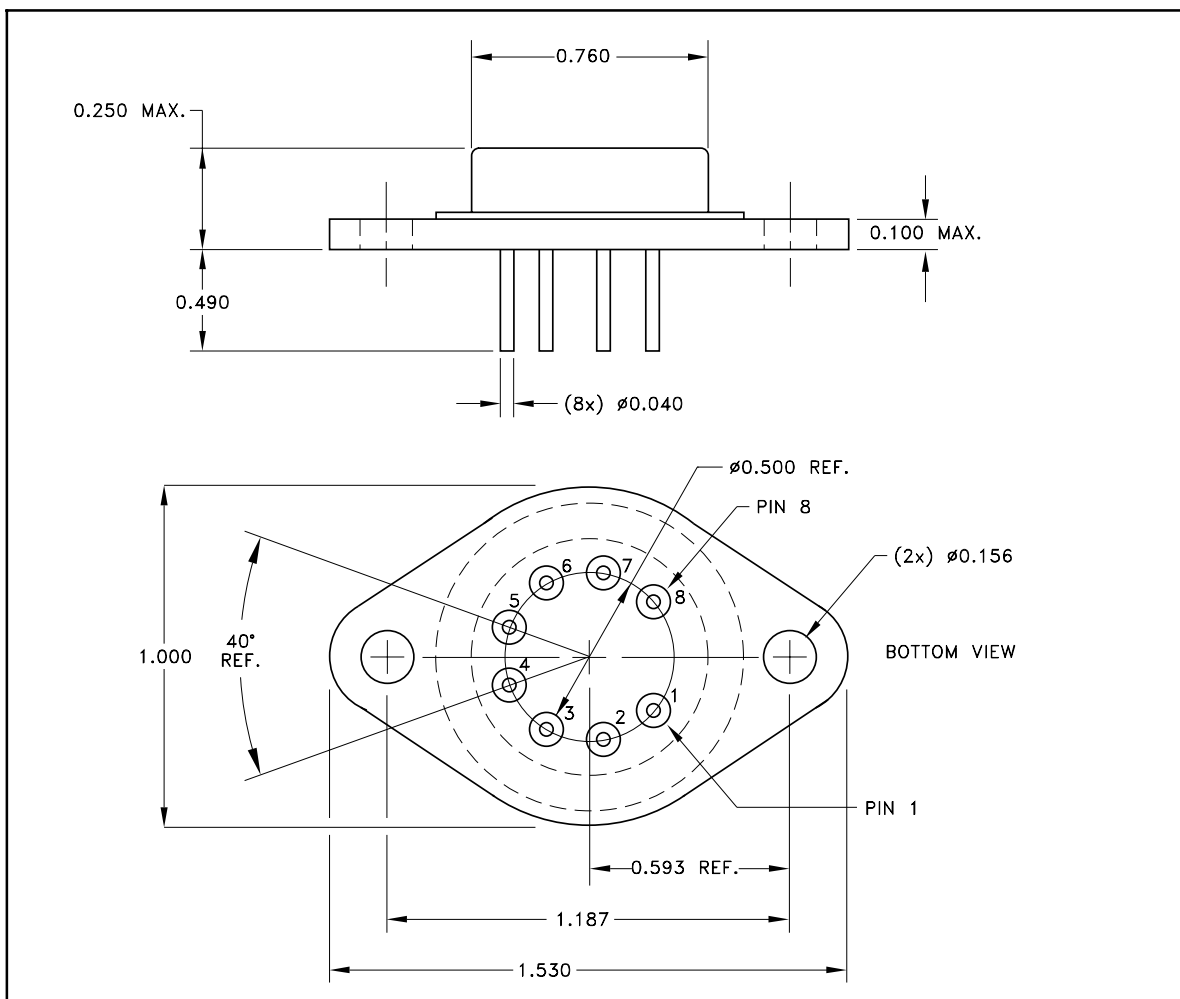
RSENSE A - This is the connection for the bottom of the A half bridge. This can have a sense resistor connected to the V+ return ground for current limit sensing, or can be connected directly to ground. The maximum voltage on this pin is ± 2 volts with respect to GND.

GND - Is the return connection for the input logic and Vcc.

RSENSE B - This is the connection for the bottom of the B half bridge. This can have a sense resistor connected to the V+ return ground for current limit sensing, or can be connected directly to ground. The maximum voltage on this pin is ± 2 volts with respect to GND.

INPUT - Is an analog input for controlling the PWM pulse width of the bridge. A voltage higher than $V_{cc}/2$ will produce greater than 50% duty cycle pulses out of MOTOR A. A voltage lower than $V_{cc}/2$ will produce greater than 50% duty cycle pulses out of MOTOR B.

MECHANICAL SPECIFICATIONS



ALL DIMENSIONS ARE ± 0.01 INCHES UNLESS OTHERWISE LABELED

ORDERING INFORMATION

Part Number	Screening Level
MSK4200	Industrial
MSK4200E	Extended Reliability
MSK4200B	Mil-PRF-38534 Class H

M.S. Kennedy Corp.
 4707 Dey Road, Liverpool, New York 13088
 Phone (315) 701-6751
 FAX (315) 701-6752
www.mskennedy.com

The information contained herein is believed to be accurate at the time of printing. MSK reserves the right to make changes to its products or specifications without notice, however, and assumes no liability for the use of its products. Please visit our website for the most recent revision of this datasheet.