

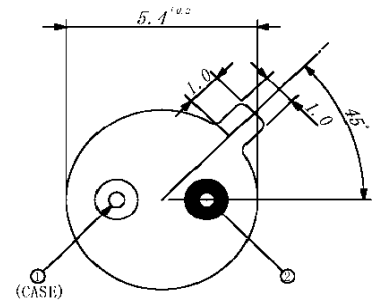
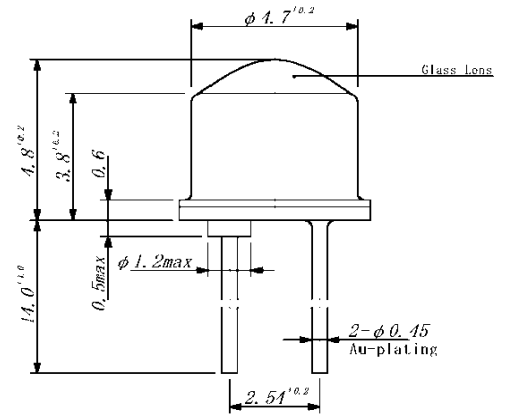
MT108J-UR

Features

High Power Output
High Reliability in Demanding Environments
Parallel Rays

Applications

Linear and Rotary Encoder
Optical Switches



① Cathode ② Anode

Maximum Ratings (Ta=25°C)

Characteristic	Symbol	Max.	Test Condition	Unit
Forward Current	I _F	50	–	mA
Pulsed Forward Current	I _{FP}	.30	tw=10μ S, T=10mS	A
Reverse Voltage	V _R	5.00	–	V
Power Dissipation	P _D	140.00	–	mW
Operating Temperature	T _{opr}	-20 ~+100	–	°C
Storage Temperature	T _{stg}	-30 ~+100	–	°C
Junction Temperature	T _j	100	–	°C
Soldering Temperature	T _{sol}	260	for 5 sec. max	°C

Opto-Electrical Characteristics (Ta=25°C)

Characteristic	Symbol	Test Condition	Min	Typ	Max	Unit
Forward Voltage	V _F	I _F =50mA	–	1.80	2.20	V
Reverse Current	I _R	V _R =5V	–	–	100	μA
Power Output	PO	I _F =50mA	–	3.00	–	mW
Half Intensity Beam Angle	θ	–	–	± 4°	–	deg.
Peak Wavelength	λ _p	I _F =20mA	–	660	–	nm
Dominant Wavelength	λ _d	I _F =20mA	–	643	–	nm
Spectral Line Half Width	Δλ	I _F =20mA	–	25	–	nm
Temp Coefficient of PO	P/T	10mA	–	–.50	–	%/°C
Temp Coefficient of VF	V/T	10mA	–	–1.50	–	mV/°C
Junction Capacitance	C _j	1 MHz, V=0V	–	20	–	pF

MT108J-UR Graphs

