

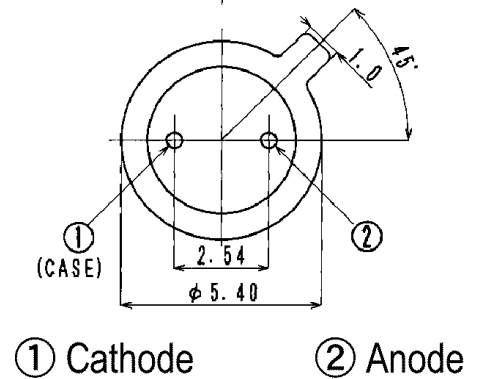
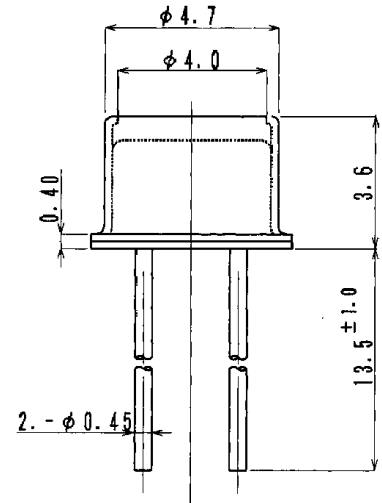
## MT5260W-UG

### Features

High Output Power  
High Reliability

### Applications

Color Sensor  
Paper Sensor  
Bar Code Reader  
Fiber Optics



### Maximum Ratings (Ta=25°C)

Characteristic	Symbol	Max.	Test Condition	Unit
Forward Current	I <sub>F</sub>	30	–	mA
Pulsed Forward Current	I <sub>FP</sub>	.30	tw=10μ S, T=10mS	A
Reverse Voltage	V <sub>R</sub>	5	–	V
Power Dissipation	P <sub>D</sub>	120.00	–	mW
Operating Temperature	T <sub>opr</sub>	–20~+85	–	°C
Storage Temperature	T <sub>stg</sub>	–30 ~+100	–	°C
Junction Temperature	T <sub>j</sub>	100	–	°C
Soldering Temperature	T <sub>sol</sub>	260	20mA	°C

### Opto-Electrical Characteristics (Ta=25°C)

Characteristic	Symbol	Test Condition	Min	Typ	Max	Unit
Forward Voltage	V <sub>F</sub>	I <sub>F</sub> =20mA	–	3.50	4.00	V
Reverse Current	I <sub>R</sub>	V <sub>R</sub> =5V	–	–	100	μA
Power Output	PO	I <sub>F</sub> =20mA	–	2.50	–	mW
Half Intensity Beam Angle	θ	–	–	± 30°	–	deg.
Peak Wavelength	λ <sub>p</sub>	I <sub>F</sub> =20mA	–	520	–	nm
Dominant Wavelength	λ <sub>d</sub>	I <sub>F</sub> =20mA	–	525	–	nm
Spectral Line Half Width	Δλ	I <sub>F</sub> =20mA	–	38	–	nm

### Company Headquarters

3 Northway Lane North  
Latham, New York 12110  
Toll Free: 800.984.5337  
Fax: 518.785.4725

### West Coast Sales Office

950 South Coast Drive, Suite 265  
Costa Mesa, California 92626  
Toll Free: 800.984.5337  
Fax: 714.850.9314

## MT5260W-UG Graphs

