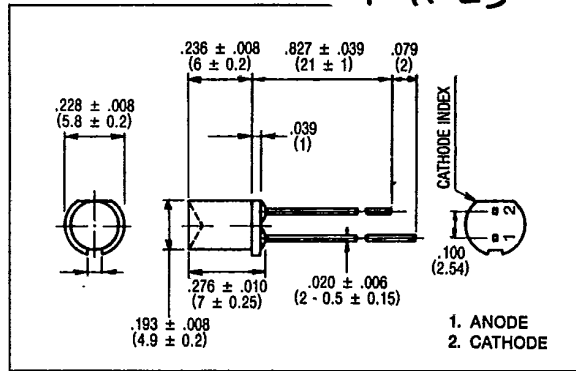


CONCAVE LED LAMPS

FEATURES

- All plastic mold type, transparent lens.
- Wide radiation pattern-suitable for backlighting.
- Half Angle = ± 75 deg. (Typ.) (limits for 50% of I_v).
- Recommended forward current: $I_F = 15 \sim 20$ mA (DC)
- Fast response time, capable of pulse operation.



MAXIMUM RATINGS ($T_a = 25^\circ\text{C}$)

| PART NO. | FORWARD CURRENT (I_F) (mA) | REVERSE VOLTAGE (V_R) (V) | POWER DISSIPATION (P_D) (mW) | OPERATING TEMPERATURE (T_{opr}) ($^\circ\text{C}$) | STORAGE TEMPERATURE (T_{stg}) ($^\circ\text{C}$) |
|----------|--------------------------------|-------------------------------|----------------------------------|--|--|
| MT610-HR | 25 | 4 | 70 | -20 ~ 75 | -30 ~ 100 |
| MT610-R | 20 | 4 | 56 | -20 ~ 75 | -30 ~ 100 |
| MT610-O | 25 | 4 | 70 | -20 ~ 75 | -30 ~ 100 |
| MT610-G | 25 | 4 | 70 | -20 ~ 75 | -30 ~ 100 |
| MT610-Y | 25 | 4 | 70 | -20 ~ 75 | -30 ~ 100 |

OPTO-ELECTRICAL CHARACTERISTICS ($T_a = 25^\circ\text{C}$)

| PART NO. | MATERIAL | LENS COLOR | VIEWING ANGLE | LUMINOUS INTENSITY (mcd) | | | FORWARD VOLTAGE (v) | | | REVERSE CURRENT | | PEAK WAVELENGTH (nm) | SPEC. LINE HALF WIDTH (nm) |
|----------|-----------|--------------|---------------|--------------------------|------|----------|---------------------|-----------|---------------|-----------------|---|----------------------|----------------------------|
| | | | | typ. | min. | typ. @mA | typ. | max. @ mA | μA | V_r | | | |
| MT610-HR | GaAsP/GaP | Red/Clear | 150° | 1.0 | 3.5 | 15 | 2.1 | 2.8 | 20 | 100 | 4 | 635 | 40 |
| MT610-R | GaP/GaP | Red/Clear | 150° | .5 | 1.3 | 15 | 2.1 | 2.8 | 20 | 100 | 4 | 700 | 100 |
| MT610-O | GaAsP/GaP | Orange/Clear | 150° | .8 | 3.0 | 15 | 2.1 | 2.8 | 20 | 100 | 4 | 610 | 35 |
| MT610-G | GaP/GaP | Green/Clear | 150° | 1.4 | 5.5 | 15 | 2.1 | 2.8 | 20 | 100 | 4 | 565 | 25 |
| MT610-Y | GaAsP/GaP | Yellow/Clear | 150° | .8 | 3.5 | 15 | 2.1 | 2.8 | 20 | 100 | 4 | 585 | 32 |