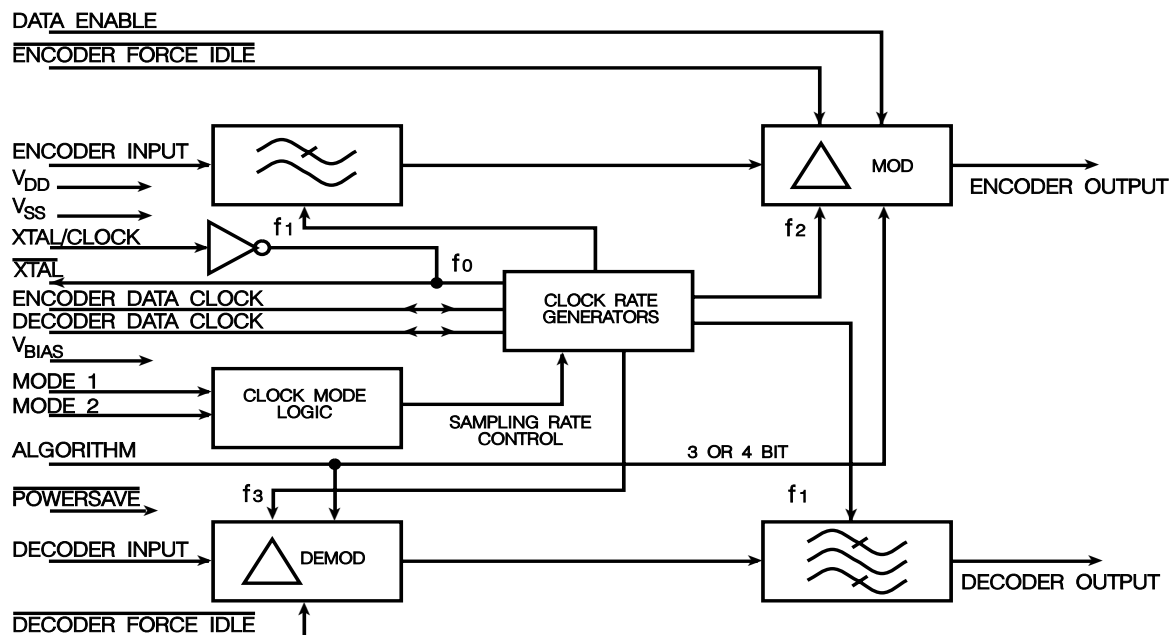


### Features

- Meets EUROCOM D1-IA8
- Single Chip Full Duplex CVSD CODEC
- On-chip Input and Output Filters
- Programmable Sampling Clocks
- 3- or 4-bit Companding Algorithm
- Powersave Capabilities
- Low Power, 5.0V Operation

### Applications

- Military Communications
- Multiplexers, Switches, & Phones



The MX619 is a Continuously Variable Slope Delta Modulation (CVSD) Codec designed for use in military communications systems. This device is suitable for applications in military delta multiplexers, switches, and phones. The MX619 is designed to meet EUROCOM D1-IA8 specifications.

Encoder input and decoder output filters are incorporated on-chip. Sampling clock rates can be programmed to 16, 32, or 64kbps from an internal clock generator or externally injected in the 8 to 64kbps range. The sampling clock frequency is output for the synchronization of external circuits.

The encoder has an enable function for use in multiplexer applications. Encoder and Decoder forced idle capabilities are provided forcing 10101010... pattern in encode and a  $V_{DD}/2$  bias in decode. The companding circuit may be operated with an externally selectable 3- or 4-bit algorithm. The device may be placed in standby mode by selecting Powersave. A reference 1.024MHz oscillator uses an external clock or crystal.

The MX619 operates with a supply voltage of 5.0V and is available in the following packages: 24-pin PLCC (MX619LH), 22-pin CERDIP (MX619J), and 22-pin PDIP (MX619P).

# CONTENTS

<b>Section</b>	<b>Page</b>
<b>1 Block Diagram.....</b>	<b>3</b>
<b>2 Signal List.....</b>	<b>4</b>
<b>3 External Components.....</b>	<b>6</b>
<b>4 General Description.....</b>	<b>6</b>
<b>5 Application .....</b>	<b>7</b>
5.1 CODEC Integration.....	7
5.2 Digital to Analog Performance .....	7
<b>6 Performance Specification.....</b>	<b>11</b>
6.1 Electrical Performance .....	11
6.1.1 Absolute Maximum Ratings.....	11
6.1.2 Operating Limits .....	11
6.1.3 Operating Characteristics.....	12
6.1.4 TIMING.....	13
6.2 Packaging.....	14

MX-COM, Inc. reserves the right to change specifications at any time and without notice.

# 1 Block Diagram

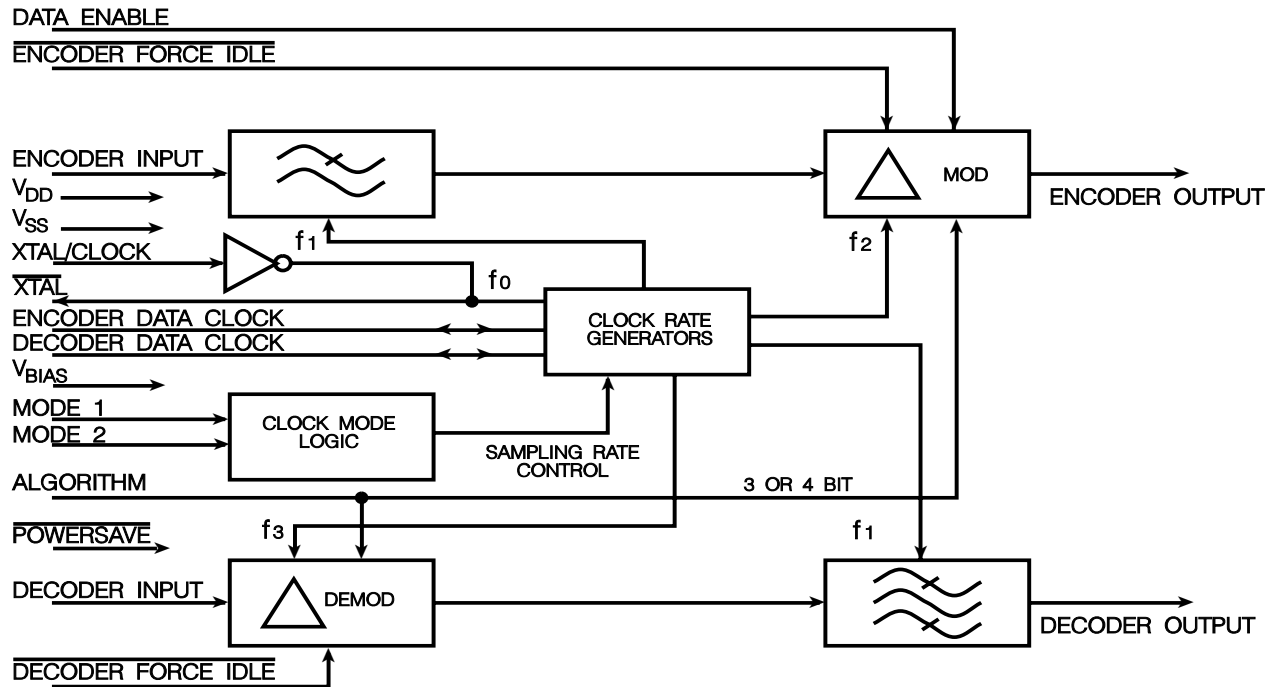


Figure 1: Block Diagram

## 2 Signal List

J/P	LH	Name	Signal	Description
1	1	Xtal/Clock	input	Input to the clock oscillator inverter. A 1.024MHz Xtal input or externally derived clock is injected here. See Clock Mode pins and Figure 2.
	2	N/C		No Connection
2	3	$\overline{\text{Xtal}}$	output	The 1.024 MHz output of the clock oscillator inverter.
3	4	N/C		No Connection
4	5	Encoder Data Clock	input/output	A logic I/O port. External encode clock input or internal data clock output. Clock frequency is dependent upon Clock Mode 1, 2 inputs and Xtal frequency (see Clock Mode pins).
5	6	Encoder Output	output	The encoder digital output. This is a three-state output whose condition is set by the Data Enable and Powersave inputs. See Table 2.
6	7	$\overline{\text{Encoder Force Idle}}$		When this pin is at a logical "0" the encoder is forced to an idle state and the encoder digital output is 0101, a perfect idle pattern. When this pin is a logical "1" the encoder encodes as normal. Internal 1M $\Omega$ pullup.
7	8	Data Enable	input	Data is made available at the encoder output pin by control of this input. See Encoder Output pin. Internal 1 M $\Omega$ pullup.
8	9	N/C		No Connection
9	10	V <sub>BIAS</sub>		Normally at V <sub>DD</sub> /2 bias, this pin should be externally decoupled by capacitor C4. Internally pulled to V <sub>SS</sub> when "Powersave" is a logical "0".
10	11	Encoder Input	input	The analog signal input. Internally biased at V <sub>DD</sub> /2, this input requires an external coupling capacitor. The source impedance should be less than 100 $\Omega$ . Output channel noise levels will improve with an even lower source impedance. See Figure 2.
11	12	V <sub>SS</sub>	power	Negative Supply
12	13	N/C		No Connection
13	14	Decoder Output	output	The recovered analog signal is output at this pin. It is the buffered output of a lowpass filter and requires external components. During "Powersave" this output is open circuit.
14	15	N/C		No Connection
15	16	$\overline{\text{Powersave}}$		A logic "0" at this pin puts most parts of the codec into a quiescent non-operational state. When at a logical "1", the codec operates normally. Internal 1 M $\Omega$ pullup.
	17	N/C		No Connection
16	18	$\overline{\text{Decoder Force Idle}}$		A logic "0" at this pin gates a 0101... pattern internally to the decoder so that the Decoder Output goes to V <sub>DD</sub> /2. When this pin is a logical "1" the decoder operates as normal. Internal 1M $\Omega$ pullup.
17	19	Decoder Input		The received digital signal input. Internal 1 M $\Omega$ pullup.
18	20	Decoder Data Clock	input/output	A logic I/O port. External decode clock input or internal data clock output, dependent upon clock mode 1,2 inputs. See Clock Mode pins.
19	21	Algorithm		A logic "1" at this pin sets this device for a 3-bit companding algorithm. A logical "0" sets a 4-bit companding algorithm. Internal 1 M $\Omega$ pullup.

J/P	LH	Name	Signal	Description
20	22	Clock Mode 2		Clock rates refer to $f = 1024\text{MHz}$ Xtal/Clock input. During internal operation the data clock frequencies are available at the ports for external circuit synchronization. Independent or common data rate inputs to Encode and Decode data clock ports may be employed in the External Clocks mode. Internal $1\text{M}\Omega$ pullups. See Table 3.
21	23	Clock Mode 1		
22	24	$V_{DD}$	power	Positive Supply. A single 5.0V supply is required.

Table 1: Signal List

Data Enable	Powersave	Encoder Output
1	1	Enable
0	1	High Z (open circuit)
1	0	$V_{SS}$

Table 2: Encoder Output

Clock Mode 1	Clock Mode 2	Facility
0	0	External Clocks
0	1	Internal, $64\text{kbps} = f/16$
1	0	Internal, $32\text{kbps} = f/32$
1	1	Internal, $16\text{kbps} = f/64$

Table 3: Clock Mode

### 3 External Components

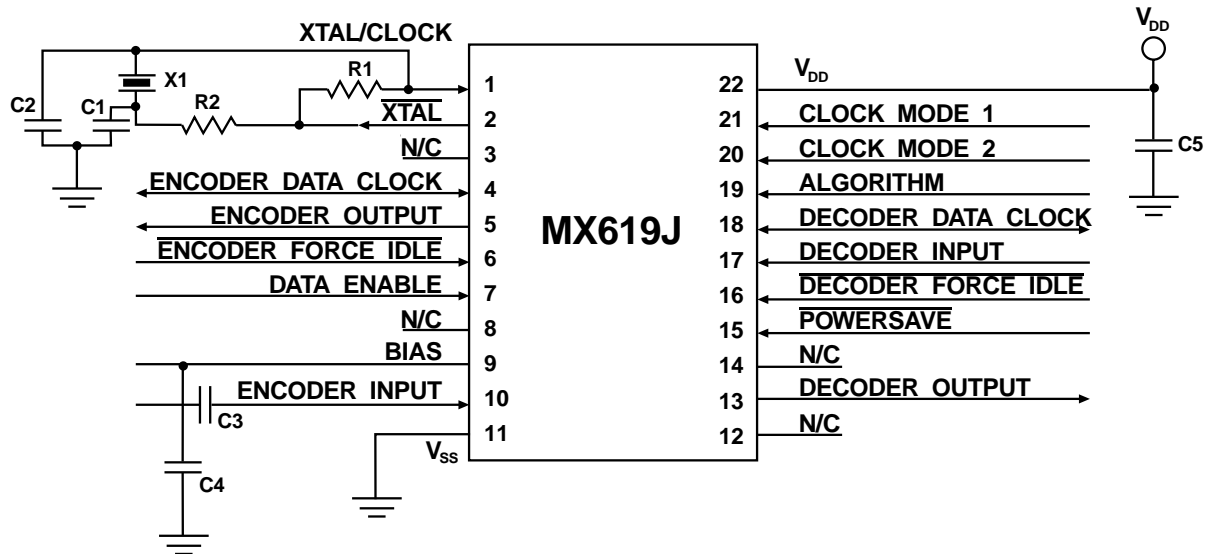


Figure 2: Recommended External Components for Typical Application

R1	Note 1	1M $\Omega$	$\pm 10\%$	C3	Note 4	1.0 $\mu$ F	$\pm 20\%$
R2	Note 2	Selectable		C4	Note 5	1.0 $\mu$ F	$\pm 20\%$
C1	Note 3	33pF	$\pm 20\%$	C5	Note 6	1.0 $\mu$ F	$\pm 20\%$
C2	Note 3	68pF	$\pm 20\%$	X1	Note 7, 8	1.024MHz	

Table 4: Recommended External Components for Typical Application

#### Notes:

- Oscillator inverter bias resistor.
- Xtal Drive limiting resistor.
- Xtal circuit load capacitor.
- Encoder input coupling capacitor. The drive source impedance to this input should be less than 100 $\Omega$ . Output idle channel noise levels will improve with even lower source impedance.
- Bias decoupling capacitor
- $V_{DD}$  decoupling capacitor
- A 1.024MHz Xtal/Clock input will yield exactly 16/32/64kbps data clock rates. Xtal circuitry shown is in accordance with MX-COM's Xtal Oscillator Application Note.
- For best results, a crystal oscillator design should drive the clock inverter input with signal levels of at least 40% of  $V_{DD}$ , peak to peak. Tuning fork crystals generally cannot meet this requirement. To obtain crystal oscillator design assistance, please consult you crystal manufacturer.

### 4 General Description

The MX619 is a Continuously Variable Slope Delta Modulation (CVSD) Codec designed for use in military communications systems. This device is suitable for applications in military delta multiplexers, switches and phones. The MX619 is designed to meet EUROCOM D1-IA8 specifications.

Encoder input and decoder output filters are incorporated on-chip. Sampling clock rates can be programmed to 16, 32, or 64kbps from an internal clock generator or externally injected in the 8 to 64kbps range. The sampling clock frequency is output for the synchronization of external circuits.

The encoder has an enable function for use in multiplexer applications. Encoder and Decoder forced idle capabilities are provided forcing 10101010... pattern in encode and a  $V_{DD}/2$  bias in decode. The companding circuit may be operated with an externally selectable 3- or 4-bit algorithm. The device may be placed in standby mode by selecting Powersave. A reference 1.024MHz oscillator uses an external clock or crystal.

## 5 Application

Due to the very low levels of a signal idle channel noise specified for military applications, a noisy or badly regulated power supply could cause instability, putting the overall system performance out of specification. Adherence to the points listed below will assist in minimizing this problem.

1. Care should be taken in the design and layout of the printed circuit board.
2. All external components (as recommended in Figure 2) should be kept close to the package.
3. Tracks should be kept short, particularly the Encoder Input capacitor and the  $V_{BIAS}$  capacitor.
4. Xtal/Clock tracks should be kept well away from analog inputs and outputs.
5. Inputs and outputs should be screened whenever possible.
6. A 'ground plane' connected to  $V_{SS}$  will assist in eliminating external pick-up on the input and output pins.
7. It is recommended that the power supply rails have less than  $1mV_{RMS}$  of noise allowed.
8. The source impedance to the Encoder Input pin must be less than  $100\Omega$ ; output idle channel, noise levels will improve with even power source impedances.

### 5.1 CODEC Integration

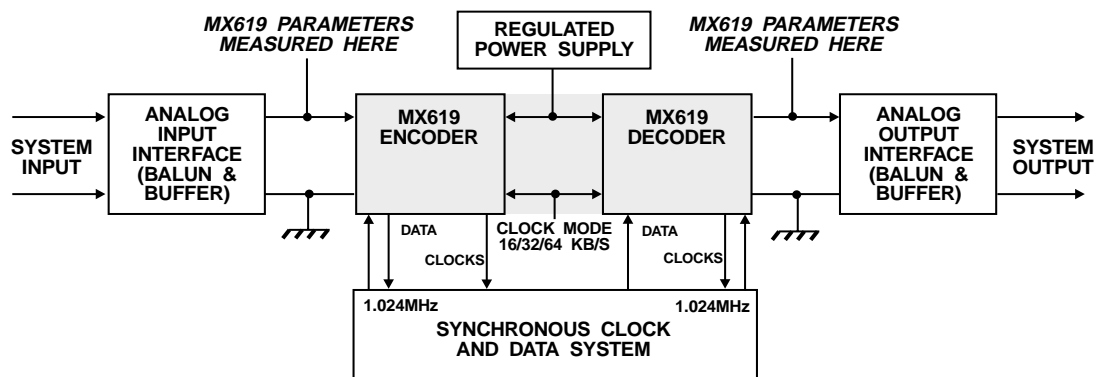


Figure 3: System Configuration using the MX619

### 5.2 Digital to Analog Performance

Test	Sample Rate	Bit Sequence at Decoder Input	MLA Duty Cycle	Typical Output Level
a	16kbps	10110100100100101101	0	-41.5dBmO
	32kbps	101101101010100100100100101010101101101	0	-42.5dBmO
b	16kbps	11011001001001001101	0.05	-25.0dBmO
	32kbps	1011011010101001001000100100101011011011	0.05	-25.0dBmO
c	16kbps	10110101000100101011	0.1	-19.0dBmO
	32kbps	1101101101010010001000100100101011011101	0.1	-18.5dBmO
d	16kbps	11011001000010011011	0.2	-11.0dBmO
	32kbps	1101110110010100010000100010011010111011	0.2	-11.5dBmO
e	16kbps	11011010000010010111	0.3	-6.5dBmO
	32kbps	111011101100100010000001001001101110111	0.3	-6.5dBmO
f	16kbps	11011010000001001111	0.4	-3.0dBmO
	32kbps	1111011101010001000000001000101011101111	0.4	-3.0dBmO
g	16kbps	111010100000001011	0.5	0dBmO
	32kbps	11111011101000100000000000100010111011111	0.5	0dBmO

Table 5: Bit Sequence Test

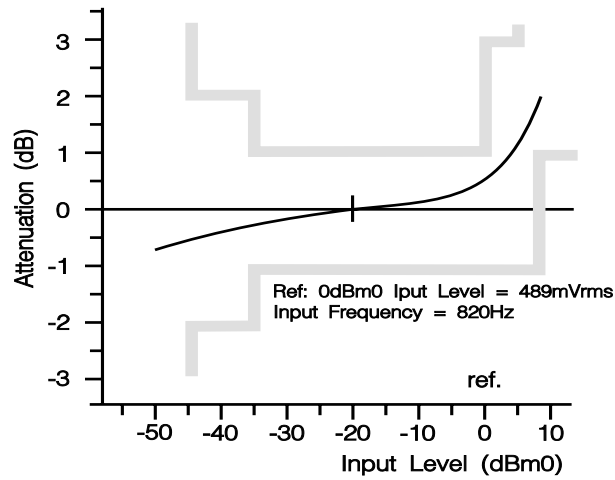


Figure 4: Gain vs. Input Level (16kbps)

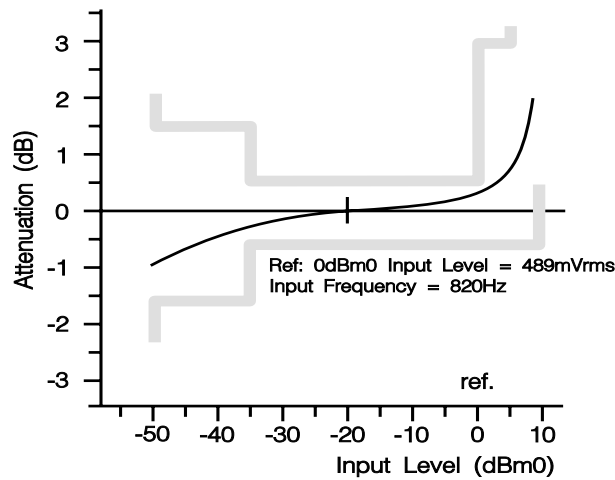


Figure 5: Gain vs. Input Level (32kbps)

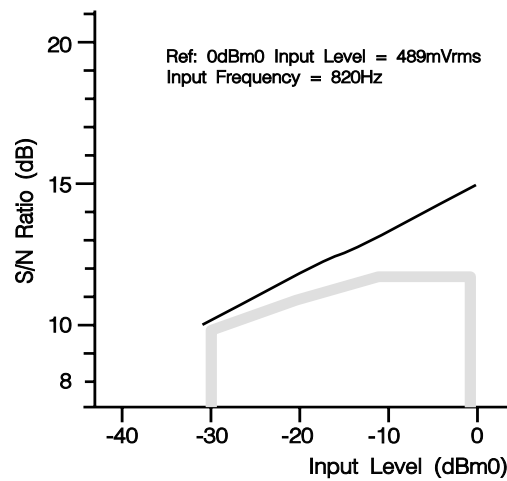


Figure 6: S/N vs. Input Level (16kbps)



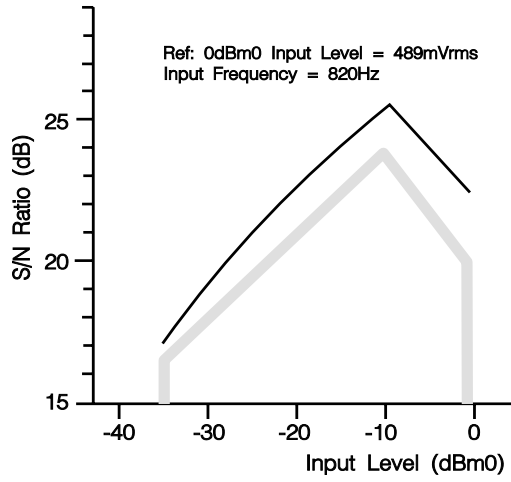


Figure 7: S/N vs. Input Level (32kbps)

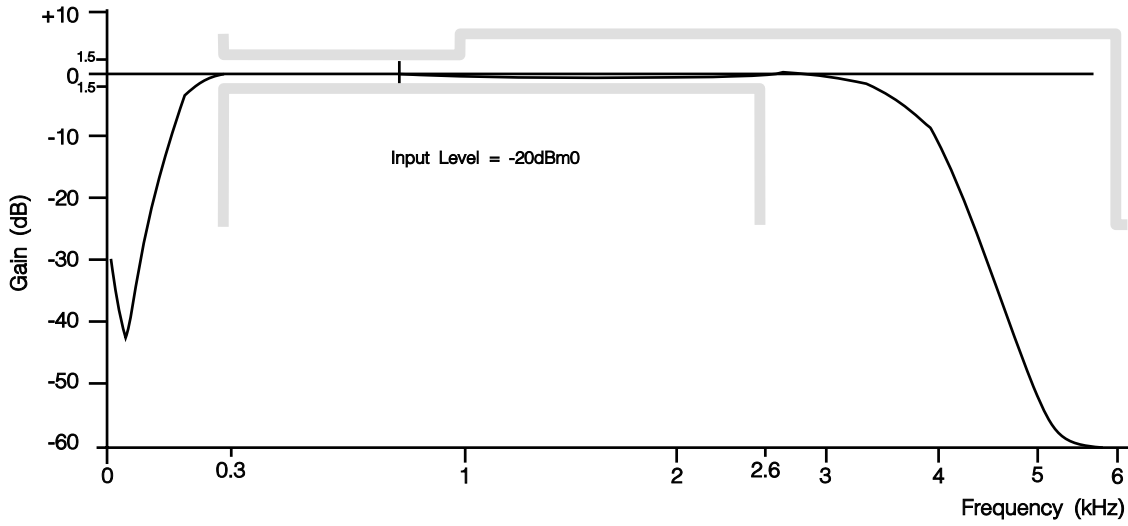


Figure 8: Attenuation distrotion vs. Frequency (16kbps)

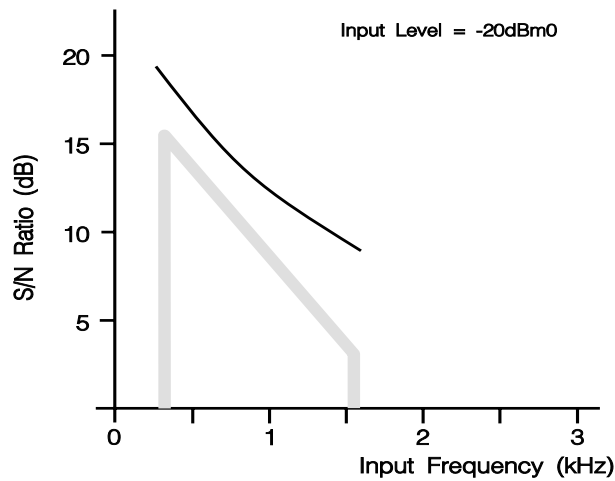


Figure 9: S/N vs. Input Frequency (16kbps)

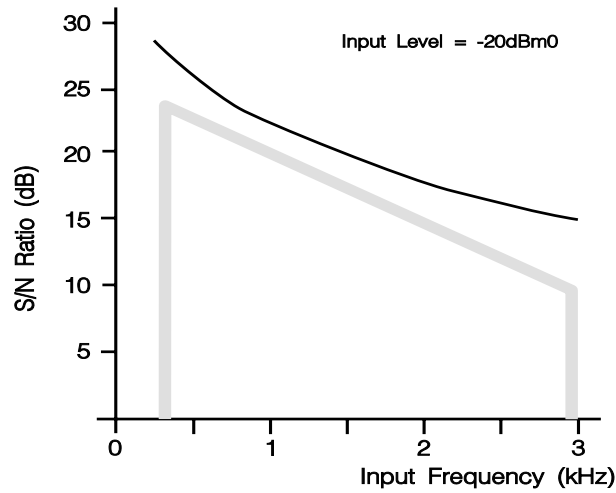


Figure 10: S/N vs. Input Frequency (32kbps)

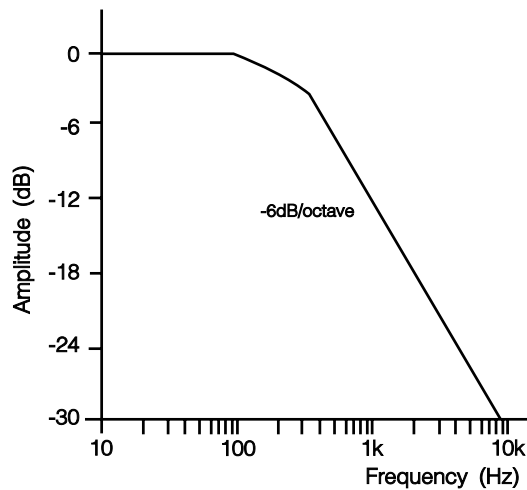


Figure 11: Principal Integrator Response

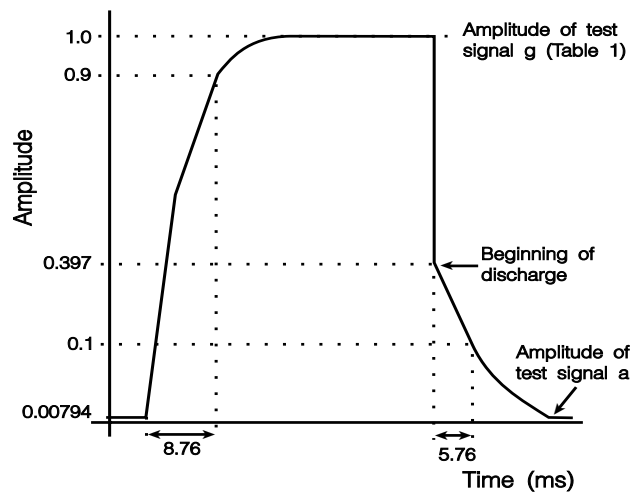


Figure 12: Compand Envelope

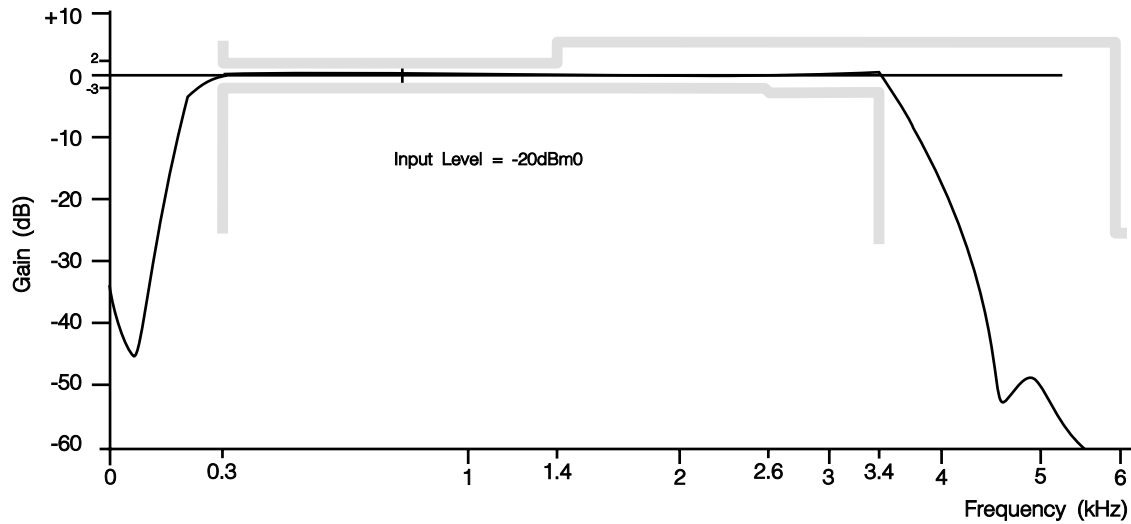


Figure 13: Attenuation Distortion vs. Frequency (32kbps)

## 6 Performance Specification

### 6.1 Electrical Performance

#### 6.1.1 Absolute Maximum Ratings

Exceeding these maximum ratings can result in damage to the device.

	Min.	Max.	Units
Supply ( $V_{DD} - V_{SS}$ )	-0.3	7.0	V
Voltage on any pin to $V_{SS}$	-0.3	$V_{DD} + 0.3$	V
Current			
$V_{DD}$	-30	30	mA
$V_{SS}$	-30	30	mA
any other pin	-20	20	mA
J / P / LH Packages			
Total Allowable Power Dissipation at $T_{AMB} = 25^{\circ}\text{C}$	-	800	mW
Derating above $25^{\circ}\text{C}$	-	10	mW/ $^{\circ}\text{C}$ above $25^{\circ}\text{C}$
Storage Temperature	-55	125	$^{\circ}\text{C}$
Operating Temperature	-40	85	$^{\circ}\text{C}$

#### 6.1.2 Operating Limits

Correct operation of the device outside these limits is not implied.

	Min	Typ.	Max.	Units
Supply ( $V_{DD} - V_{SS}$ )	4.5	5.0	5.5	V
Operating Temperature	-40		85	$^{\circ}\text{C}$
Xtal Frequency	500	1.024	1500	MHz

### 6.1.3 Operating Characteristics

For the following conditions unless otherwise specified:

$V_{DD} = 5.0V$  at  $T_{AMB} = 25^{\circ}C$ , Audio Test Frequency = 820Hz Xtal/Clock  $f_0 = 1.024MHz$

3-bit Compand Algorithm, Sample Clock Rate = 32kbps, Audio level 0dB ref (0 dBm0) = 489mV<sub>RMS</sub>.

	Notes	Min.	Typ.	Max.	Units
<b>Static Values</b>					
Supply Voltage	1	4.5	5.0	5.5	V
Supply Current (Enabled)			5.5		mA
Supply Current (Powersave)			400		$\mu A$
Input logic '1'	8	3.5			V
Input Logic '0'	8			1.5	V
Output Logic '1'		4.0			V
Output Logic '0'				1.0	V
Digital Input Impedance					
Logic I/O pins		1.0	10		M $\Omega$
Logic Input pins, Pullup Resistor	2	300			k $\Omega$
Digital output impedance			4		k $\Omega$
Analog Input Impedance	4		1		k $\Omega$
Analog Output Impedance	7			800	$\Omega$
Three State Output Leakage		-4		4	$\mu A$
Insertion Loss	3	-2		2	dB
<b>Dynamic Values</b>					
Encoder					
Analog signal Input levels	5, 9	-35		6	dBm0
Principal Integrator Frequency			275		Hz
Encoder Passband			3400		Hz
Compand Time Constant			4.0		ms
Decoder					
Analog Signal Output Levels	5, 9	-35	-10	6	dBm0
Decoder Passband		300		3400	Hz
Encoder Decoder (Full Codec)					
Compression Ration (Cd = 0.5 to Cd = 0.0)		50			
Passband		300		3400	Hz
Stopband		6		10	KHz
Stopband Attenuation			60		dB
Passband Gain			0		dB
Passband Ripple		-3		3	dB
300Hz – 1400Hz		-1		1	dB
1400Hz – 2600Hz		-1		1	dB
2600Hz –3400Hz		-2		3	dB
Output Noise (Input Short Circuit)	9			-60	dBmOp
Perfect Idle Channel Noise					
(Encode Forced)	9		-63		dBmOp

	Notes	Min.	Typ.	Max.	Units
Group Delay Distortion	4				
(1000Hz-2600Hz)	6			450	$\mu$ s
(600Hz-2800Hz)	6			750	$\mu$ s
(500Hz-3000Hz)	6			1.5	ms
Xtal/clock Frequency			1024		kHz

**Notes:**

1. Dynamic characteristics are specified at 5.0V unless otherwise specified.
2. All logic inputs except Encoder and Decoder Data clocks
3. For an encoder/Decoder combination, Insertion loss contributed by a single component is half this figure.
4. Driven with a source impedance of  $<100\Omega$ .
5. Recommended values – See Figures 4, 5, 6, and 7.
6. Group Delay Distortion for the full codec is relative to the delay with an 820Hz, -20dB signal at the encoder input
7. An Emitter Follower output stage.
8.  $4V = 80\%V_{DD}$ ,  $3.5V = 70\%V_{DD}$ ,  $1.5V = 30\%V_{DD}$ ,  $1V = 20\%V_{DD}$
9. Analog Voltage Levels used:  $0dBmO = 489mV_{RMS} = -4dBm = 0dB$ .  $-15dBmO = 87mV_{RMS}$ .  $-20dBmO = 49mV_{RMS} = -24dBm$ .

**6.1.4 TIMING**

Serial Bus Timings (See Figure 14)		Min.	Typ.	Max.	Units
$t_{CH}$	Clock 1 pulse width	1.0			$\mu$ s
$t_{CL}$	Clock 0 pulse width	1.0			$\mu$ s
$t_{IR}$	Clock rise time	0	100		ns
$t_{IF}$	Clock fall time		100		ns
$t_{SU}$	Data set-up time			450	ns
$t_H$	Data hold time	600			ns
$t_{SU} + t_H$	Data true time		1.5		$\mu$ s
$t_{PCO}$	Clock to output delay time		750		ns
$t_{DR}$	Data rise time		100		ns
$t_{DF}$	Data fall time		100		ns
Xtal input frequency = 1.024MHz					

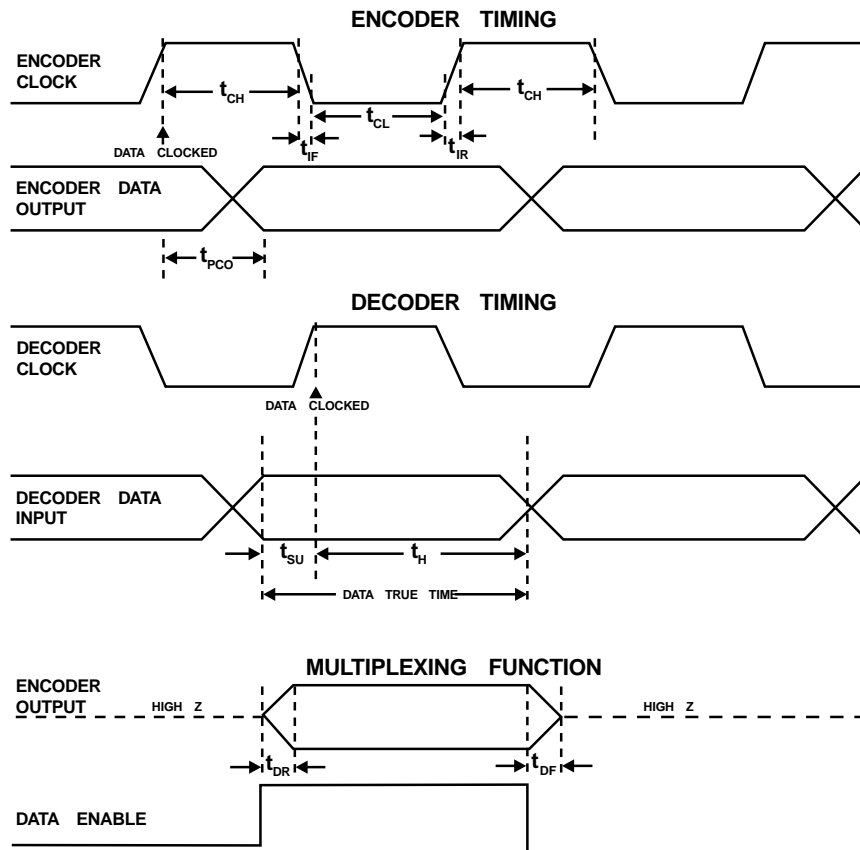


Figure 14: CODEC Timing

6.2 Packaging

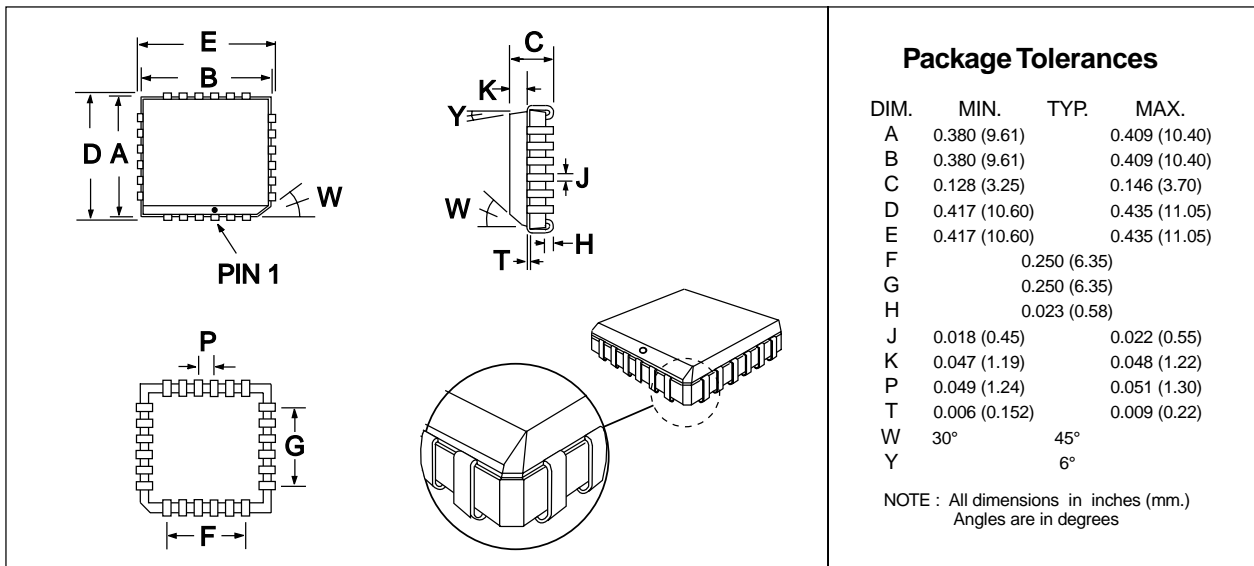


Figure 15: 24-pin PLCC (LH) Mechanical Outline: Order as part no. MX619LH

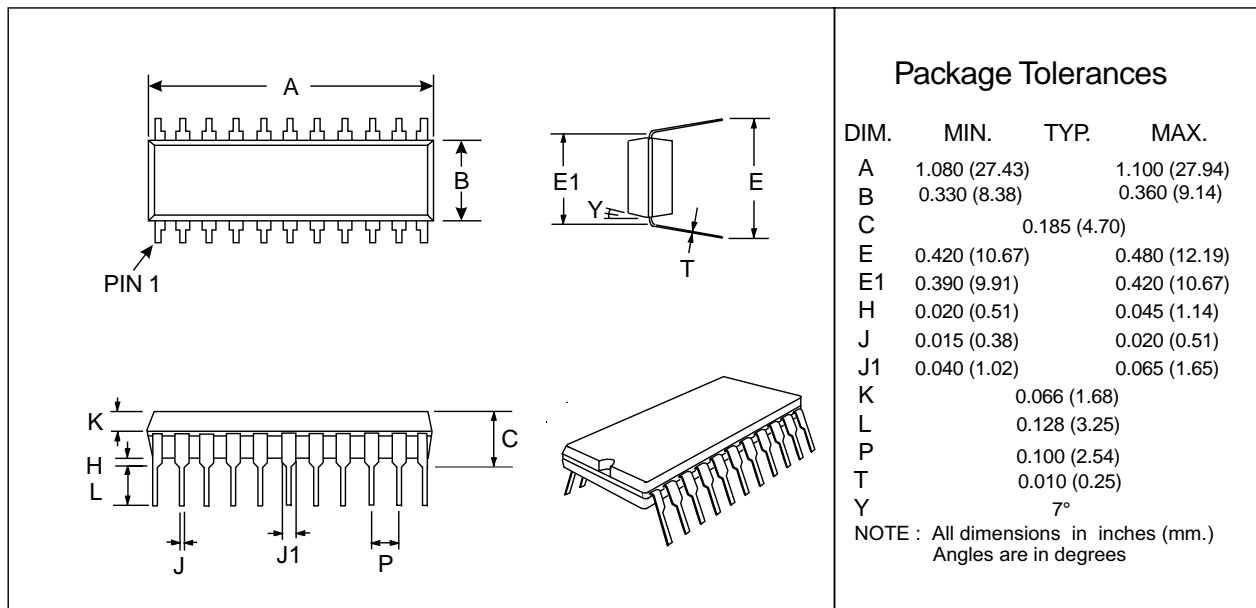


Figure 16: 22-pin PDIP (P) Mechanical Outline: Order as part no. MX619P

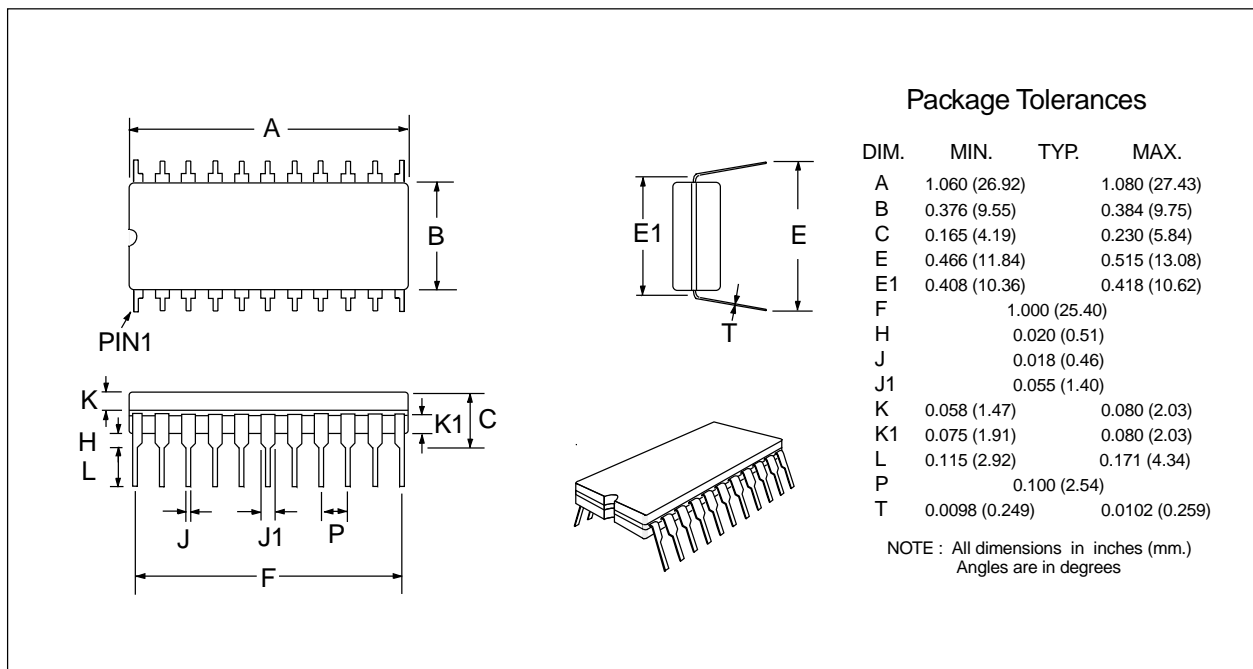


Figure 17: 22-pin Cerdip (J) Mechanical Outline: Order as part no. MX619J



**CML Microcircuits**

COMMUNICATION SEMICONDUCTORS

## CML Product Data

In the process of creating a more global image, the three standard product semiconductor companies of CML Microsystems Plc (*Consumer Microcircuits Limited (UK)*, *MX-COM, Inc (USA)* and *CML Microcircuits (Singapore) Pte Ltd*) have undergone name changes and, whilst maintaining their separate new names (*CML Microcircuits (UK) Ltd*, *CML Microcircuits (USA) Inc* and *CML Microcircuits (Singapore) Pte Ltd*), now operate under the single title **CML Microcircuits**.

These companies are all 100% owned operating companies of the CML Microsystems Plc Group and these changes are purely changes of name and do not change any underlying legal entities and hence will have no effect on any agreements or contacts currently in force.

### CML Microcircuits Product Prefix Codes

Until the latter part of 1996, the differentiator between products manufactured and sold from MXCOM, Inc. and Consumer Microcircuits Limited were denoted by the prefixes MX and FX respectively. These products use the same silicon etc. and today still carry the same prefixes. In the latter part of 1996, both companies adopted the common prefix: CMX.

This notification is relevant product information to which it is attached.

### CML Microcircuits (USA) [formerly MX-COM, Inc.] Product Textual Marking

On CML Microcircuits (USA) products, the '**MX-COM**' textual logo is being replaced by a '**CML**' textual logo.

Company contact information is as below:



**CML Microcircuits  
(UK) Ltd**

COMMUNICATION SEMICONDUCTORS

Oval Park, Langford, Maldon,  
Essex, CM9 6WG, England  
Tel: +44 (0)1621 875500  
Fax: +44 (0)1621 875600  
uk.sales@cmlmicro.com  
www.cmlmicro.com



**CML Microcircuits  
(USA) Inc.**

COMMUNICATION SEMICONDUCTORS

4800 Bethania Station Road,  
Winston-Salem, NC 27105, USA  
Tel: +1 336 744 5050,  
0800 638 5577  
Fax: +1 336 744 5054  
us.sales@cmlmicro.com  
www.cmlmicro.com



**CML Microcircuits  
(Singapore) Pte Ltd**

COMMUNICATION SEMICONDUCTORS

No 2 Kallang Pudding Road, 09-05/  
06 Mactech Industrial Building,  
Singapore 349307  
Tel: +65 7450426  
Fax: +65 7452917  
sg.sales@cmlmicro.com  
www.cmlmicro.com