

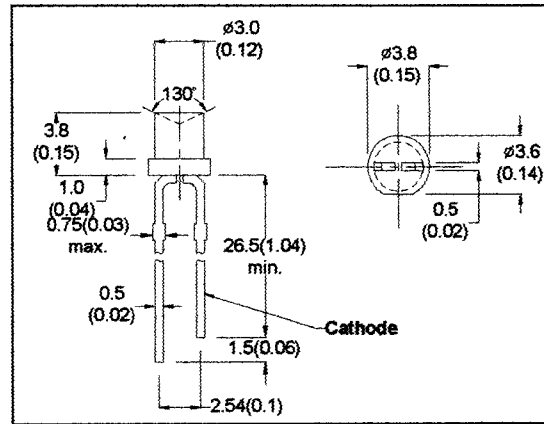
# MICRO ELECTRONICS

**MOB34D**  
**MSB34D**  
**MYB34D**  
**3mm CYLINDRIC**  
**LED LAMPS**

## DESCRIPTION

This series of solid state indicators are 3mm diameter cylindric lamps

MGB34D is green LED with a green diffused lens.  
 MOB34D is orange LED with an orange diffused lens.  
 MOB34DR is orange LED with a red diffused lens.  
 MSB34D is red LED with a red diffused lens.  
 MYB34D is yellow LED with a yellow diffused lens.



- All Dimension in mm (inch)
- No Scale
- Tol: +/- 0.3mm

## ABSOLUTE MAXIMUM RATINGS

Power Dissipation @  $T_a=25^\circ\text{C}$   
 Forward Current, DC (IF)  
 Reverse Voltage  
 Operating & Storage Temperature Range  
 Lead Soldering Temperature (1/16" from body)

	<u>MSB34D</u>	<u>MYB34D</u>	<u>MGB34D</u> <u>MOB34D</u> <u>MOB34DR</u>
Power Dissipation @ $T_a=25^\circ\text{C}$	45mW	60mW	90mW
Forward Current, DC (IF)	15mA	20mA	30mA
Reverse Voltage	5V	5V	5V
Operating & Storage Temperature Range	-50 to +100°C		
Lead Soldering Temperature (1/16" from body)	260°C for 5 sec.		

## ELECTRO-OPTICAL CHARACTERISTICS ( $T_a=25^\circ\text{C}$ )

PARAMETER	SYMBOL	MGB34D	MOB34D	MOB34DR	MSB34D	MYB34D	UNIT	CONDITIONS
Forward Voltage	MAX VF	3.0	3.0	3.0	3.0	3.0	V	IF=20mA
Reverse Breakdown Voltage	MIN BVR	5	5	5	5	5	V	IR=100 $\mu\text{A}$
Luminous Intensity	MIN IV	6	4	4	0.4 *	3	mcd	IF=20mA
	TYP	10	6	6	0.5 *	5	mcd	
Peak Wavelength	TYP $\lambda_p$	570	630	640	700	585	nm	IF=20mA
Spectral Line Half Width	TYP $\Delta\lambda$	30	40	40	100	35	nm	IF=20mA
Viewing Angle	TYP $2\theta$ 1/2	140	140	140	140	140	degree	IF=20mA

\*IF=10mA

MICRO ELECTRONICS LTD.

38, Hung To Road, Microtron Building, Kwun Tong, Kowloon, Hong Kong.  
 Kwun Tong P.O. Box 69477 Hong Kong. Fax No. 2341 0321 Telex:43510 Micro Hx. Tel: 2343 0181-5

Feb-96