



NJU6580

PRELIMINARY

BIT MAP LCD DRIVER

■ GENERAL DESCRIPTION

The NJU6580 is a bit map LCD driver to display graphics or characters.

It contains 1,904 bits display data RAM, microprocessor interface circuits, instruction decoder, 96-segment and 17-common(1 out of 17-driver is prepared for Icon display)drivers.

The bit image display data is transferred to the display data RAM by serial or 8-bit parallel mode.

The NJU6580 automatically performs 7 or 15 dots horizontal smooth scroll, therefore the horizontal character scroll is easily controlled by the MPU.

17 x 96 dot graphics or 6-character 1-line by 16 x 16 dot character with icon are displayed by NJU6580 itself.

The wide operating voltage like as 2.4V to 5.5V and low operating current are useful to apply small sized battery operated items.

■ PACKAGE OUTLINE



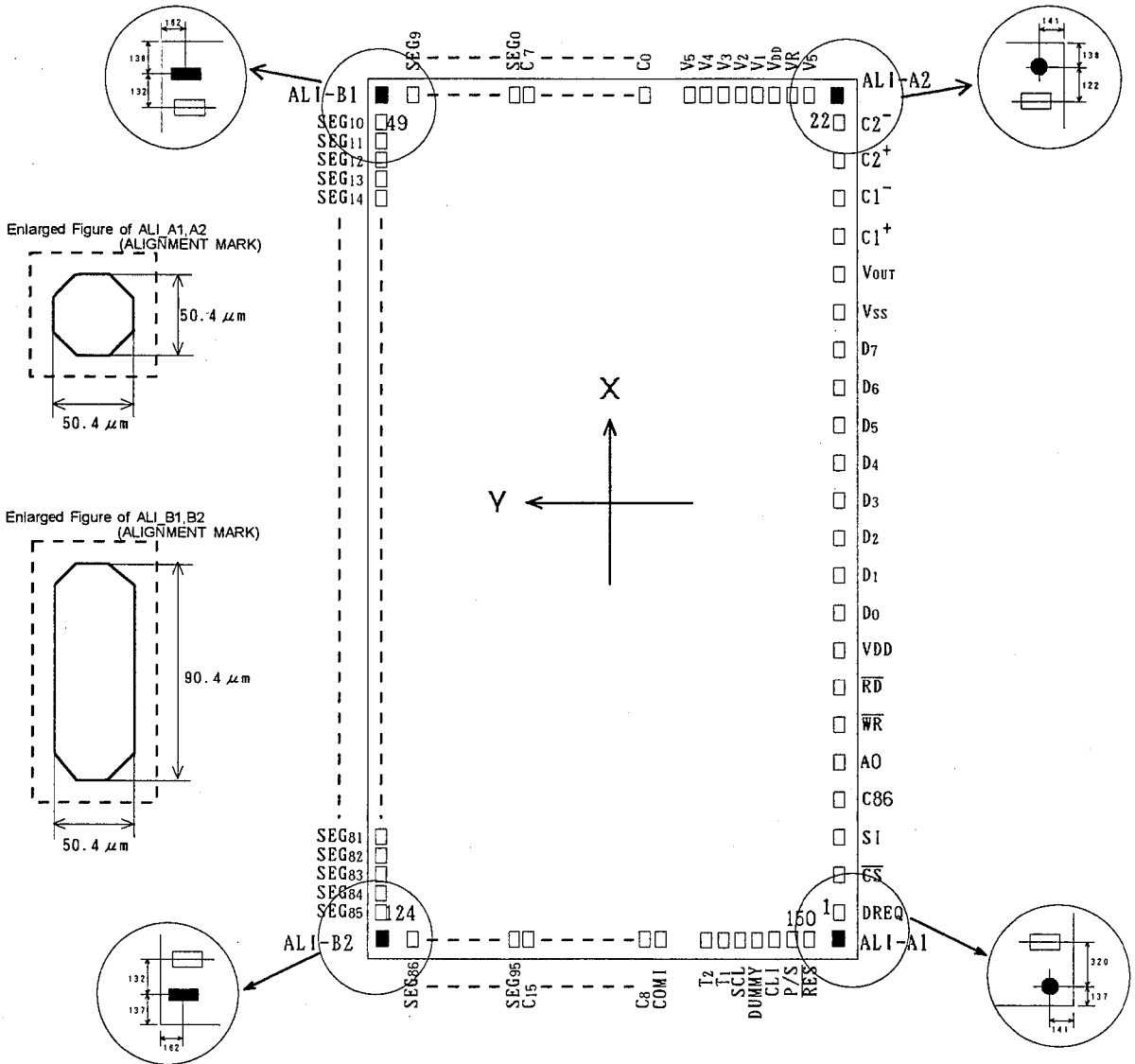
NJU6580CH

■ FEATURES

- Direct Correspondence between Display Data RAM and LCD Pixel
- Display Data RAM - 1,904 bits
- LCD Drivers - 16-common + 1 Icon common x 96-segment
- Direct Interface with both of 68 and 80 type MPU
- Serial Interface
- Programmable Duty Ratio ; 1/16 or 1/17 Duty
- Useful Instruction Set
Display Data Read/Write, Display ON/OFF Cont, Inverse Display, Page Address Set, Column Address Set, Status Read, All On/Off, Icon Display, Read Modify Write, Common Driver Order Assignment, Power Saving, and Scroll ON/OFF.
- Power Supply Circuits for LCD Incorporated
Step up Circuits, Regulator, Voltage Follower x 4
- Electrical Variable Resistance
- Low Power Consumption
- Operating Voltage — 2.4V ~ 5.5V
- LCD Driving Voltage — 6.0V ~ 10V
- Package Outline — Bumped Chip / TCP
- C-MOS Technology

New Japan Radio Co., Ltd.

■ PAD LOCATION



5

Chip Center X=0um, Y=0um
 Chip Size X=6.54mm, Y=3.54mm
 Chip Thickness 400um ± 30um
 Bump Size 50um x 110um
 Bump Height 25um TYP.
 Bump Material Au

■ : Four PADS illustrated with this mark are the alignment marks for COG.

■ PAD COORDINATES

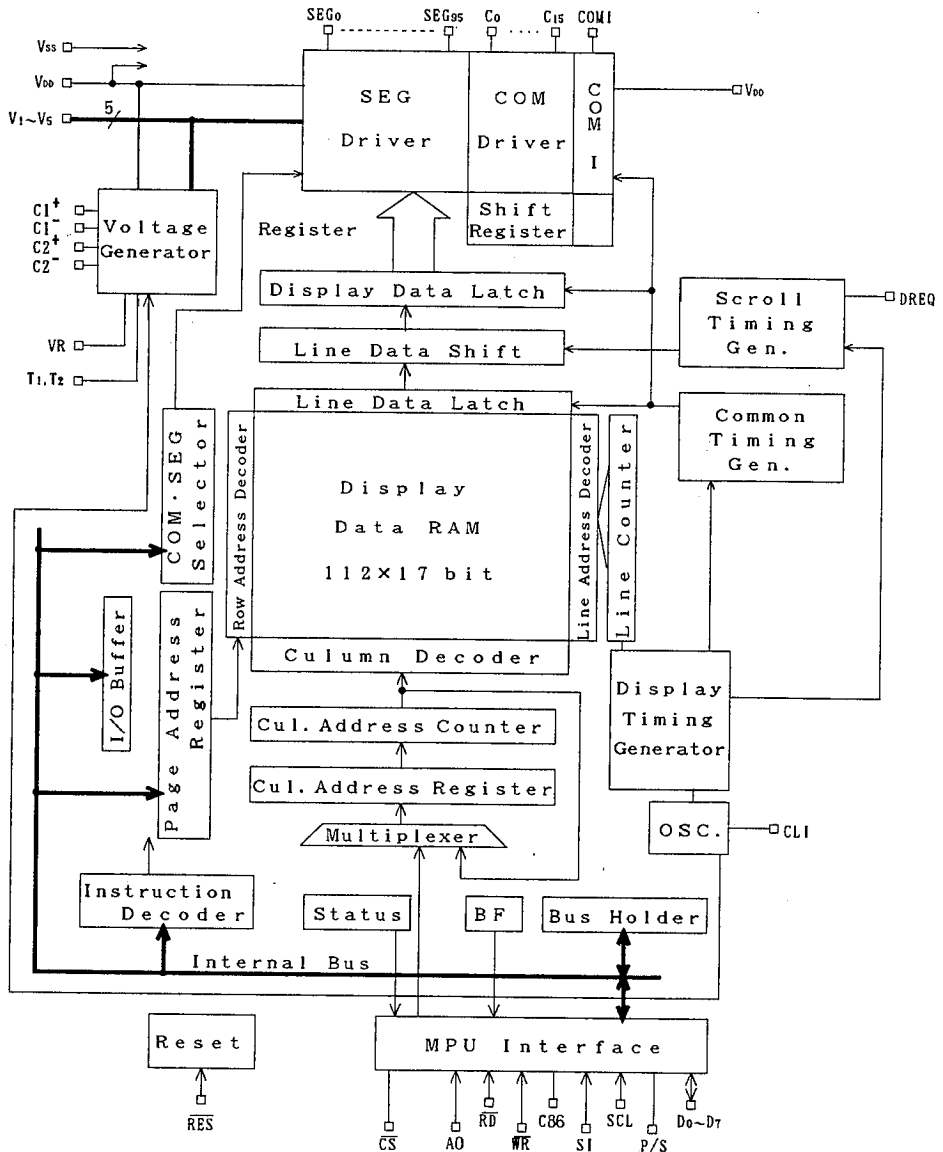
Chip Size 6.54mm x 3.54mm(Chip Center X=0um,Y=0um)

| PAD No. | Terminal | X=(μ m) | Y=(μ m) | PAD No. | Terminal | X=(μ m) | Y=(μ m) | PAD No. | Terminal | X=(μ m) | Y=(μ m) |
|---------|--------------------|--------------|--------------|---------|--------------------|--------------|--------------|---------|--------------------|--------------|--------------|
| 1 | DERQ | -2813 | -1603 | 51 | SEG _{1.2} | 2840 | 1602 | 101 | SEG _{6.2} | -1161 | 1602 |
| 2 | CS | -2582 | -1603 | 52 | SEG _{1.3} | 2760 | 1602 | 102 | SEG _{6.3} | -1241 | 1602 |
| 3 | SI | -2435 | -1603 | 53 | SEG _{1.4} | 2680 | 1602 | 103 | SEG _{6.4} | -1321 | 1602 |
| 4 | C86 | -2288 | -1603 | 54 | SEG _{1.5} | 2600 | 1602 | 104 | SEG _{6.5} | -1401 | 1602 |
| 5 | A0 | -2141 | -1603 | 55 | SEG _{1.6} | 2520 | 1602 | 105 | SEG _{6.6} | -1481 | 1602 |
| 6 | WR | -1993 | -1603 | 56 | SEG _{1.7} | 2440 | 1602 | 106 | SEG _{6.7} | -1561 | 1602 |
| 7 | RD | -1846 | -1603 | 57 | SEG _{1.8} | 2360 | 1602 | 107 | SEG _{6.8} | -1641 | 1602 |
| 8 | V _{DD} | -1721 | -1603 | 58 | SEG _{1.9} | 2280 | 1602 | 108 | SEG _{6.9} | -1721 | 1602 |
| 9 | D ₀ | -1401 | -1603 | 59 | SEG _{2.0} | 2200 | 1602 | 109 | SEG _{7.0} | -1801 | 1602 |
| 10 | D ₁ | -901 | -1603 | 60 | SEG _{2.1} | 2120 | 1602 | 110 | SEG _{7.1} | -1881 | 1602 |
| 11 | D ₂ | -401 | -1603 | 61 | SEG _{2.2} | 2040 | 1602 | 111 | SEG _{7.2} | -1961 | 1602 |
| 12 | D ₃ | 99 | -1603 | 62 | SEG _{2.3} | 1960 | 1602 | 112 | SEG _{7.3} | -2041 | 1602 |
| 13 | D ₄ | 599 | -1603 | 63 | SEG _{2.4} | 1880 | 1602 | 113 | SEG _{7.4} | -2121 | 1602 |
| 14 | D ₅ | 1099 | -1603 | 64 | SEG _{2.5} | 1800 | 1602 | 114 | SEG _{7.5} | -2201 | 1602 |
| 15 | D ₆ | 1599 | -1603 | 65 | SEG _{2.6} | 1720 | 1602 | 115 | SEG _{7.6} | -2281 | 1602 |
| 16 | D ₇ | 2099 | -1603 | 66 | SEG _{2.7} | 1640 | 1602 | 116 | SEG _{7.7} | -2361 | 1602 |
| 17 | V _{SS} | 2450 | -1603 | 67 | SEG _{2.8} | 1560 | 1602 | 117 | SEG _{7.8} | -2441 | 1602 |
| 18 | V _{OUT} | 2562 | -1603 | 68 | SEG _{2.9} | 1480 | 1602 | 118 | SEG _{7.9} | -2521 | 1602 |
| 19 | C1 ⁺ | 2674 | -1603 | 69 | SEG _{3.0} | 1400 | 1602 | 119 | SEG _{8.0} | -2601 | 1602 |
| 20 | C1 ⁻ | 2786 | -1603 | 70 | SEG _{3.1} | 1320 | 1602 | 120 | SEG _{8.1} | -2681 | 1602 |
| 21 | C2 ⁺ | 2898 | -1603 | 71 | SEG _{3.2} | 1240 | 1602 | 121 | SEG _{8.2} | -2761 | 1602 |
| 22 | C2 ⁻ | 3010 | -1603 | 72 | SEG _{3.3} | 1160 | 1602 | 122 | SEG _{8.3} | -2841 | 1602 |
| 23 | V ₅ | 3106 | -1415 | 73 | SEG _{3.4} | 1080 | 1602 | 123 | SEG _{8.4} | -2921 | 1602 |
| 24 | VR | 3106 | -1303 | 74 | SEG _{3.5} | 1000 | 1602 | 124 | SEG _{8.5} | -3001 | 1602 |
| 25 | V _{DD} | 3106 | -1191 | 75 | SEG _{3.6} | 920 | 1602 | 125 | SEG _{8.6} | -3107 | 995 |
| 26 | V ₁ | 3106 | -1079 | 76 | SEG _{3.7} | 840 | 1602 | 126 | SEG _{8.7} | -3107 | 915 |
| 27 | V ₂ | 3106 | -967 | 77 | SEG _{3.8} | 760 | 1602 | 127 | SEG _{8.8} | -3107 | 835 |
| 28 | V ₃ | 3106 | -855 | 78 | SEG _{3.9} | 680 | 1602 | 128 | SEG _{8.9} | -3107 | 755 |
| 29 | V ₄ | 3106 | -743 | 79 | SEG _{4.0} | 600 | 1602 | 129 | SEG _{9.0} | -3107 | 675 |
| 30 | V ₅ | 3106 | -631 | 80 | SEG _{4.1} | 520 | 1602 | 130 | SEG _{9.1} | -3107 | 595 |
| 31 | C ₀ | 3106 | -365 | 81 | SEG _{4.2} | 440 | 1602 | 131 | SEG _{9.2} | -3107 | 515 |
| 32 | C ₁ | 3106 | -285 | 82 | SEG _{4.3} | 360 | 1602 | 132 | SEG _{9.3} | -3107 | 435 |
| 33 | C ₂ | 3106 | -205 | 83 | SEG _{4.4} | 280 | 1602 | 133 | SEG _{9.4} | -3107 | 355 |
| 34 | C ₃ | 3106 | -125 | 84 | SEG _{4.5} | 200 | 1602 | 134 | SEG _{9.5} | -3107 | 275 |
| 35 | C ₄ | 3106 | -45 | 85 | SEG _{4.6} | 120 | 1602 | 135 | C _{1.5} | -3107 | 195 |
| 36 | C ₅ | 3106 | 35 | 86 | SEG _{4.7} | 40 | 1602 | 136 | C _{1.4} | -3107 | 115 |
| 37 | C ₆ | 3106 | 115 | 87 | SEG _{4.8} | -41 | 1602 | 137 | C _{1.3} | -3107 | 35 |
| 38 | C ₇ | 3106 | 195 | 88 | SEG _{4.9} | -121 | 1602 | 138 | C _{1.2} | -3107 | -45 |
| 39 | SEG ₀ | 3106 | 275 | 89 | SEG _{5.0} | -201 | 1602 | 139 | C _{1.1} | -3107 | -125 |
| 40 | SEG ₁ | 3106 | 355 | 90 | SEG _{5.1} | -281 | 1602 | 140 | C _{1.0} | -3107 | -205 |
| 41 | SEG ₂ | 3106 | 435 | 91 | SEG _{5.2} | -361 | 1602 | 141 | C ₉ | -3107 | -285 |
| 42 | SEG ₃ | 3106 | 515 | 92 | SEG _{5.3} | -441 | 1602 | 142 | C ₈ | -3107 | -365 |
| 43 | SEG ₄ | 3106 | 595 | 93 | SEG _{5.4} | -521 | 1602 | 143 | COMI | -3107 | -445 |
| 44 | SEG ₅ | 3106 | 675 | 94 | SEG _{5.5} | -601 | 1602 | 144 | T ₂ | -3107 | -603 |
| 45 | SEG ₆ | 3106 | 755 | 95 | SEG _{5.6} | -681 | 1602 | 145 | T ₁ | -3107 | -750 |
| 46 | SEG ₇ | 3106 | 835 | 96 | SEG _{5.7} | -761 | 1602 | 146 | SCL | -3107 | -897 |
| 47 | SEG ₈ | 3106 | 915 | 97 | SEG _{5.8} | -841 | 1602 | 147 | DUMMY | -3107 | -1009 |
| 48 | SEG ₉ | 3106 | 995 | 98 | SEG _{5.9} | -921 | 1602 | 148 | CLI | -3107 | -1121 |
| 49 | SEG _{1.0} | 3000 | 1602 | 99 | SEG _{6.0} | -1001 | 1602 | 149 | P/S | -3107 | -1268 |
| 50 | SEG _{1.1} | 2920 | 1602 | 100 | SEG _{6.1} | -1081 | 1602 | 150 | RES | -3107 | -1415 |

5

| PAD No. | Terminal | X=(μ m) | Y=(μ m) |
|-----------|----------|--------------|--------------|
| ALIGNMENT | A1 | -3133 | -1629 |
| ALIGNMENT | A2 | 3132 | -1629 |
| ALIGNMENT | B1 | 3132 | 1608 |
| ALIGNMENT | B2 | -3133 | 1608 |

■ BLOCK DIAGRAM



5

■ TERMINAL DESCRIPTION

| No. | Symbol | I/O | Function | | | | | | | | | | | | | | | | | | | | |
|-------------------------------|--|--------------------------------------|---|--------------------------------------|----------------|----------------|----------------|----------------|-------------|--------------------------------------|--------------------------------------|--------------------------------------|--------------------------------------|---|---|------------|-----------|-----------|---|---|------------|------------|-----------|
| 8,25 | V _{DD} | Power | V _{DD} = +5V (Less than 4.5V should be apply when voltage tripler using.) | | | | | | | | | | | | | | | | | | | | |
| 17 | V _{SS} | GND | V _{SS} = 0V | | | | | | | | | | | | | | | | | | | | |
| 26 27 28 29 23,30 | V ₁ V ₂ V ₃ V ₄ V ₅ | Power | <p>LCD Driving Voltage Supplying Terminal. If internal voltage tripler does not use, supply each level from outside maintained following relation.</p> $V_{DD} \geq V_1 \geq V_2 \geq V_3 \geq V_4 \geq V_5$ <p>When internal power supply is on, internal circuits generated and supply following LCD bias voltage to V₁ ~ V₄ terminals.</p> <table border="1" style="margin-left: auto; margin-right: auto;"> <thead> <tr> <th>Term.</th> <th>V₁</th> <th>V₂</th> <th>V₃</th> <th>V₄</th> </tr> </thead> <tbody> <tr> <td>Volt.</td> <td>V₅ + 4/5V_{LCD}</td> <td>V₅ + 3/5V_{LCD}</td> <td>V₅ + 2/5V_{LCD}</td> <td>V₅ + 1/5V_{LCD}</td> </tr> </tbody> </table> <p style="text-align: right;">(V_{LCD} = V_{DD} - V₅)</p> | Term. | V ₁ | V ₂ | V ₃ | V ₄ | Volt. | V ₅ + 4/5V _{LCD} | V ₅ + 3/5V _{LCD} | V ₅ + 2/5V _{LCD} | V ₅ + 1/5V _{LCD} | | | | | | | | | | |
| Term. | V ₁ | V ₂ | V ₃ | V ₄ | | | | | | | | | | | | | | | | | | | |
| Volt. | V ₅ + 4/5V _{LCD} | V ₅ + 3/5V _{LCD} | V ₅ + 2/5V _{LCD} | V ₅ + 1/5V _{LCD} | | | | | | | | | | | | | | | | | | | |
| 19 20 21 22 | C1 ⁺ C1 ⁻ C2 ⁺ C2 ⁻ | O | <p>Step up capacitor connecting terminals.</p> <p>In case of tripler operation, connect the capacitor between C1⁺ and C1⁻, C2⁺ and C2⁻.</p> <p>In case of doubler operation, connect the capacitor between C2⁺ and C2⁻, connect C2⁺ to C1⁺, and C1⁻ should be open.</p> | | | | | | | | | | | | | | | | | | | | |
| 18 | V _{OUT} | O | Step up voltage output terminal. Connect the step up capacitor between this terminal and V _{SS} . | | | | | | | | | | | | | | | | | | | | |
| 24 | VR | I | Voltage adjust terminal. V ₅ level is adjusted by external bleeder resistance connect between V _{DD} and V ₅ terminal. | | | | | | | | | | | | | | | | | | | | |
| 145,144 | T ₁ , T ₂ | I | <p>LCD bias voltage control terminals. ※ Don't Care</p> <table border="1" style="margin-left: auto; margin-right: auto;"> <thead> <tr> <th>T₁</th> <th>T₂</th> <th>Step up cir.</th> <th>Voltage Adj.</th> <th>V/F Cir.</th> </tr> </thead> <tbody> <tr> <td>L</td> <td>※</td> <td>Available</td> <td>Available</td> <td>Available</td> </tr> <tr> <td>H</td> <td>L</td> <td>Not Avail.</td> <td>Available</td> <td>Available</td> </tr> <tr> <td>H</td> <td>H</td> <td>Not Avail.</td> <td>Not Avail.</td> <td>Available</td> </tr> </tbody> </table> | T ₁ | T ₂ | Step up cir. | Voltage Adj. | V/F Cir. | L | ※ | Available | Available | Available | H | L | Not Avail. | Available | Available | H | H | Not Avail. | Not Avail. | Available |
| T ₁ | T ₂ | Step up cir. | Voltage Adj. | V/F Cir. | | | | | | | | | | | | | | | | | | | |
| L | ※ | Available | Available | Available | | | | | | | | | | | | | | | | | | | |
| H | L | Not Avail. | Available | Available | | | | | | | | | | | | | | | | | | | |
| H | H | Not Avail. | Not Avail. | Available | | | | | | | | | | | | | | | | | | | |
| 9 ~ 16 | D ₀ ~ D ₇ | I/O | Tri-state bilateral. Data I/O terminal when 8-bit parallel operation. | | | | | | | | | | | | | | | | | | | | |
| 5 | A0 | I | <p>Connect to the Address bus of MPU. The data on the D₀ to D₇ is distinguished Display data or Instruction by this signal.</p> <table border="1" style="margin-left: auto; margin-right: auto;"> <thead> <tr> <th>A0</th> <th>H</th> <th>L</th> </tr> </thead> <tbody> <tr> <td>Dist.</td> <td>Display Data</td> <td>Instruction</td> </tr> </tbody> </table> | A0 | H | L | Dist. | Display Data | Instruction | | | | | | | | | | | | | | |
| A0 | H | L | | | | | | | | | | | | | | | | | | | | | |
| Dist. | Display Data | Instruction | | | | | | | | | | | | | | | | | | | | | |
| 150 | RES | I | Reset terminal. When the RES terminal goes to "L", the initialization is performed. Reset operation is executing during "L" state of RES. | | | | | | | | | | | | | | | | | | | | |
| 2 | CS | I | Chip select terminal. Data input/output are available during CS="L". | | | | | | | | | | | | | | | | | | | | |
| 7 | RD (E) | I | <p><When interface with 80 type MPU> RD signal of 80 type MPU input terminal. Active "L". During this signal "L", the data bus becomes as output terminal.</p> <p><When interface with 68 type MPU> Enable clock of 68 type MPU input terminal. Active "H".</p> | | | | | | | | | | | | | | | | | | | | |

| No. | Symbol | I/O | F u n c t i o n | | | | | | | | | | | | | | | | | | |
|--------|---------------------------------|--------------|--|---|-------------|--------------|--------|------------|------------|-----|------------------------|----|----------------|---|---|-----|------------------------|----|----|------------|-----|
| 6 | $\overline{\text{WR}}$ (R/W) | I | <p><When interface with 80 type MPU> Connect the 80 type MPU WR signal. Active "L". The data on the data bus input synchronizing the rise edge of this signal.</p> <p><When interface with 68 type MPU> Read/write control signal of 68 type MPU input terminal.</p> <table border="1"> <tr> <td>R/W</td> <td>H</td> <td>L</td> </tr> <tr> <td>State</td> <td>Read</td> <td>Write</td> </tr> </table> | R/W | H | L | State | Read | Write | | | | | | | | | | | | |
| R/W | H | L | | | | | | | | | | | | | | | | | | | |
| State | Read | Write | | | | | | | | | | | | | | | | | | | |
| 4 | C86 | I | <p>Select the MPU interface type.</p> <table border="1"> <tr> <td>C86</td> <td>H</td> <td>L</td> </tr> <tr> <td>Status</td> <td>68 Type</td> <td>80 Type</td> </tr> </table> <p>C86 terminal should be fixed to V_{DD} or V_{SS}.</p> | C86 | H | L | Status | 68 Type | 80 Type | | | | | | | | | | | | |
| C86 | H | L | | | | | | | | | | | | | | | | | | | |
| Status | 68 Type | 80 Type | | | | | | | | | | | | | | | | | | | |
| 3 | SI | I | Serial data input terminal. | | | | | | | | | | | | | | | | | | |
| 146 | SCL | I | Serial data clock signal input terminal. SI data input at the rise edge of SCL in successively. It convert to the parallel data at the 8th SCL clock rise edge. | | | | | | | | | | | | | | | | | | |
| 149 | P/S | I | <p>Serial or parallel interface select terminal.</p> <table border="1"> <thead> <tr> <th>P/S</th> <th>Chip Select</th> <th>Data/Command</th> <th>Data</th> <th>Read/Write</th> <th>Serial CLK</th> </tr> </thead> <tbody> <tr> <td>"H"</td> <td>$\overline{\text{CS}}$</td> <td>A0</td> <td>$D_0 \sim D_7$</td> <td>$\overline{\text{RD}}$、$\overline{\text{WR}}$</td> <td>—</td> </tr> <tr> <td>"L"</td> <td>$\overline{\text{CS}}$</td> <td>A0</td> <td>SI</td> <td>Write only</td> <td>SCL</td> </tr> </tbody> </table> <p>*RAM data and status read operation is impossible when select the serial interface.</p> <ul style="list-style-type: none"> • When select the parallel interface (P/S="H"), SI and SCL must be fixed "H" or "L". • When select the serial interface (P/S="L"), $\overline{\text{RD}}$ and $\overline{\text{WR}}$ must be fix "H" or "L", and D_0 to D_7 becomes to the high impedance state. | P/S | Chip Select | Data/Command | Data | Read/Write | Serial CLK | "H" | $\overline{\text{CS}}$ | A0 | $D_0 \sim D_7$ | $\overline{\text{RD}}$ 、 $\overline{\text{WR}}$ | — | "L" | $\overline{\text{CS}}$ | A0 | SI | Write only | SCL |
| P/S | Chip Select | Data/Command | Data | Read/Write | Serial CLK | | | | | | | | | | | | | | | | |
| "H" | $\overline{\text{CS}}$ | A0 | $D_0 \sim D_7$ | $\overline{\text{RD}}$ 、 $\overline{\text{WR}}$ | — | | | | | | | | | | | | | | | | |
| "L" | $\overline{\text{CS}}$ | A0 | SI | Write only | SCL | | | | | | | | | | | | | | | | |
| 148 | CLI | I | External clock input terminal. | | | | | | | | | | | | | | | | | | |
| 1 | DREQ | O | Data request signal output terminal.(at the scroll ON) Active"H". | | | | | | | | | | | | | | | | | | |
| 147 | DUMMY | | DUMMY terminal. Normally open. | | | | | | | | | | | | | | | | | | |

| No. | Symbol | I/O | Function | | | | | | | | | | | | | | | | | | | | |
|-----------------|--|----------------------------------|--|-----------|-----------------|------------------|-------|-------------------|----------------------------------|---|-----------------|-----------------|----------------|----------------|----------------|----------------|---|---|----------------|-----------------|---|----------------|----------------|
| 31 ~ 38 | C ₀ ~ C ₇ | ○ | LCD drive output terminals. ● Common output terminals : C ₀ to C ₁₅ ● Segment output terminals : SEG ₀ to SEG ₉₅ • Segment output terminal Segment driving output terminals. The following output voltage is selected by combination of FR and data in the RAM. | | | | | | | | | | | | | | | | | | | | |
| 39 ~ 134 | SEG ₀ ~ SEG ₉₅ | | | | | | | | | | | | | | | | | | | | | | |
| 135 ~ 142 | C ₁₅ ~ C ₈ | | | | | | | | | | | | | | | | | | | | | | |
| | | | | | | | | | | | | | | | | | | | | | | | |
| | | | | | | | | | | | | | | | | | | | | | | | |
| | | | <table border="1"> <thead> <tr> <th rowspan="2">RAM Data</th> <th rowspan="2">FR</th> <th colspan="2">Output Voltage</th> </tr> <tr> <th>Normal</th> <th>Reverse</th> </tr> </thead> <tbody> <tr> <td rowspan="2">H</td> <td>H</td> <td>V_{DD}</td> <td>V₂</td> </tr> <tr> <td>L</td> <td>V₅</td> <td>V₃</td> </tr> <tr> <td rowspan="2">L</td> <td>H</td> <td>V₂</td> <td>V_{DD}</td> </tr> <tr> <td>L</td> <td>V₃</td> <td>V₅</td> </tr> </tbody> </table> | RAM Data | FR | Output Voltage | | Normal | Reverse | H | H | V _{DD} | V ₂ | L | V ₅ | V ₃ | L | H | V ₂ | V _{DD} | L | V ₃ | V ₅ |
| RAM Data | FR | Output Voltage | | | | | | | | | | | | | | | | | | | | | |
| | | Normal | Reverse | | | | | | | | | | | | | | | | | | | | |
| H | H | V _{DD} | V ₂ | | | | | | | | | | | | | | | | | | | | |
| | L | V ₅ | V ₃ | | | | | | | | | | | | | | | | | | | | |
| L | H | V ₂ | V _{DD} | | | | | | | | | | | | | | | | | | | | |
| | L | V ₃ | V ₅ | | | | | | | | | | | | | | | | | | | | |
| | | | • Common Output Terminal Common driving output terminals. The following output voltage is selected by combination of FR and common scanning data. | | | | | | | | | | | | | | | | | | | | |
| | | | <table border="1"> <thead> <tr> <th>Scan data</th> <th>FR</th> <th>Output Voltage</th> </tr> </thead> <tbody> <tr> <td rowspan="2">H</td> <td>H</td> <td>V₅</td> </tr> <tr> <td>L</td> <td>V_{DD}</td> </tr> <tr> <td rowspan="2">L</td> <td>H</td> <td>V₁</td> </tr> <tr> <td>L</td> <td>V₄</td> </tr> </tbody> </table> | Scan data | FR | Output Voltage | H | H | V ₅ | L | V _{DD} | L | H | V ₁ | L | V ₄ | | | | | | | |
| Scan data | FR | Output Voltage | | | | | | | | | | | | | | | | | | | | | |
| H | H | V ₅ | | | | | | | | | | | | | | | | | | | | | |
| | L | V _{DD} | | | | | | | | | | | | | | | | | | | | | |
| L | H | V ₁ | | | | | | | | | | | | | | | | | | | | | |
| | L | V ₄ | | | | | | | | | | | | | | | | | | | | | |
| 143 | COMI | ○ | Icon common output terminal. Icon common output when Icon Display instruction execution. | | | | | | | | | | | | | | | | | | | | |
| | | | <table border="1"> <thead> <tr> <th></th> <th>Icon Display ON</th> <th>Icon Display OFF</th> </tr> </thead> <tbody> <tr> <td>State</td> <td>COM₁₆</td> <td>V₁ or V₄</td> </tr> </tbody> </table> | | Icon Display ON | Icon Display OFF | State | COM ₁₆ | V ₁ or V ₄ | | | | | | | | | | | | | | |
| | Icon Display ON | Icon Display OFF | | | | | | | | | | | | | | | | | | | | | |
| State | COM ₁₆ | V ₁ or V ₄ | | | | | | | | | | | | | | | | | | | | | |

(Terminal 147 is NC)

■ Functional Description

(1) Description for each blocks

(1-1) Busy Flag (BF)

When the internal circuits are in the operation mode, the busy flag(BF) is "1", and any instruction except the status read are inhibited.

The busy flag output from D₇ terminal when status read instruction is executed.

If enough cycle time over than t_{CYC} indicated in the bus timing characteristics is kept, no need to check the busy flag and it realized high performance for the MPU.

(1-2) Line Counter

The Line Counter is reset at the FR signal changing and counts up by synchronizing common signal cycle and generate the line address which addressing the read out line of Display Data RAM.

(1-3) Column Address Counter

The column address counter is 8-bit presettable counter which addressing the column address as shown in Fig. 1. This counter increments (+1) up to (A0)_H when the Display Data Read/Write instruction is executed. This counter auto-increments (+1) up to (A0)_H but accessing to the display data RAM over than (6F)_H is forbidden.

Furthermore, this counter is independent with the Page Register.

By the Address Inverse Instruction, the column address decoder inverse the column address of Display Data RAM correspondence to the Segment Driver.

(1-4) Page Register

This register gives page address of Display Data RAM as shown Fig. 1. When the MPU access the data by changing the page, the page address set instruction is required. Page address "2"(D₁₅="H" and D₀="L") is Icon RAM area, the data only for the D₀ is valid.

(1-5) Display Data RAM

Display Data RAM consists of 1,904 bits stores the bit image display data (each bit correspond to the each pixel so called bit map method). The each bit in the Display Data RAM correspond to the each dot of the LCD panel and control the display by following bit data.

When Normal Display : On="1" , Off="0"

When Inverse Display : On="0" , Off="1"

The Display Data RAM output 112-bit parallel data addressed by the line counter, and these data are set in to the Display Data Latch.

This RAM and MPU are operating independently, therefore, there is no influence by the unsynchronize rewriting.

The relation between column address and segment output can inverse by the Address Inverse Instruction ADC as shown in Fig. 1.

(1-6) Common and Segment Driver Assignment

The scanning order can be assigned by setting A3 of the Output Assignment Register as shown Table 1. The location of Segment Drivers are fixed at any time.

Table 1

| Register | Common Output Terminals | | | | |
|----------|-------------------------|------------------|--------------------------|------------------|--------------------------|
| A3 | PAD No. | 38 | 31 | 142 | 135 |
| | Pin name | C ₇ | C ₀ | C ₈ | C ₁₅ |
| 0 | → | COM ₇ | ←----- COM ₀ | COM ₈ | -----> COM ₁₅ |
| 1 | → | COM ₈ | -----> COM ₁₅ | COM ₇ | ←----- COM ₀ |

The Icon display is regardless with this function, therefore the Icon Display instruction must be executed when the Icon display is needed. In this time, the Icon display driver COM1 is fixed to COM₁₅ timing regardless the other Common Driver assignment.

(1-7) Reset Circuits

The NJU6580 performs following initialization when the $\overline{\text{RES}}$ input is put on the "L" level.

Initialization

- ① Display Off
- ② Normal Display(Non-inverse display)
- ③ Icon Display Reset
- ④ ADC Select : Normal (ADC Instruction D₀ = "0")
- ⑤ Read Modify Write Mode Off
- ⑥ Internal Power supply(Step up) circuits Off
- ⑦ Clear the serial interface register
- ⑧ Set the address (00)_H to the Column Address Counter
- ⑨ Set the page "0" to the Page Address Register
- ⑩ Select the D₀ of the Output Assignment register to "0"
- ⑪ Set the EVR register to (00)_H
- ⑫ Scroll Off
- ⑬ Set the 8x8bit Mode to the Scroll ,Set the speed 4 to the Scroll speed.
- ⑭ Release the All page to the Scroll page.

The $\overline{\text{RES}}$ terminal connect to the Reset terminal of MPU to reset at same time as shown in "MPU Interface Example". The reset signal require over than 10us $\overline{\text{RES}}="L"$ level input as shown in "Electrical Characteristics".

After 1us from the rise edge of $\overline{\text{RES}}$ signal, the normal operation is starting.

In case of the internal power supply(Step up) circuits do not use, the $\overline{\text{RES}}$ terminal must be "L" when external power supply turn on. $\overline{\text{RES}}="L"$ input reset internal register and set above default, but oscillation circuits and output terminals like as D₀ through D₇ are no influence.

No initialization by $\overline{\text{RES}}$ when power turns on, will make Hung up condition, therefore please initialize by the $\overline{\text{RES}}$ when power turns on. By the reset Instruction performs only ⑧ through ⑪, ⑬, ⑭ mentioned in above.

The noise into the $\overline{\text{RES}}$ terminal should be cared when of the application design to avoid the error function.

(1-8) LCD Driving

(a) LCD Driving Circuits

NJU6580 incorporate 113 LCD Drivers like as 96 Segment drivers, 16 Common drivers and 1 Icon common driver. Common drivers incorporate the shift register which scanning the common display signal. The combination among the Display data, COM scan signal and FR signal define the LCD driving output voltage. The output wave form is mentioned in the Fig. 8.

(b) Line Data Latch Circuits

Line Data Latch stores 112-bit of one line display data for each common cycle which read out from the Display Data RAM temporary and transfer this data to the LCD Driver. The Line Data Latch Circuits latches COMn+1 data at COMn timing to performs smooth data shifting. (Fig. 2)

The Display On/Off and Static Drive On/Off controls the latched data only, therefore, the data in the Display Data RAM is no change and keep on remaining.

(c) Line Counter and Latch signal of Latch Circuits

The clock for Line Counter and latch signal for the Latch Circuits are generated from display clock. The line address is renewed by synchronizing with display clock and 112 bits display data are latched into display latch circuits synchronizing with display clock then output to the LCD driving circuits. The display data transfer to the LCD driving circuits is executed independently with RAM access by the MPU.

(d) Line Data Shift Circuits

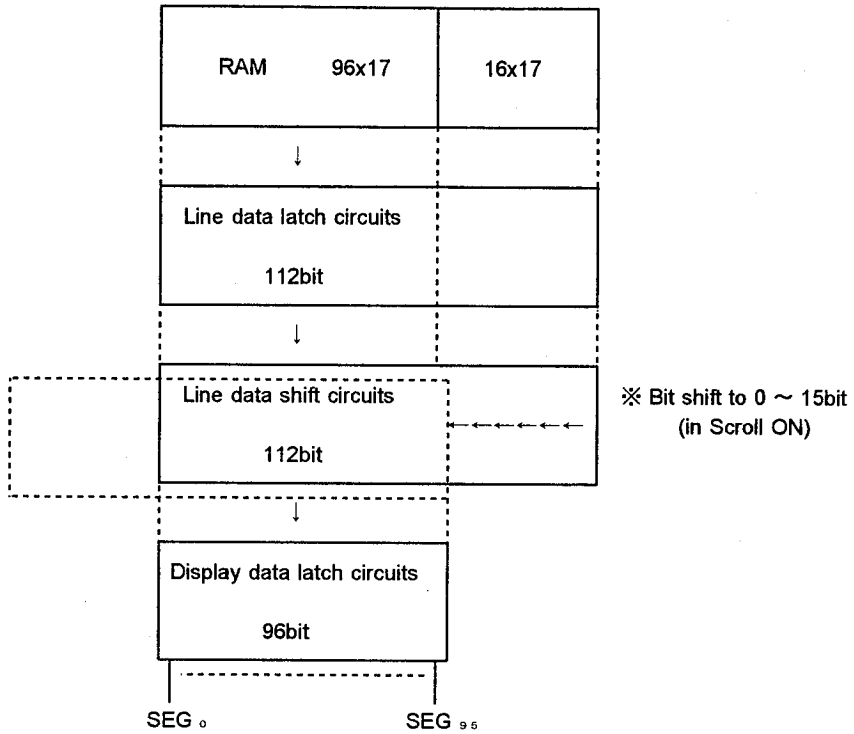
When the scroll "On" state the Line Data Shift Circuits shift maximum 15 bits toward the SEG₀ which input the line data from Line Data Latch Circuits, then output to Display Data Latch Circuits. In case of scroll "Off" state, the data input to the Line Data Shift Circuits output to the Display Data Latch without shift.

(e) Display Data Latch Circuits

The Display Data Latch Circuits temporarily stores 96 bits display data (which) shift 0 to 15 bits by the Line Data Shift Circuits and output to the segment drivers.

Output RAM Data to Segment

< Data Format >



< Timing >

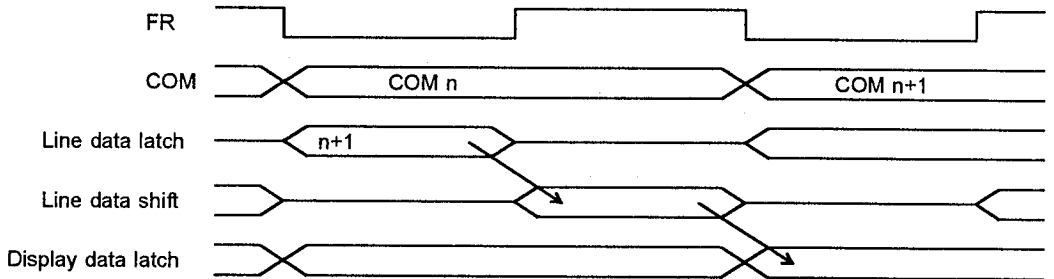


Fig. 2

(f) Display Timing Generator

This Generator generates the timing signal for the display system by combination of the master clock and Driving Signal FR. The Frame Signal FR has a function to generate the 2 frame alternative driving method waveform for the LCD panel.

(g) Common Timing Generation

The common timing is generated by display clock.

• Waveform of Display Timing

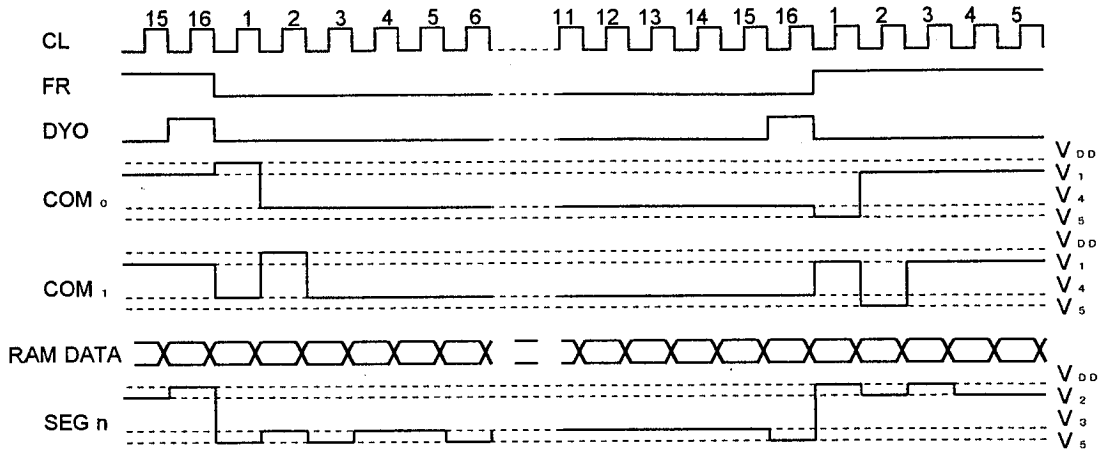


Fig. 3

(h) Fundamental Clock

The Fundamental Clock is input the CLI terminal to external. It is used as display timing signal source and the clock for step up circuits for LCD driving. The fundamental clocks output frequency is divided by 384 which is used as display clock CL.

(i) Power Supply Circuits

Internal Power Supply Circuits generate the High voltage and Bias voltage which required by the LCD. The power Supply Circuits consist of Step up (Tripler or Doubler) Circuits, Regulation Circuits, and Voltage Follower. Though the internal Power Supply designed for small size LCD panel, therefore it will not use for the large size LCD panel application. If the contrast is no good in those application, please use external power supply supplied more high current.

The suitable values of the capacitors connecting to the V1 to V5 terminals and the step up circuit, the feedback resistors for V5 operational amplifier depend on the LCD panel. And the power consumption in the LCD panel is changeable with the display pattern. Therefore a trial with actual module should be practiced.

The operation of internal Power Supply Circuits is controlled by the Internal Power Supply On/Off Instruction.

When the Internal Power Supply Off Instruction is executed, all of the step up circuits, regulation circuits, voltage follower circuits are off. In this time, the bias voltage of V1, V2, V3, V4, and V5 for the LCD supply from outside, terminals C1+, C1-, C2+, C2-, and VR are open. The status of internal power supply can select by T1 and T2 terminal. The external power supply can be used together with some of internal power supply function.

Table 3.

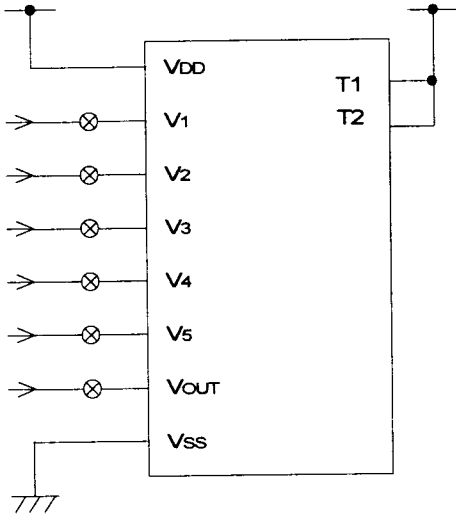
(*:Don't Care)

| T ₁ | T ₂ | Step up | Voltage Adj. | Buffer (V/F) | Ext. Pow Supply | C1+,C1-,C2+,C2- | VR Term. |
|----------------|----------------|---------|--------------|--------------|-----------------------------------|-----------------|----------|
| L | * | ○ | ○ | ○ | - | | |
| H | L | x | ○ | ○ | V _{OUT} | OPEN | |
| H | H | x | x | ○ | V _S , V _{OUT} | OPEN | OPEN |

When (T₁, T₂)=(H, L), the terminal for step up circuits of C1+, C1-, C2+, C2- are open due to the step up circuits doesn't work and supply the LCD driving voltage to the V_{OUT} terminal from outside. And in case of (T₁, T₂)=(H, H), terminals for step up circuits and VR are open, and supply the LCD driving voltage from outside due to the Step up circuits and Voltage adjust circuits are stop its operation.

○ Power Supply applications

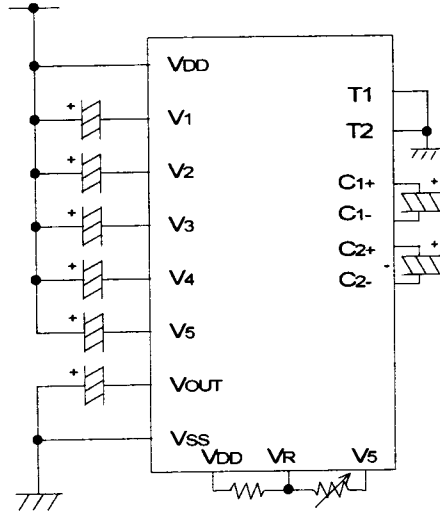
(1) External power supply operation.



(2) Internal power supply operation.

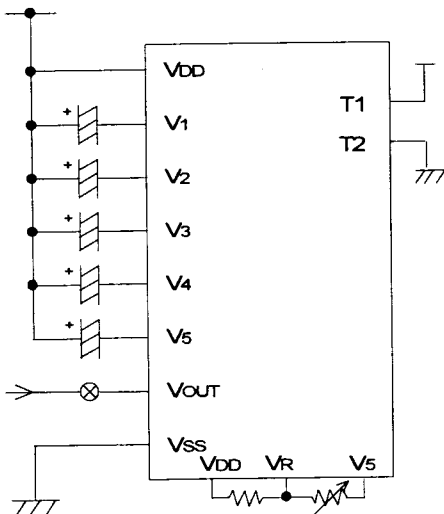
(Voltage Booster, Voltage Adj., Buffer(V/F))

Internal power supply ON (instruction) (T1,T2)=(L,L)



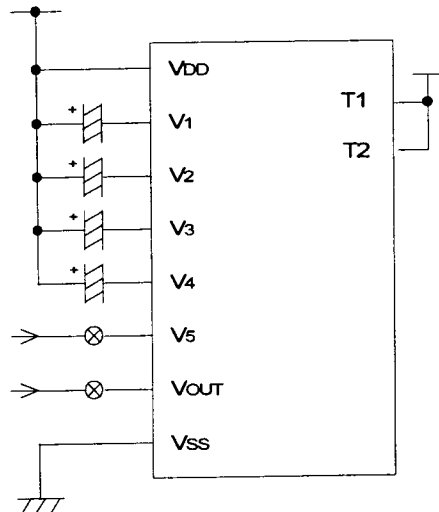
(3) External power supply operation with Voltage Adjustment, Buffer(V/F)

Internal power supply ON (Instruction) (T1,T2) = (H,L)



(4) External power supply operation adjusted Voltage to V5.

Internal power supply ON (Instruction) (T1,T2) =(H,H)



* ⊗ : These switches should be open during the power save mode.

(2) Instruction

The NJU6580 distinguish the signal on the data bus by combination of A0, \overline{RD} and \overline{WR} . Normally, the busy check is not required as the NJU6580 is operating so first because of the decode of the instruction and execution are performed only depend on the internal timing which not depend on the external clock. In case of serial interface, the data input as MSB first serially.

The Table. 3 shows the instruction codes of the NJU6580.

Table 3. Instruction Code

| Instruction | Code | | | | | | | | | | | Description |
|---|------|-----------------|-----------------|----------------|----------------|----------------|----------------|-------------------------|----------------|----------------|---|--|
| | A0 | \overline{RD} | \overline{WR} | D ₇ | D ₆ | D ₅ | D ₄ | D ₃ | D ₂ | D ₁ | D ₀ | |
| (1) Display ON/OFF | 0 | 1 | 0 | 1 | 0 | 1 | 0 | 1 | 1 | 1 | 0 | LCD Display ON/OFF 0:OFF 1:ON |
| (2) Page Address Set | 0 | 1 | 0 | 1 | 0 | 1 | 1 | * | * | Page Add. | | Set the page of DD RAM to the Page Add. Register |
| (3) Column Address Set High Order 4bit | 0 | 1 | 0 | 0 | 0 | 0 | 1 | High Order Column Add. | | | Set the Higher order 4 bits Column Address to the Reg. | |
| (4) Column Address Set Lower Order 4bit | 0 | 1 | 0 | 0 | 0 | 0 | 0 | Lower order Column Add. | | | Set the Lower order 4 bits Column Address to the Reg. | |
| (5) Status Read | 0 | 0 | 1 | Status | | | | 0 | 0 | 0 | 0 | Read out the internal Status |
| (6) Write Display Data | 1 | 1 | 0 | Write Data | | | | | | | | Write the data into the Display Data RAM |
| (7) Read Display Data | 1 | 0 | 1 | Read Data | | | | | | | | Read the Data from the Display Data RAM |
| (8) ADC Select | 0 | 1 | 0 | 1 | 0 | 1 | 0 | 0 | 0 | 0 | 0 | Set the DD RAM vs Segment 0:Normal 1:Inverse |
| (9) Normal or Inverse of On/Off Set | 0 | 1 | 0 | 1 | 0 | 1 | 0 | 0 | 1 | 1 | 0 | Inverse the On and Off Display 0:Normal 1:Inverse |
| (10) Whole Display On | 0 | 1 | 0 | 1 | 0 | 1 | 0 | 0 | 1 | 0 | 0 | Whole Display Turns On 0:Normal 1:Whole Disp. On |
| (11) Icon Display | 0 | 1 | 0 | 1 | 0 | 1 | 0 | 1 | 0 | 1 | 0 | Set the Duty Ratio 0:No Icon 1:With Icon |
| (12) Read Modify Write | 0 | 1 | 0 | 1 | 1 | 1 | 0 | 0 | 0 | 0 | 0 | Increment the Column Add. Register when writing but no-change when reading |
| (13) End | 0 | 1 | 0 | 1 | 1 | 1 | 0 | 1 | 1 | 1 | 0 | Release from the Read Modify Write Mode |
| (14) Reset | 0 | 1 | 0 | 1 | 1 | 1 | 0 | 0 | 0 | 1 | 0 | Initialize the internal Circuits |
| (15) ComOutput / Scroll Set Up | 0 | 1 | 0 | 1 | 1 | 0 | 0 | A3 | M | S1 | S0 | Set the COM (A3) and Scroll (M,S0,S1) |
| (16) Internal Power Supply On/Off | 0 | 1 | 0 | 0 | 0 | 1 | 0 | 0 | 1 | 0 | 0 | 0:Int. Power Supply Off 1:Int. Power Supply On |
| (17) LCD Driving Voltage Set | 0 | 1 | 0 | 1 | 1 | 1 | 0 | 1 | 1 | 0 | 1 | Set LCD Driving Voltage after the internal(external) power supply is turn on |
| (18) EVR Register Set | 0 | 1 | 0 | 1 | 0 | 0 | Setting Data | | | | Set the V _s output level to the EVR register | |
| (19) Power Save (Dual Command) | 0 | 1 | 0 | 1 | 0 | 1 | 0 | 1 | 1 | 1 | 0 | Set the Power save Mode |
| (20) Scroll Page Set | 0 | 1 | 0 | 0 | 1 | * | * | * | * | P1 | P0 | Set the Scroll Page P*=0:Used Scroll P*=1:No Scroll |
| (21) Scroll On / Off Set | 0 | 1 | 0 | 1 | 0 | 1 | 0 | 1 | 0 | 0 | 0 | Scroll ON/OFF 0:OFF 1:ON |
| (22) Data Request Reset | 0 | 1 | 0 | 0 | 0 | 1 | 0 | 0 | 0 | 0 | 0 | Reset the Data Request Signal |

(*:Don't Care)

(3) Explanation of Instruction Code

(a) Display On/Off

This instruction executes whole display On/Off no relation with the data in the Display Data RAM and internal conditions.

| | | | | | | | | | | | |
|--|----|------------------------|------------------------|-------------------------|---|---|---|---|---|---|-------------------------|
| | A0 | $\overline{\text{RD}}$ | $\overline{\text{WR}}$ | $\overline{\text{D}_7}$ | | | | | | | $\overline{\text{D}_0}$ |
| | 0 | 1 | 0 | 1 | 0 | 1 | 0 | 1 | 1 | 1 | D |

D 0: Display Off
1: Display On

(b) Page Address Set

When MPU access the Display Data RAM, the page address corresponded to the row address must be selected. The access in the Display Data RAM is available by setting the page and column address(Refer the Fig. 1.). The display is no influence by changing the page addressed. Page 2 is a Icon display data area which available only for the $\overline{\text{D}_0}$.

| | | | | | | | | | | | |
|--|----|------------------------|------------------------|-------------------------|---|---|---|---|---|----------------|-------------------------|
| | A0 | $\overline{\text{RD}}$ | $\overline{\text{WR}}$ | $\overline{\text{D}_7}$ | | | | | | | $\overline{\text{D}_0}$ |
| | 0 | 1 | 0 | 1 | 0 | 1 | 1 | * | * | A ₁ | A ₀ |

(*:Don't Care)

| A ₁ | A ₀ | Page |
|----------------|----------------|------|
| 0 | 0 | 0 |
| 0 | 1 | 1 |
| 1 | 0 | 2 |

(c) Column Address

When MPU access the Display Data RAM, page address set(refer(b) in front page) and column address set are required before the data writing. The column address set performs twice address setting of higher order 4 bits and lower order 4 bits. When the MPU access the Display Data RAM continuously, the column address increase "1" automatically, therefore, the MPU can access the data only without address setting.

This counter auto-increment up to (A0)_H, but accessing to the display data RAM over than (6F)_H is forbidden.

After writing 1 page data, page address setting is required due to page address doesn't increase automatically.

| | | | | | | | | | | | |
|--------------|----|------------------------|------------------------|-------------------------|---|---|---|----------------|----------------|----------------|-------------------------|
| | A0 | $\overline{\text{RD}}$ | $\overline{\text{WR}}$ | $\overline{\text{D}_7}$ | | | | | | | $\overline{\text{D}_0}$ |
| Higher Order | 0 | 1 | 0 | 0 | 0 | 0 | 1 | A ₇ | A ₆ | A ₅ | A ₄ |
| Lower Order | 0 | 1 | 0 | 0 | 0 | 0 | 0 | A ₃ | A ₂ | A ₁ | A ₀ |

| A ₇ | A ₆ | A ₅ | A ₄ | A ₃ | A ₂ | A ₁ | A ₀ | Column Address |
|----------------|----------------|----------------|----------------|----------------|----------------|----------------|----------------|----------------|
| 0 | 0 | 0 | 0 | 0 | 0 | 0 | 0 | 00 |
| 0 | 0 | 0 | 0 | 0 | 0 | 0 | 1 | 01 |
| | | | | | | | | ⋮ |
| 0 | 1 | 1 | 0 | 1 | 1 | 1 | 1 | 6F |

(d) Status Read

This instruction read out the internal status of "BUSY", "ADC", "ON/OFF" and "RESET".

| A0 | \overline{RD} | R/W \overline{WR} | D ₇ _____ D ₀ | | | | | | | |
|----|-----------------|------------------------|-------------------------------------|-----|--------|-------|---|---|---|---|
| 0 | 0 | 1 | BUSY | ADC | ON/OFF | RESET | 0 | 0 | 0 | 0 |

BUSY : BUSY=1 indicate the operating or the Reset cycle.
The instruction can be input after the BUSY status change to "0".

ADC : Indicate the output correspondence of column(segment) address and segment driver.
0 : Counterclockwise Output(Inverse) Column Address 95-n \longleftrightarrow Segment Driver n
1 : Clockwise Output (Normal) Column Address n \longleftrightarrow Segment Driver n
(Note) The data "0=Inverse" and "1=Normal" of ADC is inverted with the ADC select Instruction of "1=Inverse" and "0=Normal".

ON/OFF : Indicate the whole display On/Off status.
0 : Whole Display "On"
1 : Whole Display "Off"
(Note) The data "0=On" and "1=Off" of Display On/Off status read out is inverted with the Display On/Off instruction data of "1=On" and "0=Off".

RESET : Indicate the initialization period by \overline{RES} signal or reset instruction.
0 : —
1 : Initialization Period

(e) Write Display Data

This instruction write the 8-bit data on the data bus into the Display Data RAM. The column address increase "1" automatically when writing, therefore, the MPU can write the 8-bit data into the Display Data RAM without any address setting after the start address setting.

| A0 | \overline{RD} | R/W \overline{WR} | D ₇ _____ D ₀ | | | | | | | |
|----|-----------------|------------------------|-------------------------------------|--|--|--|--|--|--|--|
| 1 | 1 | 0 | WRITE DATA | | | | | | | |

(f) Read Display Data

This instruction read out the 8-bit data from Display Data RAM which addressed by the column and page address. The column address increase "1" automatically when reading, therefore, the MPU can read the 8-bit data from the Display Data RAM without any address setting after the start address setting. One time of dummy read is required after column address set as explain in "(5-5) Access to the Display Data RAM and Internal Register". In the serial interface mode, the display data can not be readout.

| A0 | \overline{RD} | R/W \overline{WR} | D ₇ _____ D ₀ | | | | | | | |
|----|-----------------|------------------------|-------------------------------------|--|--|--|--|--|--|--|
| 1 | 0 | 1 | READ DATA | | | | | | | |

(g) ADC Select

This instruction set the correspondence of column address in the Display Data RAM and segment driver output. (See Fig. 1.) By this instruction, the order of segment output can be changed by the software, and no restriction of the LSI placement against the LCD panel.

| A0 | RD | R/W WR | D ₇ _____ | | | | | | | D ₀ |
|----|----|-----------|----------------------|---|---|---|---|---|---|----------------|
| 0 | 1 | 0 | 1 | 0 | 1 | 0 | 0 | 0 | 0 | D |

- D 0: Clockwise Output (Normal)
- 1: Counterclockwise Output (Inverse)

(h) Normal or Inverse On/Off Set

This instruction set the normal or inverse turn on and turn off for whole display. The contents of Display Data RAM is no changed by this instruction execution.

| A0 | RD | R/W WR | D ₇ _____ | | | | | | | D ₀ |
|----|----|-----------|----------------------|---|---|---|---|---|---|----------------|
| 0 | 1 | 0 | 1 | 0 | 1 | 0 | 0 | 1 | 1 | D |

- D 0: Normal RAM data "1" correspond to "On"
- 1: Inverse RAM data "0" correspond to "On"

(i) Whole Display On

This instruction executes the all pixel turns on regardless the contents of the Display Data RAM. In this time, the contents of Display Data RAM is no change and is kept. This instruction takes over precedence over the "Normal or Inverse On/Off Set Instruction".

| A0 | RD | R/W WR | D ₇ _____ | | | | | | | D ₀ |
|----|----|-----------|----------------------|---|---|---|---|---|---|----------------|
| 0 | 1 | 0 | 1 | 0 | 1 | 0 | 0 | 1 | 0 | D |

- D 0: Normal Display
- 1: Whole Display turns on

When Whole Display On Instruction is executed in the Display Off status, the internal circuits put on the power save mode(refer to the (s) Power Save) .

(j) Icon Display

This instruction set the 1/17 duty for the Icon Display. The COM1 terminal operate as COM₁₆ and output the icon display data stored in D₀ of Display Data RAM page 2(refer to the Fig. 1).

| A0 | RD | R/W WR | D ₇ _____ | | | | | | | D ₀ |
|----|----|-----------|----------------------|---|---|---|---|---|---|----------------|
| 0 | 1 | 0 | 1 | 0 | 1 | 0 | 1 | 0 | 1 | D |

- D 0: 1/16 Duty
- 1: 1/17 Duty

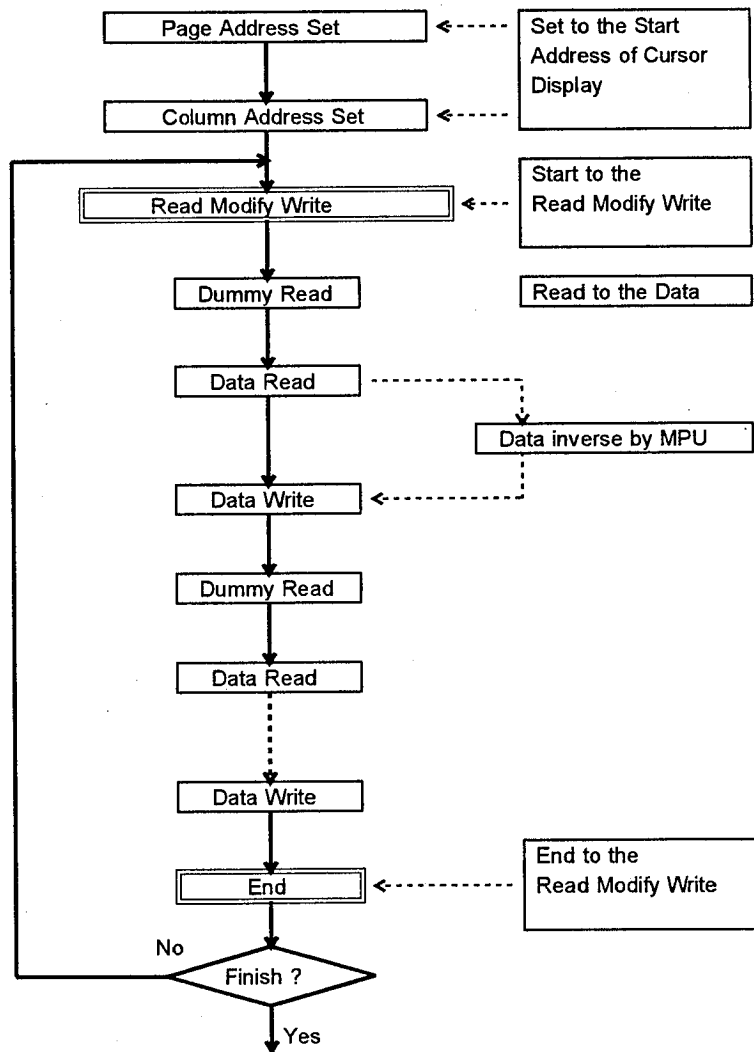
(k) Read Modify Write

This instruction set the Read Modify Write Mode which performs the column address increment. During the Read Modify Mode, the column address increase "1" automatically when the Display Data Write Instruction is executed, but the address is no change when the Display Data Read Instruction is executed. This status is continued during End instruction execution. When the End instruction is entered the column address back to the address where the Read Modify Write instruction entering. By this function, the load of MPU for example cyclic data writing operation like as cursor blink etc., can be reduced.

| A0 | $\overline{\text{RD}}$ | $\overline{\text{WR}}$ | D ₇ | | | | | | | | D ₀ |
|----|------------------------|------------------------|----------------|---|---|---|---|---|---|---|----------------|
| 0 | 1 | 0 | 1 | 1 | 1 | 0 | 0 | 0 | 0 | 0 | 0 |

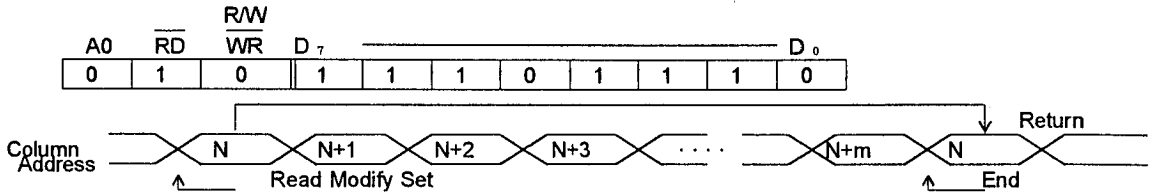
Note) During the Read Modify Write mode, any instruction except Column Address Set can be executed.

(l) Sequence of cursor display



(m) End

This instruction release the Read Modify Write mode and the column address back to the address where the read modify write mode setting.



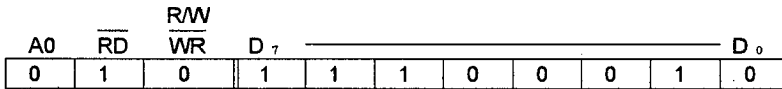
(n) Reset

This instruction executes the following initialization.

Initialization

- ① Set the Address (00)_H to the Column Address Counter.
- ② Set the page "0" to the Page Address Register.
- ③ Select the D₀ of the Output Assignment register to "0"
- ④ Set the EVR register to (00)_H
- ⑤ Set the 8x8bit Mode to the Scroll ,Set the speed 4 to the Scroll speed.
- ⑥ Release the All page to the Scroll page.

In this time, there are no influence to the Display Data RAM.

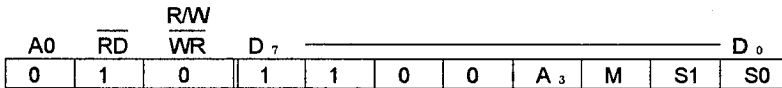


The reset signal input to the $\overline{\text{RES}}$ terminal must be required for the initialization when the power turns on. Substitution of Reset Instruction for the reset signal input to the $\overline{\text{RES}}$ terminal is not allowed.

5

(o) COM Output / Scroll Set Up

This instruction set the Common Driver scanning order and Scroll states.



A₃ : Set the Common Driver scanning order. (Refer to 1-6)

M : Set the Scroll Dot of 1-Characters

0 : 8x8 Dot Mode

1 : 16x16 Dot Mode

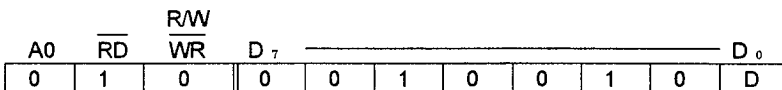
S0,S1 : Set the Scroll Speed in 4-step

| | Scroll Speed | S1 | S0 | |
|------|--------------|----|----|--------------------|
| fast | 4 | 0 | 0 | 32.6 dot/sec |
| ↑ | 3 | 0 | 1 | 16.3 dot/sec |
| ↓ | 2 | 1 | 0 | 8.1 dot/sec |
| slow | 1 | 1 | 1 | 4.1 dot/sec |

<CLI=400kHz, 1/16Duty>

(p) Internal Power Supply

This instruction set the internal Power Supply On/Off. Step up circuits, Voltage Regulator and Voltage Follower are activated when set the On. To operate the step up circuits, the operation of oscillation circuits is required.



D 0: Internal Power Supply Off

1: Internal Power Supply On

The internal Power Supply must be Off when external power supply using.

(q) LCD Driving Voltage Set

This instruction sets LCD driving voltage V1 ~ V4 and output LCD driving waveform through the COM/SEG terminals.

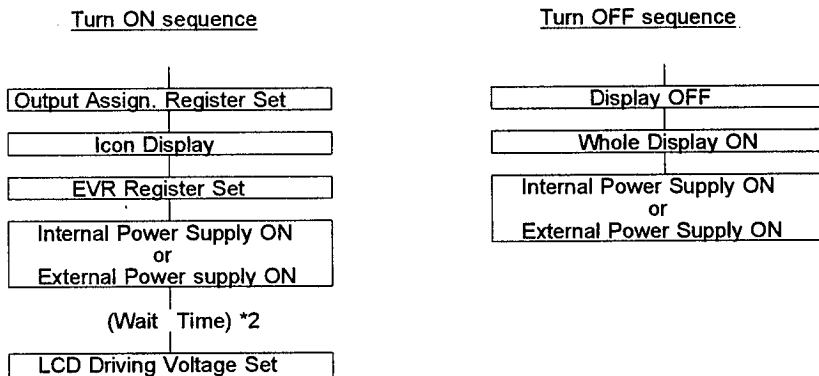
| A0 | \overline{RD} | \overline{WR} | R/W D ₇ D ₀ | | | | | | | |
|----|-----------------|-----------------|-----------------------------------|---|---|---|---|---|---|---|
| 0 | 1 | 0 | 1 | 1 | 1 | 0 | 1 | 1 | 0 | 1 |

NJU6580 contains operational amplifiers for LCD bias voltage V1 ~ V4. These amplifiers current are reduced in order to realize low power consumption. Because of this reduction, LCD driving voltage V1 ~ V4 might be unstable just after the internal power supply is turned on. LCD Driving Voltage Set instruction is prepared for this unstableness.

● LCD driving power supply ON/OFF sequences

The following sequences are required when the power supply is tuned on/of.

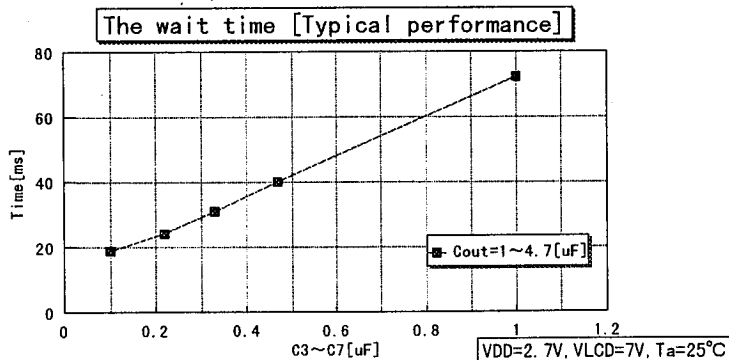
When the power supply is tuned on again after the turn off (by the power save instruction), the power save release sequence mentioned in (s) is required.



*1 This instruction is required in both cases of the internal and external power supply.

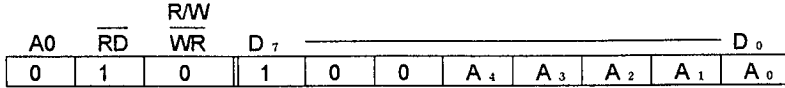
Until "LCD driving voltage Set" execution, NJU6580 operating current is higher than usual state and all COM/SEG terminals output V_{DD} level continuously except LCD driving waveform.

*2 The wait time depends on the C₃ ~ C₇, C_{OUT} capacitors((4) (d)Fig.5), V_{DD} and V_{LCD} voltage. Therefore a test on actual module should be practiced. Refer to the following graph.



(r) EVR Register Set

This instruction set the LCD Display contrast which is controlled by the voltage adjust circuits. When this instruction execute, the internal Electrical Variable Resistor(EVR) to change the V_s output voltage, generate one voltage from 32 voltage state. The range of V_s output level can be adjusted by the external resistance. For more detail, please refer to the "(4)(b) Voltage Adjust Circuits".



| A ₄ | A ₃ | A ₂ | A ₁ | A ₀ | V_{LCD} |
|----------------|----------------|----------------|----------------|----------------|-----------|
| 0 | 0 | 0 | 0 | 0 | Low |
| | | ⋮ | | | |
| | | ⋮ | | | |
| 1 | 1 | 1 | 1 | 1 | High |

$$V_{LCD} = V_{DD} - V_s$$

When EVR doesn't use, set the EVR register to (0,0,0,0,0).

(s) Power Save(Dual Command)

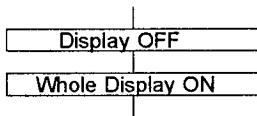
When both of Display Off and Whole Display On are executed, the internal circuits put on the power save mode and the operating current is reduced as same as stand by current.

The internal status in the Power Save Mode is as follows;

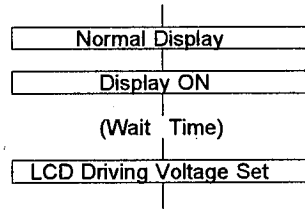
- ① Stop the Oscillation Circuits and Internal Power Supply Circuits operation.
- ② Stop the LCD driving. Segment and Common drivers output V_{DD} level.
- ③ Keeping the display data and operating mode as before the power save mode.
- ④ All of LCD driving bias voltage fixed to the V_{DD} level.

The power save and its release should be performed according to the following sequences.

Power Save Sequence



Power Save Release Sequence



*1 Power save mode requires dual-instruction. After the second instruction" whole Display ON", the power save mode starts.

*2 In the power save release sequence, the Display ON instruction should be performed after the Normal Display instruction. The power save mode is released after the Normal Display instruction.

*3 Until "LCD driving voltage set" execution, NJU6580 operating current is higher than usual state and all COM/SEG terminals output V_{DD} level continuously except the LCD driving waveform.

*4 In case of external bleeder resistors, cut current on these resistors electrically and fix them to V_{DD} or float them before the power save mode or at the same time. At this time V_{OUT} terminal should be floated or connected to the lowest voltage level of the system.

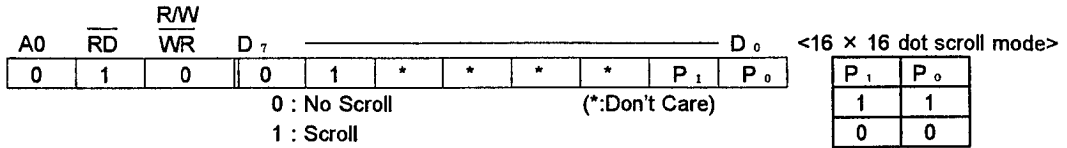
*5 In case of the external power supply, it should be turned off before the power save mode or at the same time, and V_{OUT} terminal should be floated or connected to the lowest voltage of the system.

5

(t) Scroll Page Set

This instruction sets some Scroll Pages at the same time.

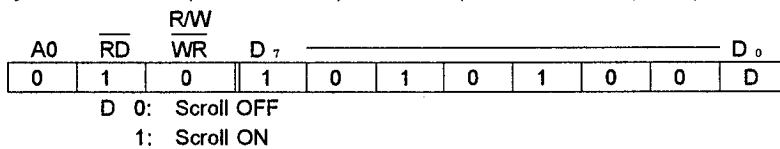
In case of 16x16 dots scroll mode, P₃ to P₀ data must be set from the following table.



(u) Scroll On/Off

This instruction sets the horizontal scroll On/Off.

When this instruction execute, the scroll performs under the condition set by both of COM Output, Scroll Set Up and Scroll Page Set instruction. When stop the scroll by this instruction, the scroll is not stopped immediately but after 7 dots (8x8 dots mode) or 15 dots (16x16 dots mode) shift performs completely.



(v) Data Request Reset

One character shift performs completely during the scroll operation, the DREQ terminal output the Data Request signal to the MPU. After rewrite the display data in the RAM, reset the DREQ terminal by this instructions required.

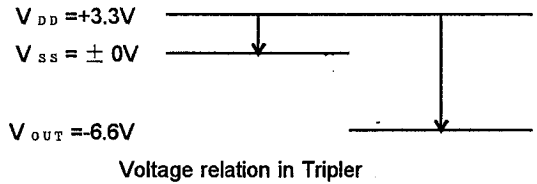
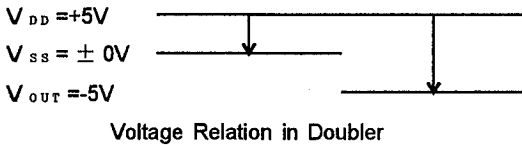
The timing of Data Request signal set is :

- In case of 16x16 dot mode : timing of COM₁₄
- In case of 8x8 dot mode : timing of COM₀, COM₁₄

(4) Internal Power Supply

(a) Voltage tripler

Three times negative voltage (V_{DD} common) of the voltage $V_{DD} - V_{SS}$ is output from V_{OUT} terminal when connecting three capacitor between $C1^+$ and $C1^-$, $C2^+$ and $C2^-$, V_{SS} and V_{OUT} . In case of the voltage doubler operation, connect the two capacitor between $C2^+$ and $C2^-$, V_{SS} and V_{OUT} , then connect the $C1^+$ and $C2^+$ terminals. Step up circuits like as Voltage Tripler or Doubler using an oscillation circuit's output as its clock signal, therefore, the oscillation circuit's operation is required when step up operation. The voltage relation regarding the step up circuits is shown in below. When voltage tripler operation, the operation voltage V_{DD} should be less than 3.3V.



(b) Voltage Adjust Circuits

The step up voltage of V_{OUT} output from V_S through the voltage adjust circuits. The output voltage of V_S is adjusted by changing the R_a and R_b within the range of $|V_S| < |V_{OUT}|$. The output voltage can be calculated by the following formula.

$$V_S = V_{DD} - (1 + R_b/R_a) \cdot V_{REG} \quad \text{①}$$

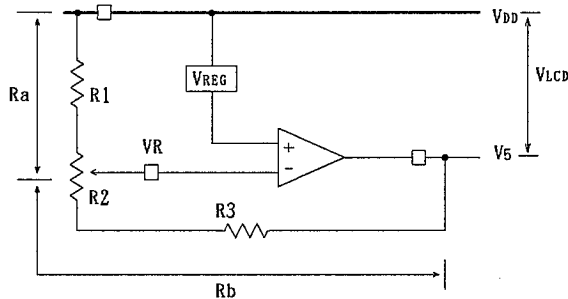


Fig. 4

Where, the V_{REG} is a constant voltage in the NJU6580 like as $V_{REG} \doteq 2.5V$.

To adjust the output voltage from V_S , connect the variable resistance among VR , V_{DD} and V_S as shown in Fig. 4. When fine tuning for V_S is needed, combine with the fixed resistance of R_1 , R_3 and variable resistance of R_2 is recommended as shown in Fig. 4.

Design example for R_1 , R_2 and R_3 (reference)

- $R_1 + R_2 + R_3 = 5M \Omega$ (Determined by the current flow between $V_{DD} - V_S$)
- Variable voltage range by the R_2 . $-4V \sim -6V$ ($V_{DD} - V_S \rightarrow 7V \sim 9V$)
(Determined by the LCD electrical characteristics)

R_1 , R_2 and R_3 are calculated by above conditions and the formula of ① to mentioned below;

$$R_1 = 1.389M \Omega$$

$$R_2 = 0.397M \Omega$$

$$R_3 = 3.214M \Omega$$

The voltage adjust circuits has a temperature coefficient against the V_{REG} output. If necessary, please connect the thermistor to the voltage adjust circuits serially.

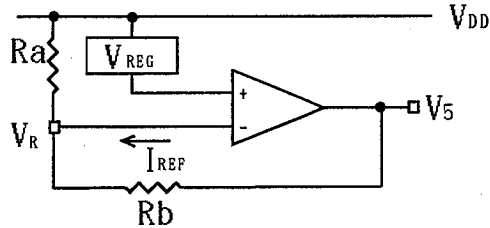
To avoid the noise trouble, short wiring or sealed wiring is required for VR terminal input due to the VR terminal is high impedance.

(c) Contrast Adjustment by using the EVR function

To use EVR function, the LCD driving voltage of V_s which controls LCD display contrast can adjust by the instruction. The EVR function is executed to set the 5 bits data into the EVR resistor and determine the one output voltage status out of 32 prefixed voltage status.

When execute the EVR function, set the T_1 and T_2 except the "H, H" and execute the Internal Power Supply On instruction.

[External parts constants setting example when EVR function using/reference]



(1) Determine the V_s voltage range controlled by EVR.

LCD Driving Voltage $V_{DD} - V_s$ $6V \sim 9V$
 The range of V_s $3V$

(2) Determine the R_b .

$R_b = [\text{The range of } V_s] / I_{REF}$ (32 status $I_{REF} \doteq 5 \mu A$ constant current)
 $R_b = 3V / 5 \mu A = 600k \Omega$ * $T_a = 25^\circ C$ $V_{DD} - V_{OUT} = 9V$

(3) Adjust the R_a

$$R_a = \frac{V_{REG}}{([\text{LCD Driving Voltage}] - V_{REG}) / R_b}$$

$$R_a = \frac{2.5 V}{(6V - 2.5V) / 600k \Omega} = 428.6k \Omega$$

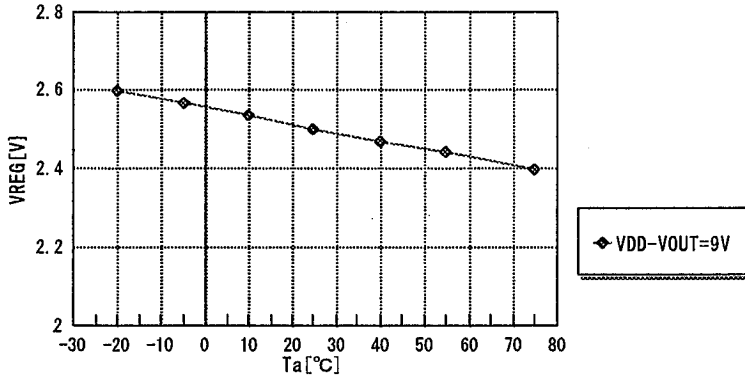
(4) Adjust the R_a

Adjust the R_a to good contrast of LCD display after the (D_4, D_3, D_2, D_1, D_0) of EVR register set to (1, 0, 0, 0, 0) or (0, 1, 1, 1, 1). When the EVR using, R_a use a variable resistance and contrast adjustment mentioned in (4) for each chip is required due to the I_{REF} is simple constant current source.

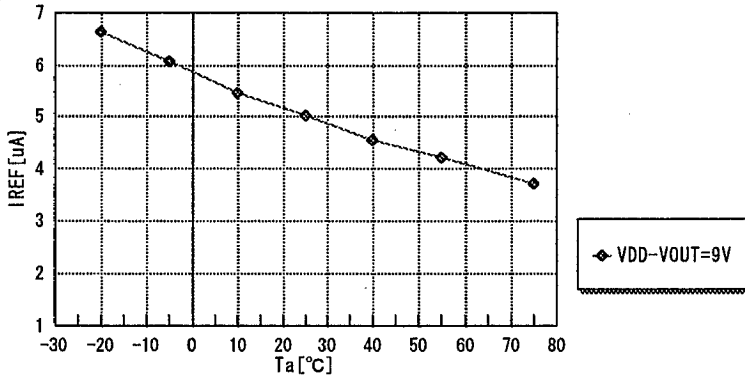
When the EVR function does not use, the (D_4, D_3, D_2, D_1, D_0) of EVR register set to (0, 0, 0, 0, 0) by the RES signal or the EVR Register Set instruction.

*) V_{REG} , I_{REF} depends on the voltage between V_{DD} and V_{OUT} , the operating temperature. Please refer to the following graphs.

VREG vs. Temperature (Typical performance)



IREF vs. Temperature (Typical performance)



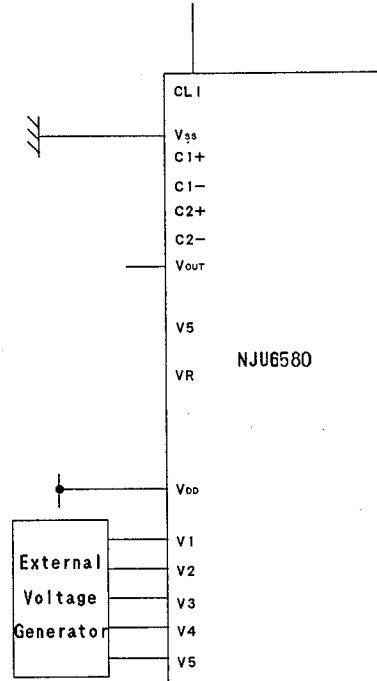
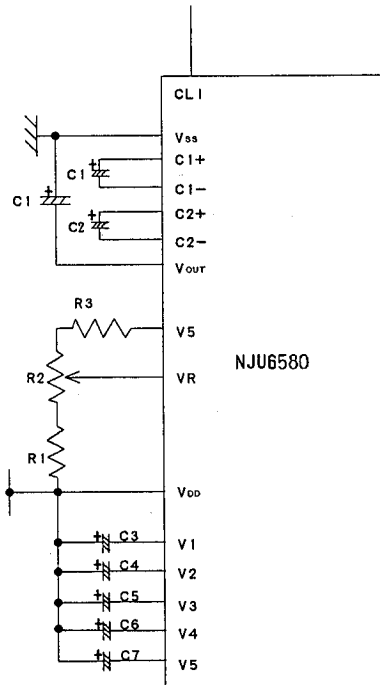
(d) LCD Driving Voltage Generation Circuits

The LCD driving bias voltage of V_1, V_2, V_3, V_4 are generated internally to divide the V_5 voltage by the bleeder resistance. And its supply to the LCD driving circuits after convert the impedance.

As shown in Fig. 5 capacitor are required for each LCD driving voltage terminal as a voltage stabilizing. And the value of capacitor C3 to C7 determine by combine with the actual LCD panel.

Using the internal Power Supply

Using the external Power Supply



Reference set up value
 $V_{LCD} = V_{DD} - V_5 \approx 7 \sim 9V$

| Item | Value |
|-------|------------------|
| C1-C2 | 4.7~10 μ F |
| C3~C7 | 0.1~0.47 μ F |
| R1 | 1.388M Ω |
| R2 | 0.388M Ω |
| R3 | 3.214M Ω |

Fig. 5

- *1 Short wiring or sealed wiring is required for the VR terminal due to the high impedance of VR terminal.
- *2 Following connection of V_{OUT} is required when external power supply using.
 - When $V_{SS} > V_5$ - $V_{OUT} = V_5$
 - When $V_{SS} \leq V_5$ - $V_{OUT} = V_{SS}$

(5) MPU Interface

(5-1) Interface type selection

NJU6580 can interface by using both of 8 bit bilateral data bus (D_7 to D_0) or serial interface (SI). The 8 bit parallel or serial interface is determined the P/S terminal connected to "H" or "L" level as shown in Table 4. In case of the serial interface, status and RAM data read out is impossible.

Table 4

| P/S | Type | \overline{CS} | A0 | \overline{RD} | \overline{WR} | C86 | SI | SCL | $D_0 \sim D_7$ |
|-----|----------|-----------------|----|-----------------|-----------------|-----|----|-----|----------------|
| H | Parallel | \overline{CS} | A0 | \overline{RD} | \overline{WR} | C86 | - | - | $D_0 \sim D_7$ |
| L | Serial | \overline{CS} | A0 | - | - | - | SI | SCL | OPEN |

(5-2) Parallel Interface

The NJU6580 can interface both of 68 or 80 type MPU directly by setting the parallel interface (P/S="H") and "H" or "L" of the C86 terminal as shown in Table 5.

Table 5

| C86 | Type | \overline{CS} | A0 | \overline{RD} | \overline{WR} | $D_0 \sim D_7$ |
|-----|-------------|-----------------|----|-----------------|-----------------|----------------|
| H | 68 type MPU | \overline{CS} | A0 | E | R/W | $D_0 \sim D_7$ |
| L | 80 type MPU | \overline{CS} | A0 | \overline{RD} | \overline{WR} | $D_0 \sim D_7$ |

(5-3) Discrimination of Data Bus Signal

The NJU6580 discriminate the signal on the data bus by the combination of A0, E, R/W, and (\overline{RD} , \overline{WR}) signals as shown in Table 6.

Table 6

| Common | 68 type | 80 type | | Function |
|--------|---------|-----------------|-----------------|--------------------------------------|
| | R/W | \overline{RD} | \overline{WR} | |
| A0 | | | | |
| 1 | 1 | 0 | 1 | Read Display Data |
| 1 | 0 | 1 | 0 | Write Display Data |
| 0 | 1 | 0 | 1 | Status Read |
| 0 | 0 | 1 | 0 | Write into the Register(Instruction) |

(5-4) Serial Interface.(P/S="L")

Serial interface circuits consist of 8 bits shift register and 3 bits counter. SI and SCL input are activated when the chip select terminals set to \overline{CS} ="L", and P/S terminal set to "L". The 8 bits shift register and 3 bits counter are reset to the initial condition in no chip selection period. The data input from SI terminal is MSB first like as the order of D_7 to D_0 , and the data is entered into the shift register synchronized at the rise edge of the serial clock SCL. The data in the shift register converted to parallel data at the 8th serial clock rise edge input. Discrimination of the display data or instruction for the serial input data is executed by the A0 input which take into the LSI at the 8th serial clock rise edge, or, A0="H" is display data and A0="L" is instruction. When RES terminal becomes "L" or CS terminal becomes "H" in spite of the data less than 8 bits, NJU6580 recognizes wrong data as a instruction data. Therefore 8bits data is required for the input data. The time chart for the serial interface is shown in Fig. 6. To avoid the noise trouble, the short wiring is required for the SCL input.

Note) The read out function, such as the status or RAM data read out, is not supported in this serial interface.

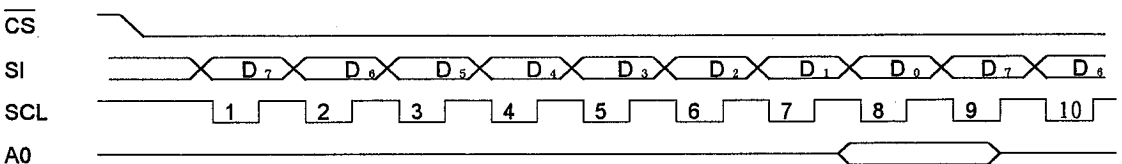


Fig. 6

(5-5) Access to the Display Data RAM and Internal Register.

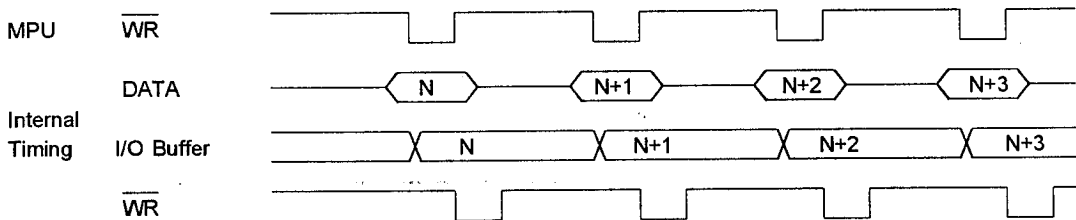
The NJU6580 is operating as one of pipe-line processor by the bus-holder connecting to the internal data bus to adjust the operation frequency between MPU and the Display Data RAM or Internal Register.

For example, when the MPU read out the data from the Display Data RAM, the data read out in the data read cycle(dummy read) is held in the bus-holder at once then read out from the bus-holder to the system bus at next data read cycle. And when write the data into the Display Data RAM, the data is held in the bus-holder at once then write into the Display Data RAM by next data write cycle.

Therefore high speed data transmission between MPU and NJU6580 is available because of the limitation of access time of NJU6580 locking from MPU is just determined by the cycle time only which ignored the access time of t_{ACC} and t_{DS} of Display Data RAM. If the cycle time can not be kept in the MPU operation, NOP operation cycle which equivalent to the waiting operation is useful.

Please note that the read out data is a address data when the read out execution just after the address setting. Therefore, one dummy read is required after address setting or write cycle as shown in Fig. 7.

● Write Operation



● Read Operation

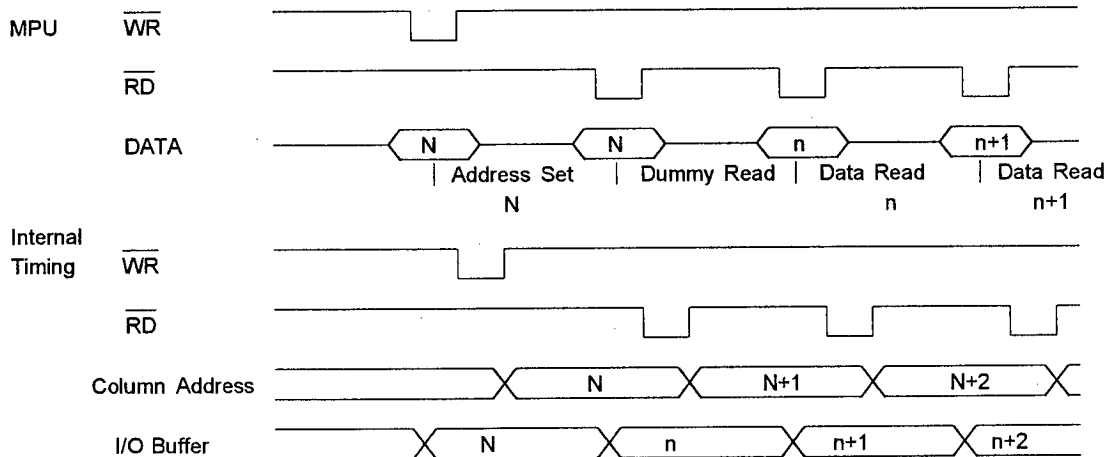


Fig. 7

(5-6) Chip Select

CS is Chip Select terminals. The Chip Select is executed by the setting of $\overline{CS} = "L"$. Only the select mode, the interface with MPU is available. In the non select period, the D_0 to D_7 are high impedance and A_0 , \overline{RD} , \overline{WR} , \overline{SI} and \overline{SCL} input are put on the disable state. If the serial interface is selected in the non select period, the shift register and counter are reset. The reset input is regardless with the condition of \overline{CS} .



N J U 6 5 8 0

■ ABSOLUTE MAXIMUM RATINGS

(Ta=25 °C)

| PARAMETER | SYMBOL | RATINGS | UNIT |
|-----------------------|--------------------------------|--|------|
| Supply Voltage (1) | V _{DD} | - 0.3 ~ + 7.0 - 0.3 ~ + 3.3 (used Tripler) | V |
| Supply Voltage (2) | V _S | V _{DD} -10.8 ~ V _{DD} +0.3 | V |
| Supply Voltage (3) | V ₁ ~V ₄ | V _S ~ V _{DD} +0.3 | V |
| Input Voltage | V _{IN} | - 0.3 ~ V _{DD} +0.3 | V |
| Operating Temperature | Topr | - 30 ~ + 80 | °C |
| Storage Temperature | Tstg | - 55 ~ + 125 (Chip) - 55 ~ + 100 (TCP) | °C |

Note 1) If the LSI are used on condition above the absolute maximum ratings, the LSI may be destroyed. Using the LSI within electrical characteristics is strongly recommended for normal operation. Use beyond the electric characteristics conditions will cause malfunction and poor reliability.

Note 2) All voltage values are specified as V_{SS} = 0 V.

Note 3) The relation : V_{DD} ≥ V₁ ≥ V₂ ≥ V₃ ≥ V₄ ≥ V_S ; V_{DD} > V_{SS} ≥ V_{OUT} must be maintained.

Note 4) Decoupling capacitor should be connected between V_{DD} and V_{SS} due to the stabilized operation for the Voltage converter.

■ ELECTRICAL CHARACTERISTICS (1)

(V_{DD} = 5V ± 10%, V_{SS} = 0V, Ta = -20 ~ +75 °C)

| PARAMETER | | SYMBOL | CONDITIONS | MIN | TYP | MAX | UNIT | Note | |
|----------------------|-----------|---------------------------------|---|--|-----------------|--|------|------|---|
| Operating Voltage(1) | Recommend | V _{DD} | | 4.5 | 5.0 | 5.5 | V | 5 | |
| | Available | | | 2.4 | | 5.5 | | | |
| Operating Voltage(2) | Recommend | V _S | | V _{DD} -10 | | V _{DD} -3.5 | V | | |
| | Available | | | V _{DD} -10 | | | | | |
| | Available | V ₁ , V ₂ | V _{LCD} =V _{DD} -V _S | V _{DD} -0.6xV _{LCD} | | V _{DD} | | | |
| | Available | V ₃ , V ₄ | | V _S | | V _{DD} -0.4xV _{LCD} | | | |
| Input Voltage | 1 | V _{IHC1} | A0, D ₀ ~D ₇ , RD, WR, CS, | V _{DD} =2.7V | | V _{DD} | V | | |
| | | V _{IHC2} | | | | | | | |
| | 2 | V _{ILC1} | RES, C86, S1, SCL, P/S Terminals | V _{DD} =2.7V | V _{SS} | | | | 0.3xV _{DD} |
| | | V _{ILC2} | | | | | | | V _{SS} |
| Output Voltage | 1 | V _{OHC11} | D ₀ ~D ₇ , DREQ Terminals | I _{OH} =-1mA V _{DD} =2.7V | | V _{DD} | V | | |
| | | V _{OHC12} | | | | I _{OH} =-0.5mA V _{DD} =2.7V | | | V _{DD} |
| | 2 | V _{OLC11} | D ₀ ~D ₇ , DREQ Terminals | I _{OL} =1mA V _{DD} =2.7V | V _{SS} | | | | 0.2xV _{DD} |
| | | V _{OLC12} | | | | | | | I _{OL} =0.5mA V _{DD} =2.7V |



■ ELECTRICAL CHARACTERISTICS (2)

| PARAMETER | | SYMBOL | CONDITIONS | MIN | TYP | MAX | UNIT | Note | |
|----------------------------|--------------------------------------|------------|---|--|------|----------------------|------|------|----|
| Input Leakage Current | | I_{L1} | All Input Terminals | -1.0 | | 1.0 | uA | 6 | |
| | | I_{L0} | D ₀ ~D ₇ Terminals | -3.0 | | 3.0 | | | |
| Driver On-resistance | | R_{ON1} | Ta=25°C V _{LCD} =10V V _{LCD} =8V | | 2.0 | 3.0 | kΩ | 7 | |
| | | R_{ON2} | | | 3.0 | 4.5 | | | |
| Stand-by Current | | I_{DD0} | During Power Save mode | | 0.05 | 5.0 | uA | | |
| Operating Current | | I_{DD12} | Display | | 11 | 22 | uA | 8 | |
| | | I_{DD14} | V _{LCD} =8V V _{DD} =2.7V | | 5 | 10 | | | |
| | | I_{DD21} | Accessing f _{cy} =200kHz V _{DD} =2.7V | | 170 | 340 | uA | 9 | |
| | | I_{DD22} | | | 65 | 130 | | | |
| Input Terminal Capacitance | | C_{IN} | Ta=25°C A0, D ₀ ~D ₇ , RD, WR, CS, RES, C86, S1, SCL, P/S, T1, T2 Terminals | | 10 | | pF | | |
| Operation Clock | | f_{CL1} | V _{DD} =5.0V | | 400 | | kHz | | |
| Voltage Tripler | Input Voltage | V_{DD1} | V _{DD} -V _{SS} | 2.4 | | 5.5 | V | 10 | |
| | | V_{DD2} | V _{DD} -V _{SS} , used Tripler | 2.4 | | 3.3 | | | |
| | Output Volt. | V_{OUT} | V _{SS} -V _{LCD} , used Tripler | -6.6 | | | V | | |
| | On-resistance | R_{TR1} | V _{DD} =3V; C=4.7uF used Tripler | | 650 | 1100 | | | |
| | Adjustment range of LCD Driving Volt | V_{OUT} | Tripler Circuit "OFF" | V _{DD} -10 | | V _{DD} -5.0 | V | 11 | |
| | Voltage Follower | V_5 | Voltage Adjustment Circuit "OFF" | V _{DD} -10 | | V _{DD} -5.0 | V | | |
| | Operating Current | | I_{OUT1} | V _{DD} =3.3V, V _{LCD} =8V | | 50 | 100 | uA | 12 |
| | | | I_{OUT2} | COM/SEG Term. Open, no Access | | 14 | 28 | | |
| | | | I_{OUT3} | Display check. pattern | | 13 | 20 | | |
| | Voltage Reg. | | V_{REG} | V _{DD} -V _{OUT} =9V; Ta=25°C | 1.25 | 2.5 | 3.75 | V | 13 |
| Reference Current | | I_{REF} | V _{DD} -V _{OUT} =9V; Ta=25°C | 4.7 | 6.7 | 8.7 | uA | | |

Note 5) NJU6580 can operate wide operating range, but it is not guarantee immediate voltage changing during the accessing of the MPU.

Note 6) Apply to the High-impedance state of D₀ to D₇ terminals.

Note 7) R_{ON} is the resistance values between power supply terminals(V₁, V₂, V₃, V₄) and each output terminals of common and segment supplied by 0.1V. This is specified within the range of supply voltage (2).

Note 8,9,12) Apply to current after "LCD Driving Voltage set.

Note 8) Apply to no access from the MPU and no use internal power supply circuits.

Note 9) Apply to the condition of cyclic (tcyc) inverted data input continuously in no use internal power supply circuits. The operating current during the accessing is proportionate to the access frequency. In the no accessing period, it is as same as I_{DDIX} .

Note 10) Supply voltage (V_{DD}) range for internal Voltage Tripler operation.

Note 11) LCD driving voltage V_s can be adjusted within the voltage follower operating range.

Note 12) Each operating current of voltage supply circuits block is specified under below table conditions.

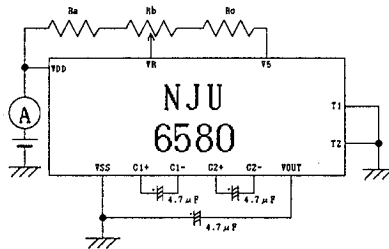
| SYMBOL | Status | | Operating Condition | | | | External Voltage Supply (Input Terminal) |
|------------|--------|----|---------------------|-----------------|--------------------|------------------|--|
| | T1 | T2 | Internal Oscillator | Voltage Tripler | Voltage Adjustment | Voltage Follower | |
| I_{OUT1} | L | * | Validity | Validity | Validity | Validity | Unuse |
| I_{OUT2} | H | L | Validity | Invalidity | Validity | Validity | Use (V_{OUT}) |
| I_{OUT3} | H | H | Validity | Invalidity | Invalidity | Validity | Use (V_{OUT}, V_s) |

* = Don't Care

Note 13) Apply to the precision of Voltage on each EVR steps.

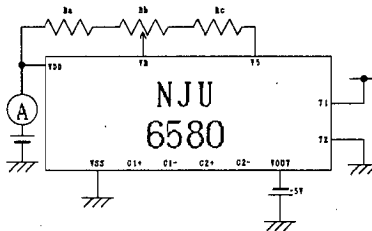
MEASUREMENT BLOCK DIAGRAM : I_{OUT1}

$R_a + R_b + R_c = 2M \Omega$

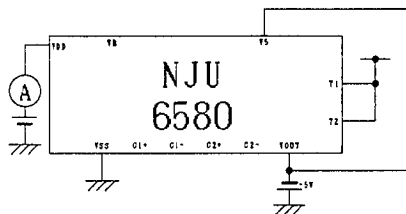


: I_{OUT2}

$R_a + R_b + R_c = 2M \Omega$



: I_{OUT3}



■ ELECTRICAL CHARACTERISTICS (3)

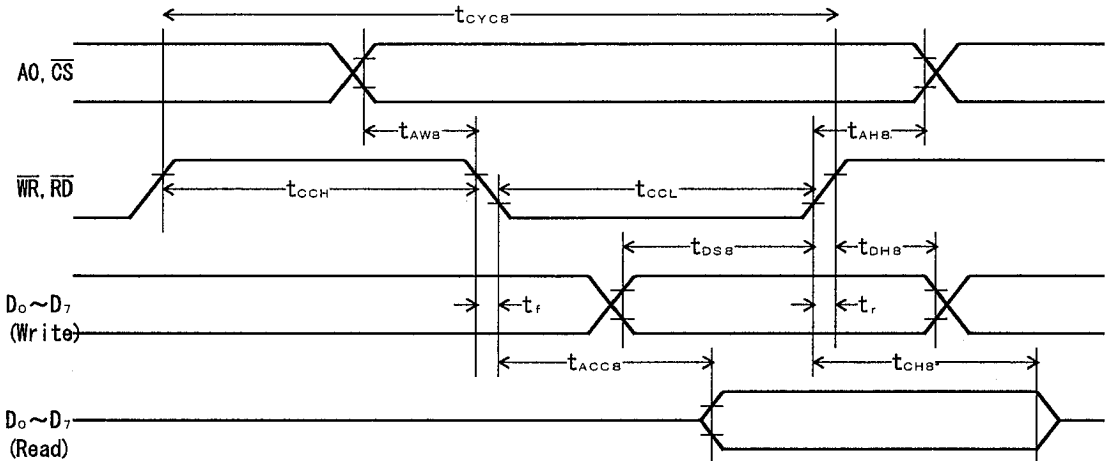
| P A R A M E T E R | S Y M B O L | C O N D I T I O N S | M I N | T Y P | M A X | U N I T | N o t e |
|-----------------------------|-------------|----------------------------------|-------|-------|-------|---------|---------|
| Reset time | t_R | $\overline{\text{RES}}$ Terminal | 1.0 | | | us | 14 |
| Reset "L" Level Pulse Width | t_{RW} | | 10 | | | us | 15 |

Note 14) Specified from the rising edge of $\overline{\text{RES}}$ to finish the internal circuit reset.

Note 15) Specified minimum pulse width of $\overline{\text{RES}}$ signal. Over than t_{RW} "L" input should be required for correct reset operation.

■ BUS TIMING CHARACTERISTICS

- Read/Write operation sequence (80 Type MPU)



($V_{DD}=5.0V \pm 10\%$, $T_a=-20 \sim 75^\circ C$)

| PARAMETER | | SYMBOL | MIN | MAX | CONDITION | UNIT |
|----------------------|---|--------------|-----|-----|-----------|------|
| Address Hold Time | AO, \overline{CS} | t_{AHB} | 10 | | | ns |
| Address Set Up Time | Terminals | t_{AWB} | 10 | | | |
| System Cycle Time | | t_{CYCB} | 200 | | | |
| Control Pulse Width | WR, RD Terminals | $t_{CCL}(W)$ | 25 | | | |
| | | $t_{CCL}(R)$ | 80 | | | |
| | | t_{CCH} | 90 | | | |
| Data Set Up Time | D ₀ ~D ₇ Terminals | t_{DSB} | 60 | | | |
| Data Hold Time | | t_{DHB} | 10 | | | |
| RD Access Time | | t_{ACCB} | | 70 | CL=100pF | |
| Output Disable Time | | t_{OHB} | 0 | 30 | | |
| Rise Time, Fall Time | \overline{CS} , WR, RD AO, D ₀ ~D ₇ Terminals | t_r, t_f | | 15 | | |

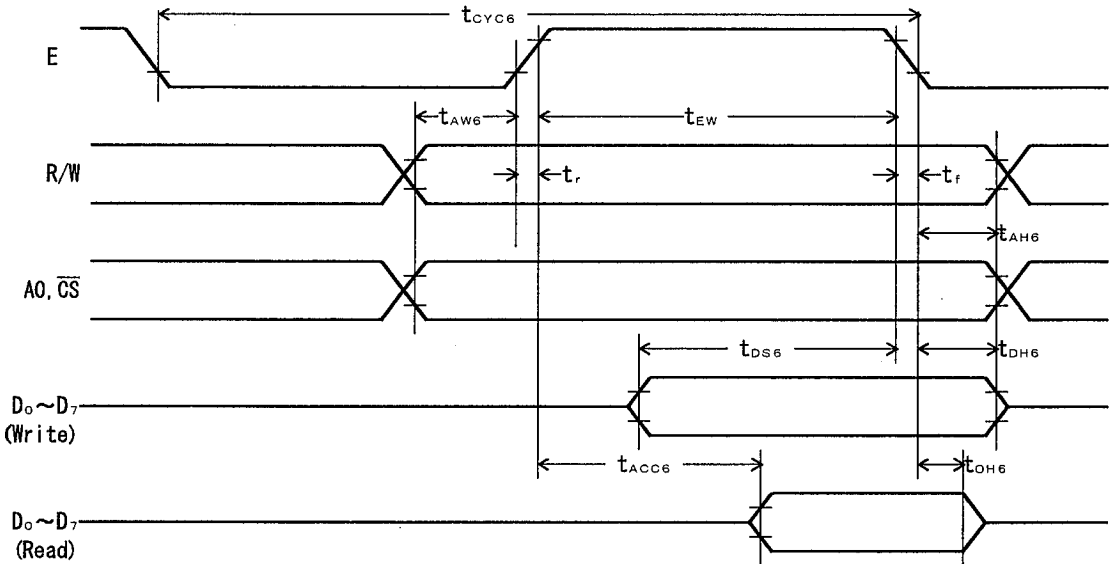
($V_{DD}=2.7V \sim 4.5V$, $T_a=-20 \sim 75^\circ C$)

| PARAMETER | | SYMBOL | MIN | MAX | CONDITION | UNIT |
|----------------------|---|--------------|-----|-----|-----------|------|
| Address Hold Time | AO, \overline{CS} | t_{AHB} | 25 | | | ns |
| Address Set Up Time | Terminals | t_{AWB} | 25 | | | |
| System Cycle Time | | t_{CYCB} | 400 | | | |
| Control Pulse Width | WR, RD Terminals | $t_{CCL}(W)$ | 50 | | | |
| | | $t_{CCL}(R)$ | 200 | | | |
| | | t_{CCH} | 220 | | | |
| Data Set Up Time | D ₀ ~D ₇ Terminals | t_{DSB} | 120 | | | |
| Data Hold Time | | t_{DHB} | 35 | | | |
| RD Access Time | | t_{ACCB} | | 140 | CL=100pF | |
| Output Disable Time | | t_{OHB} | 0 | 35 | | |
| Rise Time, Fall Time | \overline{CS} , WR, RD AO, D ₀ ~D ₇ Terminals | t_r, t_f | | 15 | | |

Note 16) Rise time(t_r) and fall time(t_f) of input signal should be less than 15ns.

Note 17) Each timing is specified based on $0.2 \times V_{DD}$ and $0.8 \times V_{DD}$.

• Read/Write operation sequence (68 Type MPU)



($V_{DD}=5.0V \pm 10\%$, $T_a=-20 \sim 75^\circ C$)

| PARAMETER | | SYMBOL | MIN | MAX | CONDITION | UNIT |
|----------------------|---|------------|-----|-----|-----------|------|
| Address Hold Time | A0, \overline{CS} , R/W Terminals | t_{AH6} | 10 | | CL=100pF | ns |
| Address Set Up Time | | t_{AW6} | 10 | | | |
| System Cycle Time | | t_{CYC6} | 200 | | | |
| Enable Pulse Width | E Terminal | t_{EW} | 100 | | | |
| | | | 25 | | | |
| Data Set Up Time | D ₀ ~D ₇ Terminals | t_{DS6} | 60 | | | |
| Data Hold Time | | t_{DH6} | 20 | | | |
| Access Time | | t_{ACC6} | | 70 | | |
| Output Disable Time | | t_{OH6} | 0 | 25 | | |
| Rise Time, Fall Time | A0, \overline{CS} , R/W E, D ₀ ~D ₇ Terminals | t_r, t_f | | 15 | | |

($V_{DD}=2.7V \sim 4.5V$, $T_a=-20 \sim 75^\circ C$)

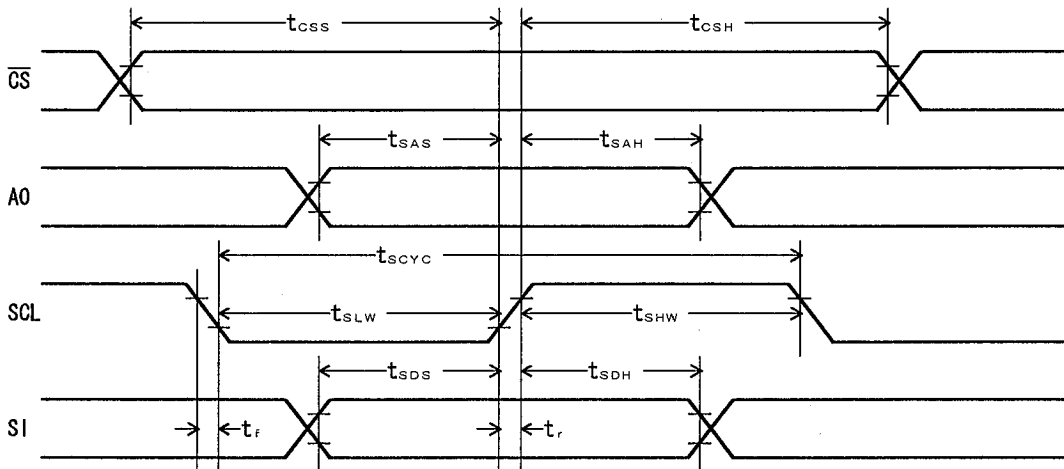
| PARAMETER | | SYMBOL | MIN | MAX | CONDITION | UNIT |
|----------------------|---|------------|-----|-----|-----------|------|
| Address Hold Time | A0, \overline{CS} , R/W Terminals | t_{AH6} | 25 | | CL=100pF | ns |
| Address Set Up Time | | t_{AW6} | 25 | | | |
| System Cycle Time | | t_{CYC6} | 450 | | | |
| Enable Pulse Width | E Terminal | t_{EW} | 200 | | | |
| | | | 50 | | | |
| Data Set Up Time | D ₀ ~D ₇ Terminals | t_{DS6} | 120 | | | |
| Data Hold Time | | t_{DH6} | 40 | | | |
| Access Time | | t_{ACC6} | | 140 | | |
| Output Disable Time | | t_{OH6} | 0 | 45 | | |
| Rise Time, Fall Time | A0, \overline{CS} , R/W E, D ₀ ~D ₇ Terminals | t_r, t_f | | 15 | | |

Note 18) t_{CYC6} indicates the E signal cycle during the CS activation period. The System Cycle Time must be required after CS becomes active.

Note 19) Rise time(t_r) and fall time(t_f) of input signal should be less than 15ns.

Note 20) Each timing is specified based on $0.2 \times V_{DD}$ and $0.8 \times V_{DD}$.

• Read/Write operation sequence (Serial Interface)



($V_{DD}=5.0V \pm 10\%$, $T_a=-20 \sim 75^\circ C$)

| PARAMETER | SYMBOL | MIN | MAX | CONDITION | UNIT |
|---------------------------|------------|-----|-----|-----------|------|
| Serial Clock cycle | t_{SCYC} | 500 | | | ns |
| SCL "H" pulse width | t_{SHW} | 150 | | | |
| SCL "L" pulse width | t_{SLW} | 150 | | | |
| Address Set Up Time | t_{SAS} | 120 | | | |
| Address Hold Time | t_{SAH} | 200 | | | |
| Data Set Up Time | t_{SDS} | 120 | | | |
| Data hold Time | t_{SDH} | 50 | | | |
| \overline{CS} -SCL Time | t_{CSS} | 30 | | | |
| | t_{CSH} | 400 | | | |
| Rise Time, Fall Time | t_r, t_f | | 15 | | |

($V_{DD}=2.7V \sim 4.5V$, $T_a=-20 \sim 75^\circ C$)

| PARAMETER | SYMBOL | MIN | MAX | CONDITION | UNIT |
|---------------------------|------------|------|-----|-----------|------|
| Serial Clock cycle | t_{SCYC} | 1000 | | | ns |
| SCL "H" pulse width | t_{SHW} | 300 | | | |
| SCL "L" pulse width | t_{SLW} | 300 | | | |
| Address Set Up Time | t_{SAS} | 250 | | | |
| Address Hold Time | t_{SAH} | 400 | | | |
| Data Set Up Time | t_{SDS} | 250 | | | |
| Data hold Time | t_{SDH} | 100 | | | |
| \overline{CS} -SCL Time | t_{CSS} | 60 | | | |
| | t_{CSH} | 800 | | | |
| Rise Time, Fall Time | t_r, t_f | | 15 | | |

Note 21) Rise time(t_r) and fall time(t_f) of input signal should be less than 15ns.

Note 22) Each timing is specified based on $0.2 \times V_{DD}$ and $0.8 \times V_{DD}$.

■ LCD DRIVING WAVEFORM

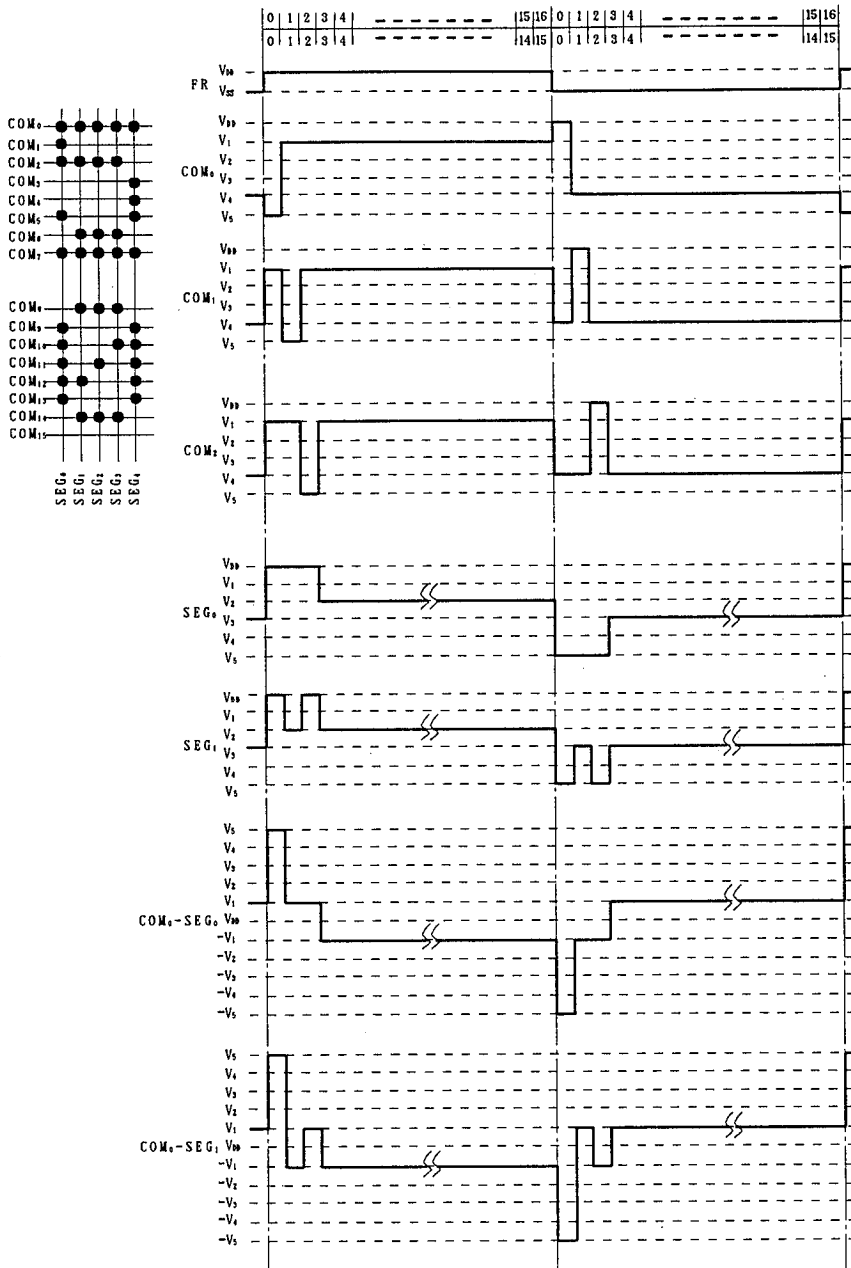


Fig. 8

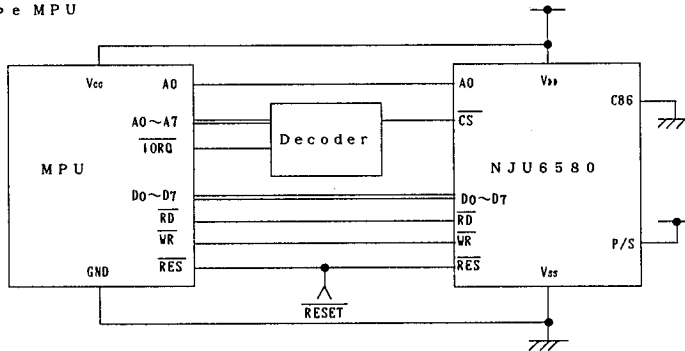
APPLICATION CIRCUIT

(1) Microprocessor Interface Examples

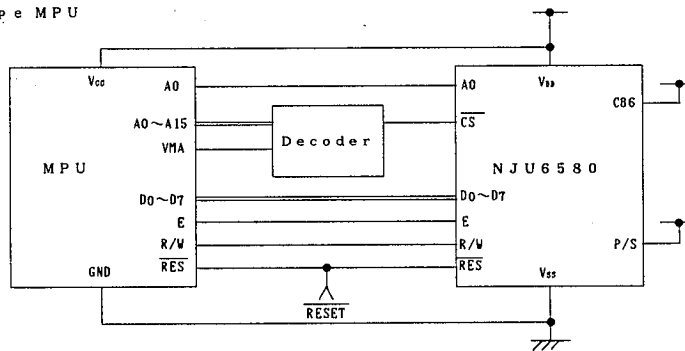
The NJU6580 can interface with both of 80 type and 68 type MPU by the serial format directly. Therefore minimum wiring for the MPU interface is available.

※ : C86 terminal must be fixed V_{DD} or V_{SS} .

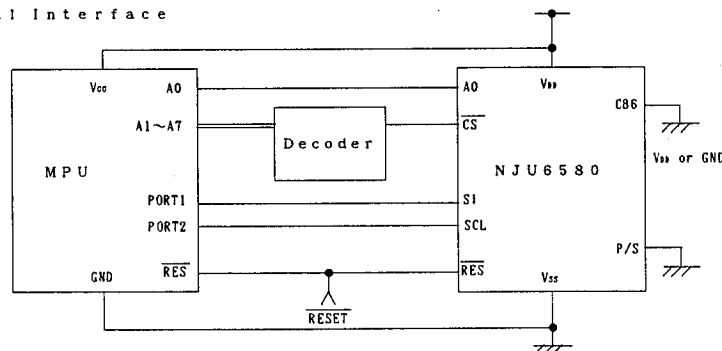
● 80 Type MPU



● 68 Type MPU



● Serial Interface



MEMO

[CAUTION]

The specifications on this databook are only given for information, without any guarantee as regards either mistakes or omissions. The application circuits in this databook are described only to show representative usages of the product and not intended for the guarantee or permission of any right including the industrial rights.