

DESCRIPTION

The M57182N-416 is an un-insulated type DC-DC converter designed for direct input of rectified voltage from 200V AC.

This hybrid IC provides +16V/300mA with fewer external components such as electrolytic capacitors and choke coils only.

FEATURES

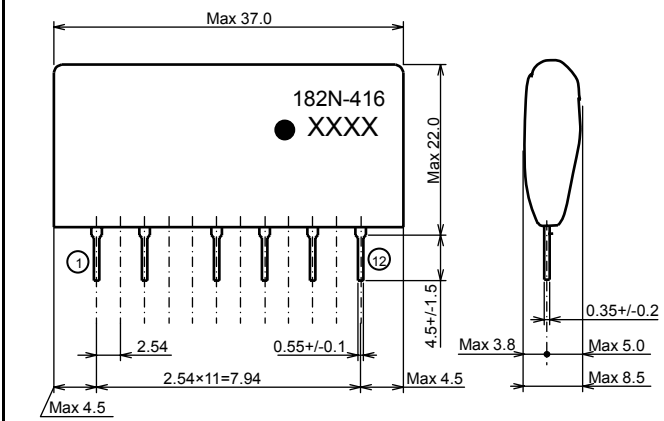
- Input voltage rage DC 180V ~ 450V
- Output specifications 16V, 300mA

APPLICATIONS

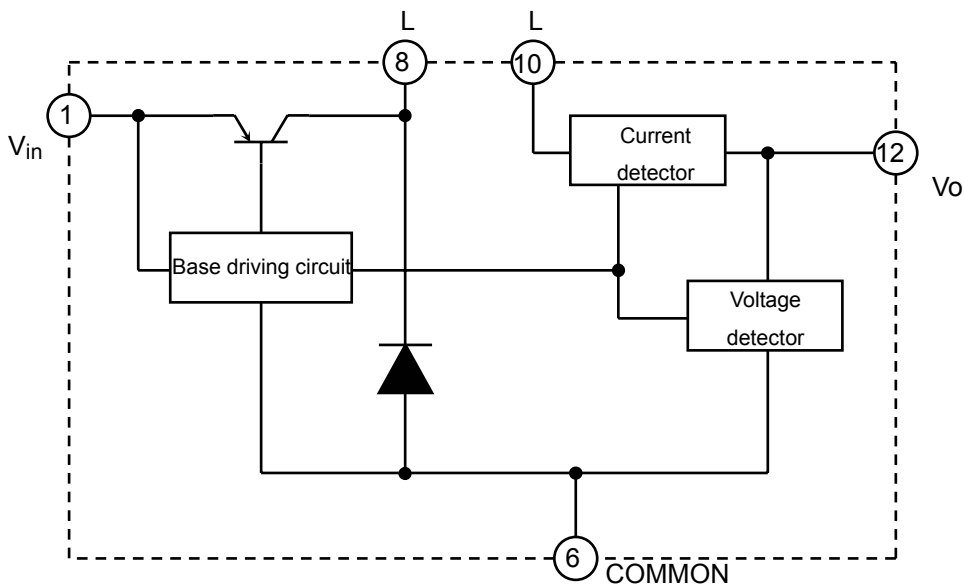
Best suited to power supply for DIP-IPM drive used for home electronics etc.

OUTLINE DRAWING

Dimensions: mm



BLOCK DIAGRAM

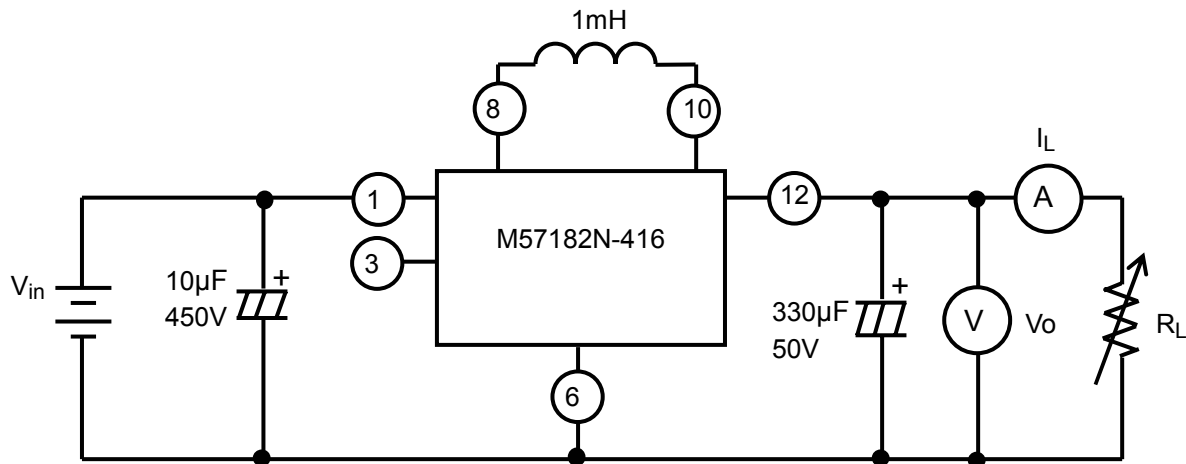


MAXIMUM RATINGS (unless otherwise noted, $T_a=25^{\circ}\text{C}$)

Symbol	Parameter	Conditions	Ratings	Unit
V_{in}	Input voltage	—	550	V
I_L	Load current	—	300	mA
T_{opr}	Operating temperature	No condensation	-10 ~ +80	$^{\circ}\text{C}$
T_{stg}	Storage temperature	—	-25 ~ +105	$^{\circ}\text{C}$

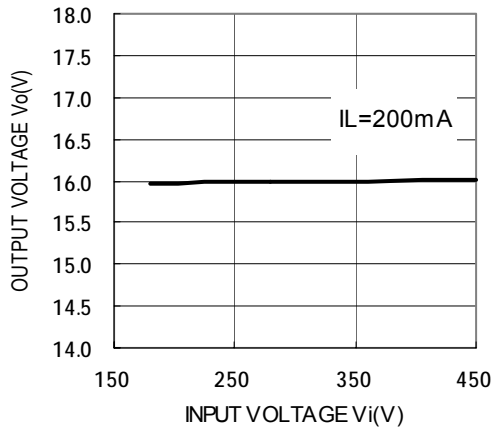
ELECTRICAL CHARACTERISTICS (Unless otherwise noted, $T_a=25^{\circ}\text{C}$, $V_{in} = 280\text{V}$)

Symbol	Parameter	Conditions	Limits			Unit
			Min	Typ	Max	
V_{in}	Input voltage	Recommended range	180	280	450	V
V_O	Output voltage	$I_L = 0 \sim 300\text{mA}$	15.2	16.0	16.8	V
Reg_I	Input regulation	$I_L = 200\text{mA}$, $V_{in} = 180 \sim 450\text{V}$	-	150	300	mV
Reg_L	Load regulation	$I_L = 0 \sim 300\text{mA}$	-	100	200	mV
η	Efficiency	$I_L = 200\text{mA}$	65	72	-	%
V_{P-P}	Ripple voltage	$I_L = 200\text{mA}$	-	50	100	mV

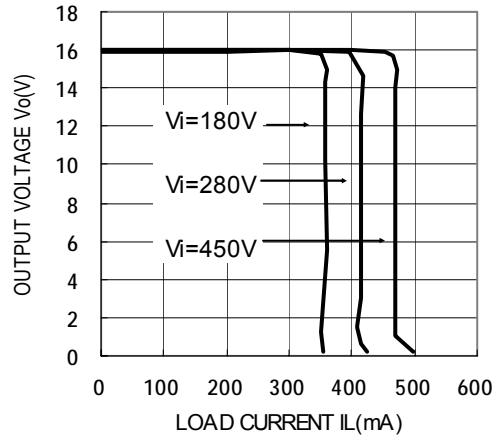
MEASUREMENT CIRCUIT

TYPICAL CHARACTERISTICS

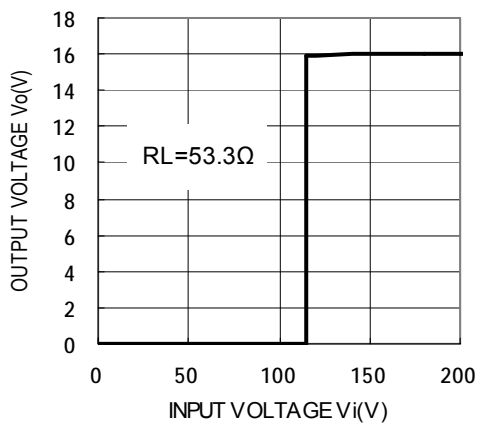
OUTPUT VOLTAGE - INPUT VOLTAGE CHARACTERISTICS(TYPICAL)



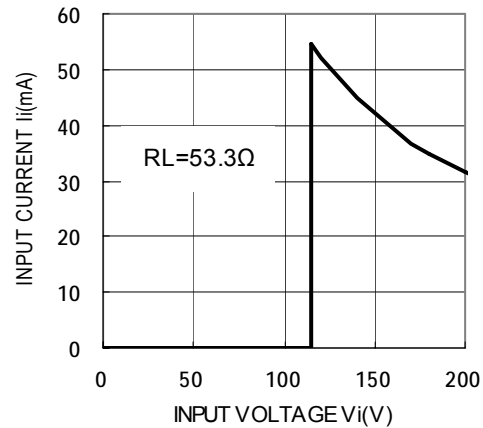
OUTPUT VOLTAGE - LOAD CURRENT CHARACTERISTICS(TYPICAL)



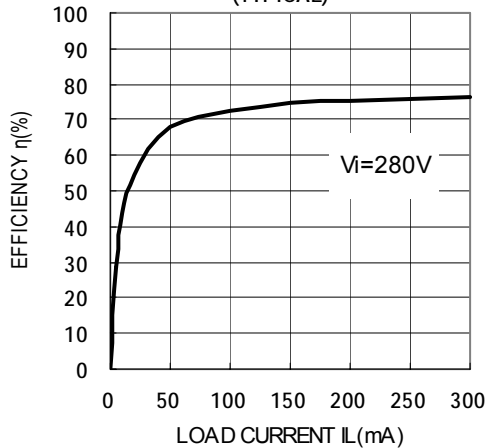
START-UP CHARACTERISTICS - 1 (TYPICAL)



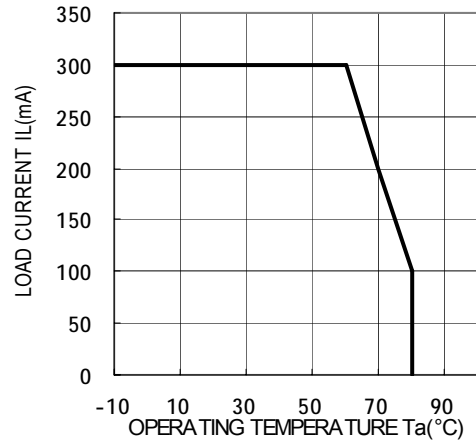
START-UP CHARACTERISTICS - 2 (TYPICAL)



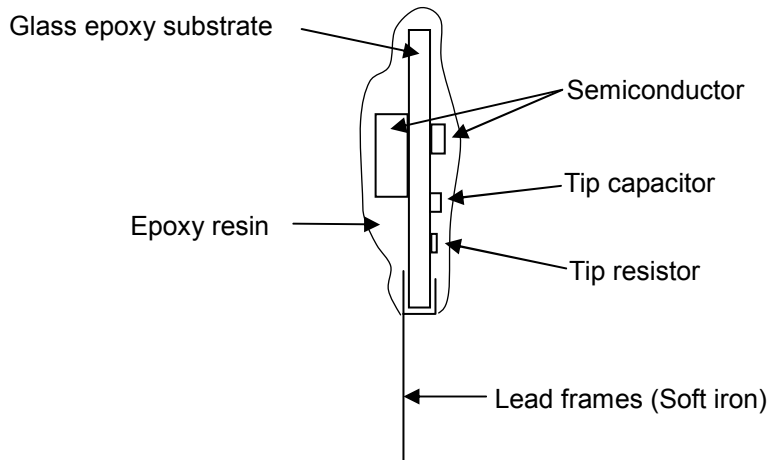
EFFICIENCY - LOAD CURRENT (TYPICAL)



DERATING CURVE



INTERNAL STRUCTURE FIGURE



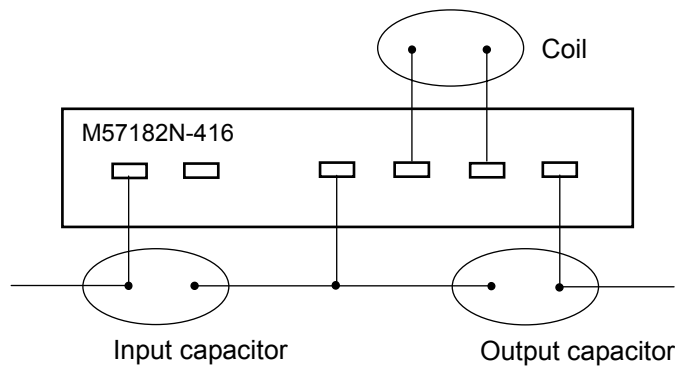
THE CAUTIONS ON USE

1. About an over-current and a load short circuit

Although this hybrid IC has prepared protection circuit for an over-current, please use a fuse, taking the safety of a product into consideration.

2. About parts placement

Please place input/output capacitors near this hybrid IC. And Place a coil on the opposite side of capacitors as follows



3. The capacitor for smoothing output voltage

Please use electrolytic capacitor of output side with low impedance.

4. Coil

Please use power inductors with good performance of DC superimposition.

(We used C13 – FR –102: made in MITSUMI ELECTRIC CO., LTD.)

FOR SAFETY USING

Great detail and careful attention are given to the production activity of Hics, such as the development, the quality of production, and in its reliability. However the reliability of Hics depends not only on their own factors but also in their condition of usage. When handling Hics, please note the following cautions.

CAUTIONS	
Packing	<p>The materials used in packing Hics can only withstand normal external conditions. When exposed to outside shocks, rain and certain environmental contaminants, the packing materials will deteriorates. Please take care in handling.</p>
Carrying	<ol style="list-style-type: none"> 1) Don't stack boxes too high. Avoid placing heavy materials on boxes. 2) Boxes must be positioned correctly during transportation to avoid breakage. 3) Don't throw or drop boxes. 4) Keep boxes dry. Avoid rain or snow. 5) Minimal vibration and shock during transportation is desirable.
Storage	<p>When storing Hics, please observe the following notices or possible deterioration of their electrical characteristics, risk of solderability, and external damage may occur.</p> <ol style="list-style-type: none"> 1) Devices must be stored where fluctuation of temperature and humidity is minimal, and must not be exposed to direct sunlight. Store at the normal temperature of 5 to 30 degrees Celsius with humidity at 40 to 60%. 2) Avoid locations where corrosive gasses are generated or where much dust accumulates. 3) Storage cases must be static proof. 4) Avoid putting weight on boxes.
Extended storage	<p>When extended storage is necessary, Hics must be kept non-processed. When using Hics which have been stored for more than one year or under severe conditions, be sure to check that the exterior is free from flaw and other damages.</p>
Maximum ratings	<p>To prevent any electrical damages, use Hics within the maximum ratings. The temperaqture, current, voltage, etc. must not exceed these conditions.</p>
Polarity	<p>To protect Hics from destruction and deterioration due to wrong insertion, make sure of polarity in inserting leads into the board holes, conforming to the external view for the terminal arrangement.</p>



Marketing division, Marketing planning department

6-41 Tsukuba, Isahaya, Nagasaki, 854-0065 Japan

Keep safety first in your circuit designs!

- ISAHAYA Electronics Corporation puts the maximum effort into making semiconductor products better and more reliable, but there is always the possibility that trouble may occur with them. Trouble with semiconductors may lead to personal injury, fire or property damage. Remember to give due consideration to safety when making your circuit designs, with appropriate measures such as (1)placement of substitutive, auxiliary circuits, (2)use of non-flammable material or (3)prevention against any malfunction or mishap.

Notes regarding these materials

- These materials are intended as a reference to assist our customers in the selection of the ISAHAYA products best suited to the customer's application; they don't convey any license under any intellectual property rights, or any other rights, belonging ISAHAYA or a third party.
- ISAHAYA Electronics Corporation assumes no responsibility for any damage, or infringement of any third party's rights, originating in the use of any product data, diagrams, charts or circuit application examples contained in these materials.
- All information contained in these materials, including product data, diagrams and charts, represent information on products at the time of publication of these materials, and are subject to change by ISAHAYA Electronics Coporation without notice due to product improvements or other reasons. It is therefore recommended that customers contact ISAHAYA Electronics Corporation or an authorized ISAHAYA products distributor for the latest product infomation before purchasing product listed herein.
- ISAHAYA Electronics Corporation products are not designed or manufactured for use in a device or system that is used under circumstances in which human life is potentially at stake. Please contact ISAHAYA electronics corporation or an authorized ISAHAYA products distributor when considering the use of a product contained herein for any specific purposes, such as apparatus or systems for transportation, vehicular, medical, aerospace, nuclear, or undersea repeater use.
- The prior written approval of ISAHAYA Electronics Corporation is necessary to reprint or reproduce in whole or in part these materials.
- If these products or technologies are subject to the Japanese export control restrictions, they must be exported under a lisencc from the Japanese government and cannot be imported into a country other than the approved destination. Any diversion or reexport contrary to the export control laws and regulations of Japan and/or the country of destination is prohibited.
- Please contact ISAHAYA Electronics Corporation or an authorized ISAHAYA products distributor for further details on these materials or the products contained therein.