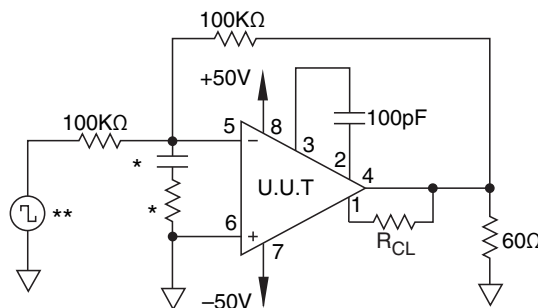


PA241M

SG	PARAMETER	SYMBOL	TEMP.	POWER	TEST CONDITIONS	MIN	MAX	UNITS
1	Quiescent Current	I_O	25°C	±150V	$V_{IN} = 0, A_V = 100$		2.5	mA
1	Input Offset Voltage	V_{OS}	25°C	±150V	$V_{IN} = 0, A_V = 100$		30	mV
1	Input Offset Voltage	V_{OS}	25°C	±50V	$V_{IN} = 0, A_V = 100$		36.4	mV
1	Input Offset Voltage	V_{OS}	25°C	±175V	$V_{IN} = 0, A_V = 100$		31.6	mV
1	Input Bias Current, +IN	$+I_B$	25°C	±150V	$V_{IN} = 0$		50	pA
1	Input Bias Current, -IN	$-I_B$	25°C	±150V	$V_{IN} = 0$		50	pA
1	Input Offset Current	I_{OS}	25°C	±150V	$V_{IN} = 0$		50	pA
3	Quiescent Current	I_O	-40°C	±150V	$V_{IN} = 0, A_V = 100$		2.5	mA
3	Input Offset Voltage	V_{OS}	-40°C	±150V	$V_{IN} = 0, A_V = 100$		60	mV
3	Input Offset Voltage	V_{OS}	-40°C	±50V	$V_{IN} = 0, A_V = 100$		60	mV
3	Input Bias Current, +IN	$+I_B$	-40°C	±150V	$V_{IN} = 0$		50	pA
3	Input Bias Current, -IN	$-I_B$	-40°C	±150V	$V_{IN} = 0$		50	pA
3	Input Offset Current	I_{OS}	-40°C	±150V	$V_{IN} = 0$		50	pA
2	Quiescent Current	I_O	125°C	±150V	$V_{IN} = 0, A_V = 100$		3	mA
2	Input Offset Voltage	V_{OS}	125°C	±150V	$V_{IN} = 0, A_V = 100$		36.5	mV
2	Input Offset Voltage	V_{OS}	125°C	±50V	$V_{IN} = 0, A_V = 100$		42.9	mV
2	Input Offset Voltage	V_{OS}	125°C	±175V	$V_{IN} = 0, A_V = 100$		38.1	mV
2	Input Bias Current, +IN	$+I_B$	125°C	±150V	$V_{IN} = 0$		50	nA
2	Input Bias Current, -IN	$-I_B$	125°C	±150V	$V_{IN} = 0$		50	nA
2	Input Offset Current	I_{OS}	125°C	±150V	$V_{IN} = 0$		50	nA
4	Output Voltage, $I_O = 40mA$	V_O	25°C	±52V	$R_L = 1K$	40		V
4	Current Limits	I_{CL}	25°C	±30V	$R_L = 100\Omega$	50	125	mA
4	Stability/Noise	E_N	25°C	±150V	$R_L = 5K, A_V = 1, C_L = 10nF, C_C = 68pF$		10	mVrms
4	Slew Rate	SR	25°C	±150V	$R_L = 5K, C_C = 6.8pF$	5		V/ μ s
4	Open Loop Gain	A_{OL}	25°C	±150V	$R_L = 5K, F = 15Hz$	90		dB
4	Common Mode Rejection	CMR	25°C	±102V	$R_L = 5K, F = DC, V_{CM} = \pm 90V$	84		dB
6	Output Voltage, $I_O = 40mA$	V_O	-40°C	±52V	$R_L = 1K$	40		V
6	Slew Rate	SR	-40°C	±150V	$R_L = 5K, C_C = 6.8pF$	5		V/ μ s
6	Open Loop Gain	A_{OL}	-40°C	±150V	$R_L = 5K, F = 15Hz$	90		dB
6	Common Mode Rejection	CMR	-40°C	±102V	$R_L = 5K, F = DC, V_{CM} = \pm 90V$	80		dB
5	Output Voltage, $I_O = 30mA$	V_O	125°C	±50V	$R_L = 1K$	30		V
5	Slew Rate	SR	125°C	±150V	$R_L = 5K, C_C = 6.8pF$	5		V/ μ s
5	Open Loop Gain	A_{OL}	125°C	±150V	$R_L = 5K, F = 15Hz$	90		dB
5	Common Mode Rejection	CMR	125°C	±102V	$R_L = 5K, F = DC, V_{CM} = \pm 90V$	80		dB

The PA241M is available ONLY in the CE (8-pin TO-3) package style.

BURN IN CIRCUIT



* These components are used to stabilize device due to poor high frequency characteristics of burn in board.

** Internal power dissipation of approximately 2.1W at case temperature = 125°C.