

Programmable Point-of-Load Controller with 6-bit VID

Description

The PI1004 IC combines a Voltage Identification Digital Input (VID) controlled reference with control and supervisory functions to accurately set the regulator output voltage at the point of load, for isolated and CPU DC-DC converters in desktop and server applications. The PI1004 feature set is intended to be used in conjunction with a variety of power architectures, including Factorized Power Architecture (FPA), to provide CPU power in accordance with Intel® VR10.X requirements. The feature set includes a precision error amplifier for remote differential sensing of the output voltage, a six bit programmable VID reference voltage output with 12.5 mV resolution, and flexible adaptive voltage positioning. The regulation voltage can also be shifted below the VID range with a programmable offset current. The controller includes an over-voltage indicator output, an open collector power-good output, under-voltage lockout and an externally programmable soft start.

The PI1004 is available in two options; **PI1004-1**: Programmable VID offset current and no OVP output. The VID offset current is used to create an offset to the DAC output. **PI1004-2**: OVP output and no VID offset.

Features

- 0.5% Typical initial output voltage accuracy
- Remote differential output voltage sense
- 6 Bit DAC, with 12.5 mV resolution
- 5 V to 12 V Operation
- Power good output with blanking
- Programmable adaptive voltage positioning (AVP)
- Over voltage protection (OVP) output or programmable VID offset
- Programmable soft start
- Optimized for VRM/VRD 10.X specifications
- 20 MHz Gain bandwidth amplifier
- Enable input

Applications

- Supports FPA
- Intel® VR10.X CPU Power
- Workstation CPU Power
- Isolated DC-DC Converters

Package

- 24-Lead (4mm x 4mm) QFN

Typical Circuit

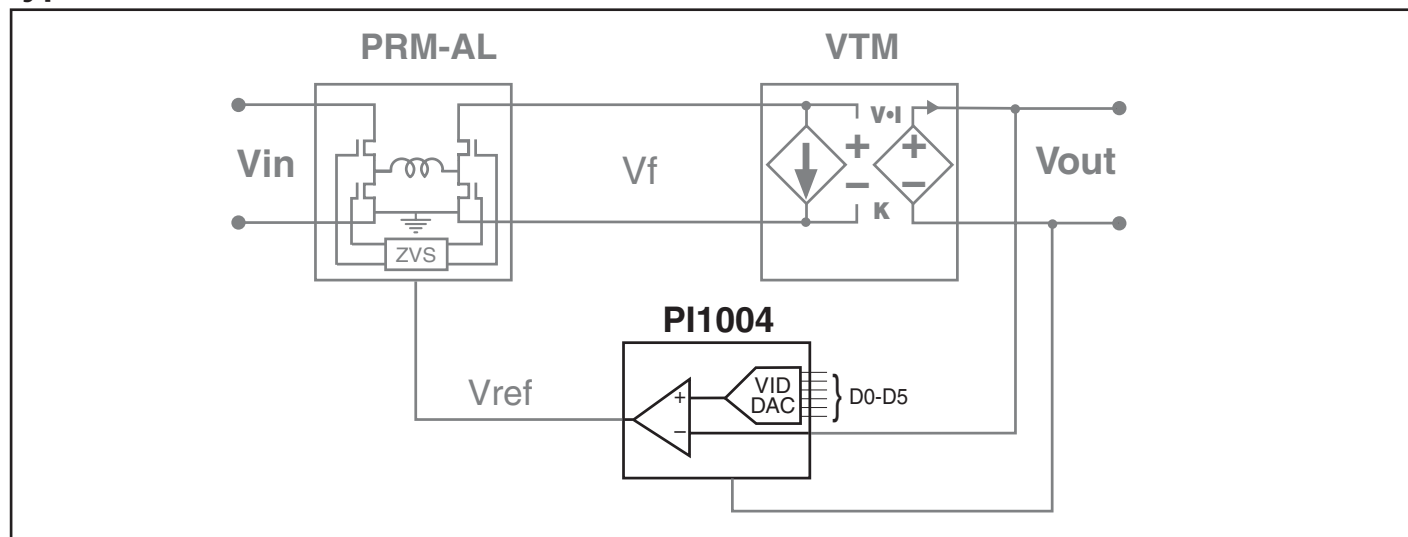


Figure 1 - Basic connection in FPA application.

Pin Description

PIN #	Pin Name	Description
1- 6	VID[0:5]	Voltage identification digital inputs. The VID inputs program the reference voltage on the REFOUT pin. Tying all VID pins high is treated as a fault and sets the fault latch. To hardwire the VID code, the inputs may be connected to Vcc or SGND as applicable. See Table 1 for VID codes.
7	PWRGD	Power-good open-collector output. This pin is an open circuit when $(\text{REFIN}-230 \text{ mV}) \leq \text{VO} \leq (\text{REFIN}+160 \text{ mV})$ and the input bus voltage is not in a UVLO condition. When VO is outside the VO window, $(\text{REFIN}-230 \text{ mV}) < \text{VO} < (\text{REFIN}+160 \text{ mV})$ or the input bus voltage is in a UVLO condition, or if the ENABLE is low, the PWRGD output is low.
8	OFFSET	PI1004-1 only. Provides a programmable VID offset current. A current equal to the current out of the OFFSET pin is added to IAVP to provide a fixed negative offset. To program the offset connect a resistor between OFFSET and SGND. The current is nominally equal to $0.25 \text{ V} / \text{ROFFSET}$. Not used tie to Vcc.
8	OVP	PI1004-2 only. Over-voltage protection signal, TTL output. When $\text{VO} \geq (\text{REFIN}+220 \text{ mV})$ and the input bus voltage is not in a UVLO condition and ENABLE is high, OVP is high. When $\text{VO} < (\text{REFIN}+220 \text{ mV})$ or the input bus voltage is in a UVLO condition, or ENABLE is low, OVP is low.
9	ENABLE	Logic input control of biasing. If ENABLE = low the PI1004 is disabled and quiescent current is reduced to <400 uA. If ENABLE = high the PI1004 is enabled and the part operates normally if Vcc > UVLO.
10	SS	Soft start programming terminal. The error amp non-inverting input (EAIP) is clamped below the level of the SS pin. An internal 5uA charging current is provided to program soft start with an external capacitor. Soft start pin is discharged and held low with ENABLE low, UVLO, or VID=x11111. To control soft-start connect a capacitor between the SS pin and SGND.
11	VO	Output voltage positive sense signal used for the power good and over-voltage protection circuits. Connect directly to the output or if feedback divider is employed, connect to the output through a voltage divider with the same ratio as the feedback divider.
12	ISN	Load current negative sense terminal. Connect ISN to the negative side of the sense resistor. If AVP is not used, tie ISN to SGND.
13	ISP	Load current positive sense terminal. Connect ISP to the positive side of the sense resistor to detect load current for AVP. If AVP is not used, tie ISP to SGND.
14	RG	Adaptive voltage positioning gain resistor connection. The sink current from the IAVP pin is: $\text{IAVP} = 4 * [\text{V}(\text{ISP}) - \text{V}(\text{ISN})] / \text{RG}$. If AVP is not used, tie RG to Vcc.
15	IAVP	Adaptive voltage positioning sink current. This pin sinks current proportional to the load. Connect to the EAIP pin with an AVP resistor (RAVP) tied from EAIP to REFOUT. The regulator output voltage will drop with increasing load. If AVP is not used, connect IAVP to Vcc.
16	REFIN	Reference input voltage for the over-voltage protection and power good indicators. Normally REFIN is tied to REFOUT.
17	EAIP	Non-inverting input to the error amplifier. If AVP and offset are not used, connect EAIP to REFOUT. To use AVP connect directly to IAVP and to REFOUT through a resistor.
18	EAIN	Inverting input to the error amplifier. Connect EAIN to the positive remote output voltage sense point through the feedback network. Run in parallel to the SGND connection to avoid noise pick-up.
19	EAO	Error amplifier output terminal.
20	REFOUT	Reference output voltage as defined by the VID codes in Table 1. The reference is capable of sourcing up to 1 mA of current. In a typical CPU application REFOUT is connected to REFIN to set the thresholds for Power Good and to EAIP through a resistor to enable Adaptive Voltage Positioning.
21	VCC	Internal circuit supply. Bypass Vcc to SGND with a 0.1 μF capacitor.
22	SGND	Internal substrate connection and negative output voltage sense terminal. Connect to the negative remote output voltage sense point and run in parallel with the positive sense line to avoid noise pick-up.
23,24	NC	No connect. Post package programming pin.

Absolute Maximum Ratings

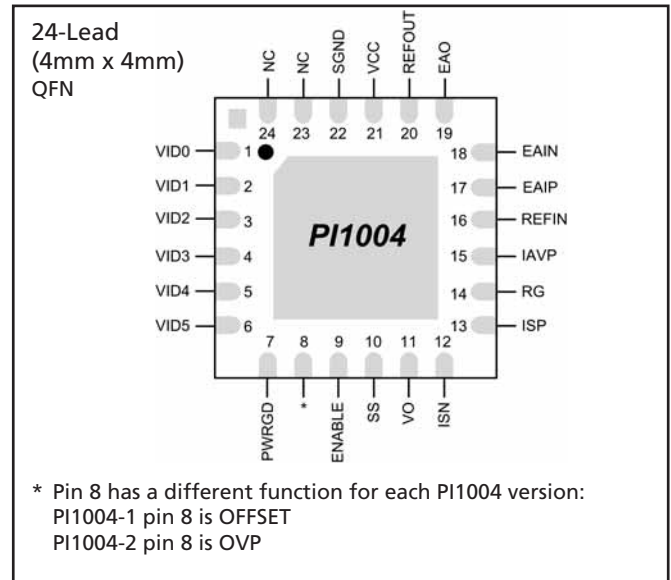
These are stress ratings only and functional operation of the device at these ratings is not implied. Exposure to absolute maximum rating conditions for extended periods of time may affect reliability.

V_{CC}, EAO.....-0.3 V to 16 V / 20 mA
 OVP-0.3 V to 16 V / 10 mA
 VID5:0, ENABLE, SS, ISN, ISP, RG, IAVP, EAIP,
 EAIN, REFOUT, OFFSET.....-0.3 V to 16 V / 1 mA
 PWRGD,-0.3 V to 5.5 V / 10 mA
 REFIN, VO,.....-0.3 V to 5.5 V / 1 mA
 SGND.....20 mA
 Storage Temperature-65 °C to 150 °C
 ESD Sensitivity Class Rating.....1 C
 Soldering Temp. IR or Convection (20 sec)³ pg 15.....250 °C

Electrical Specifications

Unless otherwise specified: -40°C < T_j < 125 °C, 4.5V < V_{CC} < 13.2V

Package Connection Diagram



PARAMETER	MIN	TYP	MAX	UNIT	CONDITIONS
SUPPLY SYSTEM					
Operating current		5	7	mA	Enable > 0.8 V, V _{CC} =9 V
Shutdown current		160	400	µA	Enable < 0.3 V
Input supply range (V _{CC})	4.5		13.2	V	
UV start threshold (V _{CC})	4.1	4.3	4.5	V	
UV stop threshold (V _{CC})	4.0	4.2	4.4	V	
UV hysteresis	30	130	200	mV	
VID REFERENCE					
System set point accuracy (See Table 1 for nominal voltage.)	-0.8		+0.8	%	0°C ≤ T _A ≤ 70°C, V _{CC} =8.5 V For all VID codes, measured at EAO in unity gain
Line regulation	-0.05		0.05	% / V	0°C ≤ T _A ≤ 70°C
REFOUT drive capability			1	mA	
Input logic low			0.4	V	
Input logic high	0.8			V	
VID input bias current		0.1		µA	
ERROR AMPLIFIER					
Open loop gain	80	110		dB	EAIP = 1.25 V
Unity gain bandwidth		20		MHz	
Output slew rate		14		V/µsec	30 pF load
Error amp source current	4	9		mA	
Error amp sink current	250	500		µA	
Input bias current		0.6	2	µA	
Input offset current		60		nA	
Input offset voltage	-3		3	mV	Unity Gain. EAIP = 1.25 V
Common mode input range	-0.05		V _{CC} - 2	V	
Output voltage range	0.5		V _{CC} - 1.6	V	
CMRR		80		dB	
PSRR		80		dB	

Electrical Specifications *(continued)*

PARAMETER	MIN	TYP	MAX	UNITS	CONDITIONS
POWER GOOD OUTPUT (see Note1)					
Under-voltage trip threshold	-280	-230	-185	mV	0°C ≤ T _A ≤ 70°C
Under-voltage clear threshold	-185	-150	-100	mV	0°C ≤ T _A ≤ 70°C
Under-voltage hysteresis	-100	- 80	-50	mV	0°C ≤ T _A ≤ 70°C
Over-voltage trip threshold	125	160	+185	mV	0°C ≤ T _A ≤ 70°C
Over-voltage clear threshold	75	110	+135	mV	0°C ≤ T _A ≤ 70°C
Over-voltage hysteresis	35	50	80	mV	0°C ≤ T _A ≤ 70°C
Output low			0.4	V	I _{PWRGD} = 4 mA (Enabled) I _{PWRGD} = 250 μA (Disabled)
PWRGD blanking TIME	50	100	300	μsec	
ENABLE INPUT					
Logic low threshold			0.3	V	
Logic high threshold	0.8			V	0°C ≤ T _A ≤ 70°C
Open circuit voltage			1.8	V	
Input pull-up current		2		μA	
OVP CIRCUIT (PI1004-2 only) (see Note1)					
Over-voltage trip threshold	180	220	250	mV	0°C ≤ T _A ≤ 70°C
Over-voltage clear threshold	120	150	180	mV	0°C ≤ T _A ≤ 70°C
Over-voltage hysteresis	40	70	100	mV	0°C ≤ T _A ≤ 70°C
OVP logic high	2.5	3.5	4.5	V	I _{ovp} = -2 mA
OVP logic high current	2	4.5		mA	
OVP logic low			0.4	V	I _{ovp} = 0.5 mA
OVP response time		0.5		μsec	
VO pin input current		0.25	0.6	μA	
REFIN pin input current		0.25	0.6	μA	
SOFT START CIRCUIT					
SS charge current	3	5	7	μA	0°C ≤ T _A ≤ 70°C
SS discharge current	0.2	0.7		mA	
SS clamp voltage	2.3	2.6	2.9	V	
SS reset voltage	0.2	0.25	0.3	V	
SS discharge voltage			0.1	V	
AVP CIRCUIT					
Common mode input voltage range	-0.05		0.4	V	
Differential input voltage range	0		135	mV	
AVP current sink range			200	μA	
IAPV transconductance	0.97	1.00	1.03	mS	R _G =4 kΩ, I _{SP} = 135 mV I _{SN} = 0V
IAPV headroom	0.2			V	
Input bias current, I _{SP} , I _{SN}			5	μA	
Programmable VID OFFSET (PI1004-1 only)					
OFFSET output voltage	240	250	260	mV	R _{OFFSET} = 10 kΩ
OFFSET to IAPV headroom	0.2			V	

Note 1: Power good and overvoltage inputs are referenced to VO-REFIN

VID Pins (0 = low, 1 = high)						(EAO) ¹		VID Pins (0 = low, 1 = high)						(EAO) ¹
VID5	VID4	VID3	VID2	VID1	VID0			VID5	VID4	VID3	VID2	VID1	VID0	
0	0	1	0	1	0	0.8375		0	1	1	0	1	0	1.2125
1	0	1	0	0	1	0.8500		1	1	1	0	0	1	1.2250
0	0	1	0	0	1	0.8625		0	1	1	0	0	1	1.2375
1	0	1	0	0	0	0.8750		1	1	1	0	0	0	1.2500
0	0	1	0	0	0	0.8875		0	1	1	0	0	0	1.2625
1	0	0	1	1	1	0.9000		1	1	0	1	1	1	1.2750
0	0	0	1	1	1	0.9125		0	1	0	1	1	1	1.2875
1	0	0	1	1	0	0.9250		1	1	0	1	1	0	1.3000
0	0	0	1	1	0	0.9375		0	1	0	1	1	0	1.3125
1	0	0	1	0	1	0.9500		1	1	0	1	0	1	1.3250
0	0	0	1	0	1	0.9625		0	1	0	1	0	1	1.3375
1	0	0	1	0	0	0.9750		1	1	0	1	0	0	1.3500
0	0	0	1	0	0	0.9875		0	1	0	1	0	0	1.3625
1	0	0	0	1	1	1.0000		1	1	0	0	1	1	1.3750
0	0	0	0	1	1	1.0125		0	1	0	0	1	1	1.3875
1	0	0	0	1	0	1.0250		1	1	0	0	1	0	1.4000
0	0	0	0	1	0	1.0375		0	1	0	0	1	0	1.4125
1	0	0	0	0	1	1.0500		1	1	0	0	0	1	1.4250
0	0	0	0	0	1	1.0625		0	1	0	0	0	1	1.4375
1	0	0	0	0	0	1.0750		1	1	0	0	0	0	1.4500
0	0	0	0	0	0	1.0875		0	1	0	0	0	0	1.4625
1	1	1	1	1	1	OFF ²		1	0	1	1	1	1	1.4750
0	1	1	1	1	1	OFF ²		0	0	1	1	1	1	1.4875
1	1	1	1	1	0	1.1000		1	0	1	1	1	0	1.5000
0	1	1	1	1	0	1.1125		0	0	1	1	1	0	1.5125
1	1	1	1	0	1	1.1250		1	0	1	1	0	1	1.5250
0	1	1	1	0	1	1.1375		0	0	1	1	0	1	1.5375
1	1	1	1	0	0	1.1500		1	0	1	1	0	0	1.5500
0	1	1	1	0	0	1.1625		0	0	1	1	0	0	1.5625
1	1	1	0	1	1	1.1750		1	0	1	0	1	1	1.5750
0	1	1	0	1	1	1.1875		0	0	1	0	1	1	1.5875
1	1	1	0	1	0	1.2000		1	0	1	0	1	0	1.6000

Table 1. Voltage Identification

Table 1 NOTES:

1. (EAO) is equal to the maximum output voltage specified by the Intel design guide, *Voltage Regulator-Down (VRD) 10.0*, February 2004.
2. EAO is held low during VID OFF codes.

Functional Description

The block diagram in Figure 2 shows that the PI1004-1 has a programmed VID offset function and no OVP function. Figure 3 shows the PI1004-2 with the OVP function in place of the VID offset. Unless otherwise stated please refer to Figure 2 and application diagram Figure 4a for the following description.

Voltage identification and Reference Out

The REFOUT output pin provides a scaled temperature stable reference voltage (see temperature curves in figure 15) that is incremented by the VID input state decoding and DAC (digital to analog converter) function. The 6 bit DAC provides a minimum increment resolution of 12.5mV. The VR10.X VID code accuracy shown in Table 1 is measured at the output of the error amp in the unity gain buffer configuration.

REFOUT will be determined by VID[5:0] according to the Intel VR10.X Voltage Identification Table. In a typical CPU application using AVP (Adaptive Voltage Positioning) REFIN is tied directly to REFOUT and EAIP is tied to REFOUT through a resistor for AVP adjustment. VID = x1111 is treated as a fault and sets the Fault Latch function that will be explained further in the other sections.

Current Sensing and AVP

Pins ISN and ISP form the input to a differential voltage sense amplifier that can be used for current sensing and adaptive voltage positioning (AVP). The amplifier has a narrow common mode input range for ground reference voltages.

The AVP amplifier has a fixed gain of 4 to amplify the voltage across a sense resistor that is representative of the load current. The output voltage of the amplifier is fed to a unity gain buffer and impressed across the external RG resistor converting the voltage to a current that is reflected as a sink current at the IAVP pin 15.

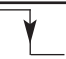


The PI-1004-1 has a second voltage to current converter to create the OFFSET function with a fixed reference voltage of 250mV that is impressed across an external ROFFSET resistor. This voltage to current conversion reflects a fixed sink current at the IAVP pin. The sum of these two currents flows through the external resistor, RAVP when connected as shown in figure 4a completing the adaptive and offset functions. The control error amplifier input voltage will be dependent on the reference determined by the VID input state, minus any programmed offset voltage, minus the AVP correction for load setting the slope of the load line.

The IAVP pin is set up to provide a current proportional to the load current. Various load lines can be selected by choosing values of the output current shunt resistor, RG and the resistor between REFOUT and EAIP (RAVP) for the proper droop. The value of the current shunt should be chosen for a voltage drop of 135mV or slightly lower at full load.

Differential Output Voltage Sense

The core control error amplifier has two non-inverting inputs to accommodate a soft start feature. With the proper non-faulted conditions the soft-start charging current of 5uA will be sourced out of the SS pin to an external capacitor. This feature provides the ability to control the rate of rise in the output voltage up to the point of regulation. The fault conditions are defined in the fault circuitry section and listed in Table 2. If a fault condition exits the internal sink transistor will hold the SS pin to the signal ground potential. Recovery from any of the fault conditions will result in a full soft-start interval.

The lower of the two non-inverting inputs of the error amplifier will dominate. When all faults are cleared the SS input provides the dominant ramping input voltage until it exceeds the EAIP reference. The SS input continues to ramp to the soft-start clamp voltage while the EAIP

ENABLE	INPUTS			OUTPUTS				
	UVLO	VID[5:0]		OVP	PWRGD	REFOUT	EAO	SS
L	X	X		L	L (Limited drive)	L	L	L
H	H	X		L	L	≤ VID	L	L
H		VID Valid		Active	Active	VID		
H	L	VID Valid		Active	Active	VID	Active	H
H	L	X11111		Active	Active	VID	L	L

ENABLE Low = Off UVLO High = VCC is low OVP High = Fault PWRGD Low = Fault VID = See VID Table 1

Table 2. I/O Functional States

Applications Description

becomes the control reference. The amplifier EAIN inverting input and the EAO output pin can be configured as a unity gain follower or as an inverting amplifier with the proper feedback components to set the close loop gain and frequency response of the voltage control loop.

Differential sensing is accomplished by referencing the entire PI1004 to the negative return of the load (typically CPUVSS). The SGND pin serves a dual purpose of returning the PI1004 VCC current and sensing the low side of the load. The internal reference "rides" on SGND to compensate for voltage changes at the load. Special care must be taken in the layout to avoid noise pick-up or offsets due to ground loop currents.

Fault Circuitry

There are three input conditions that will set the fault latch determined by ENABLE, VIDOFF or UVLO states as shown in Table 2. Any fault will clamp the non-inverting error amp input (EAIP) and SS pin to SGND. The fault latch is reset when the SS pin drops below 0.25 V AND all faults are cleared at the Set dominant latch input.

Power Good and Over-Voltage Protection

The PWRGD and OVP (OVP in PI1004-2 only) pins provide output signals when the output voltage exceeds internally set thresholds. The inputs to the PWRGD and OVP comparators are referenced to REFIN and VO. The PWRGD and OVP signals are outputs for system use and do not trigger an internal fault.

Programmable VID Offset

REFOUT is set to the VR10 maximum output voltage according to Table 1. For PI1004-1, the no-load VID output voltage can be reduced to accommodate various load line tolerance bands with the OFFSET function. Once the value of RAVP has been chosen for the desired load line, ROFFSET can be selected for the required no-load offset. Refer to Figure 4d to determine resistor values setting the AVP and Offset parameters.

Figures 5-10 demonstrate some of the dynamic performance of these functions such as AVP response time, REFOUT response to VID change, VID blanking interval, error amplifier unity gain slew rate and soft-start response to stepped Vcc in that order. Figures 11-14 demonstrate typical DAC error performance at specific temperatures and Figure 15 demonstrates the VID performance from -55 to 125 degrees Celsius at VID=1.2V.

The PI1004 products were developed to enable Vicor's FPA (Factorized Power Architecture) to meet Intel's requirements defined in VRM/VRD 10.X specifications. A simplified schematic representation of this topology is shown in Figure 4a. DC Performance data of this configuration using the PI1004-1 is shown in Figures 16-17 and dynamic performance is shown in Figures 18a-g, 19a-b and 20.

In addition to FPA applications, independent functions of the PI1004 can be used in different combinations as building blocks in control applications.

The PI-1004 can be used as a VID controlled reference in an embedded power converter circuit. The PI1004 error amp can be configured as a unity gain buffer to provide the VRD capable reference to the non-inverting input to the control amp. If AVP is required, a method for sensing the load current would need to be implemented.

In isolated applications as shown in Figure 4b, the reference and error amplifier might replace a TL431 (Vcc power is required for the PI1004) while the PWRGD, OVP and AVP blocks replace a quad comparator. The PI1004 is a candidate for any application that uses a reference and several amplifiers or comparators especially where digital or hard-wire setting of voltages can be accommodated.

The IC can be used as a programmable reference control for a converter or power supply with a positive reference based trim configuration as shown in Figure 4c. For these applications a programmable output voltage and over-voltage features can be created using the error amp as a buffer creating a VR10 reference for the SC/trim input of the converter. Care must be taken not to exceed the amplifier output sink and source current capabilities and to be compatible with the converter reference pin.

The AVP block of circuits can be used to create two independent voltage to current converters providing a sink current that is the sum of the two at the IAVP pin. Again consideration of the specified range for these functions is required.

Finally the Power Good block can be used as basic comparators for voltage monitoring with the addition of an independent output on the OVP pin in the PI1004-2

An additional bit of resolution can be added to the DAC by using the circuit shown in Figure 4d with proper sequencing by the microprocessor 6.25 mV increments are possible.

Block Diagrams

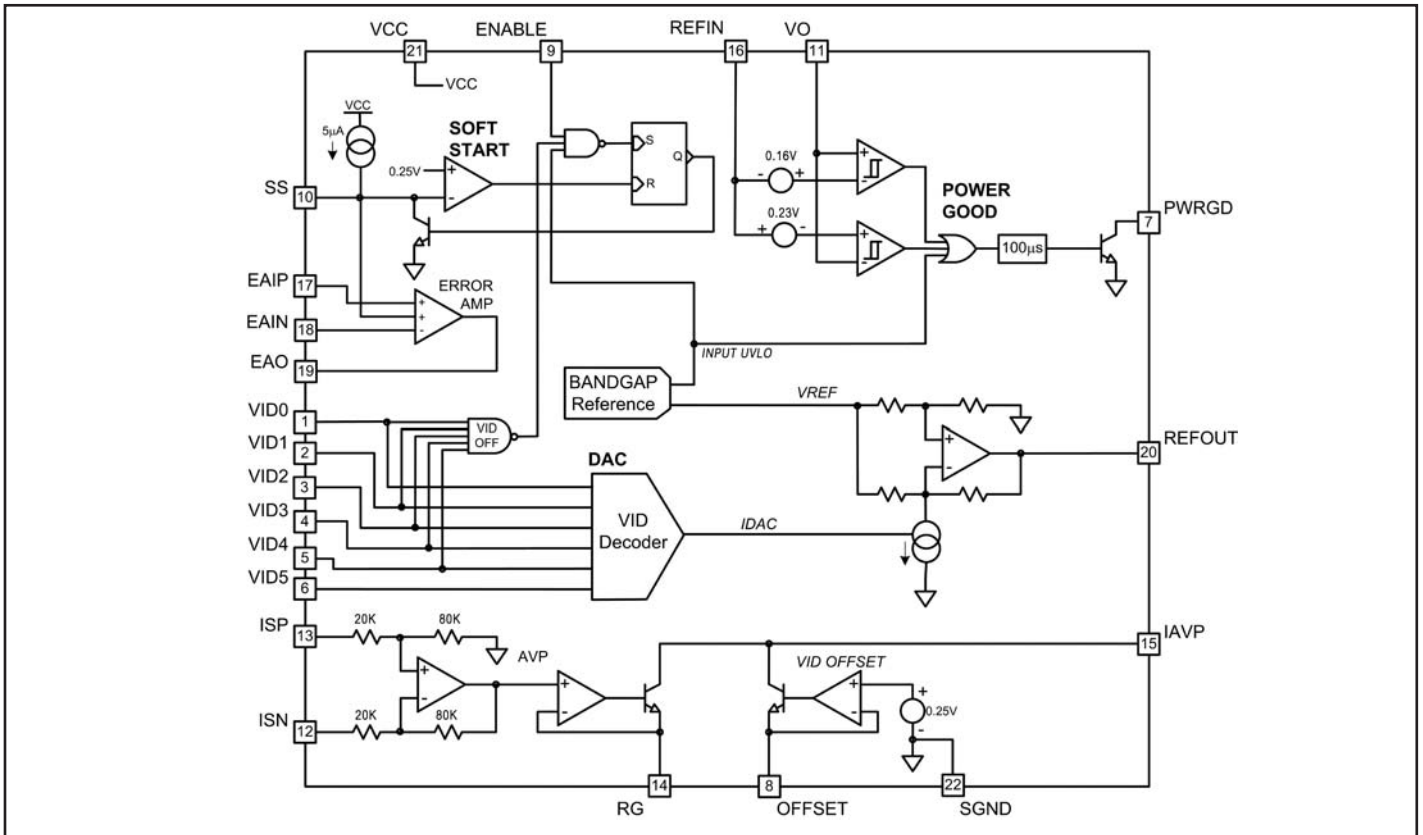


Figure 2 - PI1004-1 Programmable VID offset current

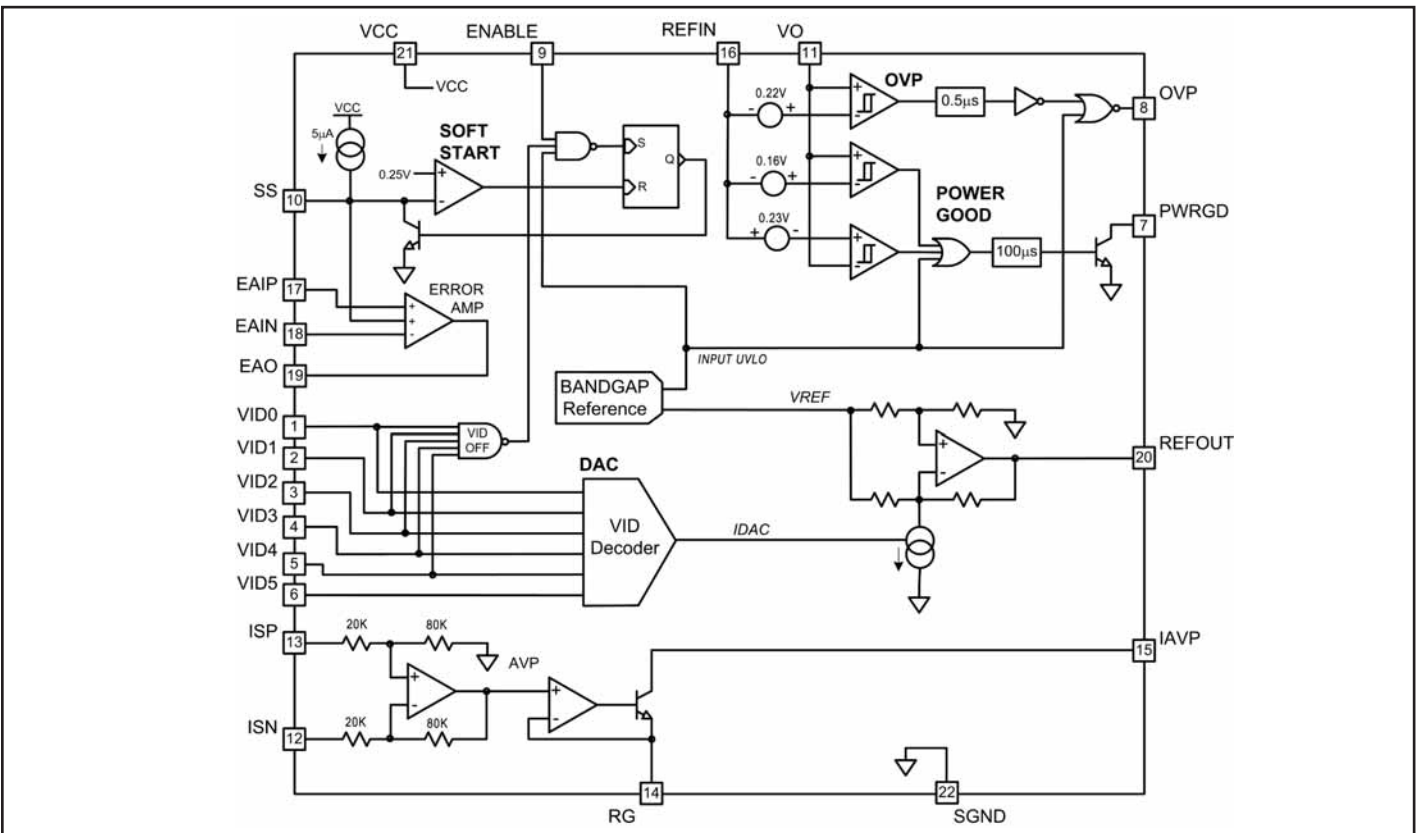


Figure 3 - PI1004-2 Over voltage protection output

Application Diagrams

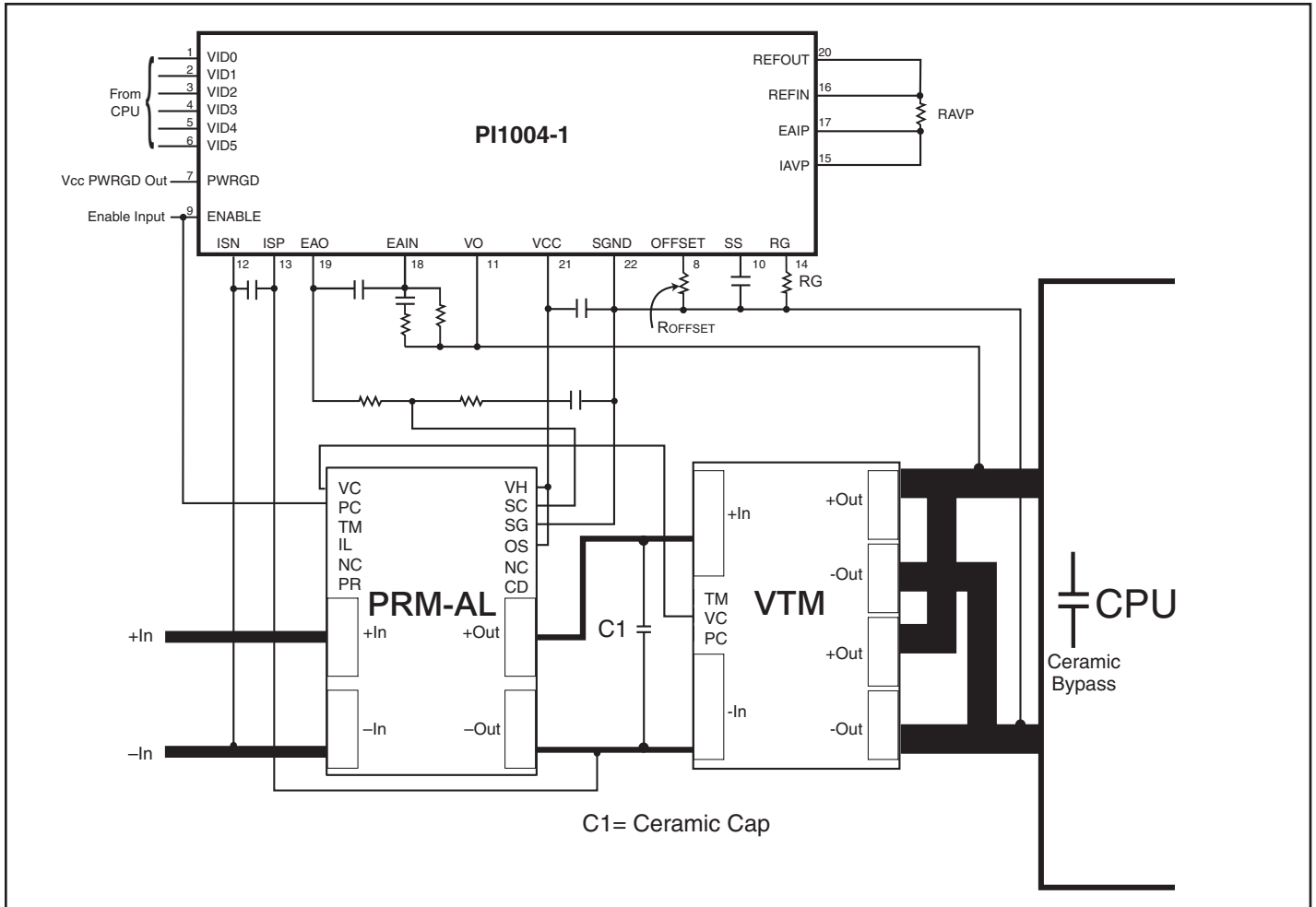


Figure 4a - Simplified FPA CPU VRD10.0 power application.

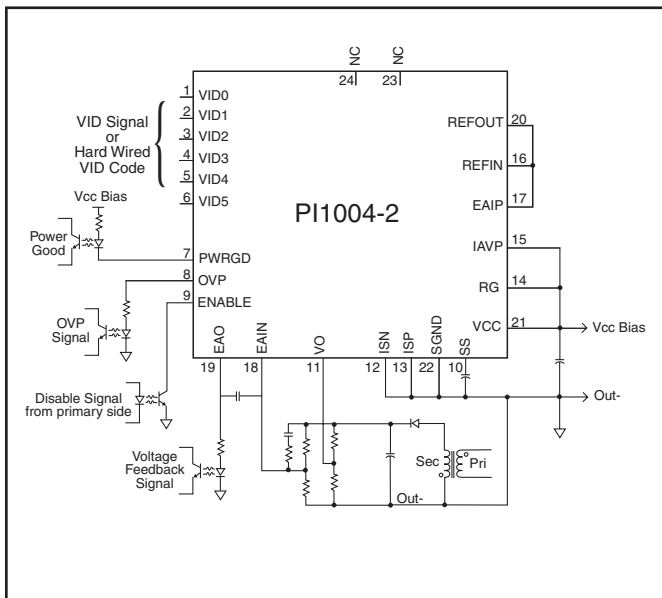


Figure 4b - Embedded Isolated Power Converter Application using the PI1004-2.

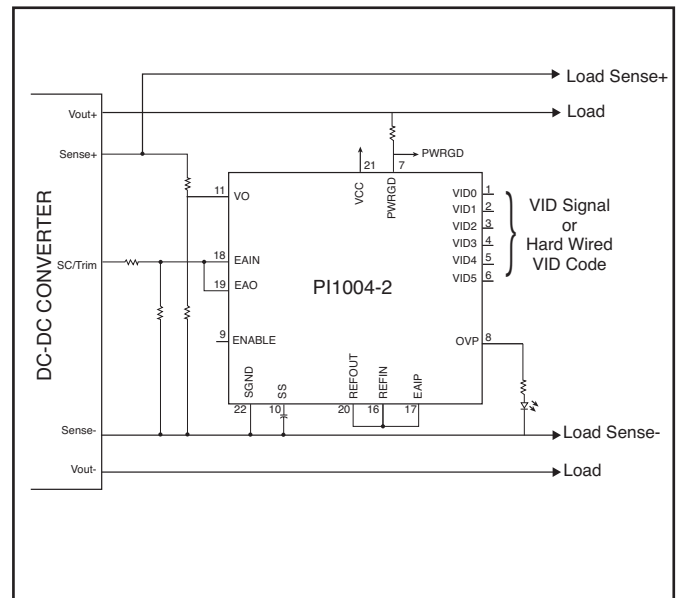


Figure 4c - Power Brick or Converter Application using the PI1004-2.

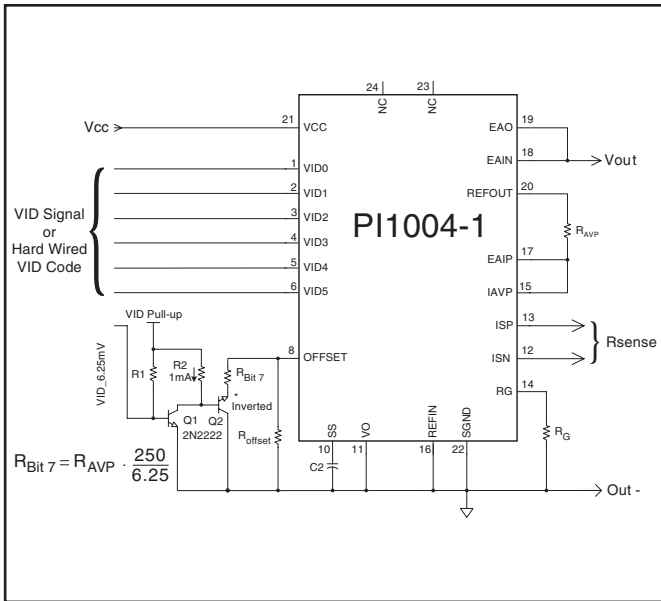


Figure 4d - Application circuit using the AVP and Offset features of the PI1004-1 plus optional 7 Bit resolution.

Note: Inverted forced Beta of Q2

$$\beta_1 = \frac{I_E}{I_B} \leq 0.01$$

Example

$$I_{EQ2} = 10\mu A \quad I_B = \frac{10\mu A}{0.01} = 1mA$$

$$R_2 = \frac{VID_{pullup} - 0.6V}{I_B}$$

$$R_1 = 10 \cdot R_2$$

Component value selection for AVP, Offset and 7 Bit resolution

- Select AVP droop voltage at full load
- Select I_{AVP} droop current at full load (200μA max)
- Select current sense input voltage at maximum load (V_{ISP} – V_{ISN})
- Select V_{Offset} voltage level to center DAC voltage
- Add VID6 (seven bit) resolution Q1, Q2 circuit

Example

$$\Delta V_{DROOP} = 100mV$$

$$I_{AVP} = 100\mu A$$

$$V_{SENSE} = 120mV$$

$$V_{OFFSET} = 25mV$$

$$1. \quad R_{AVP} = \frac{\Delta V_{droop}}{I_{AVP}} = \frac{100mV}{100\mu A} = 1K\Omega$$

$$2. \quad R_G = \frac{4 \cdot V_{Sense}}{I_{AVP}} = \frac{4 \cdot 120mV}{100\mu A} = 4.8K\Omega$$

$$3. \quad R_{Offset} = \frac{250mV \cdot R_{AVP}}{V_{Offset}} = \frac{250mV \cdot 1K\Omega}{25mV} = 10K\Omega$$

$$4. \quad R_{Bit7} = \frac{250mV}{6.25mV} \cdot R_{AVP} = \frac{250mV}{6.25mV} \cdot 1K\Omega = 40K\Omega$$

$$5. \quad I_{EQ2} = \frac{250mV}{R_{Bit7}} = \frac{250mV}{40K\Omega} = 6.25\mu A \quad \text{See R1 and R2 Note above.}$$

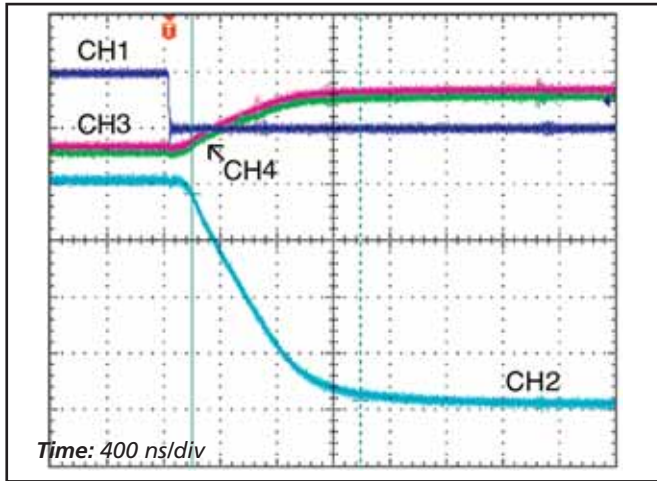


Figure 5 - Error Amp Output (EAO) and Adaptive Voltage Positioning (AVP) response to negative step. Error amp unity gain. ISN grounded, RAVP=1 K, RG=4 K
 CH1: ISP 200 mV/div CH3: EAO 200 mV/div
 CH2: RG 200 mV/div CH4: EAIP 200 mV/div

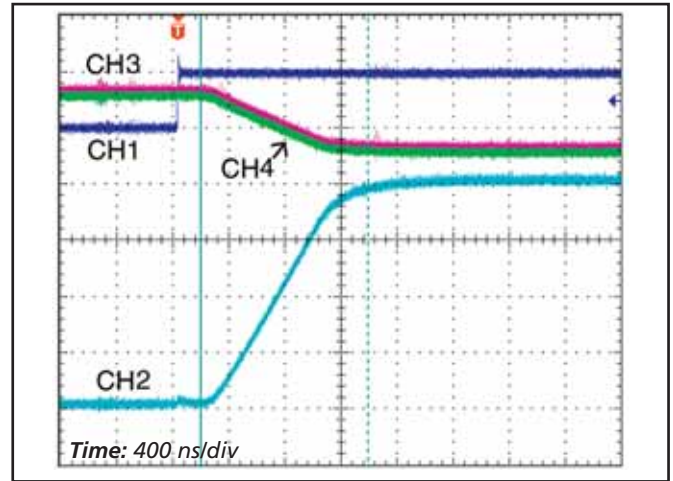


Figure 6 - Error Amp Output (EAO) and Adaptive Voltage Positioning (AVP) response to positive step. Error amp unity gain. ISN grounded, RAVP=1 K, RG=4 K
 CH1: ISP 200 mV/div CH3: EAO 200 mV/div
 CH2: RG 200 mV/div CH4: EAIP 200 mV/div

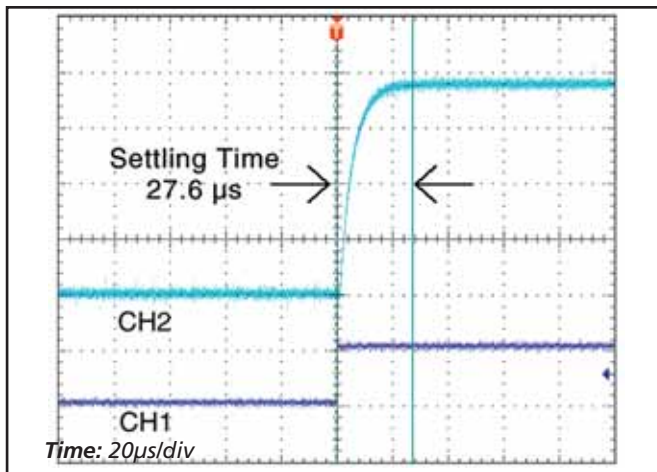


Figure 7 - REFOUT settling time
 CH1: VID4, 5 V/div
 CH2: REFOUT; 100 mV/div

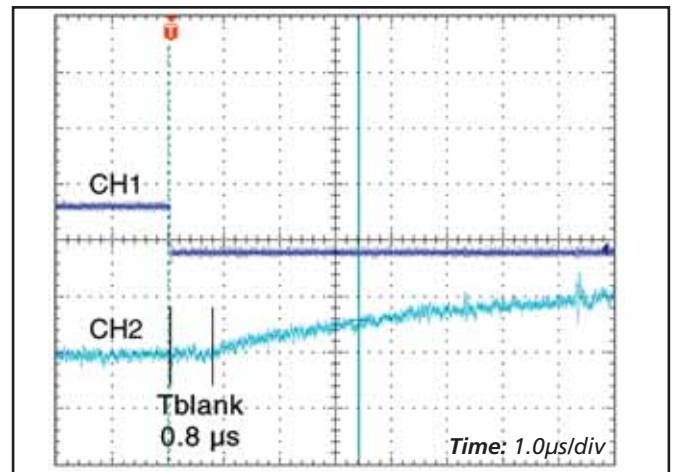


Figure 8 - REFOUT blanking time
 CH1: VID5, 5 V/div
 CH2: REFOUT; 100 mV/div

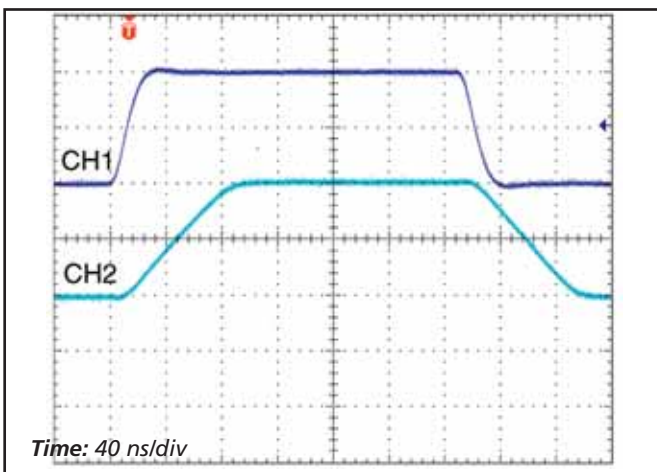


Figure 9 - Unity Gain Error Amp slew rate
 CH1: EAIP; 500 mV/div
 CH2: EAO; 500 mV/div

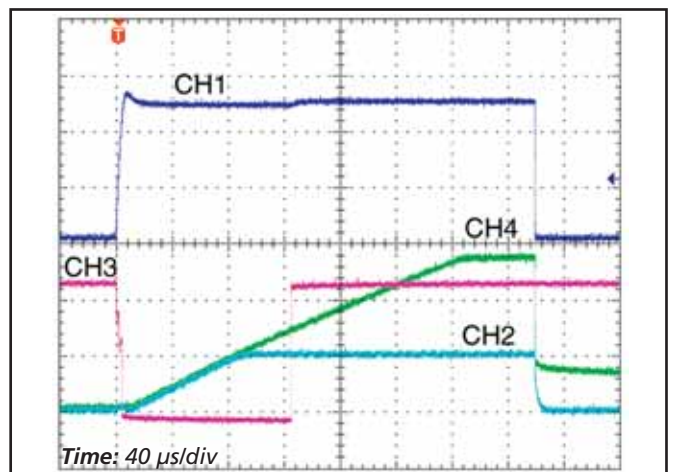


Figure 10 - Startup, Fast VCC RAMP
 CH1: VCC; 2 V/div CH3: PWRGD; 2 V/div
 CH2: EAO; 1 V/div CH4: SS; 1 V/div

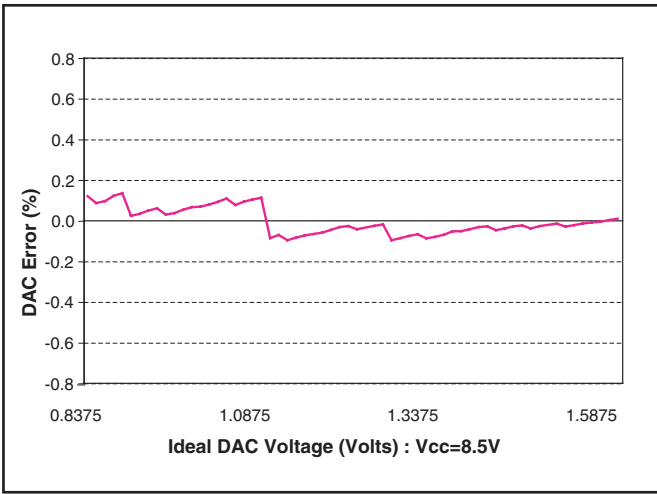


Figure 11 - DAC Error at 0°C

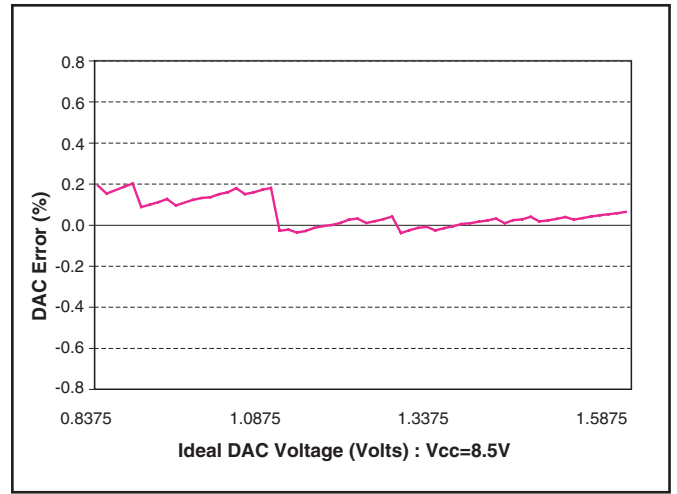


Figure 12 - DAC Error at 30°C

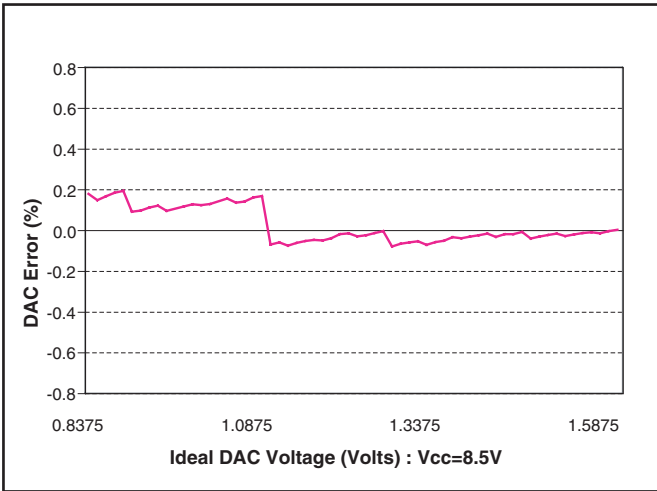


Figure 13 - DAC Error at 70°C

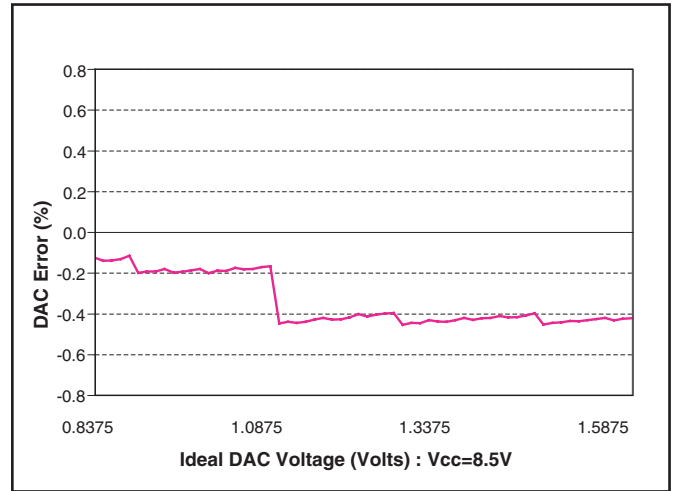


Figure 14 - DAC Error at 125°C

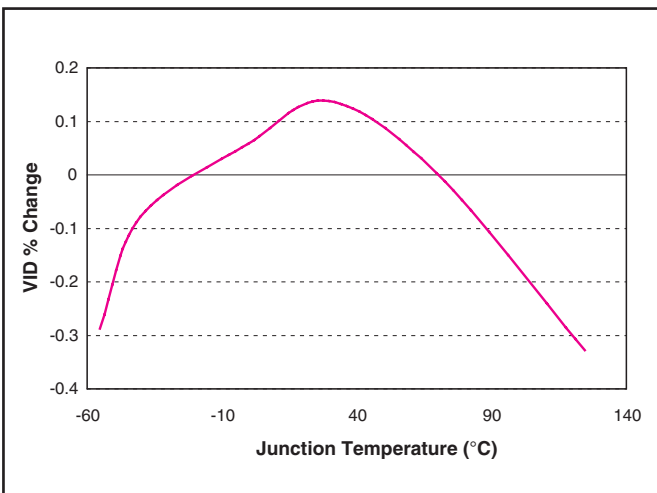


Figure 15 - Typical VID temperature performance @ VID = 111010 = 1.2 V

Application Measurements Using Fig. 4a

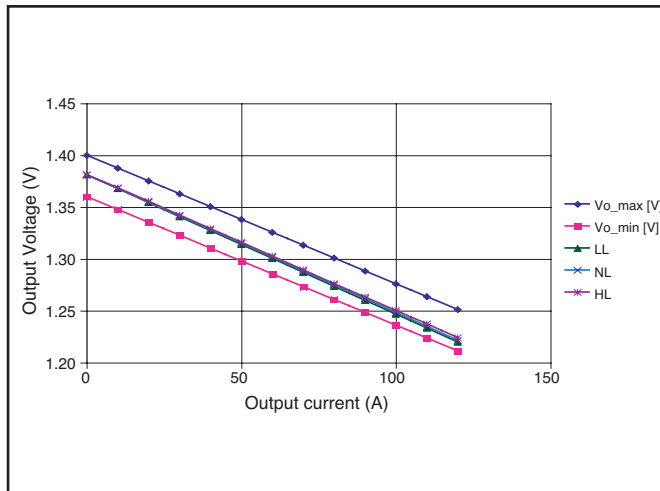


Figure 16 - Load Line Performance; V_{in} : 10.2/12.0/13.8 V, V_{out} : 1.4 V, T_a : Room temp

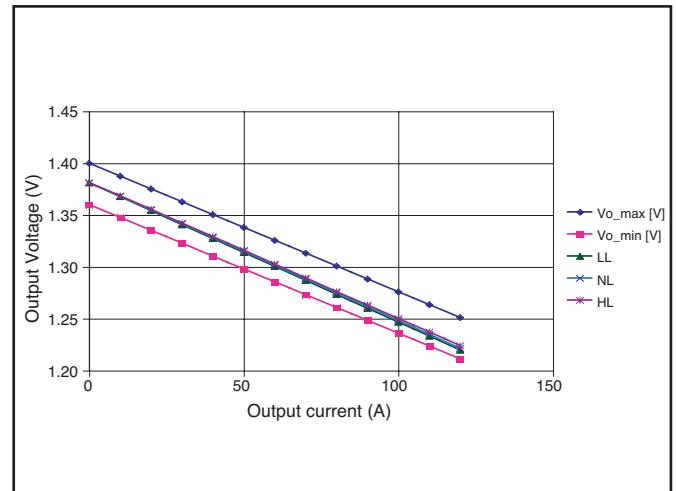


Figure 17 - Load Line Performance; V_{in} : 10.2/12.0/13.8 V, V_{out} : 1.4 V, T_j : 100°C

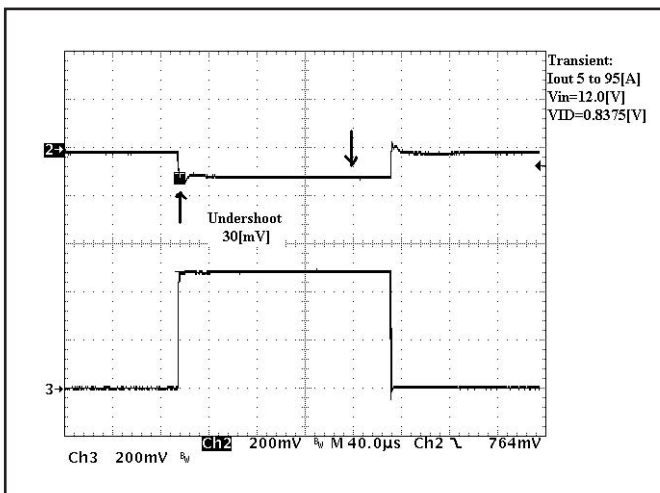


Figure 18a - Transient Load Response 5 A-95 A-5 A $VID=0.8375$ $Load=240 \mu F$

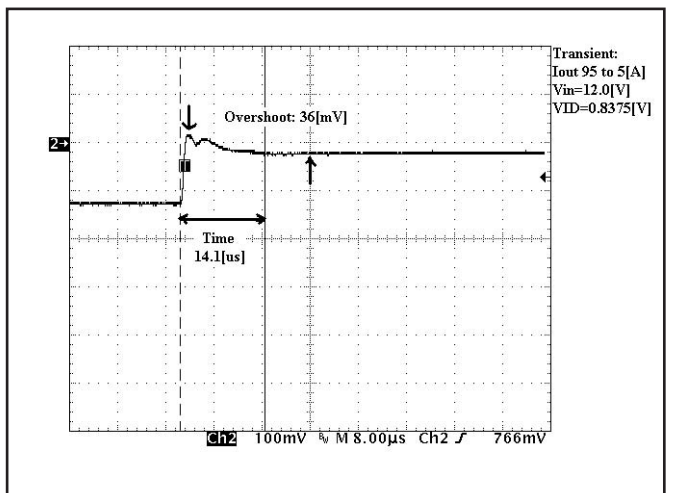


Figure 18b - Transient Load Response 95 A-5 A $VID=0.8375$ $Load=240 \mu F$

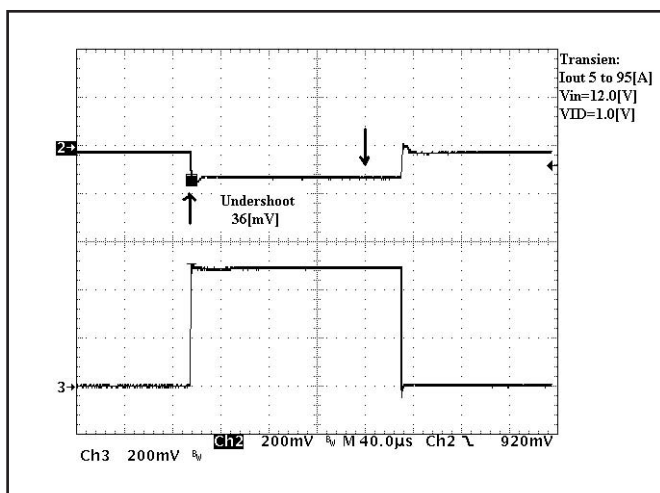


Figure 18c - Transient Load Response 5 A-95 A-5 A $VID=1.0$ $Load=240 \mu F$

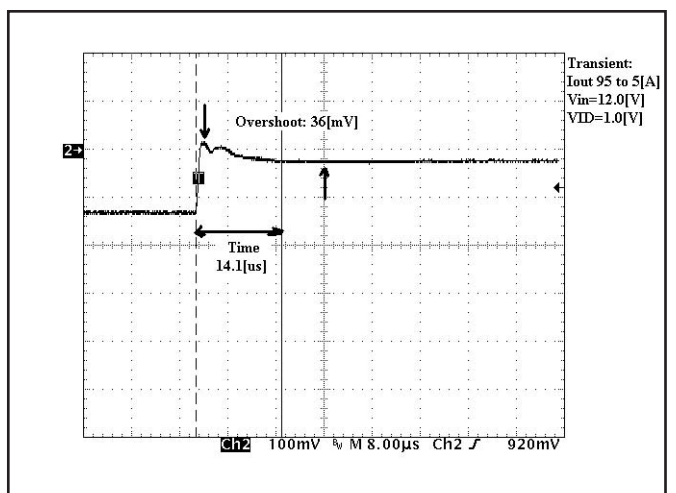


Figure 18d - Transient Load Response 95 A-5 A $VID=1.0$ $Load=240 \mu F$

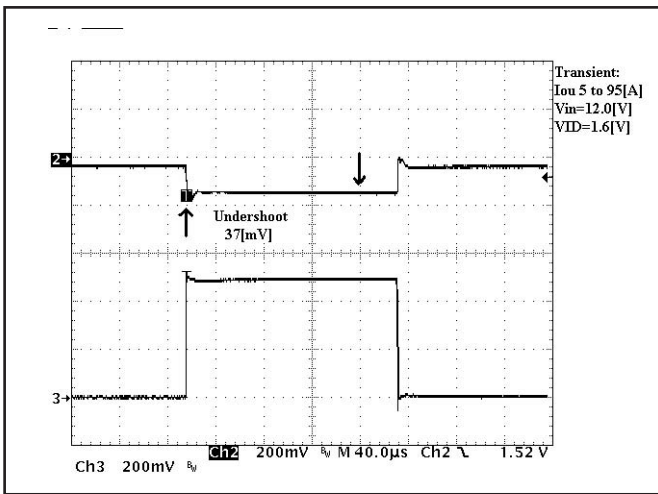


Figure 18e - Transient Load Response 5 A–95 A–5 A VID=1.6 V
Cl_{oad}=240 μF

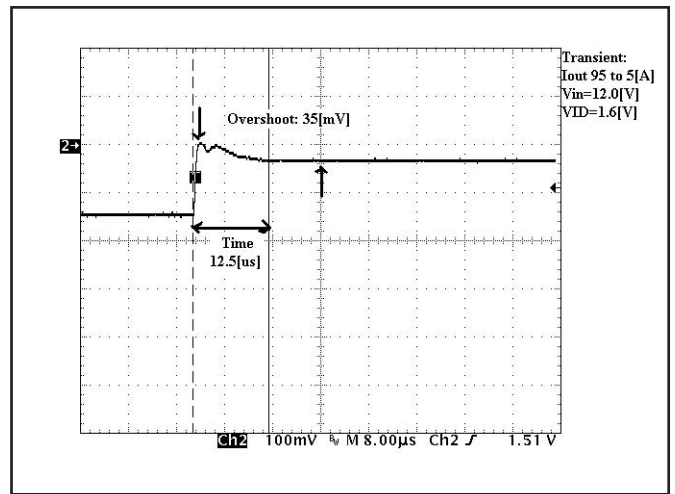


Figure 18f - Transient Load Response 95 A–5 A VID=1.6 V
Cl_{oad}=240 μF

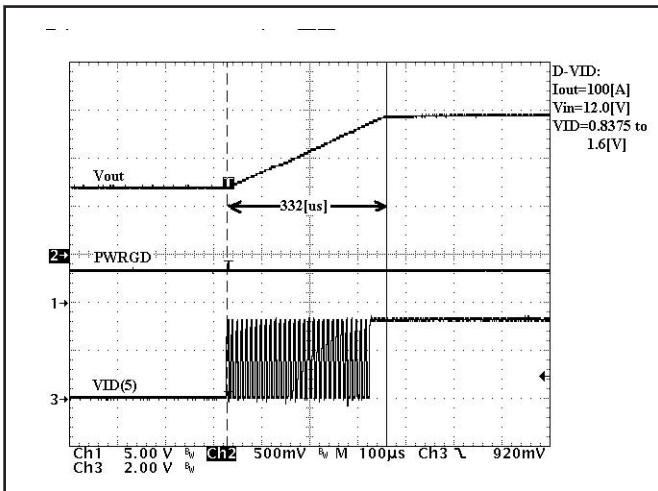


Figure 19a - Monotonic Full Range DAC Incrementing
VID=0.8375 V to VID=1.6 V

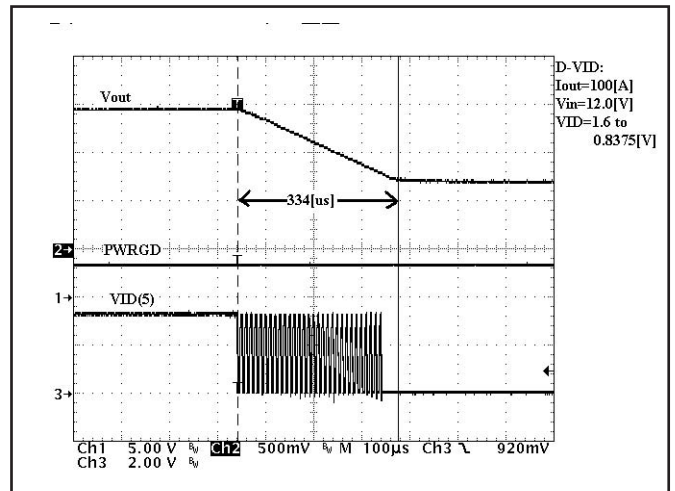


Figure 19b - Monotonic Full Range DAC Decrementing
VID=1.6 V to VID=0.8375 V

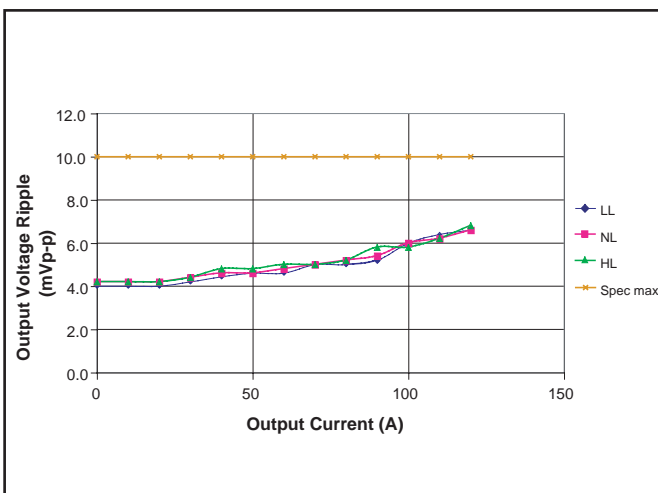
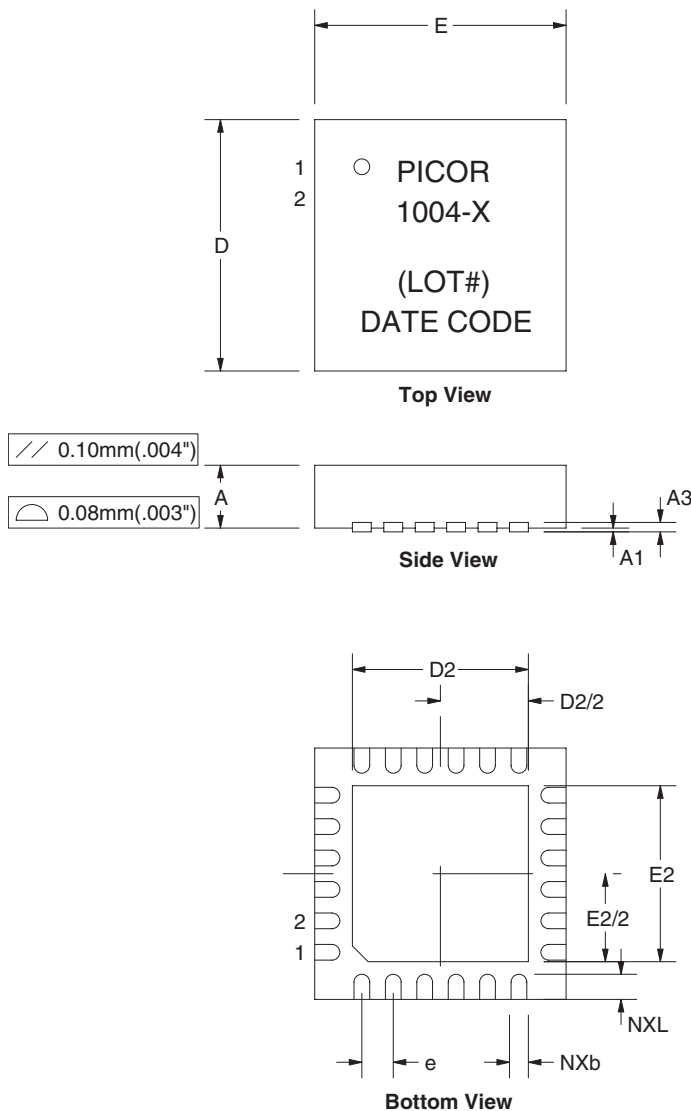


Figure 20 - Output voltage ripple vs. output current;
Vin: 10.2/12.0/13.8 V, Vout: 1.0 V, Ta: Room temp.

Package Description



Layout Guidelines

Good layout technique is required for systems that combine sensitive amplifiers and switching converters. Extra care must be taken to provide high frequency decoupling and to avoid introducing noise at sensitive nodes.

- The capacitors for V_{CC} decoupling and Soft Start should provide low impedance paths to each pin and be referenced to SGND close to the PI1004.
- The connections from load V_{SS} to SGND and the load V_{CC} to EAIP form an output voltage sense pair and should be routed in parallel to avoid noise pick-up. If the layout allows PI1004 return current to flow through the load V_{SS} to SGND connection, trace resistance must be considered to avoid an excessive offset voltage within the trace.
- The PI1004 EA integrator capacitor should be routed in a short loop to minimize noise pick-up.
- R_G and R_{OFFSET} should be tied to SGND near the PI1004 to avoid noise pickup.

DIM	MILLIMETERS			INCHES		
	MIN	NOM	MAX	MIN	NOM	MAX
A	0.80	0.85	.90	.031	.033	.035
A1	0.00	0.02	0.05	.000	.001	.002
A3	--	0.20ref	--	--	.008 ref	--
NXb	0.20	0.25	0.30	.008	.010	.012
D		4.00			.157	
D2	2.70	2.80	2.90	.106	.110	.114
E		4.00			.157	
E2	2.70	2.80	2.90	.106	.110	.114
e		0.50			.020	
NXL	0.30	0.40	0.50	.012	.016	.020

Controlling Dimensions: Millimeters

Thermal Resistance Ratings

PARAMETER	SYMBOL	TYPICAL	UNIT
Maximum Junction-to-Ambient ²	θ_{JA}	46	$^{\circ}\text{C}/\text{W}$
Maximum Junction-to-Case	θ_{JC}	2	$^{\circ}\text{C}/\text{W}$

Ordering Information

PART NUMBER	PACKAGE	BRANDING	TEMP. RANGE	TRANSPORT MEDIA
PI1004-1-QAHG	24 lead (4mm x 4mm) QFN	1004-1	-40 $^{\circ}\text{C}$ to 125 $^{\circ}\text{C}$	T&R
PI1004-2-QAHG	24 lead (4mm x 4mm) QFN	1004-2	-40 $^{\circ}\text{C}$ to 125 $^{\circ}\text{C}$	T&R

Note 2: In accordance with JEDEC JESD 51-5

Note 3: This product is MSL classified at the peak soldering reflow temperature listed in the Absolute Maximum Rating section to meet the lead free requirements of the joint IPC[®] and JEDEC[®] standard J-STD-020C.

Vicor's comprehensive line of power solutions includes high-density AC-DC & DC-DC modules and accessory components, fully configurable AC-DC & DC-DC power supplies, and complete custom power systems.

Information furnished by Vicor is believed to be accurate and reliable. However, no responsibility is assumed by Vicor for its use. No license is granted by implication or otherwise under any patent or patent rights of Vicor. Vicor components are not designed to be used in applications, such as life support systems, wherein a failure or malfunction could result in injury or death. All sales are subject to Vicor's Terms and Conditions of Sale, which are available upon request.

Specifications are subject to change without notice.



Vicor Corporation

25 Frontage Road, Andover, MA, USA 01810
Tel: 800-735-6200 Fax: 978-475-6715

Email

Vicor Express: vicorexp@vicr.com
Technical Support: apps@vicr.com