



PRELIMINARY

SOLID STATE DEVICES, INC

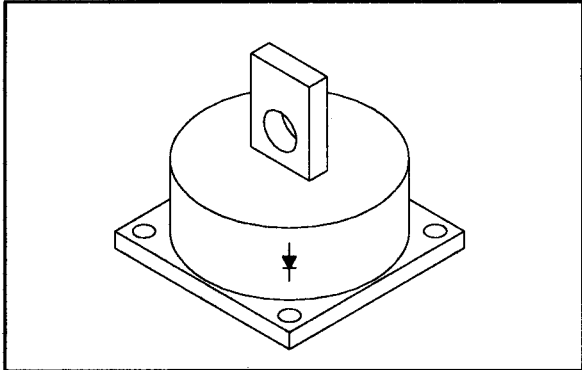
14849 Firestone Boulevard · La Mirada, CA 90638
Phone: (714) 670-SSDI (7734) · Fax: (714) 522-7424

SDA46

Designer's Data Sheet

- FEATURES:**
- Each diode is VF matched to within 20mV of other diodes in array
 - Hermetically sealed Schottky diode cells
 - Hot carrier copper heat sinking mounting bracket
 - Number and configuration of diodes can be customized
 - TX, TXV and Space Level screening

**300 AMPS
30 VOLTS
POWER SCHOTTKY
DIODE ASSEMBLY**



MAXIMUM RATINGS

RATING	SYMBOL	VALUE	UNIT
Peak Repetitive Reverse and DC Blocking Voltage	VRRM	30	Volts
	VRWM		
	VR		
Average Rectified Forward Current (Resistive Load, 60Hz, Sine Wave, TA=25°C)	Io	300	Amps
Peak Surge Current (8.3 ms Pulse, Half Sine Wave Superimposed on Io, allow junction to reach equilibrium between pulses, TA=25°C)	IFSM	1200	Amps
Operating and storage temperature	Top & Tstg	-65 to +125	°C
Maximum Thermal Resistance Junction to Case	RθJC	0.25	°C/W

NOTE: All specifications are subject to change without notification. SCD's for these devices should be reviewed by SSDI prior to release.

DATA SHEET#: RS0219 A

RMD

SDA46

PRELIMINARY



SOLID STATE DEVICES, INC

14849 Firestone Boulevard · La Mirada, CA 90638
Phone: (714) 670-SSDI (7734) · Fax: (714) 522-7424

ELECTRICAL CHARACTERISTICS

CHARACTERISTICS	SYMBOL	MAXIMUM	UNIT
Instantaneous Forward Voltage Drop ($I_F = 300 \text{ A dc}$, $T_A = 25^\circ\text{C}$, 300 μs Pulse)	VF	0.65	Vdc
Instantaneous Forward Voltage Drop ($I_F = 300 \text{ A dc}$, $T_A = -55^\circ\text{C}$, 300 μs Pulse)	VF	0.69	Vdc
Reverse Leakage Current (Rated V_R , $T_A = 25^\circ\text{C}$, 300 μs pulse minimum)	IR	300	mA
Reverse Leakage Current (Rated V_R , $T_A = 85^\circ\text{C}$, 300 μs pulse minimum)	IR	2.5	A
Junction Capacitance ($V_R = 10 \text{ Vdc}$, $T_A = 25^\circ\text{C}$, $f = 1 \text{ MHz}$)	CJ	3000	pf

CASE OUTLINE:

