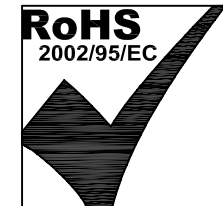


NOTE:

1.0 C1, C2, C3, C4 = 0.1 uF

ELECTRICAL SPECIFICATIONS:

- | | | |
|-------------------------|---------------------------------------|--|
| 1.0 TURNS RATIO: | (P2-P1) : (J2-J1) | : 1CT : 1CT ±3% |
| | (P6-P3) : (J6-J3) | : 1CT : 1CT ±3% |
| | (P5-P4) : (J5-J4) | : 1CT : 1CT ±3% |
| | (P8-P7) : (J8-J7) | : 1CT : 1CT ±3% |
| 2.0 INDUCTANCE: | (P1-P2) ; (P5-P4) | : 350 uH MIN. @ 0.1V, 100KHz, 8 mA DC BIAS |
| | (P3-P6) ; (P7-P8) | : 350 uH MIN. @ 0.1V, 100KHz, 8 mA DC BIAS |
| 3.0 LEAKAGE INDUCTANCE: | P2-P1 (WITH J2 AND J1 SHORT) | : 0.3uH MAX. @ 1MHz |
| | P6-P3 (WITH J6 AND J3 SHORT) | : 0.3uH MAX. @ 1MHz |
| | P5-P4 (WITH J5 AND J4 SHORT) | : 0.3uH MAX. @ 1MHz |
| | P8-P7 (WITH J8 AND J7 SHORT) | : 0.3uH MAX. @ 1MHz |
| 4.0 DC RESISTANCE: | (J6-J3) ; (J2-J1) ; (J5-J4) ; (J8-J7) | : 1.2 ohms Max. |



Bel Stewart Connector
 1118 Susquehanna Trail, South
 Glen Rock, Pa 17327-9199
 717.234.7512

MagJack®

<http://www.stewartconnector.com>

THIS DRAWING AND THE SUBJECT MATTER SHOWN THEREON ARE CONFIDENTIAL AND PROPERTY OF BEL STEWART CONNECTOR AND SHALL NOT BE REPRODUCED, COPIED, OR USED IN ANY MANNER WITHOUT PRIOR WRITTEN CONTENT OF BEL STEWART CONNECTOR. THE SUBJECT MATTER MAY BE PATENTED OR A PATENT MAY BE PENDING.

SHEET
1 OF 4

DRAWING NO.
SI-61004-F

REV.
06

- 5.0 RETURN LOSS: 1MHz TO 40MHz : 18dB MIN.
60MHz TO 100MHz : $12-20 \text{ LOG } \left(\frac{F}{80\text{MHz}} \right)$
- 6.0 DIELECTRIC WITHSTAND: (J1,J2) TO (P1,P2) ; (J5,J4) TO (P5,P4) : 1500 VAC
(J3,J6) TO (P3,P6) ; (J8,J7) TO (P8, P7) : 1500 VAC
- 7.0 INSERTION LOSS: RS=RL=100 ohms : 1.1 dB MAX
1MHz TO 100MHz
- 8.0 RISE TIME: RS=100 OHMS AND RL = 100 OHMS : 3.0 nS MAX
OUTPUT VOLTAGE = 1 V peak : 3.0 nS MAX
PULSE WIDTH= 112nS
- 9.0 CROSS TALK: 1-100 MHz : 40 dB TYP
- 10.0 COMMON TO COMMON MODE ATTENUATION: 1MHz TO 100MHz : 40dB TYP

Bel Stewart Connector
11118 Susquehanna Trail, South
Glen Rock, Pa 17327-9199
717.234.7512

MagJack®

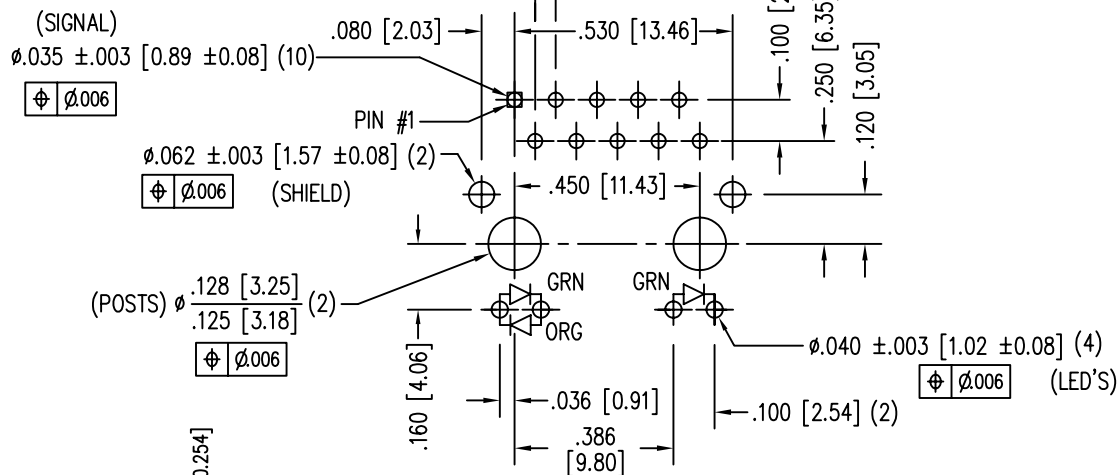
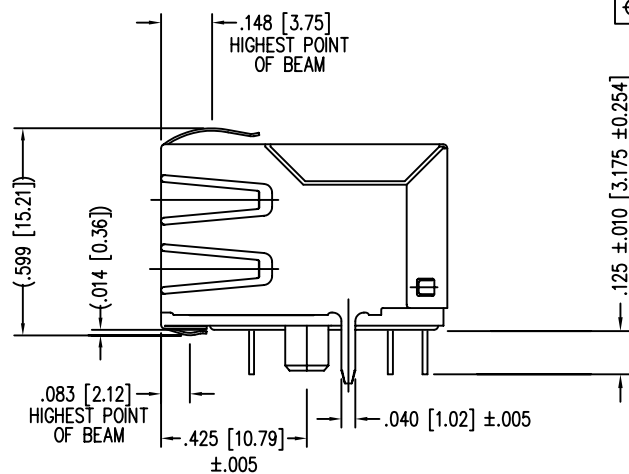
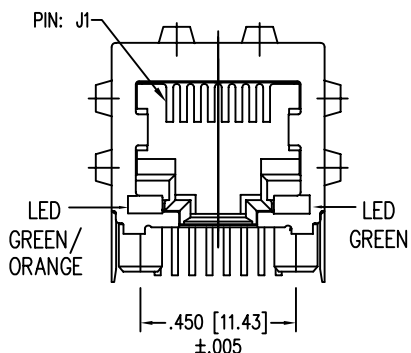
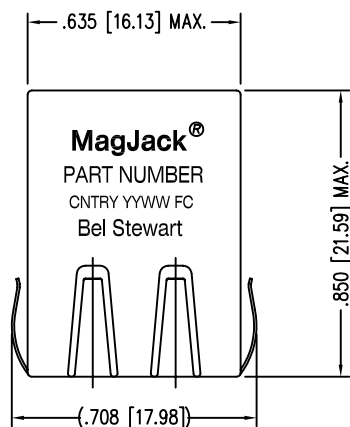
<http://www.stewartconnector.com>

THIS DRAWING AND THE SUBJECT MATTER SHOWN THEREON ARE CONFIDENTIAL AND PROPERTY OF BEL STEWART CONNECTOR AND SHALL NOT BE REPRODUCED, COPIED, OR USED IN ANY MANNER WITHOUT PRIOR WRITTEN CONTENT OF BEL STEWART CONNECTOR. THE SUBJECT MATTER MAY BE PATENTED OR A PATENT MAY BE PENDING.

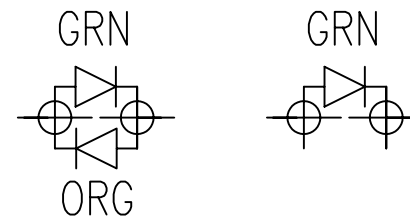
SHEET
2 OF 4

DRAWING NO. SI-61004-F

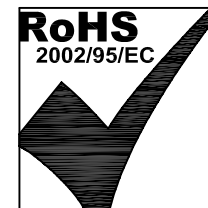
REV. 02



P.C.B. RECOMMENDED HOLE LAYOUT
SEEN FROM COMPONENT SIDE
ALL CENTERLINE DIMENSIONS ARE BASIC.



LED POLARITY



NOTES:

- CONNECTOR MATERIALS:
HOUSING: THERMOPLASTIC UL94 V-0
CONTACT/SHIELD: COPPER ALLOY
SHIELD PLATING: NICKEL OR TIN
CONTACT PLATING: SELECTIVE GOLD,
50 MICRO-INCHES MIN. IN CONTACT AREA.
- PIN NOT ELECTRICALLY CONNECTED MAYBE OMITTED.
SEE ELECTRICAL DRAWING FOR OMITTED PINS.
- TOLERANCES COMPLY WITH F.C.C. DIMENSION REQUIREMENTS.
- WAVE SOLDER COMPATIBLE - PREHEAT 125°C/90SECS.

LED SPECIFICATION			
STANDARD LED	WAVELENGTH	* Forward V (MAX)	(TYP)
GREEN	565 nm	2.5 V	2.1 V
ORANGE	605 nm	2.5 V	2.0 V

*WITH A FORWARD CURRENT OF 20 mA

Bel Stewart Connector
11118 Susquehanna Trail, South
Glen Rock, Pa 17327-9199
717.234.7512

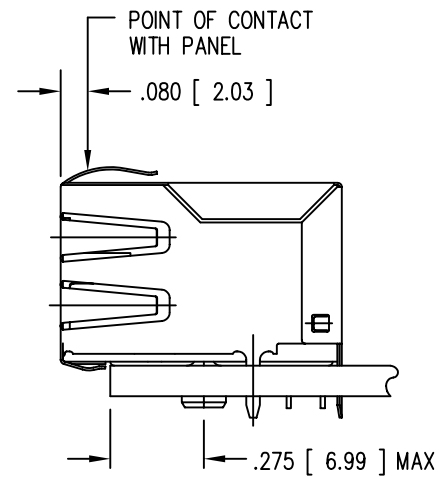
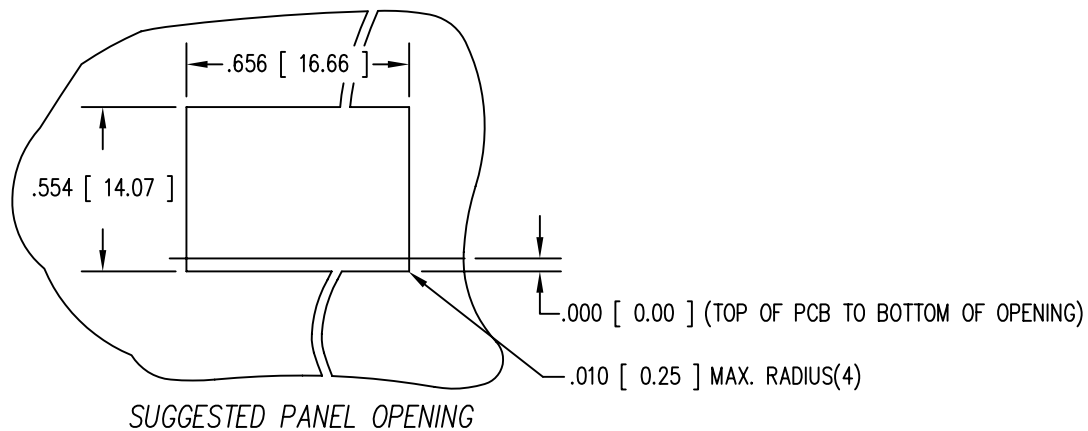
MagJack®

<http://www.stewartconnector.com>

THIS DRAWING AND THE SUBJECT MATTER SHOWN THEREON ARE CONFIDENTIAL AND PROPERTY OF BEL STEWART CONNECTOR AND SHALL NOT BE REPRODUCED, COPIED, OR USED IN ANY MANNER WITHOUT PRIOR WRITTEN CONTENT OF BEL STEWART CONNECTOR. THE SUBJECT MATTER MAY BE PATENTED OR A PATENT MAY BE PENDING.

SHEET 3 OF 4

DRAWING NO. SI-61004-F REV. 01



Bel Stewart Connector
 11118 Susquehanna Trail, South
 Glen Rock, Pa 17327-9199
 717.234.7512

MagJack®

<http://www.stewartconnector.com>

THIS DRAWING AND THE SUBJECT MATTER SHOWN THEREON ARE CONFIDENTIAL AND PROPERTY OF BEL STEWART CONNECTOR AND SHALL NOT BE REPRODUCED, COPIED, OR USED IN ANY MANNER WITHOUT PRIOR WRITTEN CONTENT OF BEL STEWART CONNECTOR. THE SUBJECT MATTER MAY BE PATENTED OR A PATENT MAY BE PENDING.

SHEET
4 OF 4

DRAWING NO.
SI-61004-F

REV.
01