

ELECTRICAL SPECIFICATIONS:

- |  |                                 |   |                  |
|--|---------------------------------|---|------------------|
| 1.0 TURNS RATIO (P6-P5-P4) :                           | (J6-J3)                         | : 1CT : 1CT ± 3%                          |                  |
|  | (P3-P2-P1) :                    | (J2-J1)                                   | : 1CT : 1CT ± 3% |
| 2.0 INDUCTANCE (P6-P5-P4)                              |                                 | : 350uH MIN. @ 0.1V , 100KHz, 8mA DC Bias |                  |
|  | (P3-P2-P1)                      | : 350uH MIN. @ 0.1V, 100KHz, 8mA DC Bias  |                  |
| 3.0 LEAKAGE INDUCTANCE P6-P5-P4 (WITH J6 AND J3 SHORT) |                                 | : 0.3 MAX. @ 1MHz                         |                  |
|  | P3-P2-P1 (WITH J2 AND J1 SHORT) | : 0.3 MAX. @ 1MHz                         |                  |
| 4.0 INTERWINDING CAPACITANCE (P6,P5,P4) TO (J6,J3)     |                                 | : 30pF MAX @ 1MHz                         |                  |
|  | (P3,P2,P1) TO (J2,J1)           | : 30pF MAX. @ 1MHz                        |                  |
| 5.0 DC RESISTANCE (J6-J3)=(J2-J1)                      |                                 | : 1.2 ohms Max.                           |                  |

NOTES

1.0 PINS WITHOUT ELECTRICAL CONNECTION ARE OMITTED.



InNet Technologies, Inc.  
<http://www.innet-tech.com>



Stewart Connector Systems  
<http://www.stewartconnector.com>

SHEET  
1 OF 4

DRAWING NO.

SI-65002

REV. 11

6.0 RETURN LOSS:  $\langle P6-P4 \rangle = 100 \text{ } \Omega$  HMS AND  $\langle P1-P3 \rangle = 100 \text{ } \Omega$  HM REF.  
1MHz TO 30MHz : 18dB MIN.  
60MHz TO 80MHz : 12dB MIN.

NOTE: 100  $\Omega$  HMS CONNECTED TO  $\langle J2-J1 \rangle$  OR  $\langle J6-J3 \rangle$ .

7.0 VOLTAGE WITHSTAND:  
 $\langle J1, J2 \rangle$  TO  $\langle P1, P3 \rangle$  : 1500 VAC  
 $\langle J3, J6 \rangle$  TO  $\langle P4, P6 \rangle$  : 1500 VAC

8.0 INSERTION LOSS:  $R_S = R_L = 100 \text{ ohms}$   
100KHz TO 100MHz 1.1 dB TYP

9.0 RISE TIME:  $R_S = 100 \text{ } \Omega$  HMS AND  $R_L = 100 \text{ } \Omega$  HMS  
OUTPUT VOLTAGE = 1 V peak 3.0 nS MAX  
PULSE WIDTH = 112nS 3.0 nS MAX

10.0 CROSS TALK:  
1MHz TO 100MHz 40 dB TYP

11.0 COMMON TO COMMON MODE ATTENUATION:  
30MHz TO 100MHz 35dB TYP



InNet Technologies, Inc.  
<http://www.innet-tech.com>



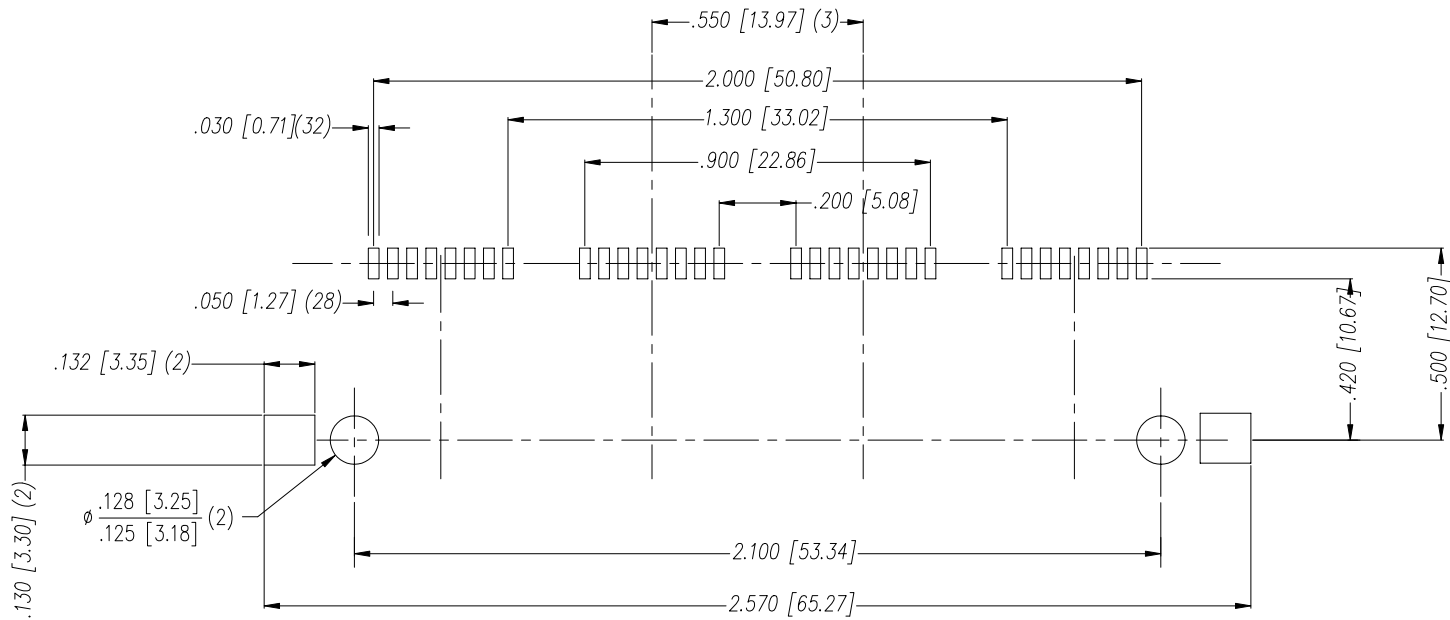
Stewart Connector Systems  
<http://www.stewartconnector.com>

SHEET  
2 OF 4

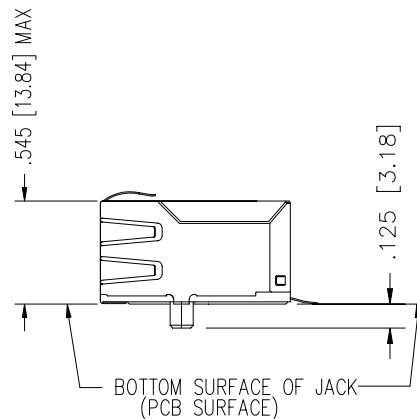
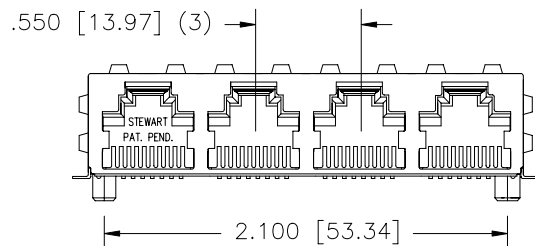
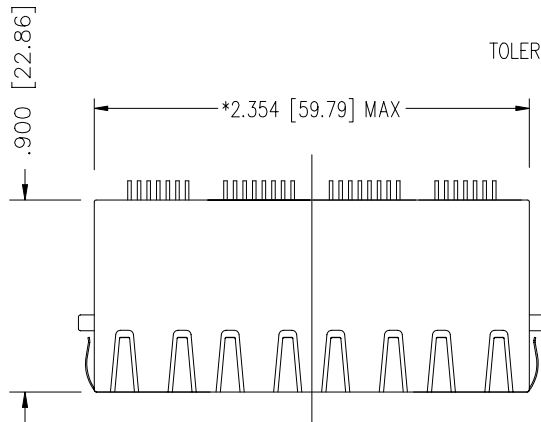
DRAWING NO.

SI-65002

REV. 11



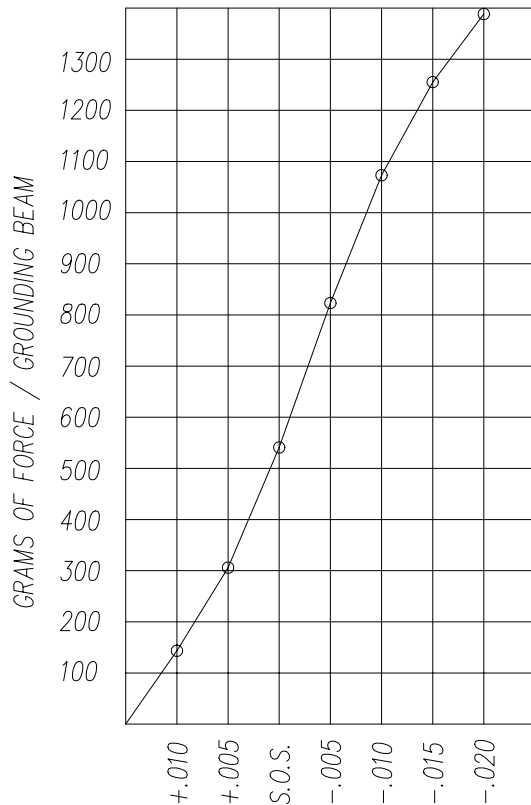
P.C.B. RECOMMENDED HOLE LAYOUT  
 SEEN FROM COMPONENT SIDE  
 TOLERANCE  $\pm 0.003$  [0.08] UNLESS OTHERWISE SPECIFIED



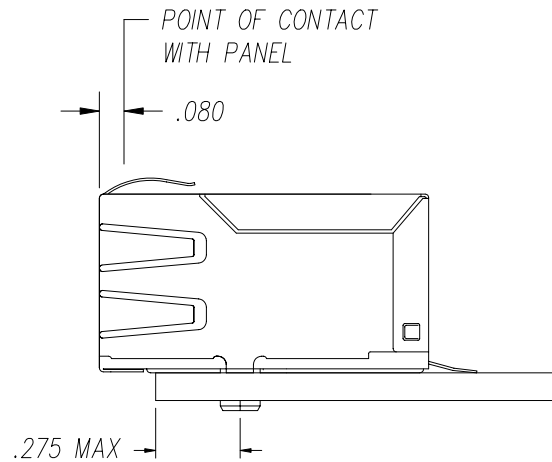
NOTES:

- FOR FOOTPRINT SEE SHEET 2
- TOLERANCES COMPLY WITH F.C.C. DIMENSION REQUIREMENTS
- DIMENSIONS SHOWN WITH "\*" TO BE CENTRAL ABOUT CENTER LINE
- DIMENSIONS SHOWN ARE SUBJECT TO CHANGE WITHOUT NOTICE  
CONSULT FACTORY BEFORE ORDERING
- 30 & 50 MICRO-INCH SELECTIVE GOLD PLATING

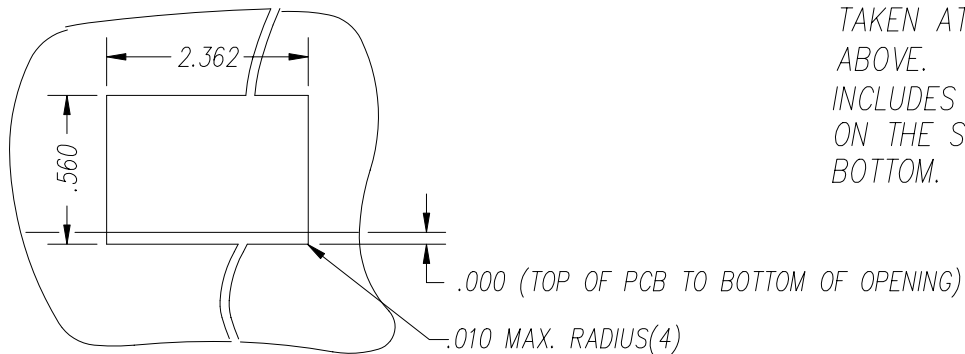
|                 |                         |  |  |
|-----------------|-------------------------|--|--|
|                 |                         | InNet Technologies, Inc.<br><a href="http://www.innet-tech.com">http://www.innet-tech.com</a>              |  |
|                 |                         | Stewart Connector Systems<br><a href="http://www.stewartconnector.com">http://www.stewartconnector.com</a> |  |
| SHEET<br>3 OF 4 | DRAWING NO.<br>SI-65002 | REV.<br>X  |  |



PANEL GROUNDING BEAM DEFLECTION  
S.O.S. = SUGGESTED OPENING SIZE



THE SUGGESTED PANEL OPENING IS INTENDED TO GIVE THE USER THE ABILITY TO HAVE REASONABLE JACK / PANEL CLEARANCES YET MAINTAIN RELIABLE GROUNDING CAPABILITY. THESE VARIABLES CAN BE ADJUSTED IN EITHER DIRECTION BUT MAY CARRY SOME CONSEQUENCES IN THE FORM OF LOWER MATING FORCES OR TIGHTER ASSEMBLY TOLERANCES. FORCE VALUES ON THE GRAPH ARE GENERAL AVERAGES TAKEN AT THE POINT OF CONTACT SHOWN ABOVE. THE SUGGESTED PANEL OPENING INCLUDES APPROXIMATELY .020 CLEARANCE ON THE SIDES AND TOP AND .005 ON THE BOTTOM.



SUGGESTED PANEL OPENING

CT720035X1/24-001701



InNet Technologies, Inc.  
<http://www.innet-tech.com>



Stewart Connector Systems  
<http://www.stewartconnector.com>

SHEET  
4 OF 4

DRAWING NO.

SI-65002 REV. X