

SMD POWER INDUCTORS

MODEL NO. : SPC-06704 SERIES(CDRH6D38 COMPATIBLE)

FEATURES:

- * SUPERIOR QUALITY FOR AN AUTOMATED PRODUCTION LINE.
- * PICK AND PLACE COMPATIBLE.
- * TAPE AND REEL PACKING.



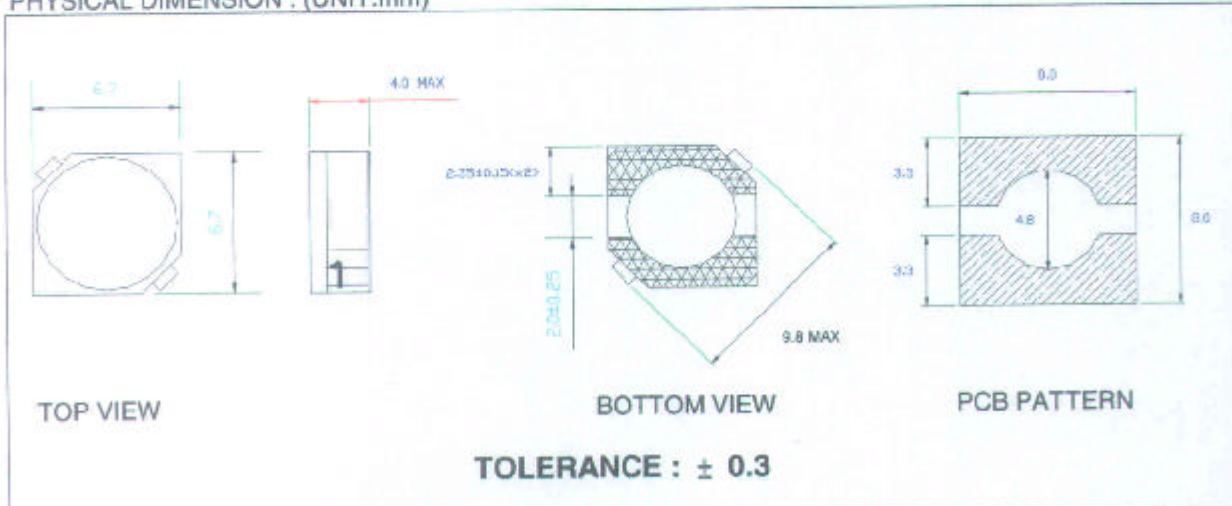
APPLICATION :

- * NOTEBOOK COMPUTERS .
- * DC-DC CONVERTORS.
- * DC-AC INVERTERS.
- * PDA
- * DIGITAL STILL CAMERAS.
- * PC CAMERAS.

ELECTRICAL SPECIFICATION:

PART NO	INDUCTANCE (uH) ± 30%	DCR MAX (Ω)	RATED CURRENT (A)
SPC-06704-5R0	5.0	0.025	2.90
SPC-06704-100	10	0.038	2.20
SPC-06704-220	22	0.100	1.50
SPC-06704-470	47	0.230	1.00
SPC-06704-101	100	0.358	0.62

PHYSICAL DIMENSION : (UNIT:mm)



NOTE (1): TEST FREQUENCY: 100KHZ, 1VRMS.

NOTE (2): THIS INDICATES THE VALUE OF DC CURRENT WHICH THE INDUCTANCE IS 35% LOWER THAN ITS INITIAL VALUE AND/OR ΔT=40°C UNDER THIS DC CURRENT BIAS.