



Solid State Devices, Inc.

14701 Firestone Blvd * La Mirada, Ca 90638
Phone: (562) 404-4474 * Fax: (562) 404-1773
ssdi@ssdi-power.com * www.ssdi-power.com

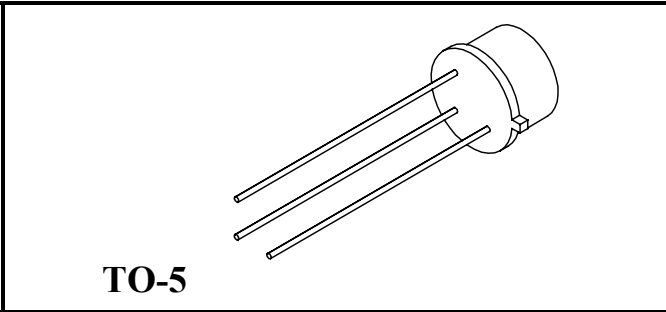
SSR0508/5
SSR0509/5
SSR0510/5

5 AMP
80 – 100 VOLTS
SCHOTTKY RECTIFIER

Designer's Data Sheet

FEATURES:

- Extremely Low Forward Voltage Drop
- Low Reverse Leakage
- Hermetically Sealed Package
- Guard Ring for Overvoltage Protection
- Eutectic Die Attach
- 175°C Operating Junction Temperature
- TX, TXV, or Space Level Screening Available



MAXIMUM RATINGS

RATING	SYMBOL	VALUE	UNIT
Peak Repetitive Reverse Voltage and DC Blocking Voltage	V_{RRM}	80	Volts
SSR0508/5	V_{RWM}	90	
SSR0509/5	V_R	100	
Average Rectified Output Current (Resistive Load, 60Hz, Sine Wave, TA=25°C)	I_O	5	Amps
Peak Surge Current ^{1/} (8.3 ms Pulse, Half Sine Wave, superimposed on I_O , allow junction to reach equilibrium between pulses, TA=25°C)	I_{FSM}	150	Amps
Operating and Storage Temperature	T_{OP} & T_{STG}	-65 to +175	°C
Maximum Thermal Resistance ^{1/} Junction to Case	$R_{\theta JC}$	7	°C/W

Notes:

^{1/} For optimal performance, connect leads 1 & 2 (Anode) together.

NOTE: All specifications are subject to change without notification. SCD's for these devices should be reviewed by SSDI prior to release.

DATA SHEET #: RS0187C

DOC



Solid State Devices, Inc.

14701 Firestone Blvd * La Mirada, Ca 90638
 Phone: (562) 404-4474 * Fax: (562) 404-1773
 ssdi@ssdi-power.com * www.ssdi-power.com

SSR0508/5
SSR0509/5
SSR0510/5

ELECTRICAL CHARACTERISTICS

CHARACTERISTICS	SYMBOL	MAXIMUM	UNIT
Instantaneous Forward Voltage Drop ^{1/} (I _F = 1 Adc, T _A = 25°C, Pulse) (I _F = 5 Adc, T _A = 25°C, Pulse)	V_{F1}	0.56 0.73	Vdc
Instantaneous Forward Voltage Drop (I _F = 5 Adc, T _A = -55°C, Pulse)	V_{F2}	0.8	Vdc
Reverse Leakage Current (Rated V _R , T _A = 25°C, Pulse)	I_{R1}	100	μA
Reverse Leakage Current (Rated V _R , T _A = 100°C, Pulse)	I_{R2}	5	mA
Junction Capacitance (V _R = 10 Vdc, T _A = 25°C, f = 1 MHz)	C_J	400	pF

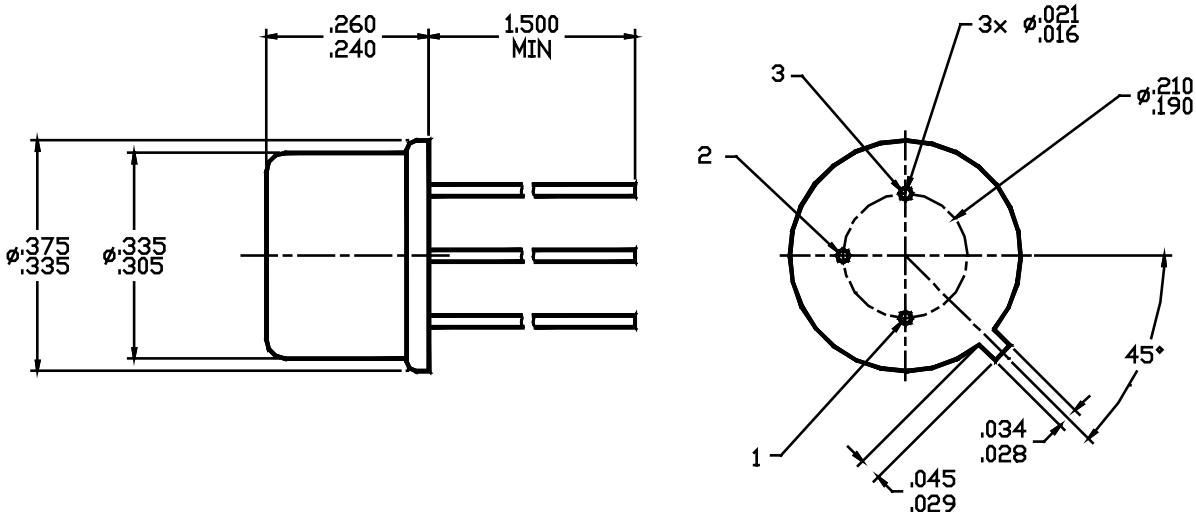
Notes:

2/ V_F as measured between pins 1 and 2 in common, within .100" from the case, and pin 3 directly at the case.

Case Outline- TO-5

PIN OUT:

- PIN 1- ANODE**
- PIN 2- ANODE**
- PIN 3- CATHODE**



NOTE: All specifications are subject to change without notification. SCD's for these devices should be reviewed by SSDI prior to release.

DATA SHEET #: RS0187C

DOC