



PRELIMINARY

SOLID STATE DEVICES, INC.

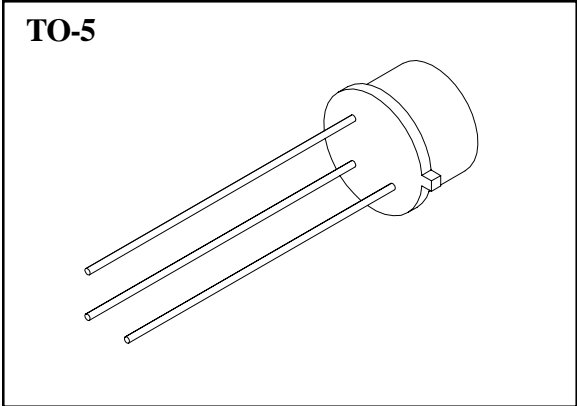
14830 Valley View Ave. * La Mirada, Ca 90638
Phone: (562) 404-7855 * Fax: (562) 404-1773

Designer's Data Sheet

SSR0845CA/5

8 AMP ^{1/}
45 VOLTS
COMMON ANODE
SCHOTTKY RECTIFIER

- FEATURES:**
- Extremely Low Forward Voltage Drop
 - Hermetically Sealed
 - Guard Ring for Overvoltage Protection
 - Eutectic Die Attach
 - 150°C Operating Junction Temperature
 - TX, TXV and Space Level Screening Available



Maximum Ratings	SYMBOL	VALUE	UNITS
Peak Repetitive Reverse and DC Blocking Voltage	V_{RRM} V_{RWM} V_R	45	Volts
Average Total Rectified Forward Current (Resistive Load, 60Hz, Sine Wave, $T_C = 25^\circ C$)	I_o	8 ^{1/}	Amps
Peak Surge Current ^{2/} (8.3 ms Pulse, Half Sine Wave Superimposed on I_o , allow junction to reach equilibrium between pulses, $T_C = 25^\circ C$)	I_{FSM}	80	Amps
Operating and Storage Temperature	T_{OP} T_{STG}	-65 TO +165 -65 TO +200	$^\circ C$
Maximum Thermal Resistance ^{3/} Junction to Case	$R_{\theta JC}$	7.0	$^\circ C/W$

Notes:

- ^{1/} 4 Amps per leg; 8 Amps total output.
- ^{2/} Per leg. Each leg surged independantly from the other leg.
- ^{3/} Both legs tied together.

NOTE: All specifications are subject to change without notification. SCD's for these devices should be reviewed by SSDI prior to release.

DATA SHEET #: SH0023A

SSR0845CA/5

PRELIMINARY



SOLID STATE DEVICES, INC.

14830 Valley View Ave. * La Mirada, Ca 90638
Phone: (562) 404-7855 * Fax: (562) 404-1773

Electrical Characteristics (per leg)		SYMBOL	MAXIMUM	UNITS
Instantaneous Forward Voltage Drop ^{1/} (T _A = 25°C, 300 - 500µs Pulse)	I _F = 1 A _{DC}	V _{F1}	0.48	V _{DC}
	I _F = 2 A _{DC}	V _{F2}	0.56	
	I _F = 4 A _{DC}	V _{F3}	0.68	
Instantaneous Forward Voltage Drop (I _F = 2 A _{DC} , T _A = -55°C, 300 - 500µs Pulse)		V _{F4}	0.63	V _{DC}
Reverse Leakage Current (Rated V _R , T _A = 25°C, 300 µs min Pulse)		I _{R1}	100	µA
Reverse Leakage Current (Rated V _R , T _A = 100°C, 300 µs min Pulse)		I _{R2}	5	1mA
Junction Capacitance (V _R = 10 V _{DC} , T _A = 25°C, f = 1 MHz)		C _J	350	pF

CASE OUTLINE: JEDEC TO-5

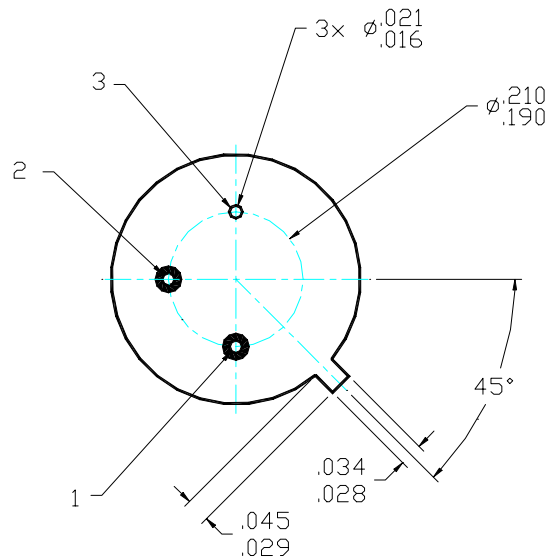
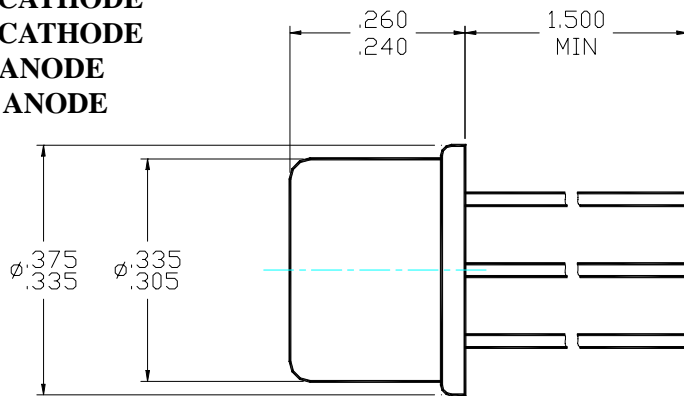
PIN OUT:

PIN 1: CATHODE

PIN 2: CATHODE

PIN 3: ANODE

CASE: ANODE



APPLICATION NOTES:

^{1/} V_F as measured between Pins 1 and 2 within .100" from the case, and Pin 3 directly at the case.