

**Features**

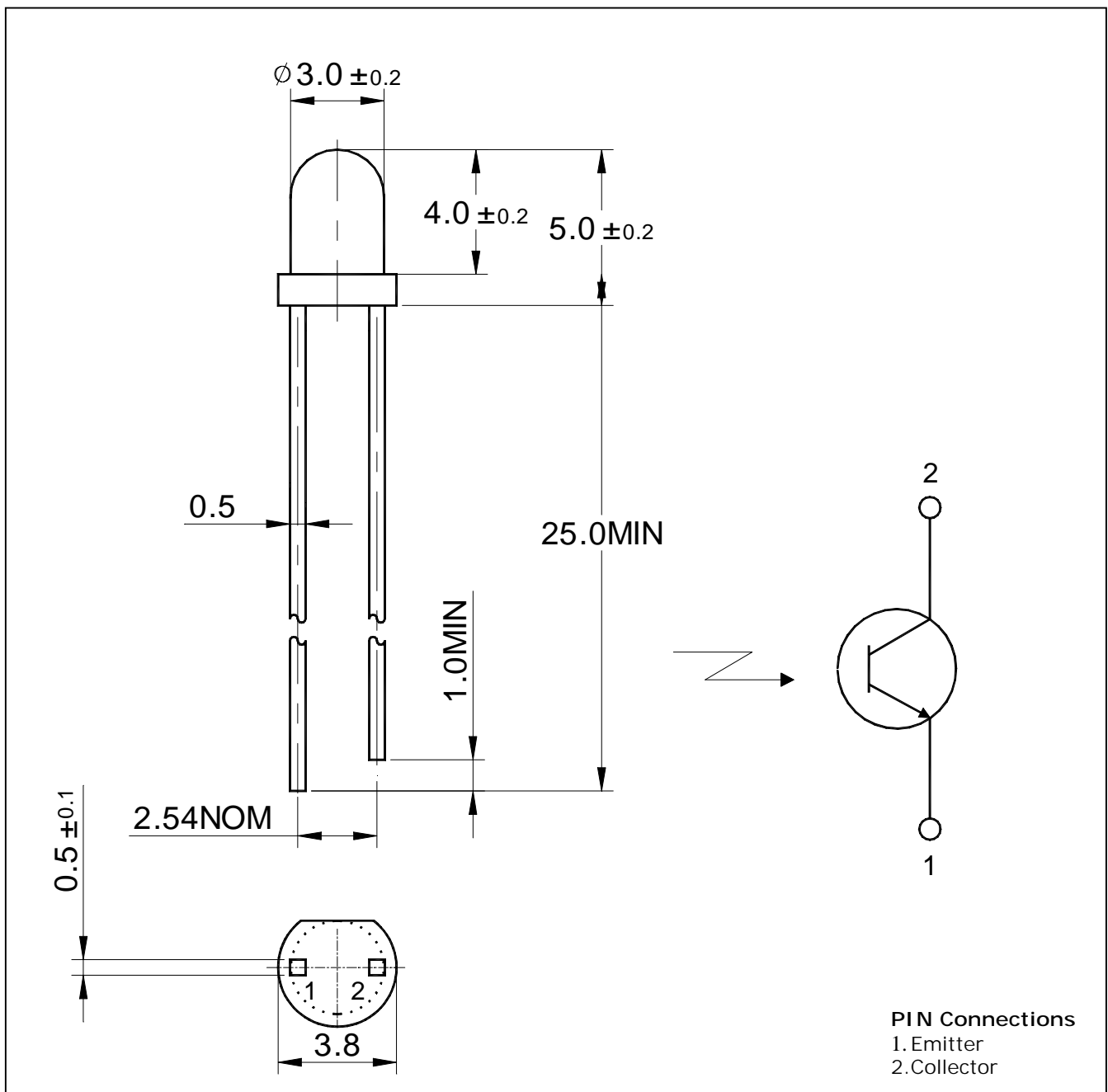
- $\phi 3\text{mm}$ (T-1) all plastic mold type
- Visible light cut-off type

**Features**

- VCR, Camcorders
- Floppy disk drivers
- Optical detectors

**Outline Dimensions**

unit : mm



## Absolute maximum ratings

Characteristic	Symbol	Ratings	Unit
Collector-Emitter Voltage	$V_{CEO}$	35	V
Emitter-Collector Voltage	$V_{ECO}$	6	V
Collector Current	$I_C$	20	mA
Collector Power Dissipation	$P_D$	75	mW
Operating Temperature	$T_{opr}$	-25 85	
Storage Temperature	$T_{stg}$	-30 100	
*1Soldering Temperature	$T_{sol}$	260 for 5 seconds	

\*1.Keep the distance more than 2.0mm from PCB to the bottom of Photo TR package

## Electrical Characteristics

Characteristic	Symbol	Test Condition	Min.	Typ.	Max.	Unit
Current Dark Current	$I_{CEO}$	$V_{CEO}=10V, E_e=0$	-	0.05	0.5	uA
*3Light Current	$I_{CEL}$	$V_{CE}=5V, E_e=1mW/cm^2$	-	4.5	-	mA
Current-Emitter Saturation Voltage	$V_{CE(sat)}$	$I_C=0.5mA, E_e=1mW/cm^2$	-	0.2	-	V
Switching Time	Rise Time	$V_{CC}=10V, I_C=1mA$ $R_1=100\Omega$	-	2.5	-	us
	Fall Time			$t_f$		
Spectral Sensitivity		-	700 ~ 1000			nm
Peak Sensitivity Wavelength	$\lambda_p$	-	-	880	-	nm
Half angle	$\theta_{1/2}$	$I_F=20mA$	-	$\pm 20$	-	deg

\*1. Tolerance =  $\pm 30\%$

Characteristic Diagrams

Fig. 1  $I_{CEL} - E_e$

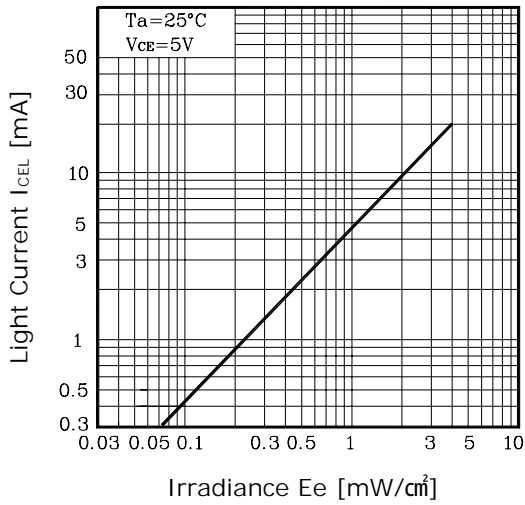


Fig. 2  $I_{CEL} - V_{CE}$

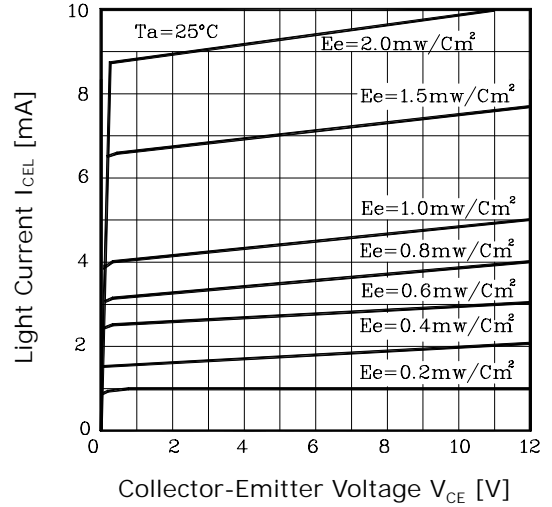


Fig. 3  $P_D - T_a$

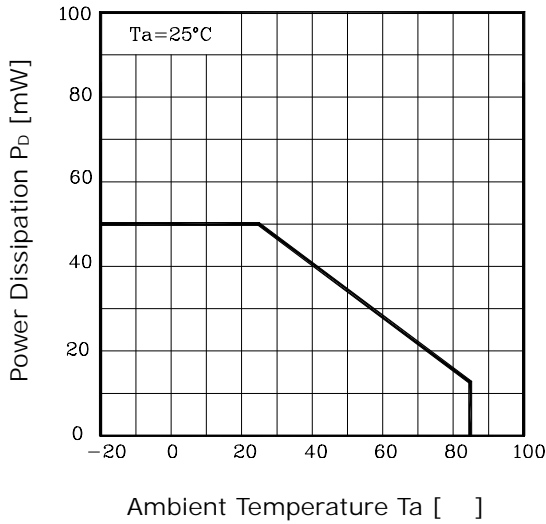


Fig. 4  $I_{CEO} - T_a$

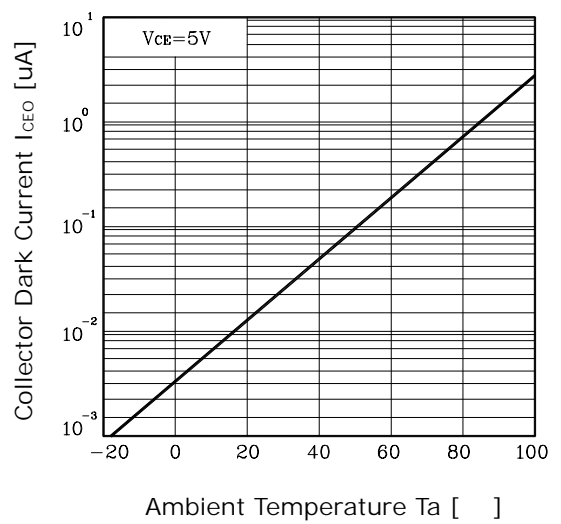


Fig. 5 Spectrum Sensitivity

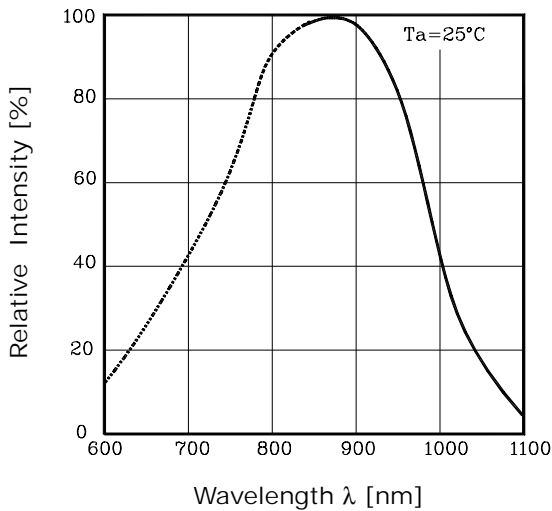


Fig. 5 Sensitivity Diagram

