

- NOTES :
1. MATERIAL - PP8.
 2. ALL DIMENSIONS ARE IN MILLIMETERS.
 3. TOLERANCES - X.X=±0.25
- X.XX=±0.13
UNLESS OTHERWISE SPECIFIED.
 4. ESD - SURFACE RESISTIVITY
- 10⁶ TO 10¹¹ OHMS/SQ.
 5. FOR PACKAGE - 1.0MM THICKNESS.
 6. PART NO. : ND 1010 1.0 0820 8 REV.A
(PLEASE INDICATE ON PURCHASE ORDER).

ATMEL PART NUMBER: 10-0532-00
DESCRIPTION: 44LD, 10 X 10mm TQFP



PEAK PLASTIC & METAL PRODUCTS (INTERNATIONAL) LTD.
UNIT 4, 5 & 7, 37/F., WHARF CABLE TOWER,
9 HOI SHING ROAD, TSUEN WAN, N.T.
HONG KONG

CUSTOMER : **PEAK**

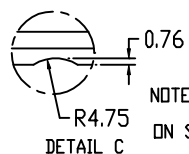
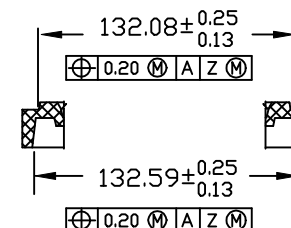
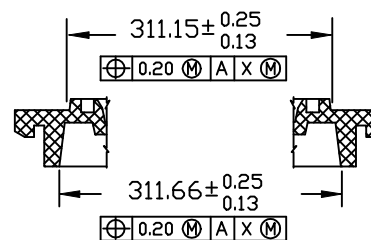
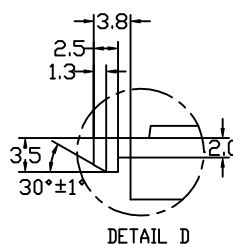
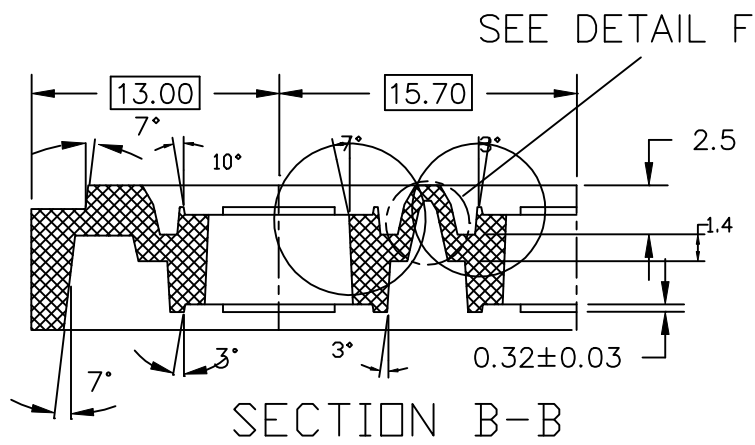
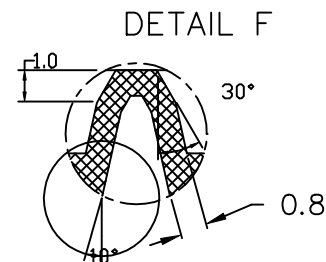
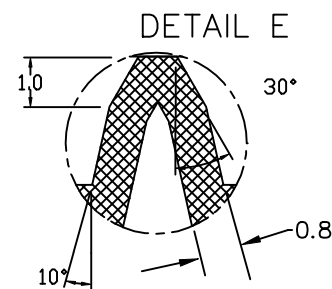
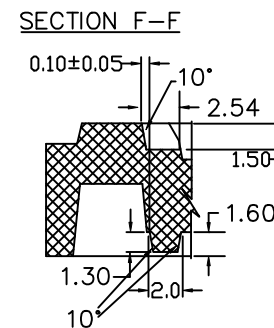
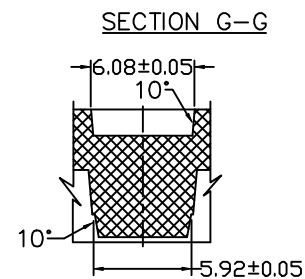
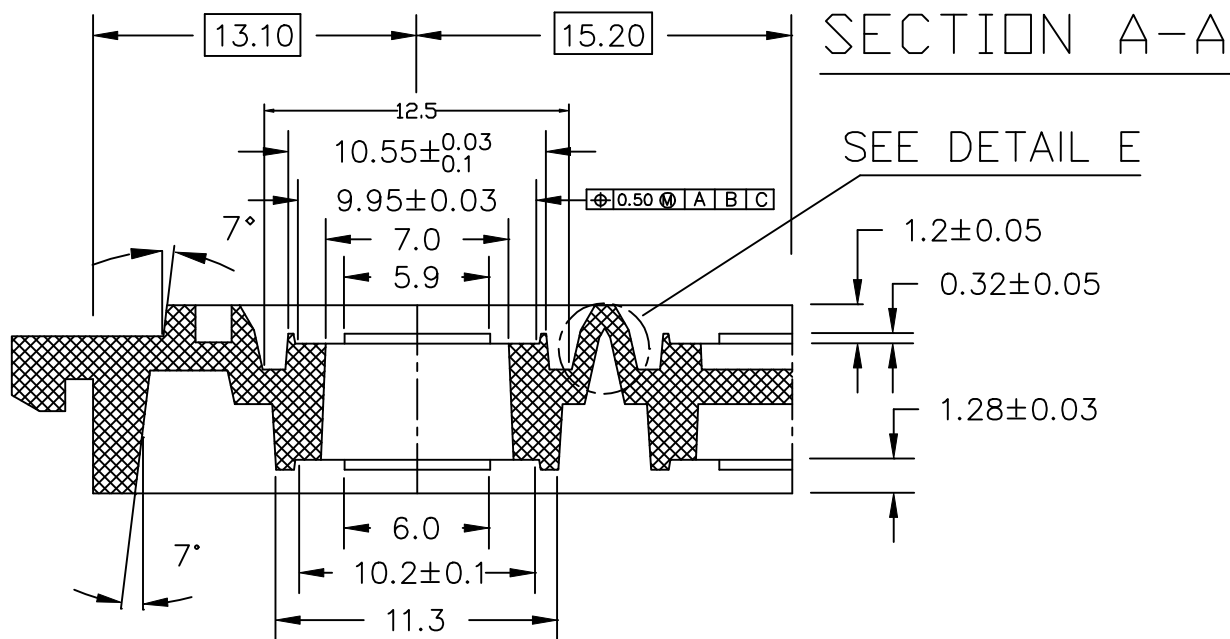
TITLE : ND 1010 1.0 0820 8 REV.A

DWG NO.: ND 1010 1.0 0820 8 REV.A REV. 17

REV.NO.	ECN #	DESCRIPTION	DATE	APPROVED BY
17	P-00696	CHANGE POSITION TOL	13 OCT 97	M.S.KHOO
16	P-00545	DELETED "ASSEMBLED IN SINGAPORE"	1 SEP 95	M.S.KHOO
15	P-00462	CHANGE "LOW TEMP." TO "75°C MAX."	19 JAN 95	M.S.KHOO
14	P-00418	REMOVE 4 INTERLOCKING	17 DEC 94	M.S.KHOO
13	P-00407	ADD IN MATERIAL 6	28 NOV 94	M.S.KHOO
12	P-00348	CHANGE LOGO & WORDINGS	30 JULY 94	M.S.KHOO

THIS DOCUMENT CONTAINS INFORMATION PROPRIETARY TO PEAK PLASTIC & METAL PRODUCTS (INTERNATIONAL) LIMITED REPRODUCTION DISCLOSURE OR USE OF THIS DOCUMENT IS EXPRESSLY PROHIBITED EXCEPT OTHERWISE AGREED UPON IN WRITING.

DRAWN BY : Qifang	PAGE 1 OF 2
CHECKED BY :	DATE : 13 OCT 97
APPROVED BY :	DATE : 13 OCT 97
APPROVED BY :	DATE : 13 OCT 97
DO NOT SCALE DRAWING	CODE : CYA00601



NOTE: SCALLOP IS CENTERED
ON SIDE OF TRAY

PEAK
PEAK PLASTIC & METAL PRODUCTS
(INTERNATIONAL) LTD.
UNIT 4, 5 & 7, 37/F., WHARF CABLE TOWER,
9 HOI SHING ROAD, TSUEN WAN, N.T.
HONG KONG

17	P-00696	CHANGE POSITION TOL	13 OCT 97	M.S.KHOO
16	P-00545	DELETED "ASSEMBLED IN SINGAPORE"	1 SEP 95	M.S.KHOO
15	P-00462	CHANGE "LOW TEMP." TO "75C MAX."	19 JAN 95	M.S.KHOO
14	P-00418	REMOVE 4 INTERLOCKING	17 DEC 94	M.S.KHOO
13	P-00407	ADD IN MATERIAL 6	28 NOV 94	M.S.KHOO
12	P-00348	CHANGE LOGO & WORDINGS	30 JULY 94	M.S.KHOO
REV.NO.	ECN #	DESCRIPTION	DATE	APPROVED BY

THIS DOCUMENT CONTAINS INFORMATION PROPRIETARY TO PEAK PLASTIC & METAL PRODUCTS (INTERNATIONAL) LIMITED REPRODUCTION DISCLOSURE OR USE OF THIS DOCUMENT IS EXPRESSLY PROHIBITED EXCEPT OTHERWISE AGREED UPON IN WRITING.

DRAWN BY : Qifang	PAGE 2 OF 2
CHECKED BY :	DATE : 13 OCT 97
APPROVED BY :	DATE : 13 OCT 97
APPROVED BY :	DATE : 13 OCT 97
DO NOT SCALE DRAWING	CODE : CYA00601

CUSTOMER :	PEAK	
TITLE :	ND 1010 1.0 0820 8 REV.A	
DWG NO.:	ND 1010 1.0 0820 8 REV.A	REV. 17