

TENTATIVE TOSHIBA CMOS DIGITAL INTEGRATED CIRCUIT SILICON MONOLITHIC

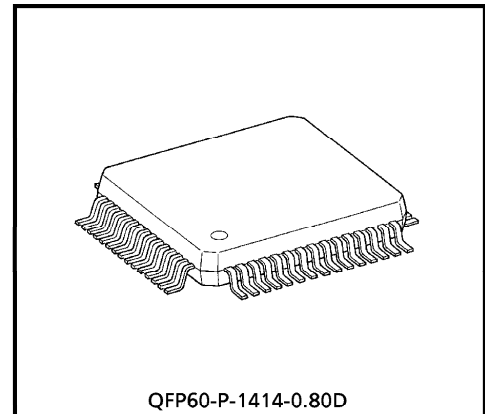
TC9411F

CD GRAPHICS DECODER

TC9411F is a CMOS LSI which integrates on a single chip signal processing necessary for playing back CD graphics. TC9411F loads subcode data output from CD player processor TC9236AF or TC9284BF, de-interleaves, corrects errors, decides instructions, performs graphic processing, and outputs composite video signals.

FEATURES

- Configures a CD graphics decoder in two chips with external DRAM (64K words×4 bits).
- Supports crystal oscillation function switchable between two standards, NTSC and PAL.
- Subcode interface function conforms to EIAJ. Performs, for the loaded subcode data, block sync protection, insertion, de-interleave, error detection and error correction.
- Performs instruction processing and graphic processing for TV graphics and line graphics to control display images.
- Using built-in 8 bits video signal DAC, outputs analog signals for composite video.
- Using video DAC stop mode, reduces power consumption during no graphics processing.
- Using serial-type microcontroller interface, fine adjustment of display position and setting of background color are possible.
- Basic operation possible without microcontroller.
- 60 pin flat package.



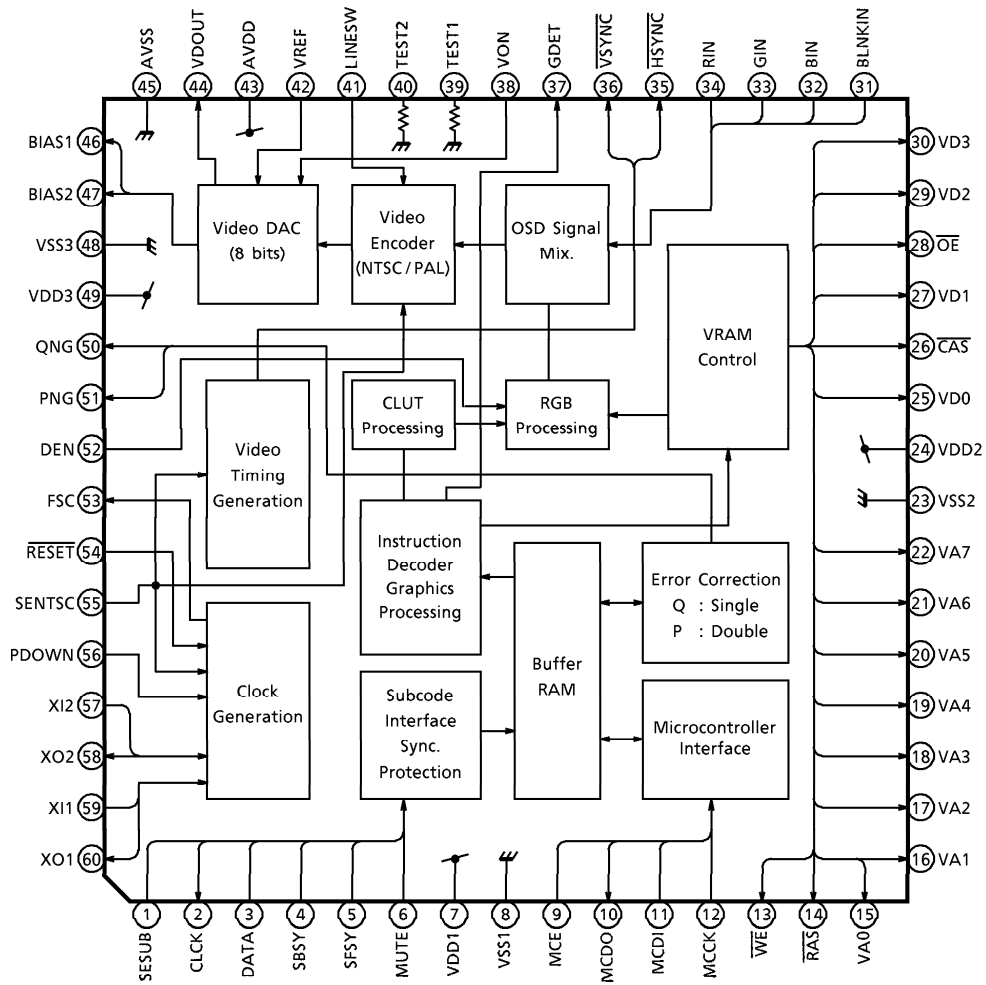
QFP60-P-1414-0.80D

Weight : 1.08g (Typ.)

980508EBA2

- TOSHIBA is continually working to improve the quality and the reliability of its products. Nevertheless, semiconductor devices in general can malfunction or fail due to their inherent electrical sensitivity and vulnerability to physical stress. It is the responsibility of the buyer, when utilizing TOSHIBA products, to observe standards of safety, and to avoid situations in which a malfunction or failure of a TOSHIBA product could cause loss of human life, bodily injury or damage to property. In developing your designs, please ensure that TOSHIBA products are used within specified operating ranges as set forth in the most recent products specifications. Also, please keep in mind the precautions and conditions set forth in the TOSHIBA Semiconductor Reliability Handbook.
- The products described in this document are subject to foreign exchange and foreign trade laws.
- The information contained herein is presented only as a guide for the applications of our products. No responsibility is assumed by TOSHIBA CORPORATION for any infringements of intellectual property or other rights of the third parties which may result from its use. No license is granted by implication or otherwise under any intellectual property or other rights of TOSHIBA CORPORATION or others.
- The information contained herein is subject to change without notice.

BLOCK DIAGRAM



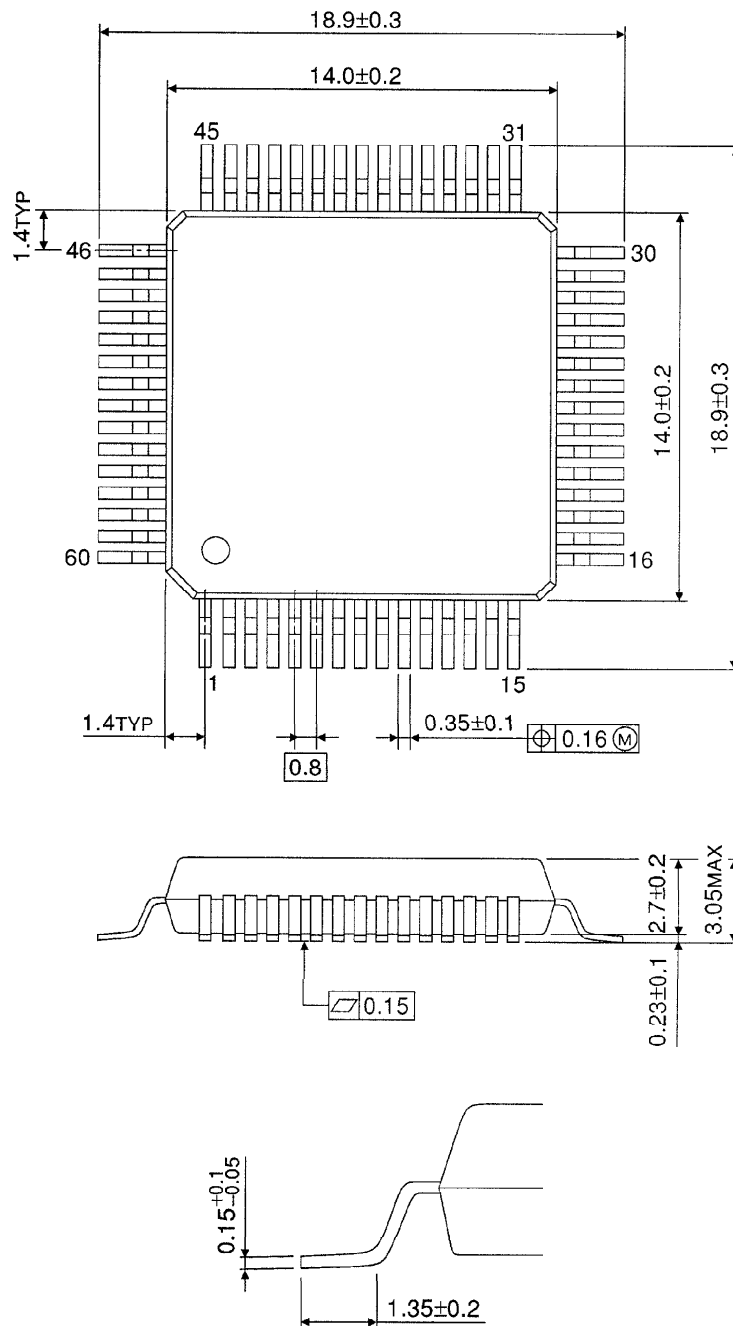
PIN FUNCTIONS

PIN No.	SYMBOL	I/O	FUNCTIONAL DESCRIPTION	REMARKS
1	SESUB	I	Subcode I/F select terminal. ("L" = EIAJ1, "H" = EIAJ2)	
2	CLCK	O	Subcode data transfer clock output terminal.	
3	DATA	I	Playback subcode data (R~W) input terminal.	
4	SBSY	I	Playback subcode block signal input terminal.	
5	SFSY	I	Playback subcode frame signal input terminal.	
6	MUTE	I	Playback subcode data invalid status input terminal.	
7	VDD1	—	Digital supply voltage terminal.	
8	VSS1	—	Digital ground terminal.	
9	MCE	I	Serial input (MCSI) and serial output (MCDO) operation enable switch terminal.	
10	MCDO	O	Serial data output terminal.	
11	MCDI	I	Serial data input terminal.	
12	MCCK	I	Serial input (MCSI) and serial output (MCDO) data transfer clock input terminal.	
13	\overline{WE}	O	External DRAM control terminal.	
14	\overline{RAS}	O	External DRAM control terminal.	
15	VA0	O	External DRAM address output terminal.	
16	VA1	O	External DRAM address output terminal.	
17	VA2	O	External DRAM address output terminal.	
18	VA3	O	External DRAM address output terminal.	
19	VA4	O	External DRAM address output terminal.	
20	VA5	O	External DRAM address output terminal.	
21	VA6	O	External DRAM address output terminal.	
22	VA7	O	External DRAM address output terminal.	
23	VSS2	—	Digital ground terminal.	
24	VDD2	—	Digital supply voltage terminal.	
25	VD0	I/O	External DRAM data I/O terminal.	
26	\overline{CAS}	O	External DRAM control terminal.	
27	VD1	I/O	External DRAM data I/O terminal.	
28	\overline{OE}	O	External DRAM control terminal.	
29	VD2	I/O	External DRAM data I/O terminal.	
30	VD3	I/O	External DRAM data I/O terminal.	
31	BLNKIN	I	OSD blanking control terminal. ("H" = OSD)	
32	BIN	I	OSD color B control terminal. ("H" = OSD)	
33	GIN	I	OSD color G control terminal. ("H" = OSD)	
34	RIN	I	OSD color R control terminal. ("H" = OSD)	
35	\overline{HSYNC}	O	Composite sync. signal output terminal.	
36	\overline{VSYNC}	O	Vertical sync. signal output terminal.	

PIN No.	SYMBOL	I/O	FUNCTIONAL DESCRIPTION	REMARKS
37	GDET	O	CDG data detect flag output terminal. ("L" = not detected, "H" = CDG detected)	
38	VON	I	DAC operation stop select terminal. ("L" = DAC stop, "H" = DAC output)	
39	TEST1	I	Test terminal. Normally, keep at "L" level or open.	With pull-down resistor
40	TEST2			
41	LINESW	I	Number of lines select terminal. NTSC mode : "L" = 262 lines, "H" = 263 lines PAL mode : "L" = 312 lines, "H" = 314 lines	
42	VREF	I	DAC output amplitude control voltage apply terminal. (amplitude = VDD - VREF)	
43	AVDD	—	Analog supply voltage terminal. (for DAC)	
44	VDOOUT	O	Composite video output terminal. (8 bits DAC output)	
45	AVSS	—	Analog ground terminal. (for DAC)	
46	BIAS1	O	DAC bias output terminal. (Connect capacitor for rejection ripple.)	
47	BIAS2	O	DAC bias output terminal. (Connect capacitor for rejection ripple.)	
48	VSS3	—	Digital ground terminal.	
49	VDD3	—	Digital supply voltage terminal.	
50	QNG	O	Q row correction error status output terminal. ("L" = OK, "H" = error)	
51	PNG	O	P row correction error status output terminal. ("L" = OK, "H" = error)	
52	DEN	I	CDG display select terminal. ("L" = CD graphics, "H" = BGC)	
53	FSC	O	Color sub-carrier wave clock output terminal.	
54	RESET	I	Reset terminal.	
55	SENTSC	I	NTSC mode / PAL mode select terminal. ("L" = PAL, "H" = NTSC)	
56	PDOWN	I	Standby mode select terminal. ("H" = clock stop)	
57	XI2	I	Crystal oscillator connecting terminal. (for PAL : 17.734476MHz)	With feedback resistor
58	XO2	O		
59	XI1	I	Crystal oscillator connecting terminal. (for NTSC : 14.31818MHz)	With feedback resistor
60	XO1	O		

OUTLINE DRAWING
QFP60-P-1414-0.80D

Unit : mm



Weight : 1.08g (Typ.)