

TEW5694 is designed and approved to be used, as a transmit transformer in CEPT applications with the following devices:

- STC TEL5219L

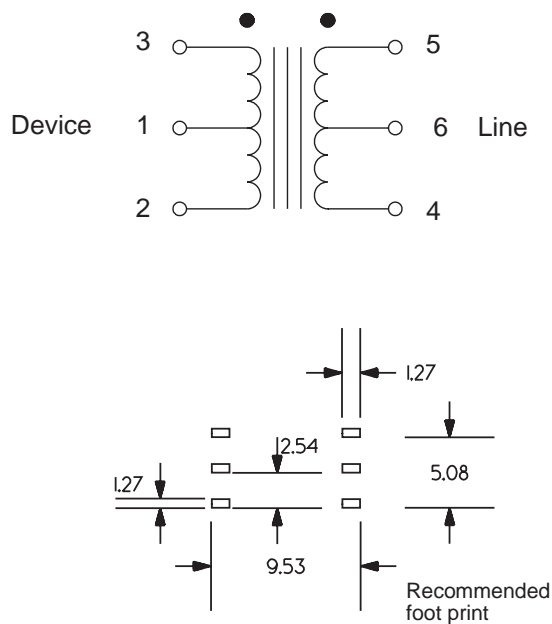
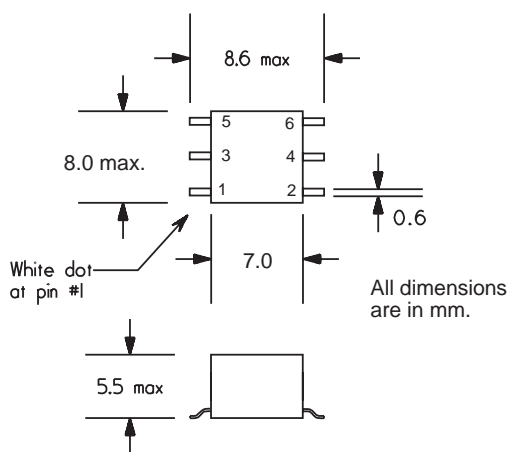
Complies with CCITT G.703 and I.431, with regards to Longitudinal Balance, Pulse Mask and Impedance

Typical applications are:

- Primary rate ISDN network nodes.
- PBX or computer to T1/CEPT Digital Trunks.
- TDM Multiplexers.



MECHANICAL



ELECTRICAL SPECIFICATION

TEW5694

Line Impedance	(4 - 5)	120 Ω
Turns ratio	(2 - 3) : (4 - 5)	2.7 : 1
Inductance (mH)	(2 - 1) & (1 - 3)	> 2.8
Leakage Ind. (μH)	(2 - 3)	< 5.0
Longitud. Bal.	@1000 KHz	> 45 dB
Pulse Mask		G.703
Dielectric Strength (Vrms)		1500

ISSUE: A 96/04/04 TEW5694.chp