

**VI TELE FILTER****Filter Specification****TFS868F****1/5****Measurement condition**

Ambient temperature: 23 °C  
 Input power level: 0 dBm  
 Terminating impedances\*: input: 63Ω // -1,50 pF  
 output: 63Ω // -1,50 pF

**Characteristics****Remark:**

Reference level for the relative attenuation  $a_{rel}$  of the TFS 868F is the minimum of the pass band attenuation  $a_{min}$ . The minimum of the pass band attenuation  $a_{min}$  is defined as the insertion loss  $a_e$ . The centre frequency  $f_c$  is the arithmetic mean value of the upper and lower frequencies at the 3 dB filter attenuation level relative to the insertion loss  $a_e$ . The nominal frequency  $f_N$  is fixed at 868,30 MHz without tolerance. The given values for the relative attenuation  $a_{rel}$  have to be reached at the frequencies given below even if the centre frequency  $f_c$  is shifted due to the temperature coefficient of frequency  $TC_f$  in the operating temperature range and due to a production tolerance for the centre frequency  $f_c$ .

<b>Data</b>	<b>typ. value</b>	<b>Variation/ Limitation</b>
<b>Insertion loss</b> (Reference level)	$a_e = a_{min}$ 3,6 dB	max. 5,5 dB
<b>Nominal frequency</b>	$f_N$ -	868,30 MHz
<b>Centre frequency</b>	$f_c$ 868,30 MHz	
<b>3 dB bandwidth</b>	BW 1130 kHz	min. 600 kHz
<b>6 dB bandwidth</b>	BW 1300 kHz	min. 800 kHz
<b>Relative attenuation</b>	$a_{rel}$	
$f_N$ ..... $f_N \pm 300,0$ kHz	-	max. 3 dB
$f_N \pm 300,0$ kHz	-	max. 6 dB
$f_N - 3,28$ MHz	32 dB	min. 20 dB
$f_N - 18,30$ MHz	47 dB	min. 32 dB
$f_N - 38,30$ MHz	47 dB	min. 35 dB
$f_N - 168,30$ MHz	55 dB	min. 50 dB
$f_N + 2,70$ MHz	15 dB	min. 11 dB
$f_N + 6,20$ MHz	30 dB	min. 20 dB
$f_N + 14,70$ MHz	45 dB	min. 30 dB
$f_N + 31,70$ MHz	45 dB	min. 35 dB
<b>Temperature coefficient of the frequency</b>	$TC_f^{**})$ -0,036 ppm/k <sup>2</sup>	
<b>Frequency inversion temperature</b>	$T_0$ 25 °C	
<b>Operating temperature range</b>	OTR	- 40 °C ... + 85 °C
<b>Storage temperature range</b>		- 45 °C ... + 90 °C
<b>Input power level</b>		max. 0 dBm

\*) The terminating impedances depend on parasitics and q-values of matching elements and the board used, and are to be understood as reference values only. Should there be additional questions do not hesitate to ask for an application note or contact our design team.

\*\* $\Delta f_c(\text{Hz}) = TC_f(\text{ppm/K}^2) \times (T_0 - T_A)^2 \times f_{cAT}(\text{MHz})$

**Generated** :

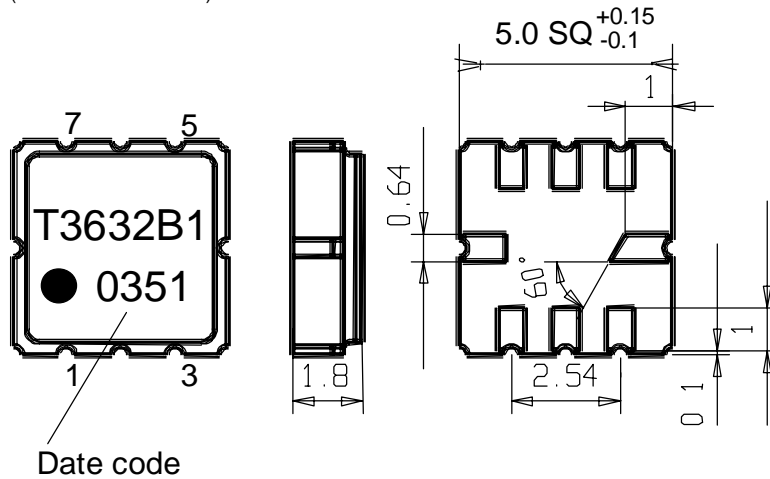
**Checked / approved** :

**Tele Filter GmbH**  
**Potsdamer Straße 18**  
**D 14 513 TELTOW / Germany**  
**Tel: (+49) 3328 4784-0 / Fax: (+49) 3328 4784-30**  
**E-Mail: [tf@telefilter.com](mailto:tf@telefilter.com)**

VI TELEFILTER reserves the right to make changes to the product(s) and/or information contained herein without notice. No liability is assumed as a result of their use or application. No rights under any patent accompany the sale of any such product(s) or information

### Construction, pin configuration and 50 Ω - matching network

(All dimensions in mm)

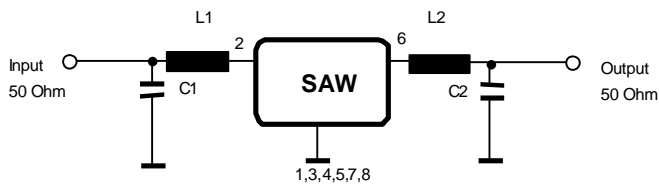


Date code

Date code: Year+week

Pin 1	Ground	Pin 5	Ground
Pin 2	Input	Pin 6	Output
Pin 3	Ground	Pin 7	Ground
Pin 4	Ground	Pin 8	Ground

### 50 Ohm Test circuit



**Stability Characteristics**

After the following tests, the filter shall meet the whole specification:

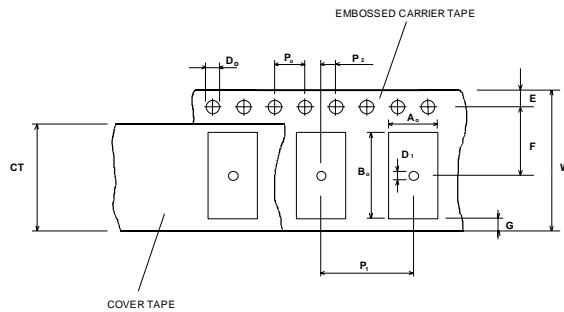
1. Shock: 500g, 18 ms, half sine wave, 3 shocks each plane;  
DIN IEC 68 T2 - 27
2. Vibration: 10 Hz to 500 Hz, 0,35 mm or 5g respectively, 1 octave per min, 10 cycles per plan, 3 plans;  
DIN IEC 68 T2 - 6
3. Change of temperature: -55 °C to 125°C / 30 min. each / 10 cycles  
DIN IEC 68 part 2 – 14 Test N
4. Resistance to solder heat (reflow): reflow possible: twice max.;;  
for temperature conditions, please refer to the attached "Air reflow temperature conditions" on page 4

**Packing**

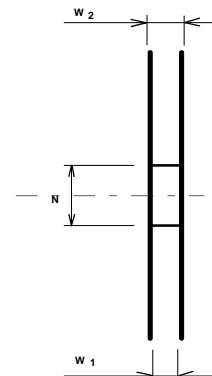
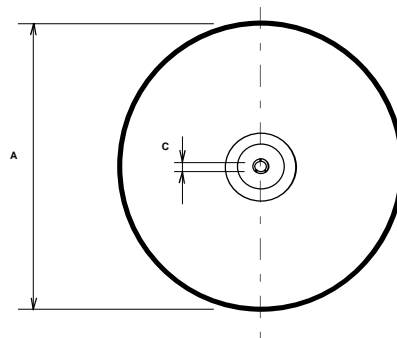
Tape & Reel: IEC 286 - 3, with exception of value for N and minimum bending radius;  
tape type II, embossed carrier tape with top cover tape on the upper side;  
max. pieces of filters per reel: 3000  
reel of empty components at start: min 300 mm  
reel of empty components at start including leader: min 500 mm  
trailer: min 300 mm

**Tape (all dimensions in mm)**

W	: 12 ± 0,3
Po	: 4 ± 0,1
Do	: 1,5 + 0,1
E	: 1,75 ± 0,1
F	: 5,5 ± 0,05
G (min)	: 0,75
P2	: 2 ± 0,05
P1	: 8 ± 0,1
D1(min)	: 1,5
Ao	: 5,3 ± 0,1
Bo	: 5,3 ± 0,1
CT	: 9,5 ± 0,1

**Reel (all dimensions in mm):**

A	: 330
W1	: 12,4 + 0,2
W2 (max)	: 18,4
N (min)	: 50
C	: 13 ± 0,2



The minimum bending radius is 45 mm. The mounting surface of the filters faces the bottom side of the embossed carrier tape. Markings on the filters can be read if the upper side of the carrier tape is regarded with the sprocket holes on its right.

Tele Filter GmbH  
Potsdamer Straße 18  
D 14 513 TELTOW / Germany  
Tel: (+49) 3328 4784-0 / Fax: (+49) 3328 4784-30  
E-Mail: [tft@telefilter.com](mailto:tft@telefilter.com)

VI TELEFILTER reserves the right to make changes to the product(s) and/or information contained herein without notice. No liability is assumed as a result of their use or application. No rights under any patent accompany the sale of any such product(s) or information

## Air reflow temperature conditions

## 1st and 2nd air reflow profile

Name:	pre-heating periods	main-heating periods	peak temperature
Temperature:	150 °C - 170 °C	over 200 °C	255 °C ± 5 °C
Time:	60 sec. - 90 sec.	20 sec. - 25 sec.	

## Chip-mount air reflow profile

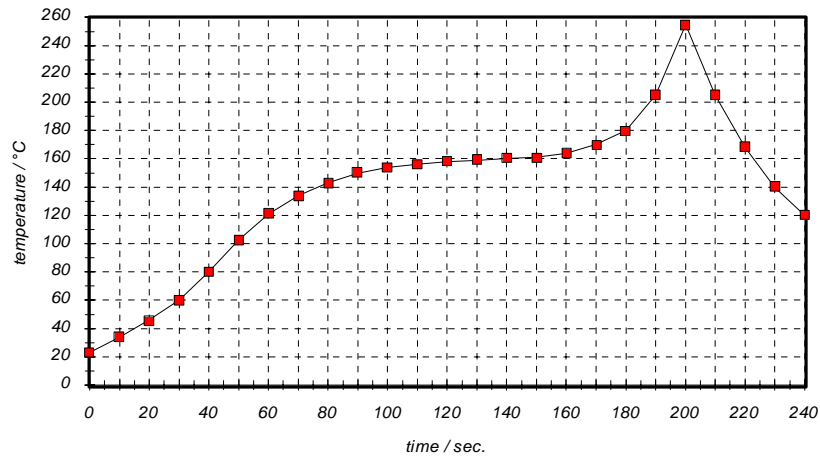


Table for temperature vs. time during the air reflow process

Tolerance of temperatures: ± 5 °C

time / sec.	temperature / °C	time / sec.	temperature / °C
0	23	140	160
10	34	150	161
20	46	160	164
30	60	170	170
40	80	180	180
50	103	190	205
60	121	195	230
70	134	200	255
80	143	205	230
90	150	210	205
100	154	215	180
110	156	220	165
120	158	230	140
130	159	240	120

**History**

<b>Version</b>	<b>Reason of Changes</b>	<b>Name</b>	<b>Date</b>
1.0	- generation of filter specification according to customer specification	Dr. Sabah	30.09.2003
1.1	- change of filter marking	Dr. Sabah	25.11.2003
1.2	- correction of pinning	Roizengaft	8.12.2003
1.3	- change of package marking	Roizengaft	19.12.2003
1.4	- correct of typical values	Dr. Sabah	09.01.2004