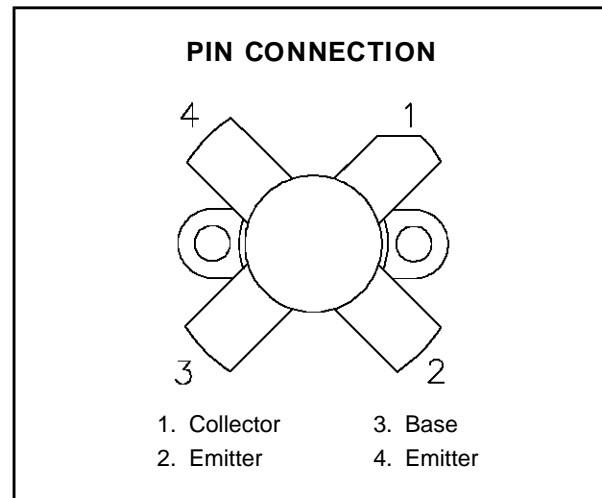
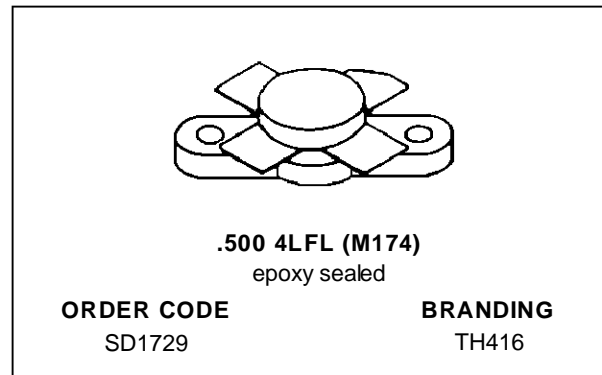


RF & MICROWAVE TRANSISTORS HF SSB APPLICATIONS

- OPTIMIZED FOR SSB
- 30 MHz
- 28 VOLTS
- IMD -30 dB
- COMMON EMITTER
- GOLD METALLIZATION
- P_{OUT} = 130 W PEP WITH 12 dB GAIN



DESCRIPTION

The SD1729 is a Class AB 28 V epitaxial silicon NPN planar transistor designed primarily for SSB communications. This device utilizes emitter ballasting to achieve extreme ruggedness under severe operating conditions.

ABSOLUTE MAXIMUM RATINGS (T_{case} = 25°C)

Symbol	Parameter	Value	Unit
V _{CBO}	Collector-Base Voltage	70	V
V _{CEO}	Collector-Emitter Voltage	35	V
V _{EBO}	Emitter-Base Voltage	4.0	V
I _C	Device Current	12	A
P _{DISS}	Power Dissipation	175	W
T _J	Junction Temperature	+200	°C
T _{STG}	Storage Temperature	- 65 to +150	°C

THERMAL DATA

R _{TH(j-c)}	Junction-Case Thermal Resistance	1.0	°C/W
----------------------	----------------------------------	-----	------

SD1729 (TH416)

ELECTRICAL SPECIFICATIONS ($T_{\text{case}} = 25^{\circ}\text{C}$)

STATIC

Symbol	Test Conditions		Value			Unit
			Min.	Typ.	Max.	
BV_{CES}	$I_{\text{C}} = 50 \text{ mA}$	$V_{\text{BE}} = 0 \text{ V}$	70	—	—	V
BV_{CEO}	$I_{\text{C}} = 100 \text{ mA}$	$I_{\text{B}} = 0 \text{ mA}$	35	—	—	V
BV_{EBO}	$I_{\text{E}} = 20 \text{ mA}$	$I_{\text{C}} = 0 \text{ mA}$	4.0	—	—	V
I_{CES}	$V_{\text{CE}} = 35 \text{ V}$	$I_{\text{E}} = 0 \text{ mA}$	—	—	20	mA
h_{FE}	$V_{\text{CE}} = 5 \text{ V}$	$I_{\text{C}} = 7 \text{ A}$	18	—	50	—

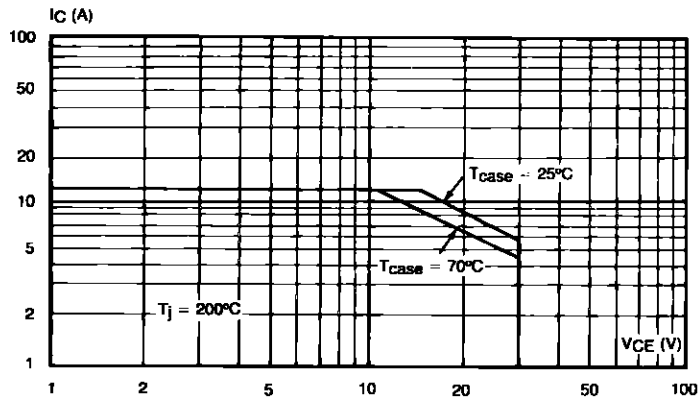
DYNAMIC

Symbol	Test Conditions			Value			Unit
				Min.	Typ.	Max.	
P_{OUT}	$f = 30 \text{ MHz}$	$V_{\text{CE}} = 28 \text{ V}$	$I_{\text{CQ}} = 150 \text{ mA}$	130	—	—	W
G_{P}	$P_{\text{OUT}} = 130 \text{ W PEP}$	$V_{\text{CE}} = 28 \text{ V}$	$I_{\text{CQ}} = 150 \text{ mA}$	12	—	—	dB
IMD*	$P_{\text{OUT}} = 130 \text{ W PEP}$	$V_{\text{CE}} = 28 \text{ V}$	$I_{\text{CQ}} = 150 \text{ mA}$	—	—	-30	dBc
η_{C}	$P_{\text{OUT}} = 130 \text{ W PEP}$	$V_{\text{CE}} = 28 \text{ V}$	$I_{\text{CQ}} = 150 \text{ mA}$	37	—	—	%
C_{OB}	$f = 1 \text{ MHz}$	$V_{\text{CB}} = 28 \text{ V}$		—	220	—	pF

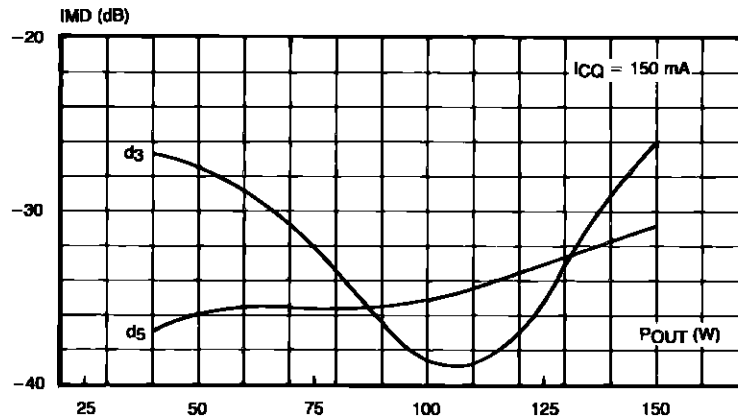
Note: * $f_1 = 30.00 \text{ MHz}$, $f_2 = 30.001 \text{ MHz}$

TYPICAL PERFORMANCE

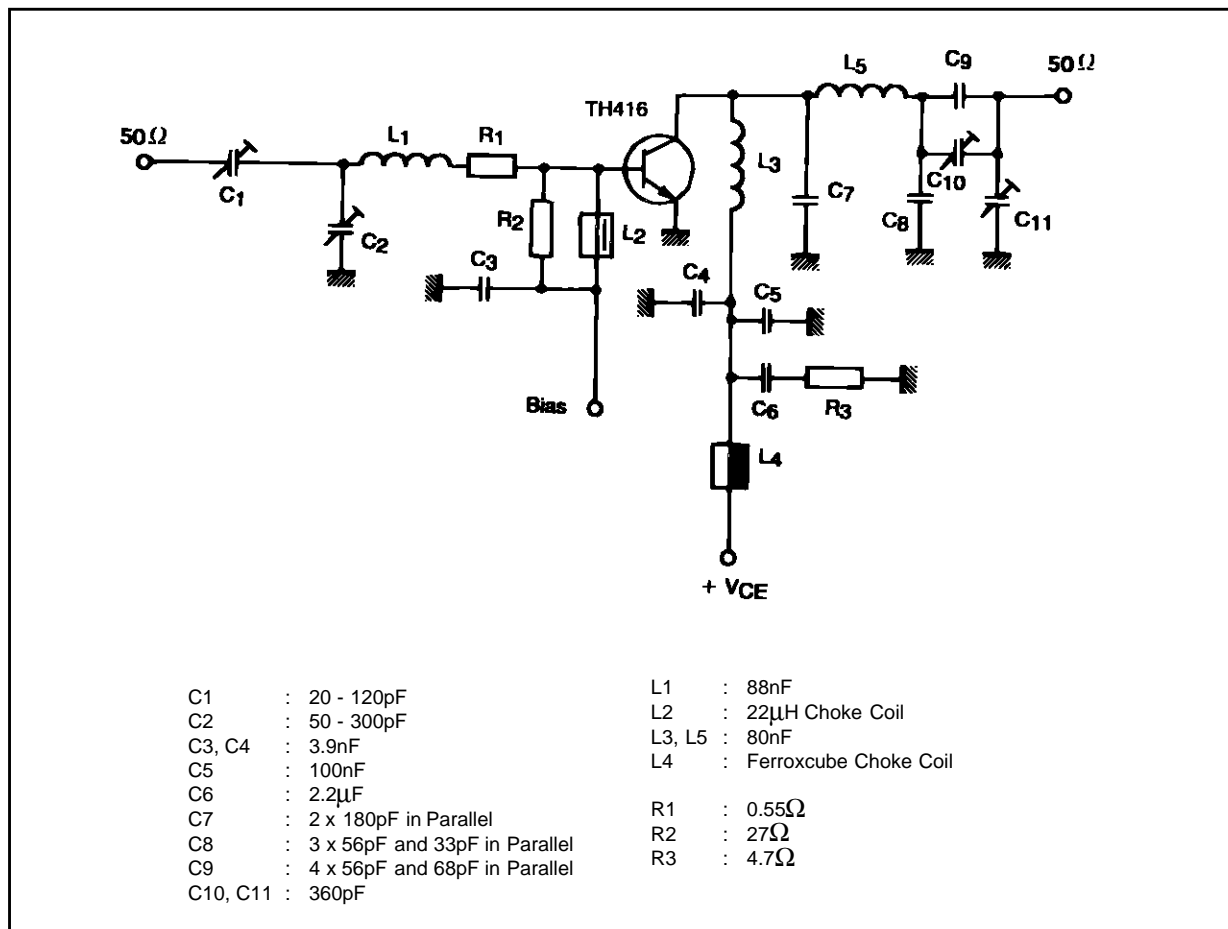
SAFE OPERATING AREA



TYPICAL PERFORMANCE (cont'd)

INTERMODULATION DISTORTION vs
POWER OUTPUT

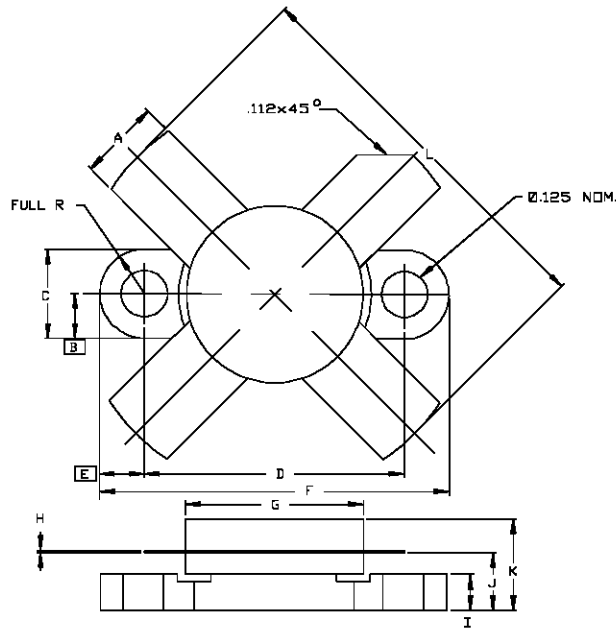
TEST CIRCUIT



SD1729 (TH416)

PACKAGE MECHANICAL DATA

Ref.: Dwg. No.12-0174



SGS-THOMSON MICROELECTRONICS		CONT'D			
	MINIMUM Inches/mm	MAXIMUM Inches/mm		MINIMUM Inches/mm	MAXIMUM Inches/mm
A	.220/5,59	.230/5,84	K		.280/7,11
B	.125/3,18		L		1.050/26,67
C	.245/6,22	.255/6,48			
D	.720/18,28	.730/18,54			
E	.125/3,18				
F	.970/24,64	.980/24,89			
G	.495/12,57	.505/12,83			
H	.003/0,08	.007/0,18			
I	.090/2,29	.110/2,79			
J	.160/4,06	.175/4,45			

Information furnished is believed to be accurate and reliable. However, SGS-THOMSON Microelectronics assumes no responsibility for the consequences of use of such information nor for any infringement of patents or other rights of third parties which may results from its use. No license is granted by implication or otherwise under any patent or patent rights of SGS-THOMSON Microelectronics. Specifications mentioned in this publication are subject to change without notice. This publication supersedes and replaces all information previously supplied. SGS-THOMSON Microelectronics products are not authorized for use as critical components in life support devices or systems without express written approval of SGS-THOMSON Microelectronics.

© 1994 SGS-THOMSON Microelectronics - All Rights Reserved

SGS-THOMSON Microelectronics GROUP OF COMPANIES
 Australia - Brazil - France - Germany - Hong Kong - Italy - Japan - Korea - Malaysia - Malta - Morocco - The Netherlands -
 Singapore - Spain - Sweden - Switzerland - Taiwan - Thailand - United Kingdom - U.S.A