

ILLUMINATED SWITCHES

TP 5100: UNI AND TRI-COLOUR ILLUMINATED SWITCH



FEATURES

- 17.6mm square keytop, momentary action
- Full surface illumination with dimple buttons
- Choice of single colour (red, green, yellow) LED illumination
- Optional programmable tri-colour LED illumination
- PCB mounting (2.5mm pitch) and panel mount options

DESCRIPTION

The TP 5100 series is a range of very high performance LED illuminated pushbutton key switches, designed and constructed for medium current PCB mounting applications. The switch consists of an LED built into the keycap unit and a switch body using gold over silver-clad electrical contacts.

SPECIFICATIONS

Electrical

Rating	12V DC 100mA
Contact Resistance	100mΩ max
Insulation Resistance	100MΩ min @ 100V DC
Dielectric Strength	250V AC for 1 minute

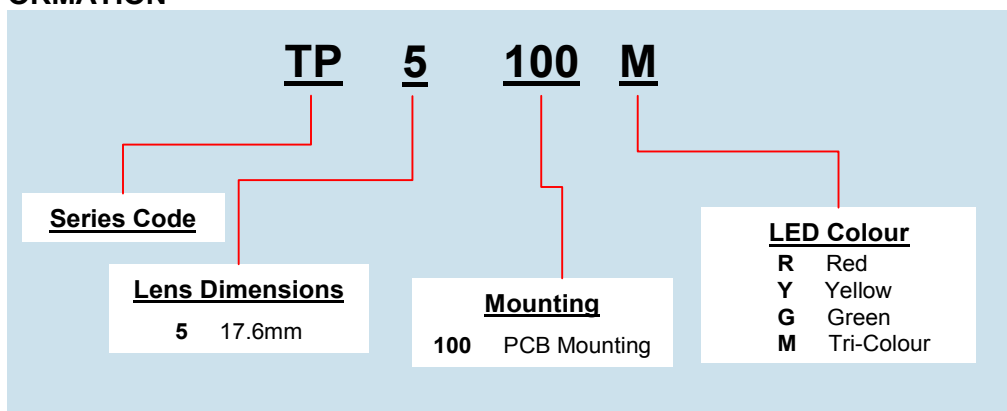
Mechanical

Operating Life	1 million operations
Operating Temp	-10°C to +50°C
Operating Force	2.0N +/- 0.1N

Electrical Performance – LED

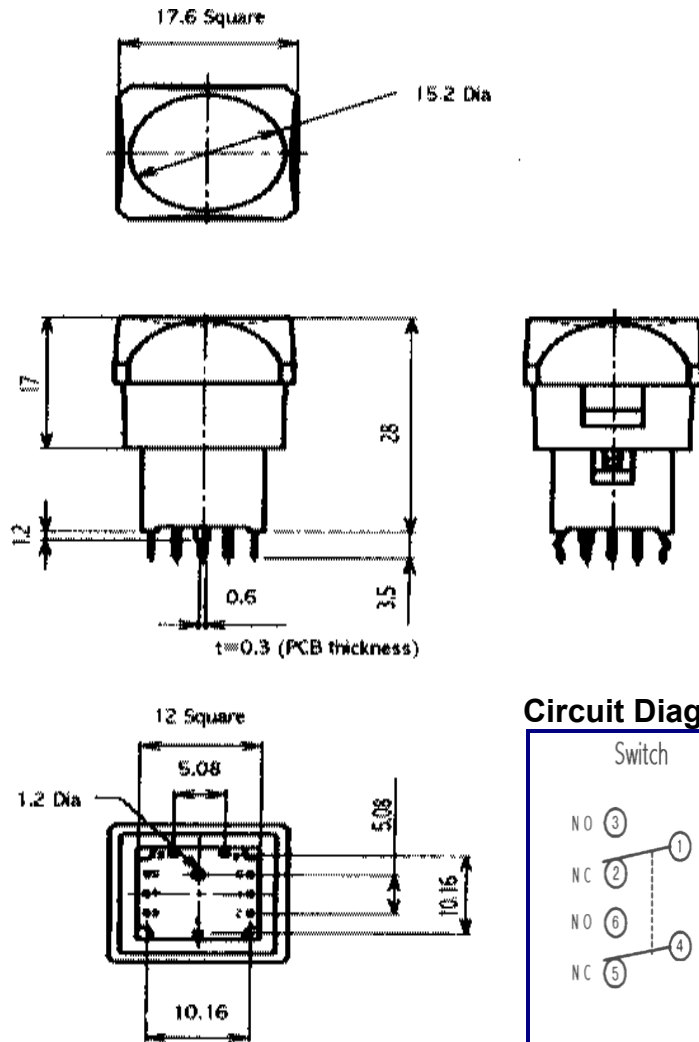
VR (Peak Reverse Voltage)	12 VDC
IFM (Max Forward Current)	50mA max
VF (Forward Voltage)	Red = 3.9 VDC Green = 4.2 VDC Yellow = 4.0 VDC
IF (Rec Operating Current)	30mA

ORDERING INFORMATION

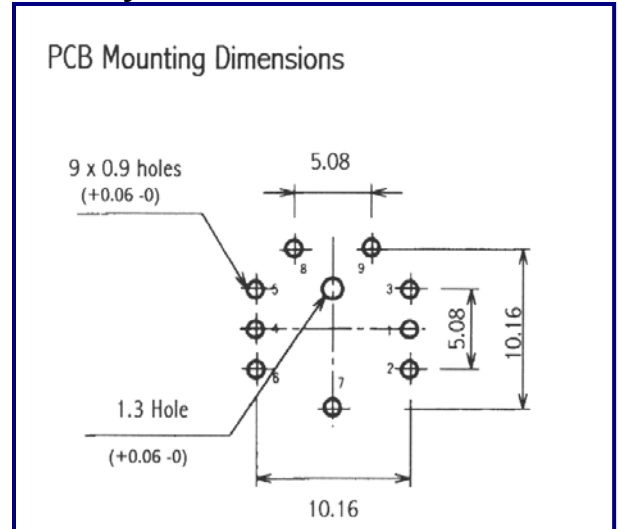


ILLUMINATED SWITCHES

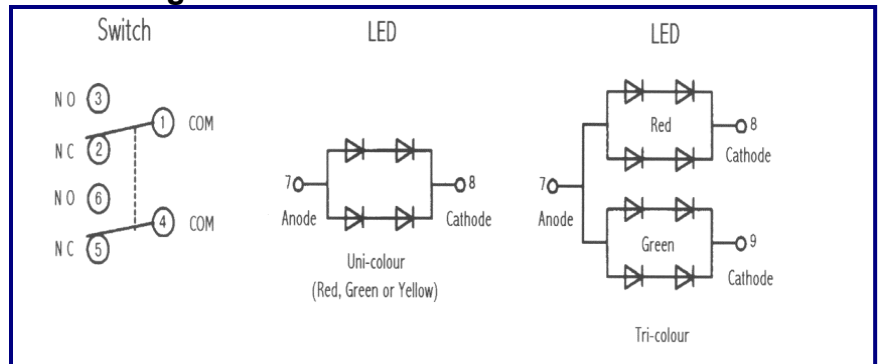
DIMENSIONS



PCB Layout



Circuit Diagrams



All measurements are in mm. Tolerance +/- 0.3mm unless shown. This leaflet is believed to contain the best information at time of printing, but is subject to change without notice.



Devlin Electronics Limited, Unit D1, Grafton Way, Basingstoke, Hants, RG22 6HZ, England

Telephone 01256 467367 email sales@devlincomponents.co.uk Website www.devlincomponents.co.uk