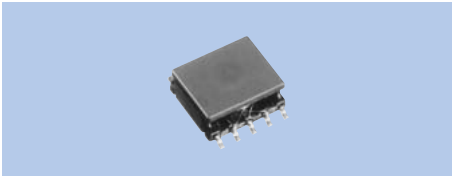


# Transformers for Inverter or Converter TR Series

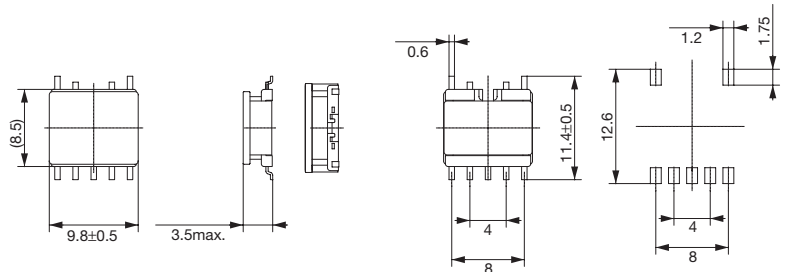
Coils, Filters

## TR9-B-S

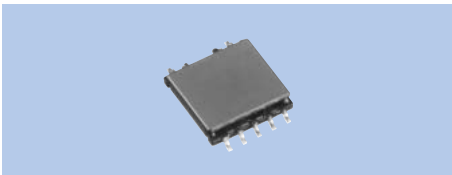


**Specifications**  
(1) –  
(2) 10~300kHz  
(3) 1W

**Features**  
SMD  
500pcs./Reel

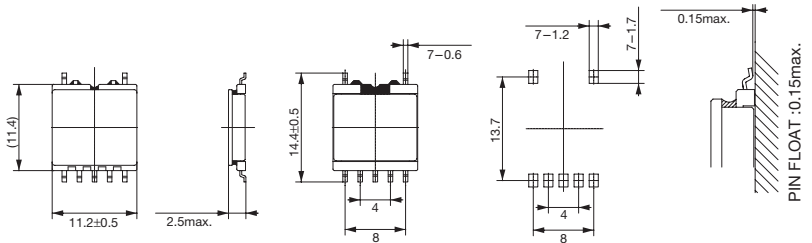


## TR11-D-S

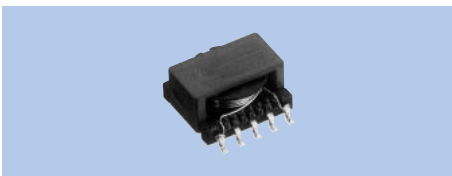


**Specifications**  
(1) –  
(2) 10~300kHz  
(3) 1W

**Features**  
SMD  
500pcs./Reel



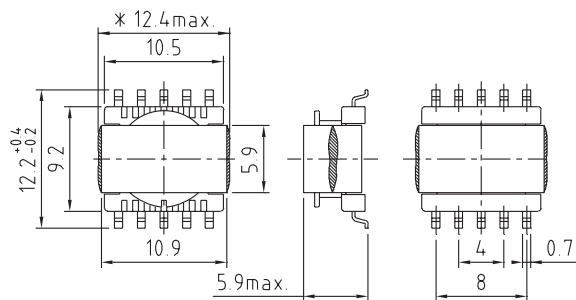
## TR11-A-S



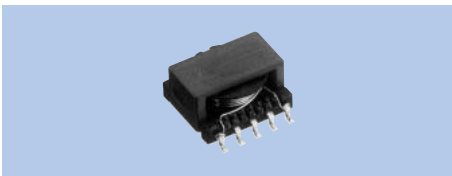
**Specifications**  
(1) –  
(2) 10~300kHz  
(3) 2W

**Features**  
SMD  
500pcs./Reel

Dimensions marked with an asterisk(\*) include adhesive overflow.

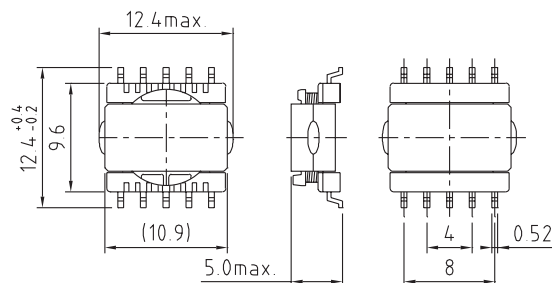


## TR11-A1-S



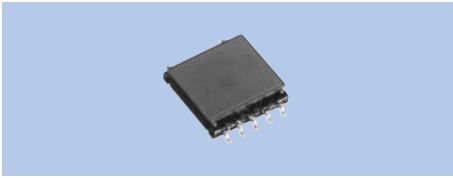
**Specifications**  
(1) –  
(2) 10~300kHz  
(3) 1.5W

**Features**  
SMD  
500pcs./Reel



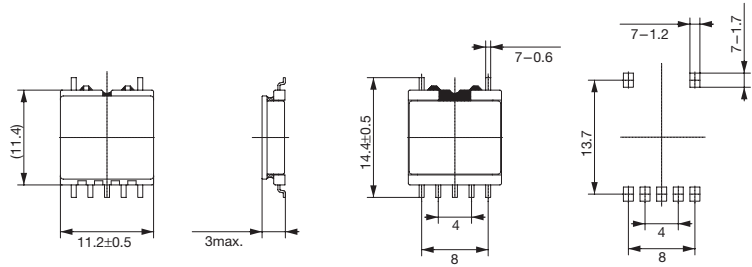
(1) Inductance  
(2) Operational frequency  
(3) Power Capacity

TR11-C-S

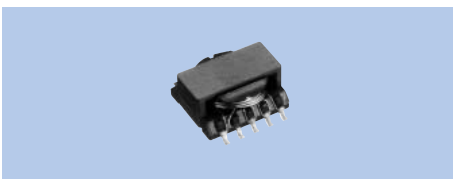


**Specifications**  
 (1) -  
 (2) 10~300kHz  
 (3) 1.3W

**Features**  
 SMD  
 500pcs./Reel

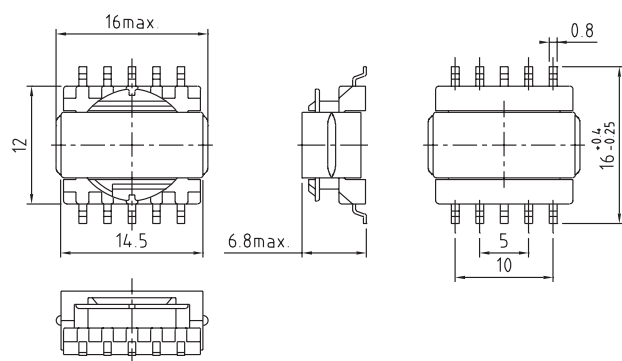


TR14-A-S



**Specifications**  
 (1) -  
 (2) 10~300kHz  
 (3) 3.0W

**Features**  
 SMD

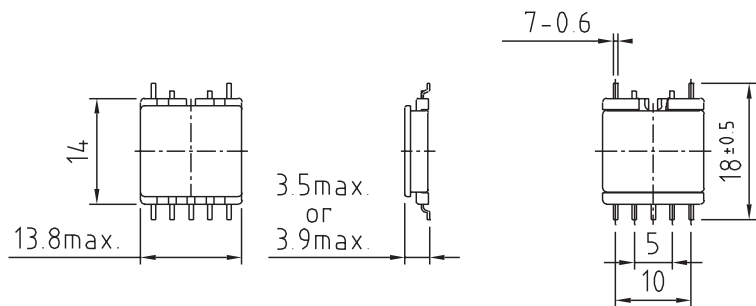


TR14-C-S

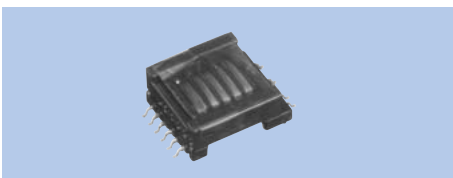


**Specifications**  
 (1) -  
 (2) 10~300kHz  
 (3) 2W

**Features**  
 SMD

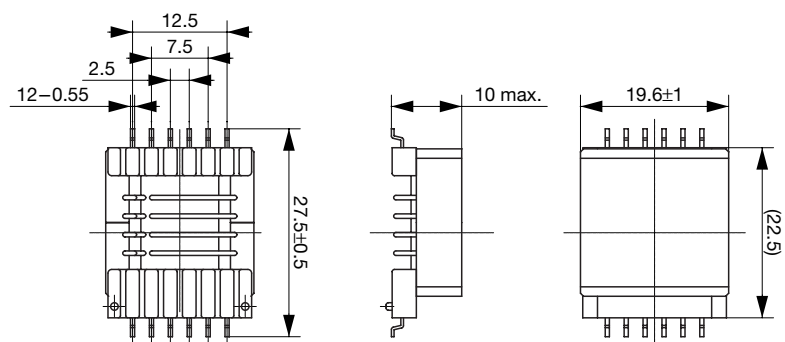


TR21-A-S



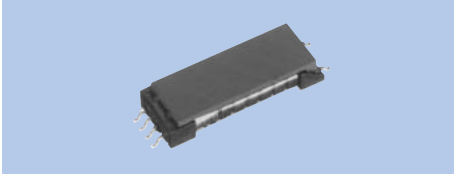
**Specifications**  
 (1) -  
 (2) 10~300kHz  
 (3) 8W

**Features**  
 SMD



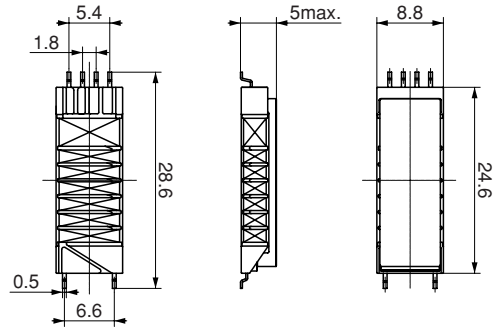
(1) Inductance  
 (2) Operational frequency  
 (3) Power Capacity

**TR25-A-S**

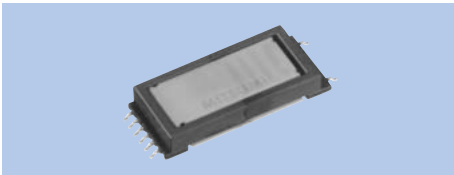


**Specifications**  
 (1) –  
 (2) 10~300kHz  
 (3) 4W

**Features**  
 SMD

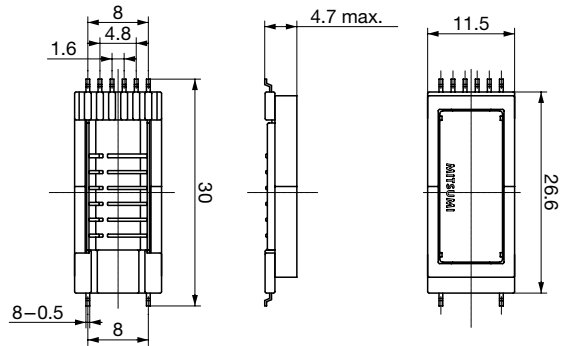


**TR26-A-S**

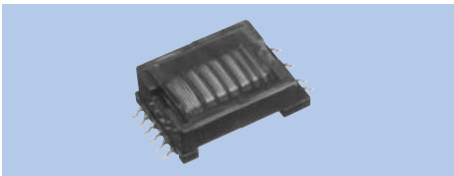


**Specifications**  
 (1) –  
 (2) 10~300kHz  
 (3) 3W

**Features**  
 SMD

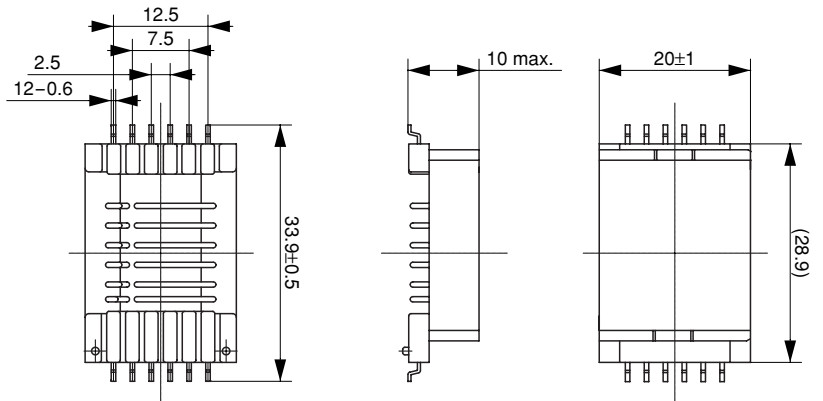


**TR29-A-S**



**Specifications**  
 (1) –  
 (2) 10~300kHz  
 (3) 12W

**Features**  
 SMD



(1) Inductance  
 (2) Operational frequency  
 (3) Power Capacity