



TTRN012G5 (2.5 Gbits/s) and TTRN012G7 (2.5 Gbits/s and 2.7 Gbits/s) Clock Synthesizer, 16:1 Data Multiplexer

Features

- TTRN012G5 supports OC-48/STM-16 data rate
- TTRN012G7 supports:
 - OC-48/STM-16 data rate
 - RS (255, 239) forward error correction (FEC) OC-48/STM-16 data rate
- Fully integrated clock synthesizer and 16:1 data multiplexer
- Supports clockless data transfer into the 16:1 multiplexer
- Parity checking and valid data indication
- Data inversion option
- Additional high-speed CML serial data output for system loopback
- Loss of lock indication
- Single 3.3 V supply
- Available in either MBIC 025 BiCMOS technology or lower-power MBIC 025 silicon germanium BiCMOS technology
- LVPECL 155.52 Mbits/s digital I/O
- Jitter generation and jitter transfer compliant with the following:
 - *Telcordia Technologies** GR-253
 - ITU-T G.825
 - ITU-T G.958

Applications

- SONET/SDH line origination equipment
- SONET/SDH add/drop multiplexers
- SONET/SDH cross connects
- SONET/SDH test equipment
- Digital video transmission

Description

The Lucent Technologies Microelectronics Group TTRN012G5 operates at the OC-48/STM-16 data rate of 2.5 Gbits/s. The TTRN012G7 device operates at either 2.5 Gbits/s or the RS FEC OC-48/STM-16 data rate of 2.7 Gbits/s. For clarity, this data sheet refers to the TTRN012G5 serial data rate as 2.5 Gbits/s and the parallel data and reference clock frequency as 155 MHz. (The precise rates are 2.48832 Gbits/s and 155.52 MHz.) When using the TTRN012G7 at the FEC rate, the 2.5 Gbits/s data rate should be interpreted as 2.7 Gbits/s and the parallel and clock frequency should be interpreted as 166 MHz. (The precise rates are 2.66606 Gbits/s and 166.62 MHz.)

The devices provide a 16:1 multiplexer and clock multiplier unit. Both a high-speed serial clock and data output are generated. The devices accept 16 differential PECL data inputs and a low-speed reference clock. A unique feature of the multiplexer is that no clock is required to feed in the 16 data lines, as long as the upstream data chip clock is synchronous with the device REFCLKP/N input.

Alternatively, contra-clocking may be used, whereby the device provides one of four phases of a 155.52 MHz or 166.62 MHz clock output back upstream to the data chip.

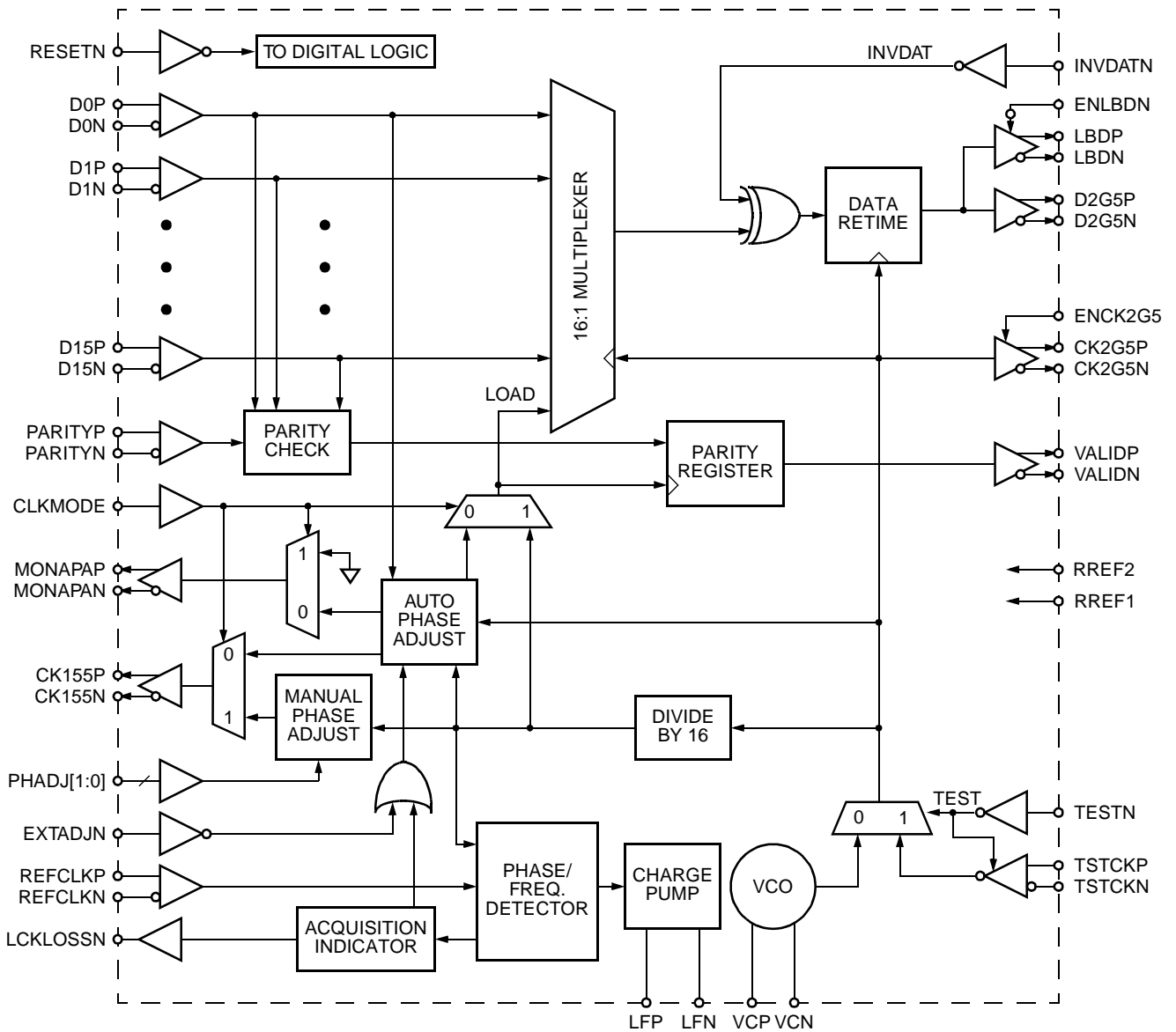
Other features include a parity bit input and parity check on the 16 input data lines, a second 2.5 Gbits/s or 2.7 Gbits/s data output for loopback toward the TRCV012G5 or TRCV012G7 device, and a user-configurable PLL bandwidth. Both devices are available in either BiCMOS or in SiGe BiCMOS technology for lower power operation.

* *Telcordia Technologies* is a registered trademark of Bell Communications Research, Inc.

Table of Contents

Contents	Page
Features	1
Applications	1
Description.....	1
Pin Information	4
Functional Overview	9
Clock Synthesizer Operation	9
Multiplexer Operation.....	11
Clocking Modes and Timing Adjustments	12
Clockless Transfer Mode (CLKMODE, EXTADJN, MONAPAP/N)	12
Contra-Directional Clocking Mode (CLKMODE, PHADJ[1:0])	13
CML Output Structure (Used on Pins D2G5P/N, CK2G5P/N).....	14
Choosing the Value of the External CML Reference Resistors (RREF1, RREF2)	14
Absolute Maximum Ratings.....	15
Handling Precautions	15
Operating Conditions.....	15
Electrical Characteristics	16
Reference Frequency (REFCLKP/N) Specifications.....	16
LVPECL, CMOS, CML Input and Output Pins	17
Timing Characteristics.....	19
Transmit Timing	19
Outline Diagram.....	21
128-Pin QFP	21
Ordering Information.....	22
DS00-375HSPL Replaces DS00-155HSPL to Incorporate the Following Updates.....	22

Description (continued)

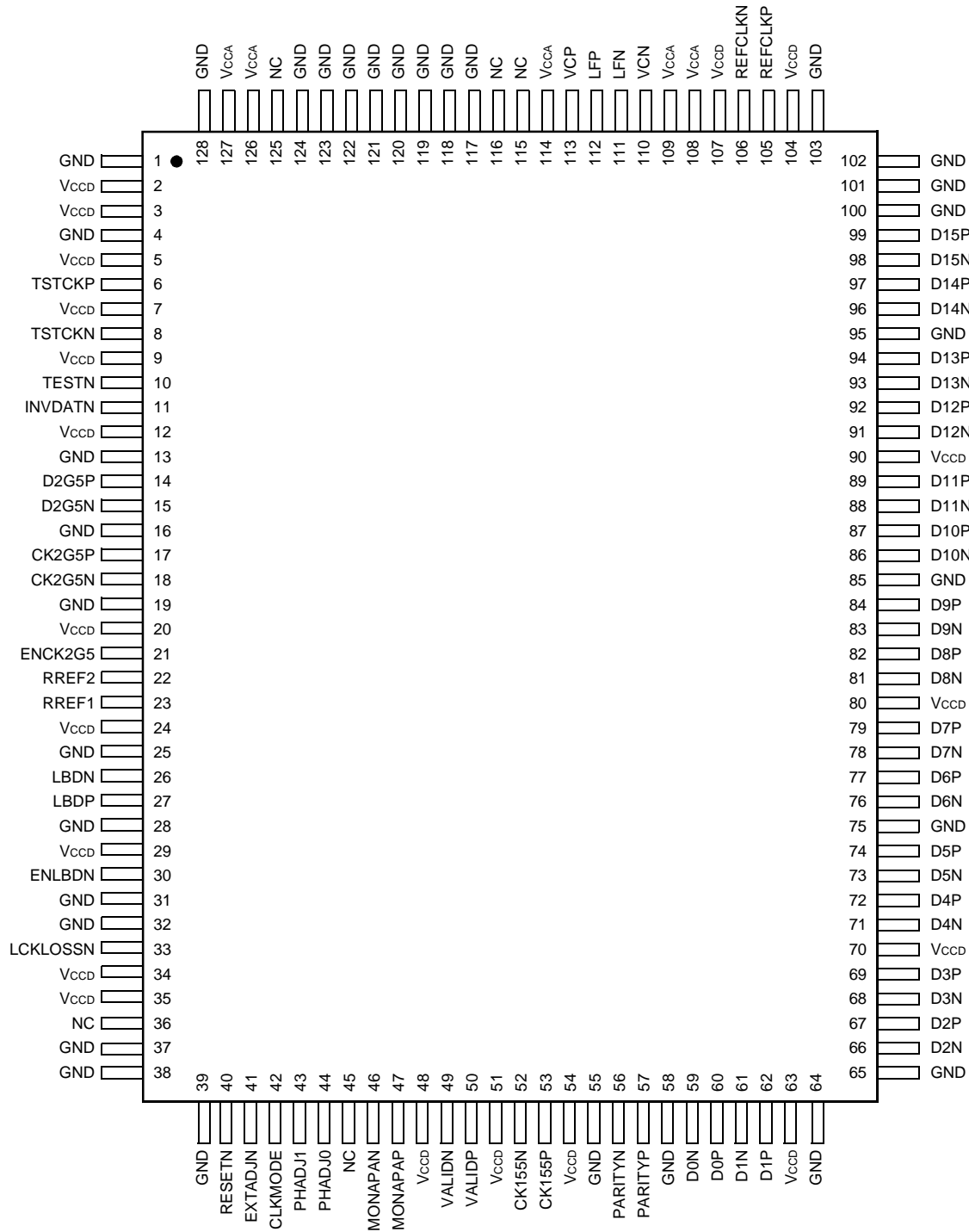


5-8060(F)r.3

Note: Diagram is representative of device functionality and conceptual signal flow. Internal implementation details may be different than shown.

Figure 1. Functional Block Diagram

Pin Information



5-8066(F)r.3

Figure 2. Pin Diagram of 128-Pin QFP (Top View)

Pin Information (continued)

Table 1. Pin Descriptions—2.5 Gbits/s and Related Signals

Note: In Table 1, when operating the TTRN012G7 device at the OC-48/STM-16 rate, 2.5 Gbits/s should be interpreted as 2.48832 Gbits/s. When operating the TTRN012G7 device at the RS FEC OC-48/STM-16 rate, 2.5 Gbits/s should be interpreted as 2.66606 Gbits/s. (A similar interpretation should be made for 2.5 GHz.)

Pin	Symbol*	Type†	Level	Name/Description
14	D2G5P	O	CML	Data Output (2.5 Gbits/s NRZ). 2.5 Gbits/s differential data output.
15	D2G5N			
27	LBDP	O	CML	Loopback Data Output. Additional 2.5 Gbits/s differential data output for system loopback.
26	LBDN			
17	CK2G5P	O	CML	Clock Output (2.5 GHz). 2.5 GHz differential clock output.
18	CK2G5N			
23	RREF1	I	Analog	Resistor Reference 1. CML current bias reference resistor. (See Table 15, page 18 for values.)
22	RREF2	I	Analog	Resistor Reference 2. CML bias reference resistor. Connect a 1.5 kΩ resistor to VCCD.
21	ENCK2G5	I ^u	CMOS	Enable CK2G5P/N Clock Output. 0 = CK2G5P/N buffer powered off 1 or no connection = CK2G5P/N buffer enabled
30	ENLBDN	I ^u	CMOS	Enable LBDP/N Data Output (Active-Low). 0 = LBDP/N buffer enabled 1 or no connection = LBDP/N buffer powered off
11	INVDATN	I ^u	CMOS	Invert D2G5P/N Data Output (Active-Low). 0 = invert 1 or no connection = noninvert

* Differential pairs are indicated by P and N suffixes. For nondifferential pins, N at the end of the symbol name designates active-low.

† I = input, O = output. I^u indicates an internal pull-up resistor on this pin.

Pin Information (continued)

Table 2. Pin Descriptions—155.52 Mb/s and Related Signals

Note: In Table 2, when operating the TTRN012G7 device at the OC-48/STM-16 rate, 155 Mb/s should be interpreted as 155.52 Mb/s. When operating the TTRN012G7 device at the RS FEC OC-48/STM-16 rate, 155 Mb/s should be interpreted as 166.62 Mb/s. (A similar interpretation should be made for 155 MHz.)

Pin	Symbol*	Type†	Level	Name/Description
99	D15P	I	LVPECL	Data Input (155 Mb/s). 155 Mb/s differential data input. D15 is the most significant bit and is transmitted first on the D2G5P/N output.
98	D15N			
97	D14P		LVPECL	
96	D14N			
94	D13P		LVPECL	
93	D13N			
92	D12P		LVPECL	
91	D12N			
89	D11P		LVPECL	
88	D11N			
87	D10P		LVPECL	
86	D10N			
84	D9P		LVPECL	
83	D9N			
82	D8P		LVPECL	
81	D8N			
79	D7P		LVPECL	
78	D7N			
77	D6P		LVPECL	
76	D6N			
74	D5P		LVPECL	
73	D5N			
72	D4P		LVPECL	
71	D4N			
69	D3P		LVPECL	
68	D3N			
67	D2P		LVPECL	
66	D2N			
62	D1P	LVPECL		
61	D1N			
60	D0P	LVPECL		
59	D0N			

* Differential pairs are indicated by P and N suffixes. For nondifferential pins, N at the end of the symbol name designates active-low.

† I = input, O = output. I^u indicates an internal pull-up resistor on this pin.

Pin Information (continued)

Table 2. Pin Descriptions—155.52 Mb/s and Related Signals (continued)

Pin	Symbol*	Type†	Level	Name/Description
53	CK155P	O	LVPECL	Clock Output (155 MHz). 155 MHz differential clock output.
52	CK155N			
43	PHADJ1	I ^u	CMOS	Phase Adjust. Adjusts phase of CK155P/N in 90 degree steps.
44	PHADJ0			
42	CLKMODE	I ^u	CMOS	Clock Mode Select. Selects clockless data transfer mode. 0 = clockless transfer 1 or no connection = contra clock
57	PARITYP	I	LVPECL	Parity Input over Data (D[15:0]).
56	PARITYN			
50	VALIDP	O	LVPECL	Parity Check Output. Validates the input of PARITYP/N. 0 = parity check does not agree with input PARITYP/N pins 1 = parity check agrees
49	VALIDN			
33	LCKLOSSN	O	CMOS	Loss of Lock (Active-Low). 0 = PLL out of lock.
41	EXTADJN	I ^u	CMOS	External Automatic Phase Adjust (Active-Low). Adjusts the 155 MHz clock output, CK155P/N. 0 = adjust phase of 155 MHz clock to data upon next transition of the D0P/N input signal 1 = no adjust Must be held low until the first rising transition of D0P/N.
47	MONAPAP	O	LVPECL	Monitor Automatic Phase Adjust. Indicates when a phase adjustment in the automatic phase adjust block occurs.
46	MONAPAN			
105	REFCLKP	I	LVPECL	Reference Clock Input (155 MHz). This clock is required. When applying the REFCLKP/N, set the REFCLKP/N to one of the following frequencies: <ul style="list-style-type: none"> ■ 155.52 MHz if using the TRCV012G5, or the TRCV012G7 at the 0C-48/STM-16 rate of 2.48832 GHz. ■ 166.62 MHz if using the TRCV012G7 at the RS FEC 0C-48/STM-16 rate of 2.66606 GHz.
106	REFCLKN			
112	LFP	I	Analog	Loop Filter PLL. Connect LFP to VCP, and LFN to VCN.
111	LFN			
113	VCP	I	Analog	VCO Control. Connect VCP to LFP, and VCN to LFN.
110	VCN			

* Differential pairs are indicated by P and N suffixes. For nondifferential pins, N at the end of the symbol name designates active-low.

† I = input, O = output. I^u indicates an internal pull-up resistor on this pin.

Pin Information (continued)

Table 3. Pin Descriptions—Reset and Test Signals

Pin	Symbol*	Type†	Level	Name/Description
40	RESETN	I ^u	CMOS	Reset (Active-Low). Resets all synchronous logic. During a reset, the true data outputs are in the low state and the barred data outputs are in the high state. 0 = reset 1 or no connection = normal operation
6	TSTCKP	I	CML	Test Clock Input. Buffer is powered down when TESTN = 1.
8	TSTCKN			
10	TESTN	I ^u	CMOS	Test Clock Select (Active-Low). 0 = select test clock 1 or no connection = select internal VCO

* Differential pairs are indicated by P and N suffixes. For nondifferential pins, N at the end of the symbol name designates active-low.

† I = input, O = output. I^u indicates an internal pull-up resistor on this pin.

Table 4. Pin Descriptions—Power and No-Connect Signals

Note: VCCA and VCCD have the same dc value, which is represented as VCC unless otherwise specified. However, high-frequency filtering is suggested between the individual supplies.

Pin	Symbol*	Type†	Level	Name/Description
108, 109, 114, 126, 127	VCCA	I	Power	Analog Power Supply (3.3 V).
2, 3, 5, 7, 9, 12, 20, 24, 29, 34, 35, 48, 51, 54, 63, 70, 80, 90, 104, 107	VCCD	I	Power	Digital Power Supply (3.3 V).
1, 4, 13, 16, 19, 25, 28, 31, 32, 37—39, 55, 58, 64, 65, 75, 85, 95, 100—103, 117—124, 128	GND	I	Ground	Ground.
36, 45, 115, 116, 125	NC	—	—	No Connection. Pin 45 has an internal pull-up resistance of approximately 25 kΩ. All of these pins must be left open.

* Differential pairs are indicated by P and N suffixes. For nondifferential pins, N at the end of the symbol name designates active-low.

† I = input, O = output. I^u indicates an internal pull-up resistor on this pin.

Functional Overview

The Lucent Technologies Microelectronics Group TTRN012G5 operates at the OC-48/STM-16 data rate of 2.5 Gbits/s.* The TTRN012G7 device operates at either 2.5 Gbits/s or the RS FEC OC-48/STM-16 data rate of 2.7 Gbits/s. The device performs the clock synthesis and 16:1 data multiplexing operations required to support 2.5 Gbits/s applications compliant with *Telcordia Technologies* and ITU standards. Parallel 155 Mbits/s data is clocked into an input register and checked for valid parity. Both clockless data transfer and contra-directional clocking modes are supported. The data is then multiplexed into a 2.5 Gbits/s serial stream and output buffered for interfacing to a laser driver. A 2.5 GHz clock is synthesized from a reference clock and is used to retime the serial data. The 2.5 GHz clock is optionally available as an output. The serial data stream polarity can be inverted under pin control to make interfacing easier.

Clock Synthesizer Operation

The clock synthesizer uses a PLL to synthesize a 2.5 GHz clock from a reference frequency. A 155 MHz clock derived from the 2.5 GHz synthesized clock may be used to clock in the parallel data.

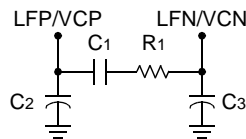
Clock Synthesizer Loop Filter

A typical loop filter that provides adequate damping for less than 0.1 dB of jitter peaking is shown in Figure 3. Connect the filter components and also connect LFP to VCP and connect LFN to VCN. The component values can be varied to adjust the loop dynamic response (see Table 5).

Table 5. Clock Synthesizer Loop Filter Component Values

Components	Values for 2 MHz Loop Bandwidth
C1*	0.10 μ F \pm 10%
C2, C3	10 pF \pm 20%
R1	680 Ω \pm 5%

* Capacitor C1 should be either ceramic or nonpolar.



5-8061(F)

Figure 3. Clock Synthesizer Loop Filter Components

Clock Synthesizer Settling Time

The clock synthesizer will acquire phase/frequency lock after a valid reference clock is applied to the REFCLKP/N input pins. The actual time to acquire lock is a function of the loop bandwidth selected. The loop will acquire lock within 5 ms when using the external loop bandwidth components corresponding to 2 MHz.

Loss of Lock Indicator (LCKLOSSN)

The LCKLOSSN pin indicates (active-low) when the clock synthesizer has exceeded phase-lock limits with the incoming REFCLKP/N phase. The lock detect function compares the phases of the input 155 MHz clock at the REFCLKP/N pins with the internally generated 155 MHz output clock at the CK155P/N pins. When the phase difference in the two signals is close to zero as determined by a second internal phase detector and filter, the lock detect signal LCKLOSSN is set to the logic high state. When the phase difference between the two signals is changing with time at a rate exceeding the filter's cutoff frequency, the device is declared out of lock and lock detect signal LCKLOSSN is set to a logic low. If a set of highly damped phase-locked loop parameters is chosen for the device, LCKLOSSN may exhibit more than one positive edge transition during the acquisition process before a steady logic high state is achieved.

* The OC-48/STM-16 data rate of 2.48832 Gbits/s is typically approximated as 2.5 Gbits/s in this document when referring to the application rate. The RS FEC OC-48/STM-16 data rate is 2.66606 Gbits/s and is approximated as 2.7 Gbits/s in this document. Similarly, the OC-3/STM-1 data rate of 155.52 Mbits/s is typically approximated as 155 Mbits/s, and the RS FEC OC-3/STM-1 data rate of 166.62 Mbits/s is approximated as 166 Mbits/s. The exact frequencies are used only when necessary for clarity.

Functional Overview (continued)

Clock Synthesizer Operation (continued)

Clock Synthesizer Generated Jitter

The clock synthesizer's generated jitter performance meets the requirements shown in Table 6. These specifications apply to the jitter generated at the 2.5 GHz clock pins (CK2G5P/N) when the jitter on the reference clock (REFCLKP/N) is within the specifications given in Table 9 on page 16, and the loop filter components are chosen to provide a loop bandwidth of 2 MHz.

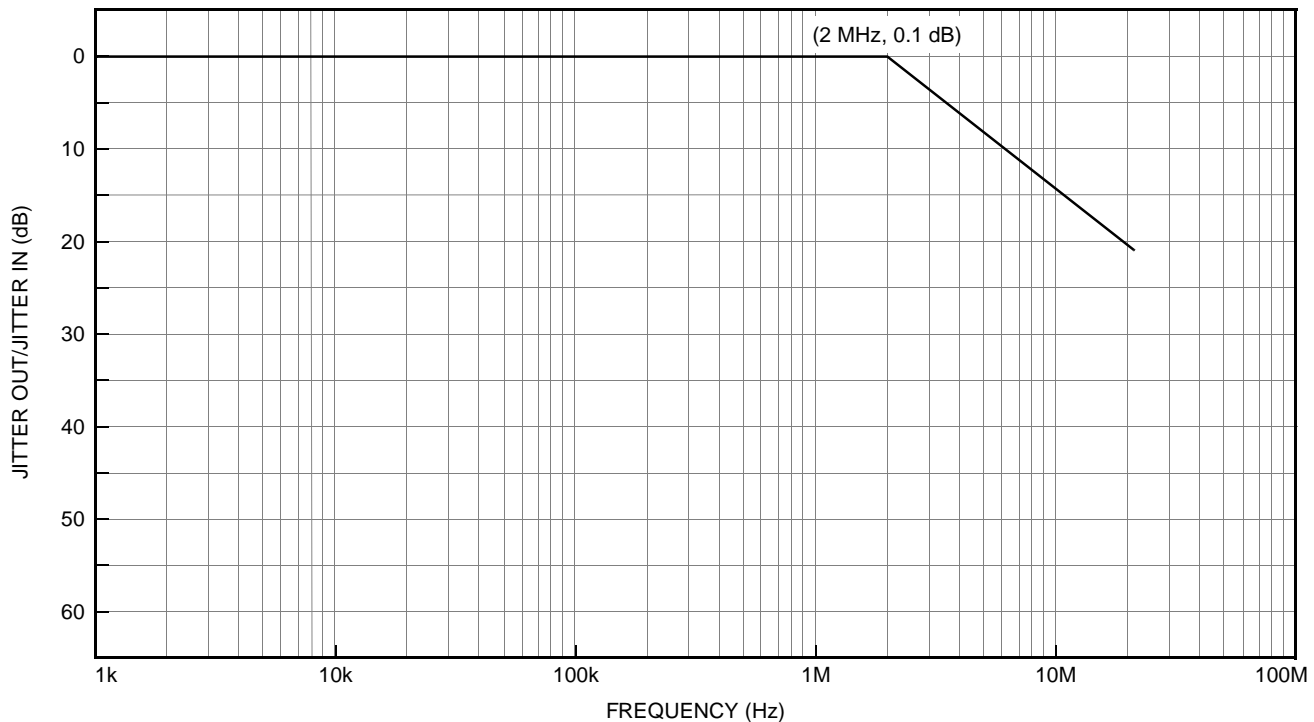
Table 6. Clock Synthesizer Generated Jitter Specifications

Parameter	Typical	Max (Device)*	Unit
Generated Jitter (p-p): Measured with 12 kHz to 20 MHz Bandpass Filter	0.02	0.09	Ulp-p
Generated Jitter (rms): Measured with 12 kHz to 20 MHz Bandpass Filter	0.002	0.009	Ulrms

* This denotes the device specification for system SONET/SDH compliance when the loop filter in Table 5 and Figure 3 is used.

Clock Synthesizer Jitter Transfer

The clock synthesizer's jitter transfer performance meets the requirement shown in Figure 4 when the loop filter values shown in Table 5 are used.



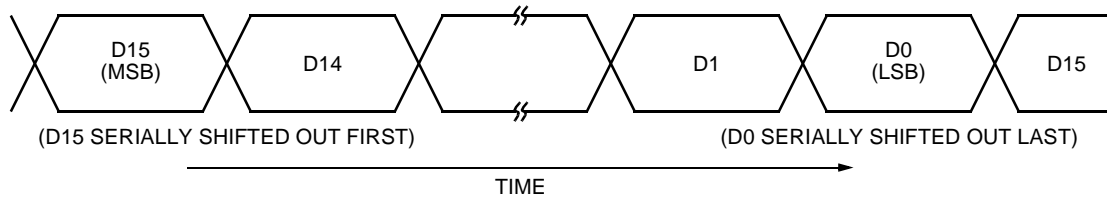
5-8062(F)r.1

Figure 4. Clock Synthesizer Jitter Transfer

Functional Overview (continued)

Multiplexer Operation

The parallel 155 Mbits/s data is clocked into an input buffer by a 155 MHz clock derived from the synthesized 2.5 GHz clock. The data is checked for parity and then clocked into a 16:1 multiplexer. The relationship between the parallel D[15:0] input data and the serial output data (D2G5P/N) is given in Figure 5. The D15 bit is the most significant bit (MSB) and is shifted out first in time in the serial output stream.



5-8063(F)

Figure 5. Parallel Input to Serial Output Data Relationship

High-Speed Serial Clock Output Enable (ENCK2G5)

A separate output enable is provided for the 2.5 GHz clock output (CK2G5P/N). The enable is an active-high CMOS input with an internal pull-up resistor. The default condition will enable the CK2G5P/N output, and applying a ground or setting the enable pin (ENCK2G5) to logic low will disable the CK2G5P/N output. When disabled, the CK2G5P/N output pins should be either left floating, or be connected to a load which returns to Vcc. The output must not be connected directly to ground when it is disabled.

Loopback 2.5 GHz Data Output (LBDP/N, ENLBDN)

An alternate 2.5 Gbits/s CML data output is available on the LBDP/N pin. This pin is provided for use in system loopback testing and avoids the need for off-chip signal splitting of the data signal path. The alternate 2.5 Gbits/s loopback data output may be enabled by setting the ENLBDN pin to logic low. ENLBDN enable is an active-low CMOS input with an internal pull-up resistor so the default condition will disable the LBDP/N output, and a ground or logic-low signal must be applied to enable the loopback output. When disabled, the LBDP/N pin should be either left floating, or be connected to a load which returns to Vcc. The output must not be connected directly to ground when it is disabled.

Parity Validation (VALIDP/N)

The parity signal is expected to be a logic 0 when the number of 1s in the 16-bit input register is an even number, and the parity signal is expected to be a logic 1 when the number of 1s in the input register is an odd number. If the parity bit agrees with the parity in the input register, then the VALIDP/N signal will be logic high. If the parity signal is not generated, the VALIDP/N pin should be left open without termination to avoid meaningless signal swings and avoid unnecessary power dissipation.

Clocking Modes and Timing Adjustments

Clockless Transfer Mode (CLKMODE, EXTADJN, MONAPAP/N)

The device supports two timing modes for the 155 Mbits/s data input. In clockless transfer mode (CLKMODE = 0), data may be sent to the device without a clock. After phase/frequency lock has been obtained by the clock synthesizer, the device automatically finds the correct phase of the internal 155 MHz clock by sampling the rising edge of the D0P/N data bit. The skew of any data bit D[15:0]P/N must be less than 500 ps relative to D0P/N. If the phase of the incoming data shifts more than ± 2400 ps from the time the automatic phase adjustment occurred, the device will automatically readjust its internal clocking phase. Data integrity may not be obtained at the instant of phase adjustment, and an error burst of up to 16 data bits may occur.

The user may optionally force the automatic phase adjustment to occur by toggling the EXTADJN pin (active-low) and keeping it low for at least 12.8 ns after the next rising edge of the D0P/N input. The phase will be adjusted one time upon the first occurrence of a low-to-high transition of the D0P/N data bit while the EXTADJN pin is in the logic-low state. To externally adjust the phase again, the RESETN pin must be brought low then high to enable another phase adjustment. When CLKMODE = 0, the 155 MHz output clock (CK155P/N) is active but should be left unconnected to conserve power.

MONAPAP/N can be used for the monitoring and reporting of phase adjustments. The MONAPAP/N output will go high in the following sequence:

- EXTADJN pin transitions to logic-low state
- A rising edge of the D0P/N input occurs
- MONAPAP/N transitions to logic 1 three CK2G5 cycles (1.2 ns) later
- MONAPAP/N will stay high for 12 CK2G5 cycles (4.8 ns)

The first sixteen D2G5 data output bits after the rising edge of MONAPAP/N are invalid.

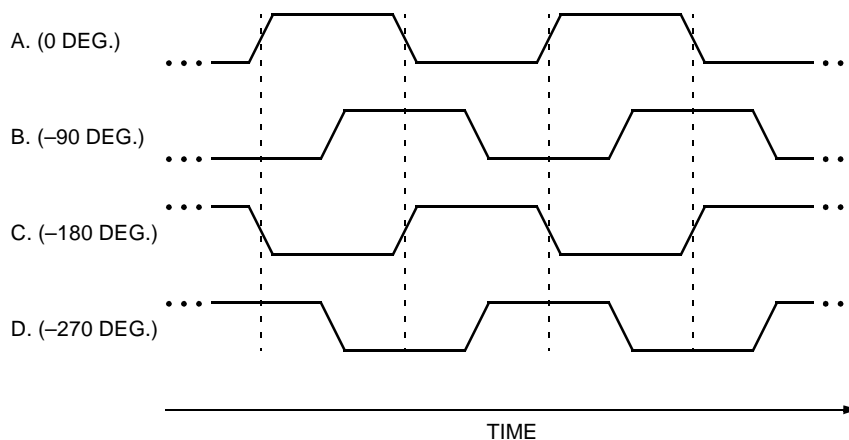
Clocking Modes and Timing Adjustments (continued)

Contra-Directional Clocking Mode (CLKMODE, PHADJ[1:0])

In the contra-directional clocking mode (CLKMODE = 1), the data is sampled with the internal 2.5 GHz clock at the time of the falling edge of CK155P (see Figure 8 on page 19 for timing details). The device sends a 155 MHz clock with one of four user-selectable phases out to the upstream device for clocking the data toward the device. The user can program PHADJ[1:0] to adjust the phase of CK155 as a function of PWB layout and upstream device propagation delay in order to meet the setup and hold time of the 155 Mbits/s data to the device. With a PHADJ[1:0] = [11], the data is sampled by the internal CK2G5 clock at the falling edge of CK155P. PHADJ[1:0] changes the phase of the CK155P clock without changing the input data sampling time. PHADJ[1:0] setting information is given in Table 7, and the phase relationship of CK155 for each PHADJ[1:0] setting is shown in Figure 6.

Table 7. PHADJ Settings for CK155 Output Clock (Contra-Clocking Mode)

Input Pins		Phase
PHADJ1	PHADJ0	
1	1	(See part A of Figure 6.)
1	0	(See part B of Figure 6.)
0	1	(See part C of Figure 6.)
0	0	(See part D of Figure 6.)



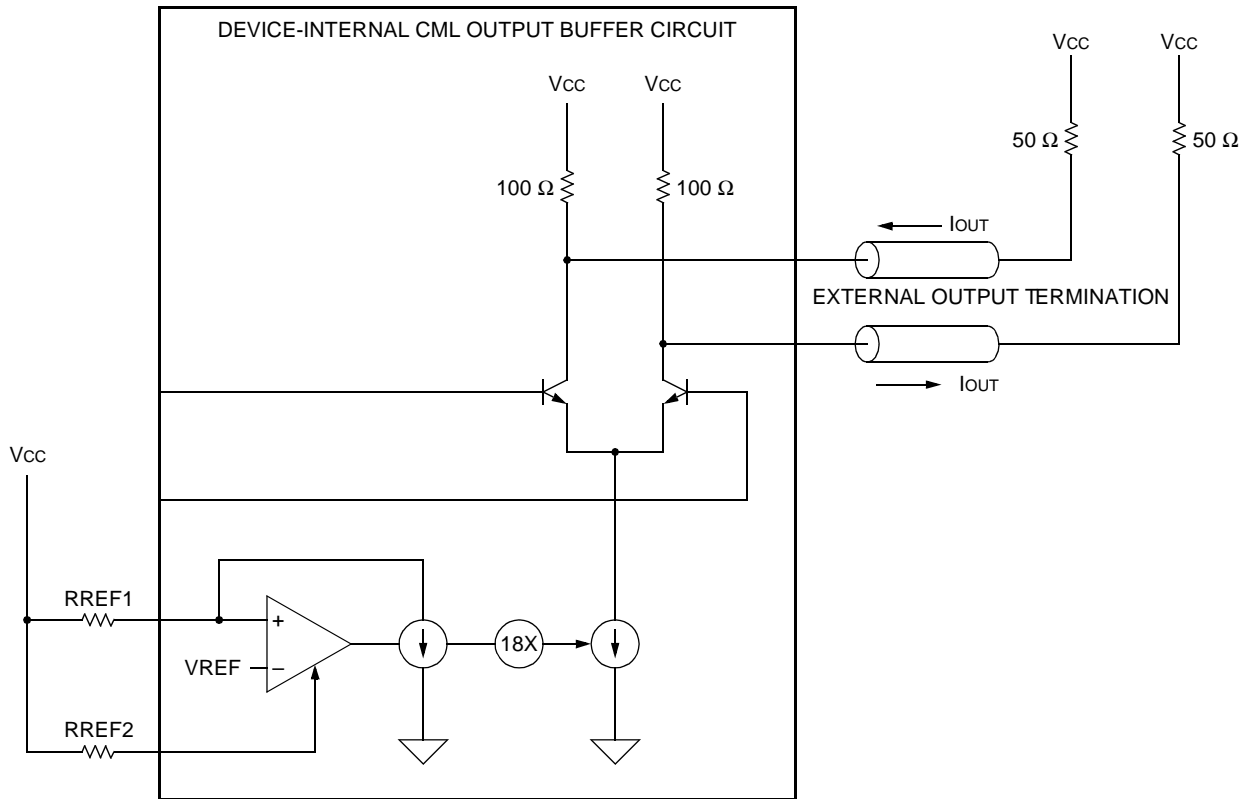
5-8064(F)r.2

Figure 6. CK155 Phase Relation vs. PHADJ Setting

CML Output Structure (Used on Pins D2G5P/N, CK2G5P/N)

The CML architecture is essentially a current-steering mechanism combined with an amplifier. This makes the output swing of the signal a function of the termination resistor and the programmable output current. The user should connect external termination resistors from the CML output pins to Vcc. The on-chip, 100 Ω pull-up resistors provide a dc path when using an ac-coupled load.

The voltage swing of a CML signal is typically 400 mV, half that of ECL/PECL. The lower pulse amplitude reduces noise transients, crosstalk, and EMI. It also uses half the amount of current through the termination resistors. The schematic of a typical CML output structure is shown in Figure 7.



5-8065(F)r.2

Figure 7. Typical CML Output Structure

Choosing the Value of the External CML Reference Resistors (RREF1, RREF2)

The flexibility of the CML interface permits certain parameters to be customized for a particular application. The RREF1 resistor controls the CML output driver current source. Adjusting this tail current and termination resistors will allow signal amplitude control (see the CML output specifications for limitations, page 18 and page 20) and flexibility in termination schemes.

With RREF2 set to 1.5 kΩ, the equation for the CML output current is the following:

$$I_{out} = (18) \cdot (1.21) / R_{REF1}$$

The CML outputs have on-chip 100 Ω load resistors to Vcc to accommodate capacitive ac coupling. With a 50 Ω 1% load, the effective load resistance will be 33.33 Ω ± 6%. For a 400 mV voltage swing into the 50 Ω load, set RREF1 to 1.8 kΩ. For a 600 mV voltage swing, set RREF1 to 1.2 kΩ. In both cases, RREF2 remains fixed at a value of 1.5 kΩ.

Absolute Maximum Ratings

Stresses in excess of the absolute maximum ratings can cause permanent damage to the device. These are absolute stress ratings only. Functional operation of the device is not implied at these or any other conditions in excess of those given in the operational sections of the data sheet. Exposure to absolute maximum ratings for extended periods can adversely affect device reliability.

Parameter	Min	Max	Unit
Power Supply Voltage (VCC)	—	4.0	V
Storage Temperature	-40	125	°C
Pin Voltage	GND - 0.5	VCC + 0.5	V

Handling Precautions

Although protection circuitry has been designed into this device, proper precautions should be taken to avoid exposure to electrostatic discharge (ESD) during handling and mounting. Lucent employs a human-body model (HBM) and charged-device model (CDM) for ESD-susceptibility testing and protection design evaluation. ESD voltage thresholds are dependent on the circuit parameters used in the defined model. No industrywide standard has been adopted for the CDM. However, a standard HBM (resistance = 1500 Ω , capacitance = 100 pF) is widely used and, therefore, can be used for comparison purposes:

Device	Voltage
TTRN012G5	≥ 200 V
TTRN012G7	≥ 200 V

Operating Conditions

Table 8. Recommended Operating Conditions

Parameter	Symbol	Min	Typ	Max	Unit
Power Supply (dc voltage)	—	3.135	3.3	3.465	V
Ground	—	—	—	—	V
Input Voltage:		See Table 10,	See Table 10,	See Table 10,	
Low	V _{IL}	Table 12,	Table 12,	Table 12,	V
High	V _{IH}	Table 14.	Table 14.	Table 14.	V
Temperature:					
Ambient	T _A	-40	—	85	°C
Power Dissipation:					
MBIC 025 BiCMOS	P _D	—	1.5	TBD	W
MBIC 025 SiGe BiCMOS	P _D	—	0.9	1.14	W

Electrical Characteristics

Reference Frequency (REFCLKP/N) Specifications

The device requires a differential LVPECL reference clock input.

- When using the TTRN012G5 device, a 155.52 MHz differential LVPECL clock must be applied to the REFCLKP/N input.
- When using the TTRN012G7 device at the OC-48/STM-16 rate, a 155.52 MHz differential LVPECL clock must be applied to the REFCLKP/N input.
- When using the TTRN012G7 device at the RS FEC OC-48/STM-16 rate, a 166.62 MHz differential LVPECL clock must be applied to the REFCLKP/N input.

Table 9 provides the characteristics of the REFCLKP/N input.

Table 9. Reference Frequency Characteristics

Parameter	Min	Typ	Max	Unit
Reference Frequency (REFCLKP/N)	—	155.52	—	MHz
	—	166.62	—	MHz
Reference Frequency Tolerance*	-20	—	20	ppm
Duty Cycle	40	—	60	%
Phase Jitter†	—	—	3	ps(rms)
Temperature‡	-40	—	85	°C
Supply Voltage‡	3.10	—	3.60	V

* Includes effects of power supply variation, temperature, electrical loading, and aging. The ± 20 ppm tolerance is required to meet SONET/SDH requirements. For non-SONET/SDH compliant systems, looser tolerances may apply.

† Measured under one 3.3 V LVPECL load. Includes frequency components up to 2 MHz.

‡ Specified range is to be compatible with environmental specification of TTRN012G5 or TTRN012G7. Applications requiring a reduced temperature range may specify the reference frequency oscillator accordingly.

Electrical Characteristics (continued)

LVPECL, CMOS, CML Input and Output Pins

Notes:

1. For Table 10 through Table 17, $V_{CC} = 3.3 \text{ V} \pm 5\%$, $T_A = -40 \text{ }^\circ\text{C}$ to $+85 \text{ }^\circ\text{C}$; these tables apply to both MBIC 025 BiCMOS and MBIC 025 SiGe BiCMOS technologies.
2. For more information on interpreting CML specifications, see the CML Output Structure (Used on Pins D2G5P/N, CK2G5P/N) section on page 14.

Table 10. LVPECL Input Pin Characteristics

Applicable Pins	Symbol	Parameter	Conditions	Min	Typ	Max	Unit
D[15:0]P/N, PARITYP/N, REFCLKP/N	V_{IH}	Input Voltage High	Referred to V_{CC}	-1165	—	-880	mV
	V_{IL}	Input Voltage Low	Referred to V_{CC}	-1810	—	-1475	mV
	I_{IH}	Input Current High Leakage	$V_{IN} = V_{IH} (\text{max})$	—	—	20	μA
	I_{IL}	Input Current Low Leakage	$V_{IN} = V_{IL} (\text{min})$	5	—		μA

Table 11. LVPECL Output Pin Characteristics

Applicable Pins	Symbol	Parameter	Conditions	Min	Typ	Max	Unit
CK155P/N, VALIDP/N, MONAPAP/N	V_{OH}	Output Voltage High	Load = 50Ω connected to $V_{CC} - 2.0 \text{ V}$	$V_{CC} - 1.31$	$V_{CC} - 1.20$	$V_{CC} - 0.90$	V
	V_{OL}	Output Voltage Low	Load = 50Ω connected to $V_{CC} - 2.0 \text{ V}$	$V_{CC} - 1.95$	$V_{CC} - 1.88$	$V_{CC} - 1.80$	V

Table 12. CMOS Input Pin Characteristics

Applicable Pins	Symbol	Parameter	Conditions	Min	Max	Unit
RESETN, PHADJ[1:0], EXTADJN, INVDATN, TESTN, CLKMODE, ENCK2G5, ENLBDN	V_{IH}	Input Voltage High	—	$V_{CC} - 1.0$	V_{CC}	V
	V_{IL}	Input Voltage Low	—	GND	1.0	V
	I_{IH}	Input Current High Leakage	$V_{IN} = V_{CC}$	—	10	μA
	I_{IL}	Input Current Low Leakage	$V_{IN} = \text{GND}$	-225	—	μA

Table 13. CMOS Output Pin Characteristics

Applicable Pins	Symbol	Parameter	Conditions	Min	Max	Unit
LCKLOSSN	V_{OH}	Output Voltage High	$I_{OH} = -4.0 \text{ mA}$	$V_{CC} - 0.5$	V_{CC}	V
	V_{OL}	Output Voltage Low	$I_{OL} = 4.0 \text{ mA}$	GND	0.5	V
	C _I	Output Load Capacitance	—	—	15	pF

Electrical Characteristics (continued)

LVPECL, CMOS, CML Input and Output Pins (continued)

Table 14. CML Input Pin dc Characteristics

Applicable Pins	Symbol	Parameter	Conditions	Min	Typ	Max	Unit
TSTCKP/N	V _{IL}	Input Voltage Low	—	—	V _{CC} - 0.4	—	V
	V _{IH}	Input Voltage High		—	V _{CC}	—	V

Table 15. CML Output Pin dc Characteristics

Applicable Pins	Symbol	Parameter	Conditions	Min [*]	Typ [†]	Max [‡]	Unit
D2G5P/N, LBDP/N, CK2G5P/N	V _{OL}	Output Voltage Low	RREF2 = 1.5 kΩ, R _L = 50 Ω, All signals differential	V _{CC} - 1.2	V _{CC} - 0.4	—	V
	V _{OH}	Output Voltage High		—	V _{CC}	V _{CC} + 0.3	V
	I _{OL}	Output Current Low		3.6	12	18	mA
	I _{OH}	Output Current High		—	0	1	μA

* Applies when RREF1 = 1 kΩ.

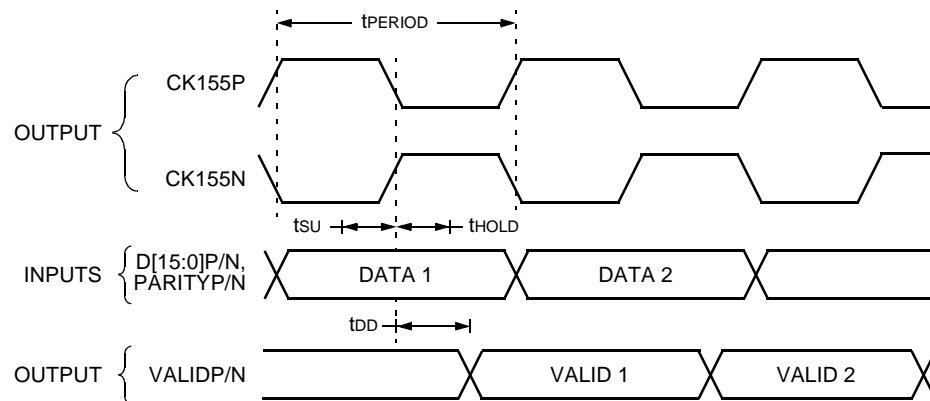
† Applies when RREF1 = 1.8 kΩ.

‡ Applies when RREF1 = 6 kΩ.

Timing Characteristics

Transmit Timing

Figure 8 shows the timing relationships between the 155.52 MHz or 166.62 MHz output clock (CK155P/N) and the 155.52 Mbps/s or 166.62 Mbps/s input data (D[15:0]P/N) and the input parity valid check (PARITYP/N). Also shown is the relationship of the VALIDP/N output signal to CK155P/N; this relationship is true for both the contra-clocking mode and the clockless transfer mode.



Note: TSU and THOLD only apply in contra-clocking mode when CLKMODE = 1.

5-7726(F).hr.2

Figure 8. Transmit Timing Waveform

The 155 MHz or 166 MHz output clock and data signals from Figure 8 are characterized in Table 16.

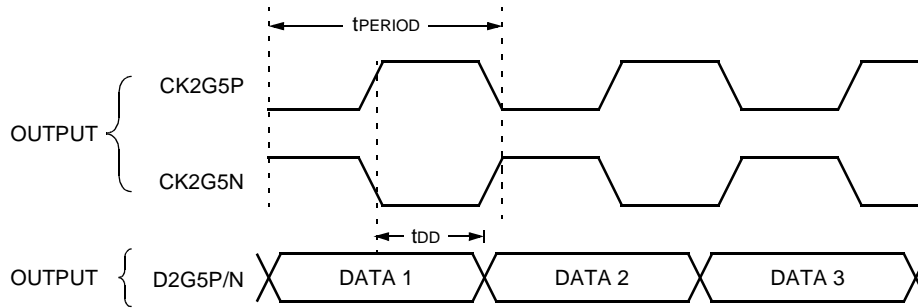
Table 16. LVPECL Input/Output Pin ac Timing Characteristics

Applicable Pins	Symbol	Parameter	Conditions	Min	Typ	Max	Unit
CK155P/N	—	Duty Cycle	All signals differential	40	50	60	%
	tPERIOD	155.52 MHz Clock Period		—	6.43	—	ns
		166.62 MHz Clock Period		—	6.00	—	ns
Input Timing							
D[15:0]P/N, PARITYP/N, CK155P/N	tSU	Setup from Clock Edge to D[15:0]P/N or to PARITYP/N Edge	CLKMODE = 1, All signals differential	2.0	—	—	ns
	tHOLD	Hold from Clock Edge to D[15:0]P/N or to PARITYP/N Edge	CLKMODE = 1, All signals differential	0.5	—	—	ns
	tRISE, tFALL	Rise, Fall Times: 20%—80%	All signals differential	200	500	800	ps
	tSKEW	Transition Skew Rise to Fall		-100	0	100	ps
Output Timing							
VALIDP/N, CK155P/N	tDD	Time Delay from Clock Edge to VALIDP/N Edge	All signals differential	-300	800	1500	ps
	tRISE, tFALL	Rise, Fall Times: 20%—80%		200	500	800	ps
	tSKEW	Transition Skew Rise to Fall		-100	0	100	ps

Timing Characteristics (continued)

Transmit Timing (continued)

Figure 9 shows the timing relationship between the 2.5 GHz or 2.7 GHz output clock (CK2G5P/N) and the 2.5 Gbits/s or 2.7 Gbits/s output data (D2G5P/N).



5-7726(F).er.4

Figure 9. Transmit Timing Waveform with 2.5 GHz or 2.7 GHz Clock

The 2.5 GHz or 2.7 GHz output clock and data signals from Figure 9 are characterized in Table 17.

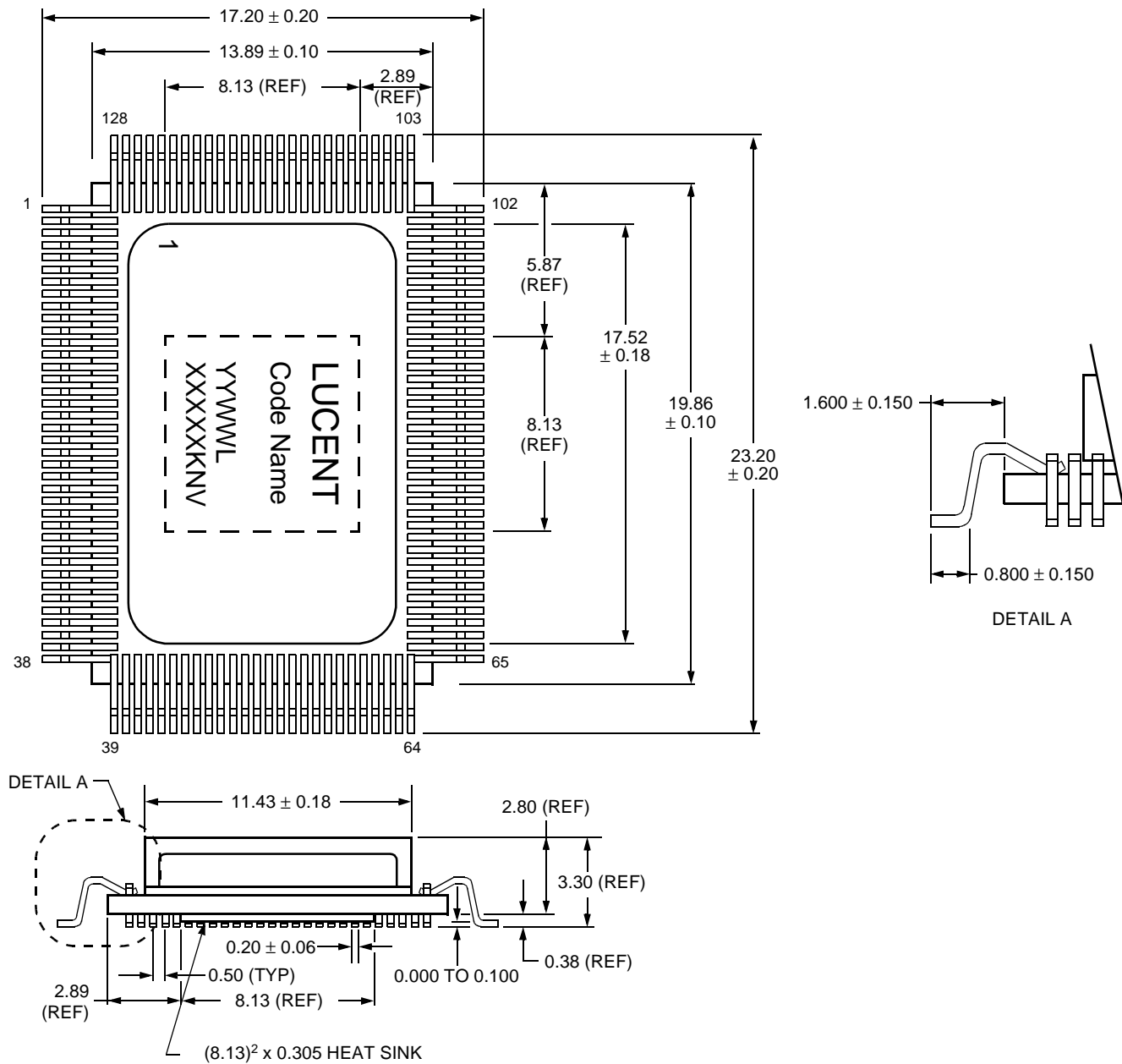
Table 17. CML Output Pin ac Timing Characteristics

Applicable Pins	Symbol	Parameter	Conditions	Min	Typ	Max	Unit
CK2G5P/N	—	Duty Cycle	RREF1 = 1.8 kΩ RREF2 = 1.5 kΩ RL = 50 Ω All signals differential	40	50	60	%
	tPERIOD	2.48832 GHz Clock Period		—	402	—	ps
		2.66606 GHz Clock Period		—	375	—	ps
D2G5P/N, CK2G5P/N, LBDP/N	tDD	Time Delay from Clock Edge to Data Edge		151	201	251	ps
	tRISE, tFALL	Rise, Fall Times: 20%—80%		50	80	120	ps
	tSKEW	Transition Skew Rise to Fall		-10	0	10	ps

Outline Diagram

128-Pin QFP

Dimensions are in millimeters.



5-8416(F)r.2

Ordering Information

Device Code	Package	Temperature	Comcode (Ordering Number)
TTRN012G5: TTRN012G5 (BiCMOS) TTRN012G53XE1 (SiGe BiCMOS)	128-pin QFP 128-pin QFP	-40 °C to +85 °C -40 °C to +85 °C	108419961 108700709
TTRN012G7: TTRN012G7 (BiCMOS) TTRN012G73XE1 (SiGe BiCMOS)	128-pin QFP 128-pin QFP	-40 °C to +85 °C -40 °C to +85 °C	108560335 108700717
—	—	—	—

DS00-375HSPL Replaces DS00-155HSPL to Incorporate the Following Updates

1. Added a second technology, MBIC 025 SiGe BiCMOS, to the data sheet.
2. Page 7, REFCLKP/N pins, corrected definition.
3. Page 15, Absolute Maximum Ratings, added maximum power supply value of 4.0 V.
4. Page 15, Handling Precautions, corrected ESD threshold value from TBD to ≥ 200 V.
5. Page 15, Table 8, added MBIC 025 SiGe BiCMOS power dissipation values.
6. Page 17, Table 11, updated LVPECL Output Pin Characteristics.
7. Page 22, Ordering Information, added MBIC 025 SiGe BiCMOS comcodes.

For additional information, contact your Microelectronics Group Account Manager or the following:

INTERNET: <http://www.lucent.com/micro>

E-MAIL: docmaster@micro.lucent.com

N. AMERICA: Microelectronics Group, Lucent Technologies Inc., 555 Union Boulevard, Room 30L-15P-BA, Allentown, PA 18109-3286
1-800-372-2447, FAX 610-712-4106 (In CANADA: 1-800-553-2448, FAX 610-712-4106)

ASIA PACIFIC: Microelectronics Group, Lucent Technologies Singapore Pte. Ltd., 77 Science Park Drive, #03-18 Cintech III, Singapore 118256
Tel. (65) 778 8833, FAX (65) 777 7495

CHINA: Microelectronics Group, Lucent Technologies (China) Co., Ltd., A-F2, 23/F, Zao Fong Universe Building, 1800 Zhong Shan Xi Road, Shanghai 200233 P. R. China Tel. (86) 21 6440 0468, ext. 325, FAX (86) 21 6440 0652

JAPAN: Microelectronics Group, Lucent Technologies Japan Ltd., 7-18, Higashi-Gotanda 2-chome, Shinagawa-ku, Tokyo 141, Japan
Tel. (81) 3 5421 1600, FAX (81) 3 5421 1700

EUROPE: Data Requests: MICROELECTRONICS GROUP DATALINE: Tel. (44) 7000 582 368, FAX (44) 1189 328 148

Technical Inquiries: GERMANY: (49) 89 95086 0 (Munich), UNITED KINGDOM: (44) 1344 865 900 (Ascot),
FRANCE: (33) 1 40 83 68 00 (Paris), SWEDEN: (46) 8 594 607 00 (Stockholm), FINLAND: (358) 9 3507670 (Helsinki),
ITALY: (39) 02 6608131 (Milan), SPAIN: (34) 1 807 1441 (Madrid)

Lucent Technologies Inc. reserves the right to make changes to the product(s) or information contained herein without notice. No liability is assumed as a result of their use or application. No rights under any patent accompany the sale of any such product(s) or information.

