

Dual USB / RJ-45 Filter Port Jack with 10/100Base-TX

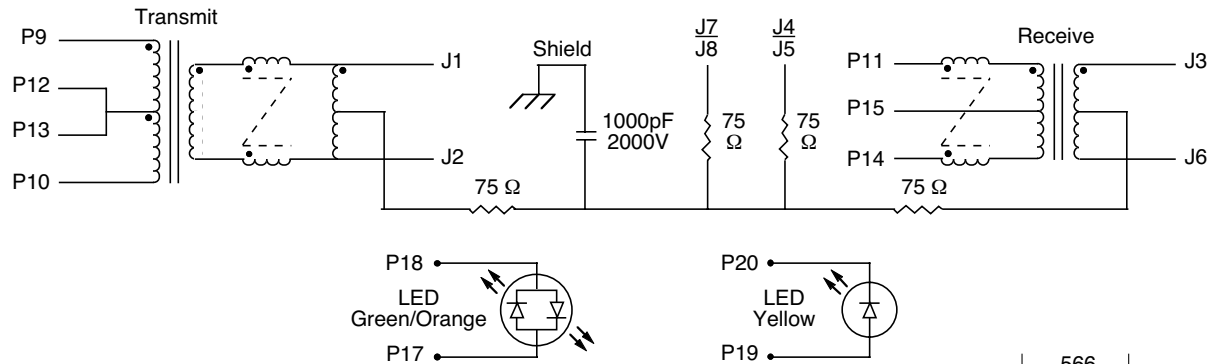
EPJ9103

- Space Saving RJ-45/USB Connectors
- Metal Shield : Nickel Plated Copper Alloy
- Thermo Plastic PBT UL94V-0 Rated Connector Housing
- Complete Bob Smith Termination Included
- Operating Temperature : 0°C to +70°C
- 1500 Vrms Isolation

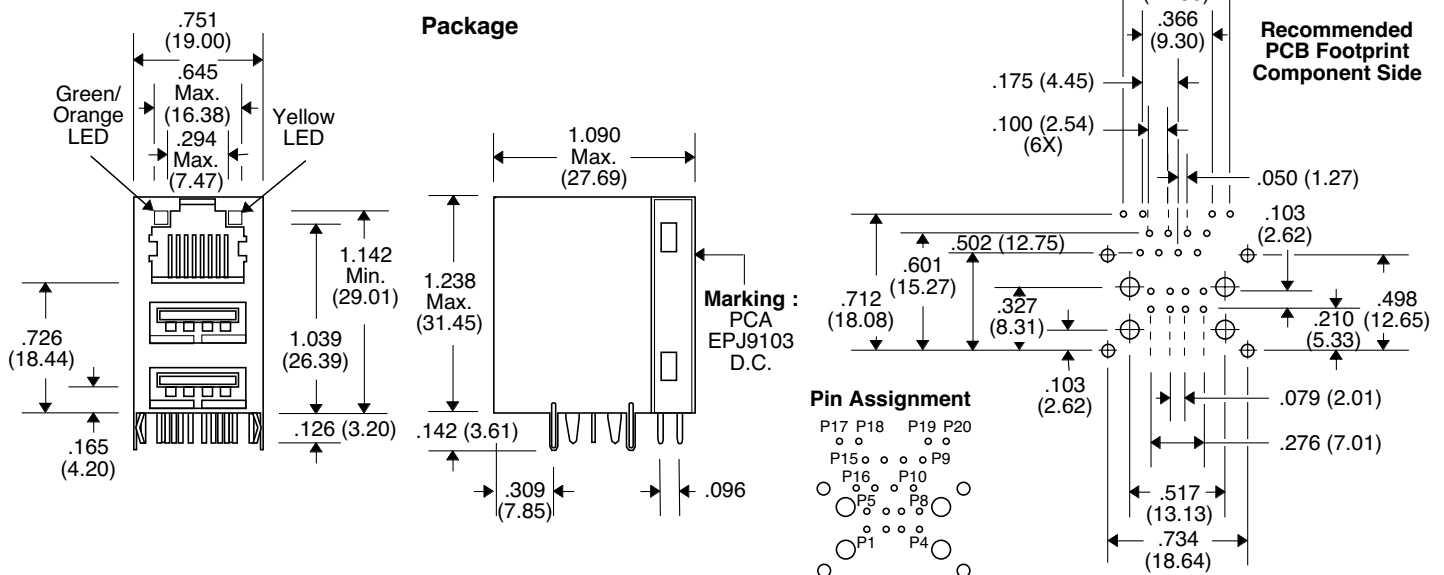
Electrical Parameters @ 25° C

Turns Ratio (± 5%)	OCL (μH Min.)	Insertion Loss (dB Max.)	Return Loss (dB Min.)				CMRR (dB Min.)			Crosstalk (dB Min.)			
			@ 30 MHz	@ 40 MHz	@ 50 MHz	60-80 MHz	@ 30 MHz	@ 60 MHz	@ 100 MHz	@ 30 MHz	@ 60 MHz	@ 100 MHz	
	@ 100 KHz, 100m Vrms	1 MHz- 100 MHz											
	8 mA DC Bias												
1:1	350	-1.0	-18	-16	-14	-12	-35	-30	-25	-40	-40	-35	

Schematic



Package



Unless Otherwise Specified Dimensions are in Inches /mm ±.010 / .25