

MULTISTANDARD VIDEO AND SOUND IF SYSTEM

- GAIN CONTROLLED IF AMPLIFIER
- VIF OPERATING FREQUENCY UP TO 50MHz
- SYNCHRONOUS DETECTOR
- WHITE SPOT INVERTER
- VERY LOW DIFFERENTIAL ERROR
- VERY LOW PHASE ERROR
- INTERNAL AGC SWITCH (B/G - L)
- AGC TOP. SYNCH. FOR STANDARD B/G
- AGC TOP WHITE FOR STANDARD L
- QUASI SPLIT SOUND FOR STANDARD B/G
- SOUND DETECTOR FOR STANDARD L
- VIDEO MUTING FACILITY
- SEPARATED SOUND OUTPUT
- OPERATES WITHOUT EXTERNAL GATING PULSE

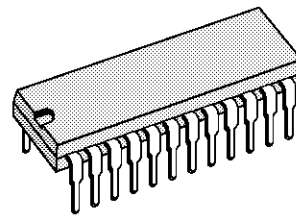
The Sound IF section acts as a Quasi Split Sound (QSS) subsystem in B/G transmission and allows a second Sound IF with high rejection of the video information.

The DC switch can modify the Sound IF configuration to process AM modulated Sound signals (L). The TDA8120B is assembled in a 24 pin dual in line power package.

DESCRIPTION

The TDA8120B is a monolithic IC for TV video IF and Sound IF amplification and demodulation that can operate with all the TV standards.

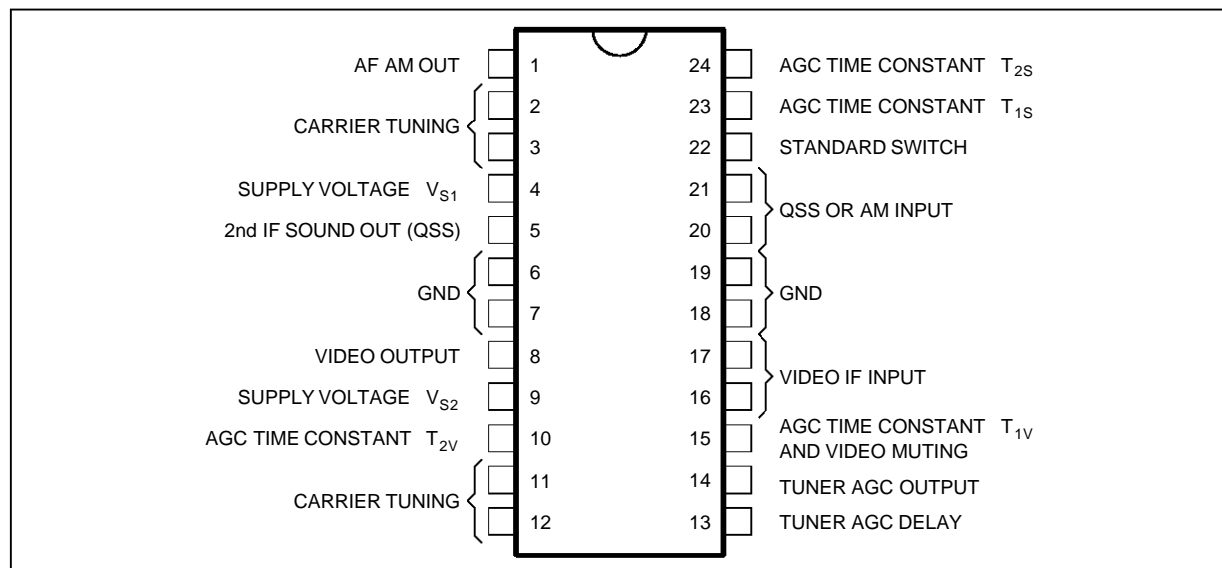
The Video IF section can handle negative (B/G) or positive (L) modulated video signals by means of DC switching.



DIP24
(Plastic Package)

ORDER CODE : TDA8120B

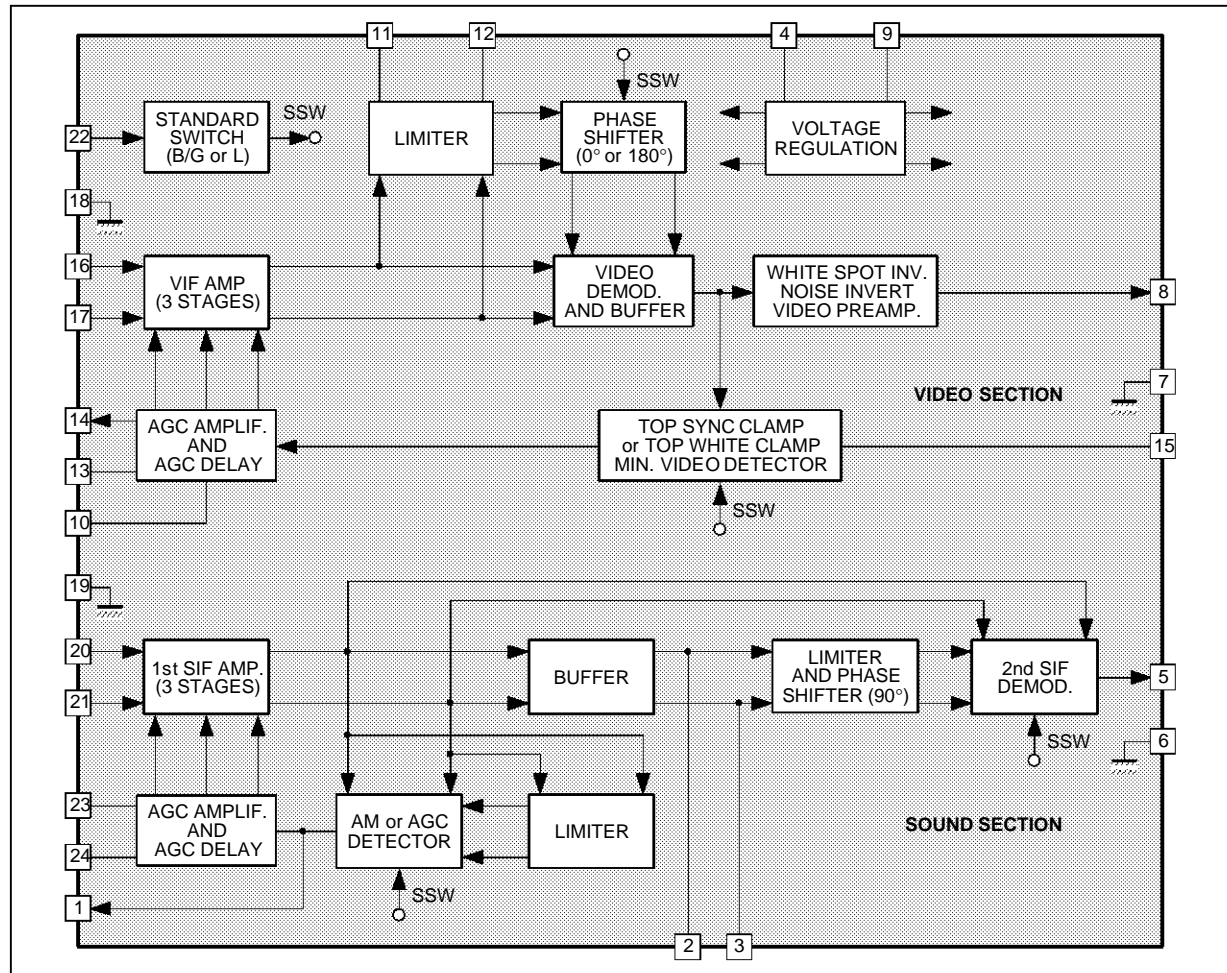
PIN CONNECTIONS



8120B-01.EPS

TDA8120B

BLOCK DIAGRAM



8120B-02.EPS

ABSOLUTE MAXIMUM RATINGS

Symbol	Parameter	Value	Unit
V_4, V_9	Supply Voltage V_s	15	V
I_8, I_5, I_1	Video Out, QSS _{out} , AF AM Out, DC Output Current	10	mA
I_{22}, I_{15}	Pin 22 and Pin 15 Input Current	1	mA
P_{tot}	Total Power Dissipation ($T_{amb} = 70\text{ °C}$)	2	W
T_{stg}, T_j	Storage and Junction Temperature	- 40 to 150	°C
V_{14}	Voltage at Pin 14	V_s	

8120B-01.TBL

THERMAL DATA

Symbol	Parameter	Value	Unit
$R_{th\ j-amb}$	Thermal Resistance	Max 40	°C/W

8120B-02.TBL

ELECTRICAL CHARACTERISTICS ($V_S = 12V$, $T_{amb} = 25^\circ C$)

Symbol	Parameter	Test Conditions	Min.	Typ.	Max.	Unit
--------	-----------	-----------------	------	------	------	------

VIDEO IF SECTION $V_i = 10\text{ mV}_{RMS}$ (black field), $F_o = 38.9\text{MHz}$; unless otherwise specified

V_s	Supply Voltage (Pins 4 and 9)		10.8	12	13.2	V
I_s	Supply Current	$V_i = 0$		120		mA
V_{8H}	Top White Level	$V_i = 0$, $R_L = 1.5\text{k}\Omega$	5.5	6	6.5	V
V_{8L}	Top Synchronous Level		2.7	3	3.3	V
V_8	Video Output B/G	Modulation Depth, $D = 90\%$, $R_L = 1.5\text{k}\Omega$	2.2	3	3.4	V_{pp}
V_8	Video Output L	$R_L = 1.5\text{k}\Omega$, $M = 100\%$	2.2	3	3.4	V_{pp}
ΔV_8	Video Output Variation between Standards B/G and L	$M = 100\%$		± 2		%
$-I_8$	Output Current	$R_L = 1.5\text{k}\Omega$		4		mA
I_8	Input Current		2			mA
I_{14}	Tuner AGC Current Capability			4.5		mA
S/N	Signal to Noise Ratio	$B = 5\text{MHz}$, $D = 90\%$	50			dB
ΔV_i	AGC Range	$\Delta V_8 = 1\text{dB}$, $D = 90\%$	60			dB
B	Bandwidth	$\Delta V_8 = -3\text{dB}$, $D = 90\%$	7			MHz
V_{16-17}	Input Sensitivity for Full Output Signal	$D = 90\%$		50		μV
V_8	Carrier Leakages	$F_o = 38.9\text{MHz}$ $F_o = 77.8\text{MHz}$		20 50		mV mV
dG	Differential Gain	Subcarrier Modulated Staircase Video Signal, $D = 90\%$			10	%
d ϕ	Differential Phase	Subcarrier Modulated Staircase Video Signal, $D = 90\%$			10	degree
d _{IM}	Intermodulation Product 1.07MHz	Video Carrier Relative Level = 0dB Chroma Subcarrier Relative Level = -3.2dB Sound Carrier Relative Level = -20dB		50		dB
R_i	Input Resistance (between Pins 16 and pin 17)			1.5		$\text{k}\Omega$
C_i	Input Capacitance (between Pins 16 and pin 17)			2		pF

QUASI SPLIT SOUND CHANNEL OR FRENCH SOUND CHANNEL (see notes 1 and 2)

V_{20-21}	Input Sensitivity for Full Output Signal (between Pins 20 and 21)	R Channel Missing		50		μV
ΔV_i	AGC Range	$\Delta V_5 = 1\text{dB}$, R Channel Missing	60			dB
V_5	Output Voltage Standard B/G	$R_L = 600\Omega$, AC Coupled, $F_o = 5.5\text{MHz}$		100		mV_{RMS}
I_5	Output Current			2.5		mA
Z_5	Small Signal Output Impedance (QSS)	$F_o = 5.5\text{MHz}$ or $F_o = 5.74\text{MHz}$			50	$\text{k}\Omega$
R_i	Input Resistance (between Pin 21 and Pin 20)			1.5		$\text{k}\Omega$
C_i	Input Capacitance (between Pin 21 and Pin 20)			2		pF
S/N	Noise Ratio QSS (after SIF limitation and FM demodulation) $F_o = 5.50\text{MHz}$ $F_o = 5.74\text{MHz}$	Channel R or Channel L Switched off $F_m = 1\text{kHz}$, $\Delta f = \pm 30\text{kHz}$ Carrier Modulated with Syncs. Pulses Only. CCIR 468-2 Recommendant	60 58			dB
V_1	Output Voltage Standard L		0.58	0.7	1	V_{RMS}
I_1	Output Current			2.5		mA
Z_1	AF Output Impedance (L)				50	Ω
S/N	Noise Ratio AM Standard L	$B_N = 20\text{kHz}$	46			dB

8120B-03.TBL

TDA8120B

ELECTRICAL CHARACTERISTICS (continued)

Symbol	Parameter	Test Condition s	Min.	Typ.	Max.	Unit
QUASI SPLIT SOUND CHANNEL OR FRENCH SOUND CHANNEL (see notes 1 and 2)						
d	Distorsion				2	%
V ₂₂	B/G Operation L Operation		2 0		5 0.8	V
V ₁₅	Video Muting		8		V _S	V

8120B-04.TBL

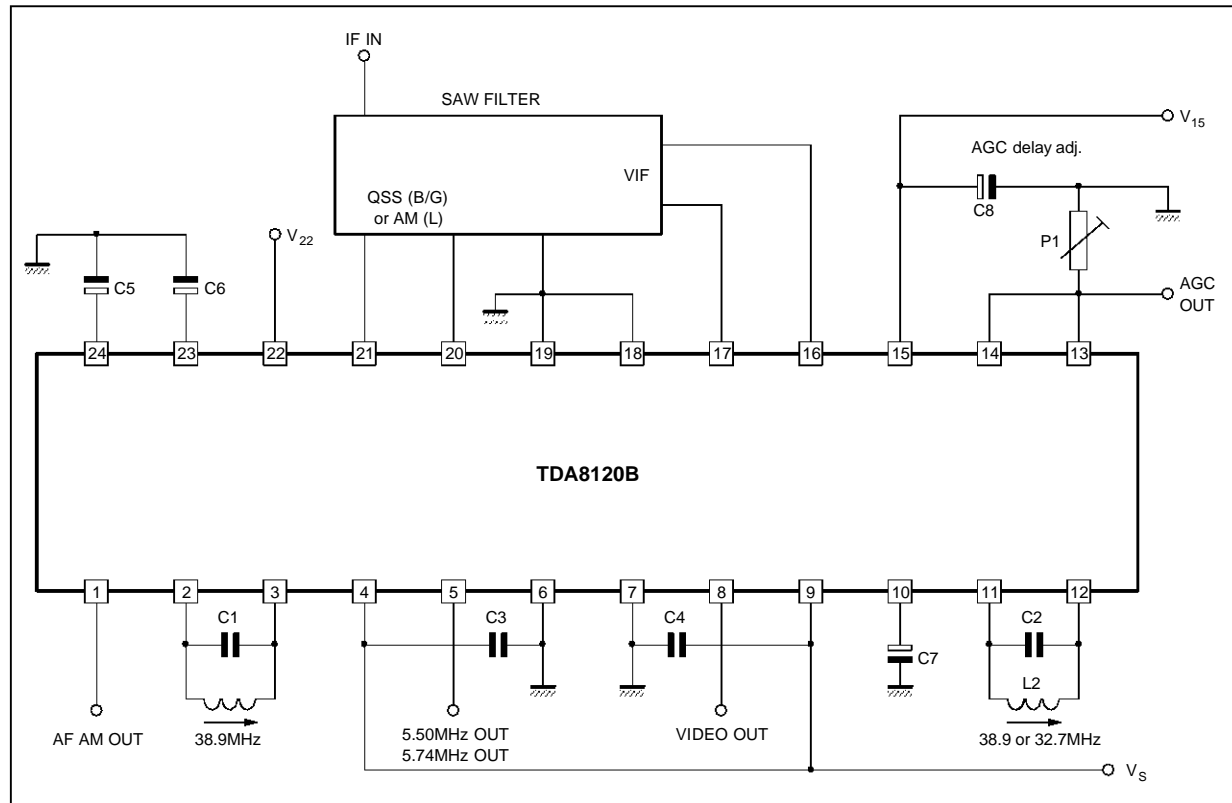
Notes : 1. QUASI SPLIT SOUND CHANNEL

Video carrier relative level = 0dB
 $\Delta f = 0$ | Sound carrier relative level = 13dB (mono or L) f = 38.9MHz
 Sound carrier relative level = -20dB (R) f = 33.4MHz
 V_i = 10mV Video carrier modulated with syncs ; V₂₂ = 2V, unless otherwise specified.

2. FRENCH SOUND CHANNEL

V_i = 10mV (Carrier level) ; f₀ = 39.2MHz ; F_m = 1kHz ; m = 80% ; V₂₂ = 0.8V, unless otherwise specified.

TEST CIRCUIT



8120B-03.EPS

CIRCUIT OPERATION

The TDA8120B (see block diagram) consists of a video section and a sound section. The integration of both sections on the same chip requires a high isolation at IF frequencies. This is achieved by physically separating the two sections, with separate power supplies and ground pins. In addition, special care has been taken in the choice of pad positions for the IF inputs and sound/video outputs.

The video section consists of three AC-coupled IF stages with more than 60dB AGC range, flat amplitude/frequency response from 10 to 85MHz and linearized phase slope from 30 to 50MHz. Video carrier regeneration is performed by a tuned limiter. The carrier is then applied to the video demodulator through a special circuit which switches the carrier phase from 0 to 180° so that the video polarity can be maintained constant when the standard switches from B/G to L. A noise inverter and a white spot inverter are included to eliminate ultra-black and white pulses.

A top sync or a top white clamping circuit and a minimum DC video component detector are implemented by two double comparators the characteristics of which may be controlled by an external control input to adapt to the modulation type for each standard. The voltage at the output of the two comparators is memorized by an external capacitor and used to drive the AGC network, which allows an input regulation of the video carrier from less than 100μV to 100mV. A delayed control storage

with current output for the tuner AGC completes the video section.

The sound section consists of three IF stages with the same characteristics as the video IF stages and an identical network to control and set the gains of the three IF amplifiers. The output of the third IF stage feeds the AM/AGC detector and the QSS section.

The AM/AGC detector consists of a wideband limiter for AM sound regeneration or video carrier regeneration used to feed the synchronous multiplier and consequently to obtain the AM demodulated audio signal. In addition, a DC voltage proportional to the peak-to-peak value of the video carrier is produced. Two comparators complete the sound AGC loop.

The subsequent QSS section consists of a reference amplifier tuned to the video IF which buffers a wideband limiter to reject completely the video AM information without introducing incidental phase modulation (IPM).

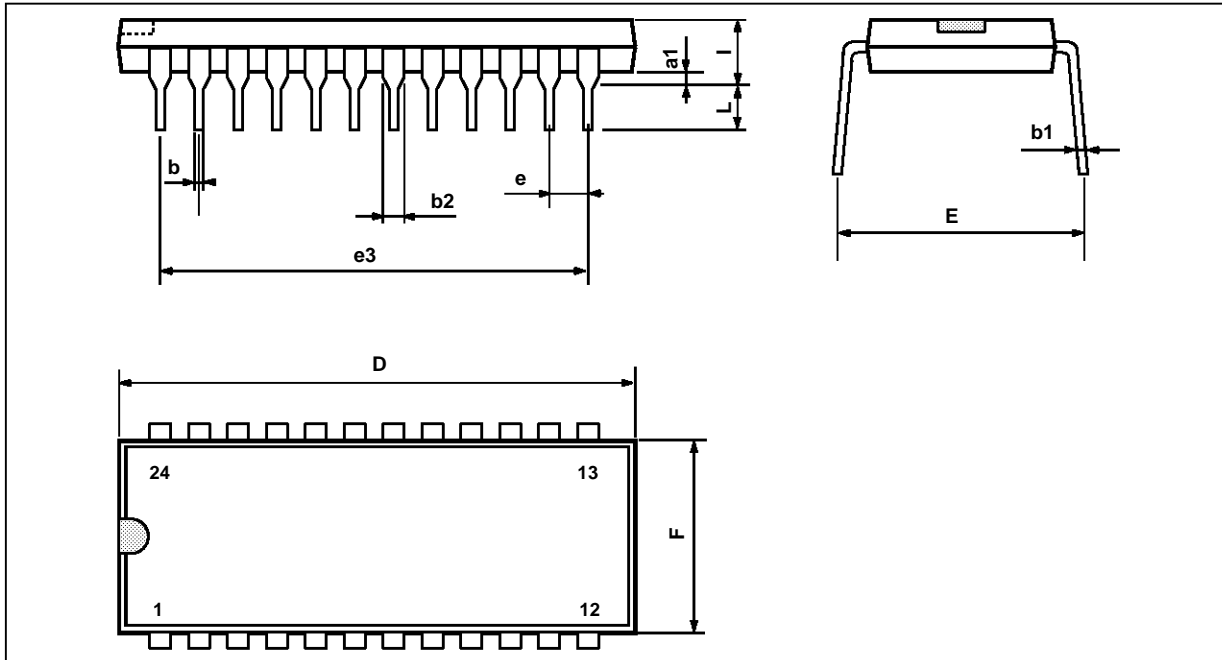
Following the limiter there are a 90° phase shifter and a linear-to-logarithmic converter which drives a linear multiplier as a demodulator for the intercarrier 2nd sound IF. This quadrature multiplier rejects all video components transmitted in DSB that is low frequency components of the video signal.

In addition to the sound and video sections, the TDA8120B includes a block for standard switching (B/G or L) controlled by a TTL-compatible input.

TDA8120B

PACKAGE MECHANICAL DATA

24 PINS - PLASTIC DIP



PIM-DIP24.EPS

Dimensions	Millimeters			Inches		
	Min.	Typ.	Max.	Min.	Typ.	Max.
a1		0.63			0.025	
b		0.45			0.018	
b1	0.23		0.31	0.009		0.012
b2		1.27			0.050	
D			32.2			1.268
E	15.2		16.68	0.598		0.657
e		2.54			0.100	
e3		27.94			1.100	
F			14.1			0.555
i		4.445			0.175	
L		3.3			0.130	

DIP24.TBL

Information furnished is believed to be accurate and reliable. However, SGS-THOMSON Microelectronics assumes no responsibility for the consequences of use of such information nor for any infringement of patents or other rights of third parties which may result from its use. No licence is granted by implication or otherwise under any patent or patent rights of SGS-THOMSON Microelectronics. Specifications mentioned in this publication are subject to change without notice. This publication supersedes and replaces all information previously supplied. SGS-THOMSON Microelectronics products are not authorized for use as critical components in life support devices or systems without express written approval of SGS-THOMSON Microelectronics.

© 1994 SGS-THOMSON Microelectronics - All Rights Reserved

Purchase of I²C Components of SGS-THOMSON Microelectronics, conveys a license under the Philips I²C Patent. Rights to use these components in a I²C system, is granted provided that the system conforms to the I²C Standard Specifications as defined by Philips.

SGS-THOMSON Microelectronics GROUP OF COMPANIES

Australia - Brazil - China - France - Germany - Hong Kong - Italy - Japan - Korea - Malaysia - Malta - Morocco
The Netherlands - Singapore - Spain - Sweden - Switzerland - Taiwan - Thailand - United Kingdom - U.S.A.