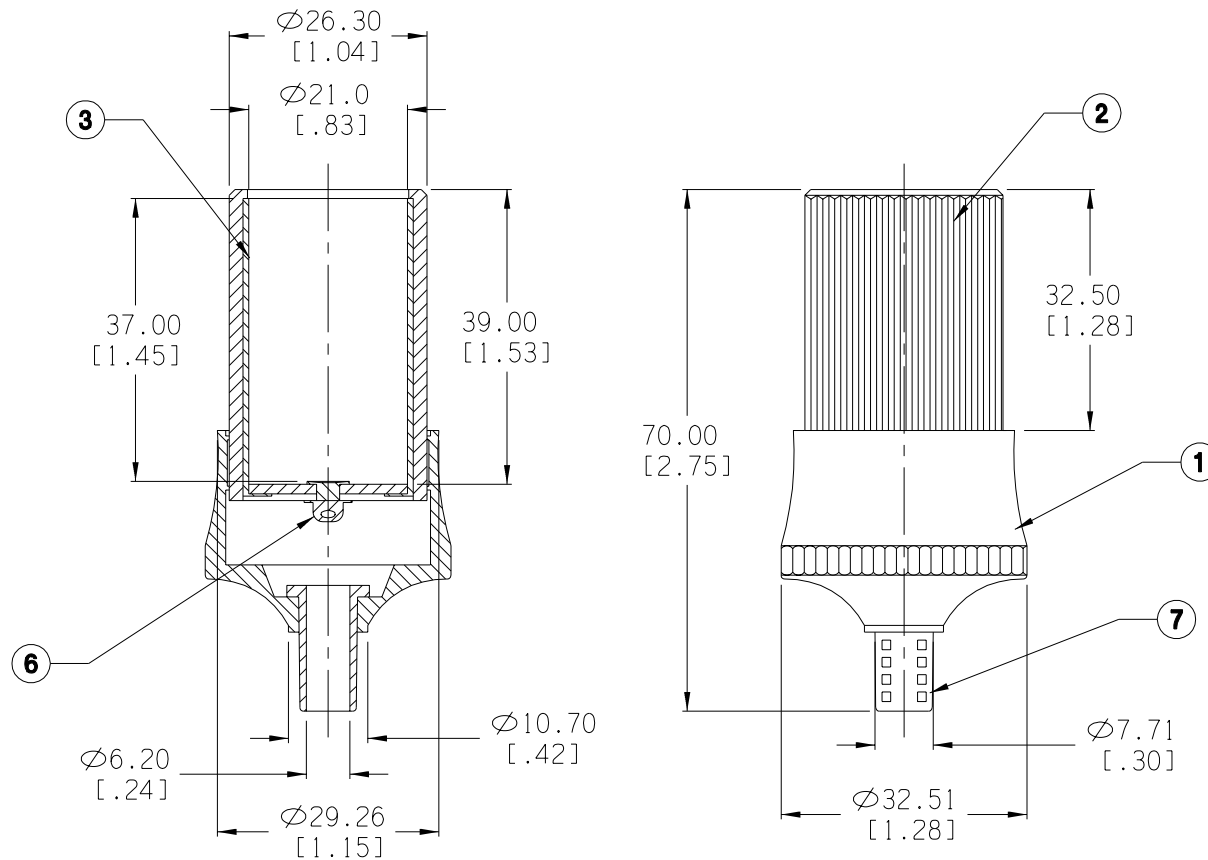



Date	SYM	REVISION RECORD	AUTH	DR.	CK.



ITEM NO.	PART NAME	MATL. SPECIFICATION
1	CAP	ABS, UL94-HB, FILE NO. E56070(S)
2	BODY	ABS, UL94-HB, FILE NO. E56070(S)
3	(-) TERMINAL	BRASS
4	INSULATION	BAKELITE, UL FILE NO. E59481(S)
5	BASE	BRASS
6	(+) TERMINAL	BRASS
7	STRAIN RELIEF	PVC

Tolerance (Inches)	 Memory Protection Devices, Inc. 200 Broad Hollow Road, Farmingdale, New York 11735	Scale	Drawn By B.S.
Decimal ±.5 (.020)		Approved By T.B.	
Fractional ±.8 (.030)	Title PLASTIC CIGARETTE SOCKET		
Angular ± 3°	Date 12/07/02	Drawing Number ZA2010	