

CMOS 8-Bit microcomputer

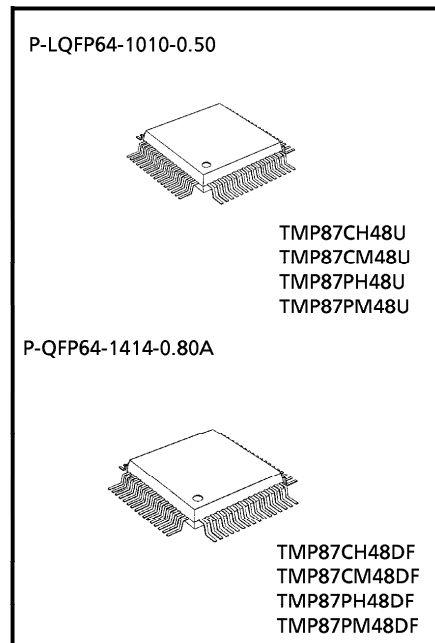
**TMP87CH48U/DF, TMP87CM48U/DF**

TMP87CH48/CM48 are a low power, high-speed and high-performance 8-bit single chip microcomputer, including large capacity ROM/RAM, input/output ports, a multiple timer counter, serial interfaces (UART, I<sup>2</sup>C bus, and SIO), four 12-bit PWM outputs, a 10-bit AD converter and two oscillators.

Product No.	ROM	RAM	Package	OTP
TMP87CH48U	16 Kbytes	512 bytes	P-LQFP64-1010-0.50	TMP87PH48U
TMP87CH48DF			P-QFP64-1414-0.80A	TMP87PH48DF
TMP87PM48U	32 Kbytes	1 Kbytes	P-LQFP64-1010-0.50	TMP87PM48U
TMP87PM48DF			P-QFP64-1414-0.80A	TMP87PM48DF

**Features**

- ◆ 8-bit single chip microcomputer TLCS-870 series
- ◆ Minimum instruction execution time: 0.5  $\mu$ s (at 8 MHz), 122  $\mu$ s (at 32.768 kHz)
- ◆ 412 basic machine instructions: 129 types
- ◆ 15 interrupt sources (External: 6, Internal: 9)
  - All sources have independent latches each, and nested interrupt control is available.
  - Edge-selectable external interrupts with noise reject.
  - High-speed task switching by register bank changeover
- ◆ Input/output ports (56 pins)
  - High current output: 8 pins (Typ.20 mA), LED direct drive
- ◆ 16-bit timer counters: 2 channels
  - Timer, Event counter, PPG (Programmable Pulse Generator) output, Pulse width measurement, External trigger timer, Window modes



030619EBP2

● The information contained herein is subject to change without notice.  
 ● The information contained herein is presented only as a guide for the applications of our products. No responsibility is assumed by TOSHIBA for any infringements of patents or other rights of the third parties which may result from its use. No license is granted by implication or otherwise under any patent or patent rights of TOSHIBA or others.  
 ● TOSHIBA is continually working to improve the quality and reliability of its products. Nevertheless, semiconductor devices in general can malfunction or fail due to their inherent electrical sensitivity and vulnerability to physical stress. It is the responsibility of the buyer, when utilizing TOSHIBA products, to comply with the standards of safety in making a safe design for the entire system, and to avoid situations in which a malfunction or failure of such TOSHIBA products could cause loss of human life, bodily injury or damage to property. In developing your designs, please ensure that TOSHIBA products are used within specified operating ranges as set forth in the most recent TOSHIBA products specifications. Also, please keep in mind the precautions and conditions set forth in the "Handling Guide for Semiconductor Devices," or "TOSHIBA Semiconductor Reliability Handbook" etc..  
 ● The TOSHIBA products listed in this document are intended for usage in general electronics applications (computer, personal equipment, office equipment, measuring equipment, industrial robotics, domestic appliances, etc.). These TOSHIBA products are neither intended nor warranted for usage in equipment that requires extraordinarily high quality and/or reliability or a malfunction or failure of which may cause loss of human life or bodily injury ("Unintended Usage"). Unintended Usage include atomic energy control instruments, airplane or spaceship instruments, transportation instruments, traffic signal instruments, combustion control instruments, medical instruments, all types of safety devices, etc.. Unintended Usage of TOSHIBA products listed in this document shall be made at the customer's own risk.  
 ● The products described in this document are subject to the foreign exchange and foreign trade laws.  
 ● TOSHIBA products should not be embedded to the downstream products which are prohibited to be produced and sold, under any law and regulations.  
 ● For a discussion of how the reliability of microcontrollers can be predicted, please refer to Section 1.3 of the chapter entitled Quality and Reliability Assurance / Handling Precautions.

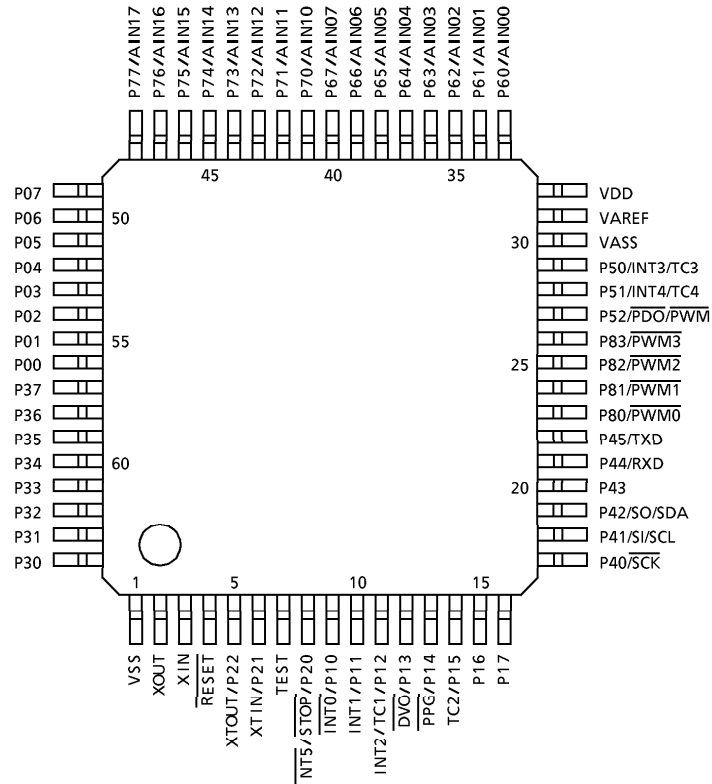


Purchase of TOSHIBA I<sup>2</sup>C components conveys a license under the Philips I<sup>2</sup>C Patent Rights to use these components in an I<sup>2</sup>C system, provided that the system conforms to the I<sup>2</sup>C Standard Specification as defined by Philips.

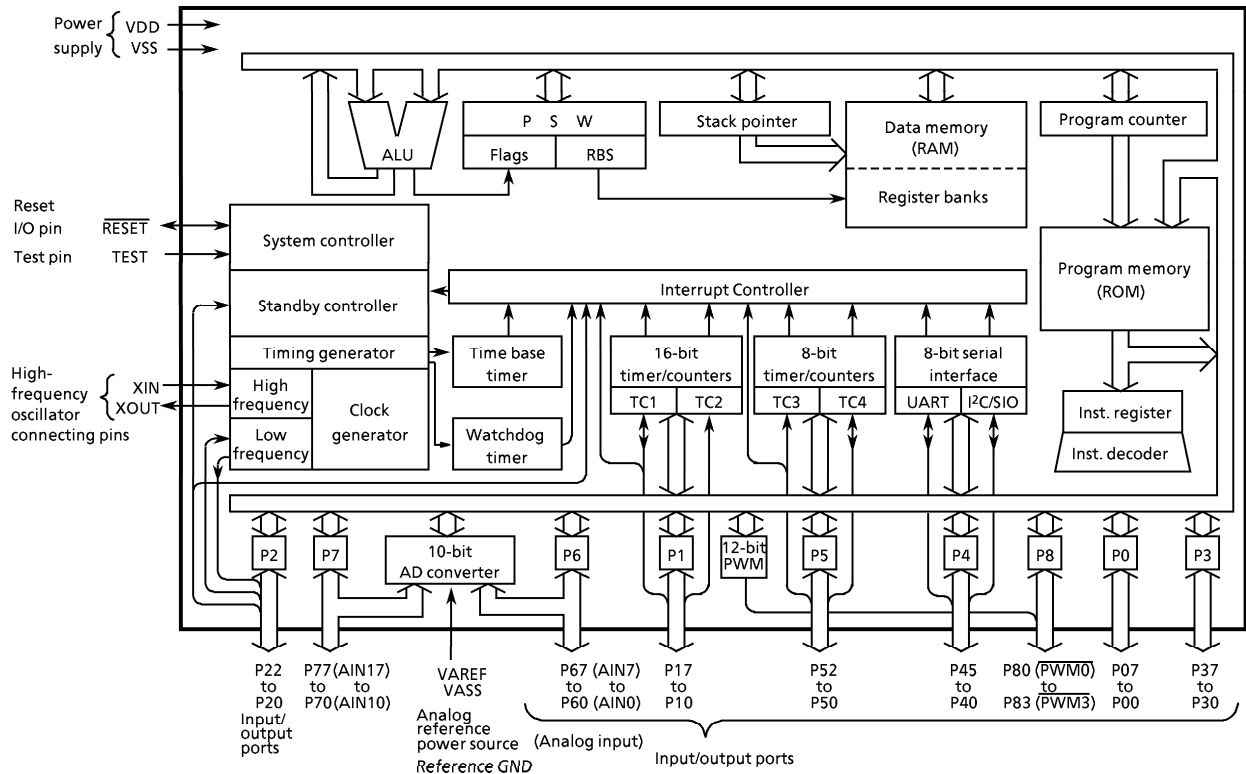
- ◆ 8-bit timer counters: 2 channels
  - Timer, Event counter, Capture (Pulse width/duty measurement)  
PWM (Changeable pulse width)  
output, PDO (ProgrammableDivider Output)
- ◆ Time base timer (Interrupt frequency: 1 to 16384 Hz)
- ◆ Divider output functions (Frequency: 1 to 8 kHz)
- ◆ Watchdog timer
  - Interrupt/reset output (programmable)
- ◆ DA conversion (Changeable pulse width) output
  - 12-bit resolution: 4 channels
- ◆ UART: 1 channel (Parity/framing/overrun error detection)
- ◆ Serial bus interface (SBI-ver. B) 1 channel (I<sup>2</sup>C bus or clock synchronous SIO)
- ◆ 10-bit successive approximation type AD converter
  - Analog input: 16 channels
  - Conversion time: 24.5  $\mu$ s or 98  $\mu$ s (at 8 MHz)
- ◆ Clock oscillation circuit: Two circuits
  - Single/dual clock modes (Initial mode is always set to a single clock mode.)
- ◆ Low consumption power (Five modes)
  - STOP mode: Oscillation stop (Battery/capacitor back-up). Port output hold/high-impedance.
  - SLOW mode: Low consumption power operation by low-frequency clock
  - IDEL1 mode: CPU stops, and only peripheral hardware operates using high-frequency clock. Release by interrupts (CPU restarts).
  - IDEL2 mode: CPU stops, and only peripheral hardware operates using high or low-frequency clock). Release by interrupts.
  - SLEEP mode: CPU stops, and only peripheral hardware operates using low-frequency clock. Release by interrupts.
- ◆ Operation voltage: 2.7 to 5.5 V at 4.2 MHz/32.768 kHz, 4.5 to 5.5 V at 8 MHz/32.768 kHz
- ◆ Emulation pod: BM87CH48/CM48U0A

Pin Assignments (Top View)

P-LQFP64-1010-0.50  
P-QFP64-1414-0.80A



Block Diagram



## Pin Function

Pin Name	Input/Output	Functions	
P07 to P00	I/O	8-bit programmable input/output port (tri-state). Each bit of these ports can be individually configured as an input or an output under software control. When used as an external interrupt input or a timer counter input, the latch must be set to input mode. When used as PPG output or a divider output, the output latch must be set to "1".	
P17, P16	I/O		
P15 (TC2)	I/O (Input)		Timer counter 2 input
P14 (PPG)	I/O (Output)		Programmable pulse generator output
P13 ( $\overline{\text{DVO}}$ )			Divider output
P12 (INT2/TC1)	I/O (Input)		External interrupt input 2 or Timer counter 1 input
P11 (INT1)			External interrupt input 1
P10 (INT0)			External interrupt input 0
P22 (XTOUT)	I/O (Output)	3-bit input/output port. When used as an input port, an oscillator connecting pin, an external interrupt input or STOP mode release input of P20, the output latch must be set to "1".	Low-frequency oscillator connecting pins (32.768 kHz). For inputting external clock, XTIN is used and XTOUT is opened.
P21 (XTIN)	I/O (Input)		External interrupt input 5 or STOP mode release signal input
P20 (INT5/STOP)			
P37 to P30	I/O	8-bit input/output port (high current output). When used as an input port, the output latch must be set to "1".	
P45 (TxD)	I/O (Output)	8-bit input/output port. When used as an input port, a serial interface pin, the output latch must be set to "1".	UART serial data output (send)
P44 (RxD)	I/O (Input)		UART serial data output (receive)
P43	I/O		SIO serial data output or I <sup>2</sup> C bus data input/output
P42 (SO/SDA)	I/O (Output, I/O)		
P41 (SI/SCL)	I/O (Input, I/O)		SIO serial data output or I <sup>2</sup> C bus clock input/output
P40 ( $\overline{\text{SCK}}$ )	I/O (I/O)		SIO serial clock input/output
P52 (PWM/PDO)	I/O (Output)		3-bit input/output port. When used as an input port, PWM output, high-speed PWM output, a programmable divider output, an external interrupt input or timer counter input, the output latch must be set to "1".
P51 (INT4/TC4)	I/O (Input)	External interrupt input 4 or Timer counter 4 input	
P50 (INT3/TC3)		External interrupt input 3 or Timer counter 3 input	
P67 (AIN7) to P60 (AIN0)	I/O	8-bit programmable input/output port (tri-state). Each bit of these ports can be individually configured as an input or an output under software control. When used as an analog input, the latch must be set to an analog input mode by P6CR and P7CR.)	AD converter analog input
P77 (AIN17) to P70 (AIN10)			
P83 ( $\overline{\text{PWM3}}$ ) to P80 ( $\overline{\text{PWM0}}$ )	I/O (Output)	4-bit programmable input/output port (tri-state). Each bit of the port can be individually configured as an input or an output under software control. An input or an output is determined by setting P8CR.	DA conversion (PWM) output ( $\overline{\text{PWM3}}$ to $\overline{\text{PWM0}}$ )
XIN, XOUT	Input, Output	Oscillator connecting pins for high frequency clock. For inputting external clock, XIN is used and XOUT is opened.	
$\overline{\text{RESET}}$	I/O	Reset signal input or watchdog timer output/address-trap-reset output/system-clock-reset output.	
TEST	Input	Test pin for outgoing test. Be externally tied to low.	
VDD, VSS	Power Supply	+ 5 V, 0 V (GND)	
VAREF, VASS		AD conversion analog reference voltage, Reference GND.	

Operational Description

1. CPU Core Functions

The CPU core consists of a CPU, a system clock controller, an interrupt controller, and a watchdog timer. This section provides a description of the CPU core, the program memory (ROM), the data memory (RAM), and the reset circuit.

1.1 Memory Address Map

The TLCS-870 Series is capable of addressing 64 Kbytes of memory. Figure 1-1 shows the memory address maps of the TMP87CH48/CM48. In the TLCS-870 Series, the memory is organized 4 address spaces (ROM, RAM, SFR, and DBR). It uses a memory mapped I/O system, and all I/O registers are mapped in the SFR/DBR address spaces. There are 16 banks of general-purpose registers. The register banks are also assigned to the first 128 bytes of the RAM address space.

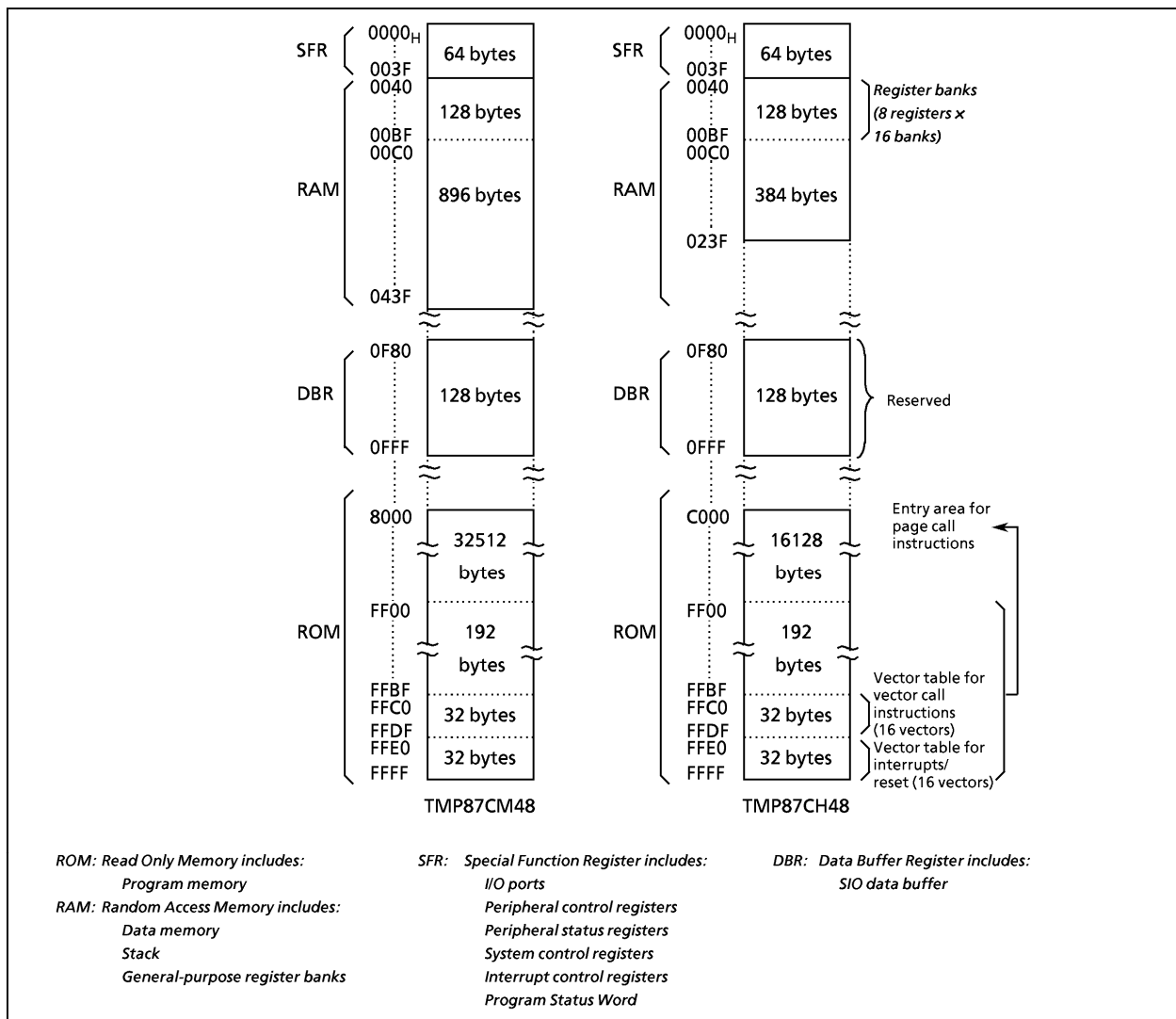


Figure 1-1. Memory Address Maps

### 1.2 Program Memory (ROM)

The TMP87CH48 has a 16K × 8-bit (Addresses C000<sub>H</sub> to FFFF<sub>H</sub>), the TMP87CM48 has a 32K × 8-bit (Addresses 8000<sub>H</sub> to FFFF<sub>H</sub>) of program memory (Mask programmed ROM).

Addresses FF00<sub>H</sub> to FFFF<sub>H</sub> in the program memory can also be used for special purposes.

(1) **Interrupt/Reset** vector table (Addresses FFE0<sub>H</sub> to FFFF<sub>H</sub>)

This table consists of a reset vector and 15 interrupt vectors (2 bytes/vector). These vectors store a reset start address and interrupt service routine entry addresses.

(2) Vector table for **vector call** instructions (Addresses FFC0<sub>H</sub> to FFDF<sub>H</sub>)

This table stores call vectors (Subroutine entry address, 2 bytes/vector) for the vector call instructions [CALLV n]. There are 16 vectors. The CALLV instruction increases memory efficiency when utilized for frequently used subroutine calls (Called from 3 or more locations).

(3) Entry area (Addresses FF00<sub>H</sub> to FFFF<sub>H</sub>) for page call instructions

This is the subroutine entry address area for the page call instructions [CALLP n]. Addresses FF00<sub>H</sub> to FFBF<sub>H</sub> are normally used because address FFC0<sub>H</sub> to FFFF<sub>H</sub> are used for the vector tables.

Programs and fixed data are stored in the program memory. The instruction to be executed next is read from the address indicated by the current contents of the program counter (PC). There are relative jump and absolute jump instructions. The concepts of page or bank boundaries are not used in the program memory concerning any jump instruction.

Example: The relationship between the jump instructions and the PC.

- ① 5-bit PC-relative jump [JRS cc, \$ + 2 + d]  
 E8C4H: JRS T, \$ + 2 + 08H  
 When JF = 1, the jump is made to E8CE<sub>H</sub>, which is 08<sub>H</sub> added to the contents of the PC. (The PC contains the address of the instruction being executed + 2; therefore, in this case, the PC contents are E8C4<sub>H</sub> + 2 = E8C6<sub>H</sub>.)

- ② 8-bit PC-relative jump [JR cc, \$ + 2 + d]  
 E8C4H: JR Z, \$ + 2 + 80H  
 When ZF = 1, the jump is made to E846<sub>H</sub>, which is FF80<sub>H</sub> (− 128) added to the current contents of the PC.

- ③ 16-bit absolute jump [JP a]  
 E8C4H: JP 0C235H  
 An unconditional jump is made to address C235<sub>H</sub>. The absolute jump instruction can jump anywhere within the entire 64-Kbyte space.

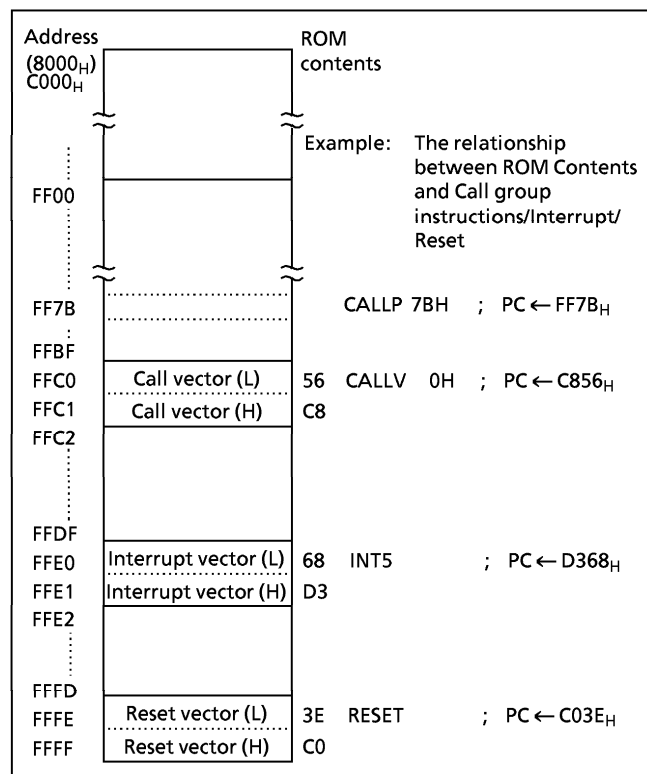


Figure 1-2. Program Memory Map

In the TLCS-870 Series, the same instruction used to access the data memory (e.g. [LD A, (HL)]) is also used to read out fixed data (ROM data) stored in the program memory. The register-offset PC-relative addressing (PC + A) instructions can also be used, and the code conversion, table look-up and n-way multiple jump processing can easily be programmed.

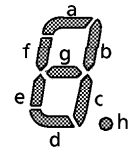
Example 1: Loads the ROM contents at the address specified by the HL register pair contents into the accumulator (TMP87CH48/CM48:  $HL \geq C000_H$ ):

```
LD    A, (HL)          ; A ← ROM (HL)
```

Example 2: Converts BCD to 7-segment code (Common anode LED). When  $A = 05_H$ ,  $92_H$  is output to port P3 after executing the following program:

```
ADD   A, TABLE - $ - 4 ; P3 ← ROM (TABLE + A)
LD    (P3), (PC + A)
JRS   T, SNEXT
TABLE: DB 0C0H, 0F9H, 0A4H, 0B0H, 99H, 92H, 82H, 0D8H, 80H, 98H
SNEXT:
```

Note: "\$" is a header address of ADD instruction.  
DB is a byte data definition instruction.



SHLC A
JP (PC + A)
34
C2
78
C3
37
DA
B0
E1

Example 3: N-way multiple jump in accordance with the contents of accumulator ( $0 \leq A \leq 3$ ):

```
SHLC   A ; if A = 00_H then PC ← C234_H
JP     (PC + A) ; if A = 01_H then PC ← C378_H
                ; if A = 02_H then PC ← DA37_H
                ; if A = 03_H then PC ← E1B0_H
DW     0C234H, 0C378H, 0DA37H, 0E1B0H
```

Note: DW is a word data definition instruction.

### 1.3 Program Counter (PC)

The program counter (PC) is a 16-bit register which indicates the program memory address where the instruction to be executed next is stored. After reset, the user defined reset vector stored in the vector table (Addresses  $FFFF_H$  and  $FFFE_H$ ) is loaded into the PC ; therefore, program execution is possible from any desired address. For example, when  $C0_H$  and  $3E_H$  are stored at addresses  $FFFF_H$  and  $FFFE_H$ , respectively, the execution starts from address  $C03E_H$  after reset.

The TLCS-870 Series utilizes pipelined processing (Instruction pre-fetch); therefore, the PC always indicates 2 addresses in advance. For example, while a 1-byte instruction stored at address  $C123_H$  is being executed, the PC contains  $C125_H$ .

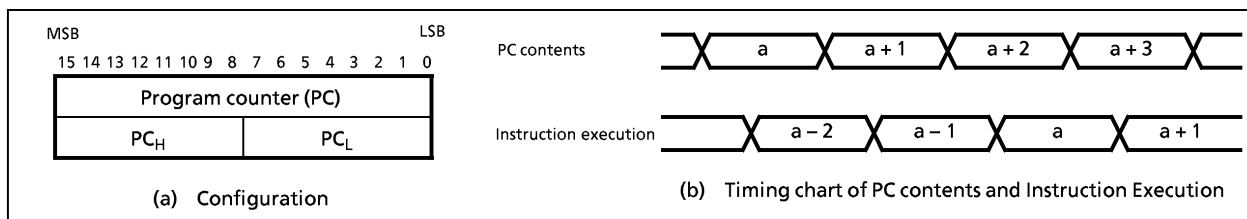


Figure 1-3. Program Counter

### 1.4 Data Memory (RAM)

The TMP87CH48 has a  $512 \times 8$ -bit (Addresses  $0040_H$  to  $023F_H$ ), the TMP87CM48 has a  $1K \times 8$ -bit (Address  $0040_H$  to  $043F_H$ ) of data memory (Static RAM). Figure 1-4 shows the data memory map.

Addresses  $0000_H$  to  $00FF_H$  are used as a direct addressing area to enhance instructions which utilize this addressing mode; therefore, addresses  $0040_H$  to  $00FF_H$  in the data memory can also be used for user flags or user counters. General-purpose register banks (8 registers  $\times$  16 banks) are also assigned to the 128 bytes of addresses  $0040_H$  to  $00BF_H$ . Access as data memory is still possible even when being used for registers. For example, when the contents of the data memory at address  $0040_H$  is read out, the contents of the accumulator in the bank 0 are also read out. The stack can be located anywhere within the data memory except the register bank area. The stack depth is limited only by the free data memory size. For more details on the stack, see section "1.7 Stack and Stack Pointer".

With the TMP87CH48/CM48, programs in data memory cannot be executed. If the program counter indicates a data memory address (Addresses  $0040_H$  to  $023F_H$  for TMP87CH48, address  $0040_H$  to  $043F_H$  for TMP87CM48) an address-trap-reset is generated due to bus error. (Output from the  $\overline{\text{RESET}}$  pin goes low.)

Example 1: If bit 2 at data memory address  $00C0_H$  is "1",  $00_H$  is written to data memory at address  $00E3_H$ ; otherwise,  $FF_H$  is written to the data memory at address  $00E3_H$ .

```

TEST    (00C0H).2      ; if (00C0H)2 = 0 then jump
JRS     T,SZERO
CLR     (00E3H)        ; (00E3H) ← 00H
JRS     T,SNEXT
SZERO:  LD     (00E3H), 0FFH ; (00E3H) ← FFH
SNEXT:

```

Example 2: Increments the contents of data memory at address  $00F5_H$ , and clears to  $00_H$  when  $10_H$  is exceeded.

```

INC     (00F5H)        ; (00F5H) ← (00F5H) + 1
AND     (00F5H), 0FH   ; (00F5H) ← (00F5H) ∧ 0FH

```

The data memory contents become unstable when the power supply is turned on; therefore, the data memory should be initialized by an initialization routine.

Note that the general-purpose registers are mapped in the RAM ; therefore, do not clear RAM at the current bank addresses.

Example 1: Clears RAM to "00<sub>H</sub>" except the bank 0 (TMP87CM48)

```

LD     HL, 0048H      ; Sets start address to HL register pair.
LD     A, H           ; Sets initial data (00H) to A register.
LD     BC, 03F7H     ; Sets number of byte to BC register pair.
SRAMCLR: LD    (HL+), A
DEC    BC
JRS   F, SRAMCLR

```



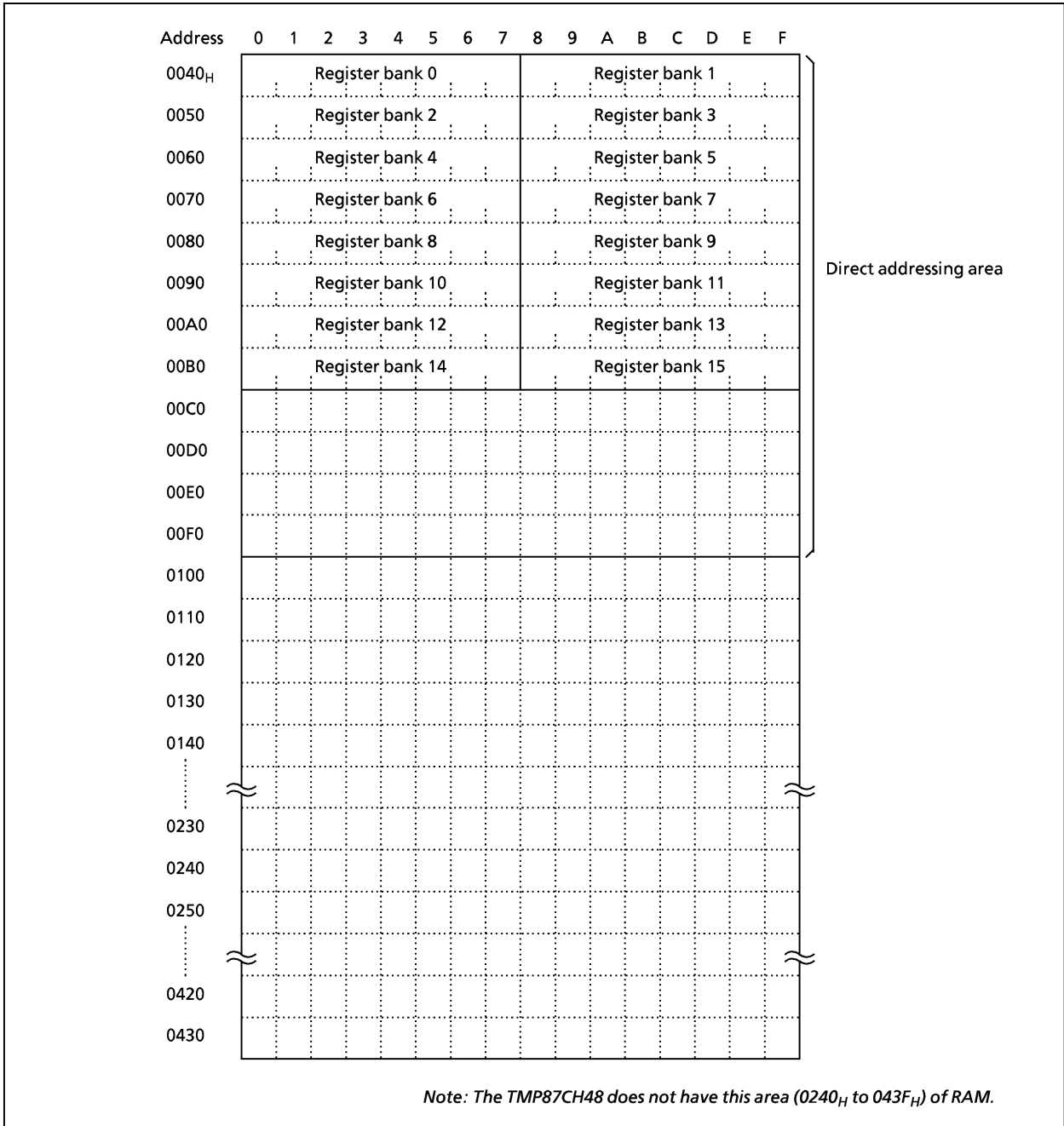


Figure 1-4. Data Memory Map

## 1.5 General-purpose Register Banks

General-purpose registers are mapped into addresses 0040<sub>H</sub> to 00BF<sub>H</sub> in the data memory as shown in Figure 1-4. There are 16 register banks, and each bank contains eight 8-bit registers W, A, B, C, D, E, H, and L. Figure 1-5 shows the general-purpose register bank configuration.

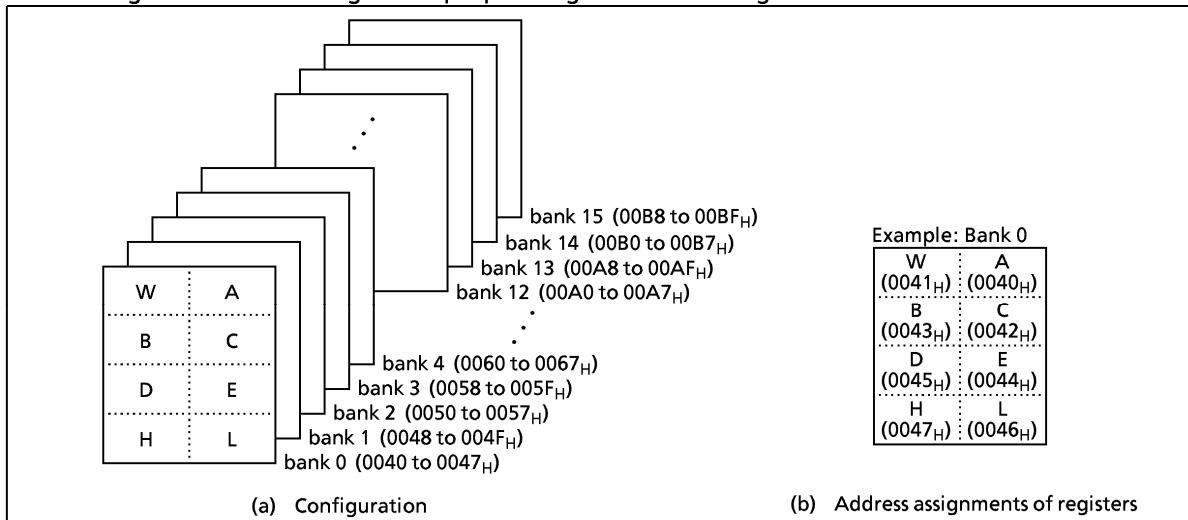


Figure 1-5. General-purpose Register Banks

In addition to access in 8-bit units, the registers can also be accessed in 16-bit units as the register pairs WA, BC, DE, and HL. Besides its function as a general-purpose register, the register also has the following functions:

### (1) A, WA

The A register functions as an 8-bit accumulator and WA the register pair functions as a 16-bit accumulator (W is high byte and A is low byte). Registers other than A can also be used as accumulators for 8-bit operations.

Example:

①	ADD A, B	; Adds B contents to A contents and stores the result into A.
②	SUB WA, 1234H	; Subtracts 1234 <sub>H</sub> from WA contents and stores the result into WA.
③	SUB E, A	; Subtracts A contents from E contents, and stores the result into E.

### (2) HL, DE

The HL and DE specify a memory address. The HL register pair functions as data pointer (HL) /index register (HL + d) /base register (HL + C), and the DE register pair function as a data pointer (DE). The HL also has an auto-post-increment and auto-pre-decrement functions. This function simplifies multiple digit data processing, software LIFO (last-in first-out) processing, etc.

Example 1:

①	LD A, (HL)	; Loads the memory contents at the address specified by HL into A.
②	LD A, (HL + 52H)	; Loads the memory contents at the address specified by the value obtained by adding 52 <sub>H</sub> to HL contents into A.
③	LD A, (HL + C)	; Loads the memory contents at the address specified by the value obtained by adding the register C contents to HL contents into A.
④	LD A, (HL +)	; Loads the memory contents at the address specified by HL into A. Then increments HL.
⑤	LD A, (-HL)	; Decrements HL. Then loads the memory contents at the address specified by new HL into A.

The TLCS-870 Series can transfer data directly memory to memory, and operate directly between memory data and memory data. This facilitates the programming of block processing.

## Example 2: Block transfer

```

LD      m           ; m = n - 1 (n: Number of bytes to transfer)
LD      HL, DSTA   ; Sets destination address to HL.
LD      DE, SRCA   ; Sets source address to DE.
SLOOP: LD      (HL), (DE) ; (HL) ← (DE)
INC     HL         ; HL ← HL + 1
INC     DE         ; DE ← DE + 1
DEC     B         ; B ← B - 1
JRS    F, SLOOP   ; if B ≥ 0 then loop

```

## (3) B, C, BC

Registers B and C can be used as 8-bit buffers or counters, and the BC register pair can be used as a 16-bit buffer or counter. The C register functions as an offset register for register-offset index addressing (refer to example 1 ③ above) and as a divisor register for the division instruction [DIV gg, C].

## Example 1: Repeat processing

```

LD      B, n       ; Sets n as the number of repetitions to B.
SREPEAT: processing ; (n + 1 times processing)
DEC     B
JRS    F, SREPEAT

```

## Example 2: Unsigned integer division (16-bit ÷ 8-bit)

```

DIV     WA, C      ; Divides the WA contents by the C contents, places the
                  ; quotient in A and the remainder in W.

```

The general-purpose register banks are selected by the 4-bit register bank selector (RBS). During reset, the RBS is initialized to "0". The bank selected by the RBS is called the current bank.

Together with the flag, the RBS is assigned to address 003FH in the SFR as the program status word (PSW). There are 3 instructions [LD RBS, n], [PUSH PSW], [POP PSW] to access the PSW. The PSW can be also operated by the memory access instruction.

## Example 1: Incrementing the RBS

```

INC     (003FH)   ; RBS ← RBS + 1

```

## Example 2: Reading the RBS

```

LD      A, (003FH) ; A ← PSW (A3-0 ← RBS, A7-4 ← Flags)

```

Highly efficient programming and high-speed task switching are possible by using bank changeover to save registers during interrupt and to transfer parameters during subroutine processing.

During interrupt, the PSW is automatically saved onto the stack. The bank used before the interrupt was accepted is restored automatically by executing an interrupt return instruction [RETI]/[RETN]; therefore, there is no need for the RBS save/restore software processing.

The TLCS-870 Series supports a maximum of 15 interrupt sources. One bank is assigned to the main program, and one bank can be assigned to each source. Also, to increase the efficiency of data memory usage, assign the same bank to interrupt sources which are not nested.

## Example: Saving/restoring registers during interrupt task using bank changeover.

```

PINT1: LD      RBS, n ; RBS ← n (Bank changeover)
Interrupt processing
RETI   ; Maskable interrupt return (Bank restoring)

```

## 1.6 Program Status Word (PSW)

The program status word (PSW) consists of a register bank selector (RBS) and four flags, and the PSW is assigned to address 003F<sub>H</sub> in the SFR.

The RBS can be read and written using the memory access instruction (e. g. [LD A, (003FH)], [LD (003FH), A]), however the flags can only be read. When writing to the PSW, the change specified by the instruction is made without writing data to the flags. For example, when the instruction [LD (003FH), 05H] is executed, "5" is written to the RBS and the JF is set to "1", but the other flags are not affected.

[PUSH PSW] and [POP PSW] are the PSW access instructions.

### 1.6.1 Register Bank Selector (RBS)

The register bank selector (RBS) is a 4-bit register used to select general-purpose register banks. For example, when RBS = 2, bank 2 is currently selected. During reset, the RBS is initialized to "0".

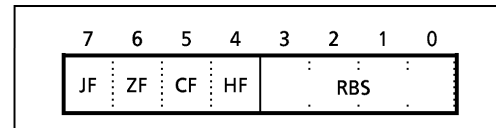


Figure 1-6. PSW (RBS, Flags) Configuration

### 1.6.2 Flags

The flags are configured with the upper 4 bits: a zero flag, a carry flag, a half carry flag and a jump status flag. The flags are set or cleared under conditions specified by the instruction. These flags except the half carry flag are used as jump condition "cc" for conditional jump instructions [JR cc, \$ + 2 + d]/[JRS cc, \$ + 2 + d]. After reset, the jump status flag is initialized to "1", other flags are not affected.

#### (1) Zero flag (ZF)

The ZF is set to "1" if the operation result or the transfer data is 00<sub>H</sub> (for 8-bit operations and data transfers)/0000<sub>H</sub> (for 16-bit operations); otherwise the ZF is cleared to "0".

During the bit manipulation instructions [SET, CLR, and CPL], the ZF is set to "1" if the contents of the specified bit is "0"; otherwise the ZF is cleared to "0".

This flag is set to "1" when the upper 8 bits of the product are 00<sub>H</sub> during the multiplication instruction [MUL], and when 00<sub>H</sub> for the remainder during the division instruction [DIV]; otherwise it is cleared to "0".

#### (2) Carry flag (CF)

The CF is set to "1" when a carry out of the MSB (Most significant bit) of the result occurred during addition or when a borrow into the MSB of the result occurred during subtraction; otherwise the CF is cleared to "0". During division, this flag is set to "1" when the divisor is 00<sub>H</sub> (Divided by zero error), or when the quotient is 100<sub>H</sub> or higher (Overflow error); otherwise it is cleared. The CF is also affected during the shift/rotate instructions [SHLC, SHRC, ROLC, and RORC]. The data shifted out from a register is set to the CF.

This flag is also a 1-bit register (A boolean accumulator) for the bit manipulation instructions.

Set/clear/complement are possible with the CF manipulation instructions.

Example 1: Bit manipulation

```
LD      CF, (0007H) . 5      ; (0001H)2 ← (0007H)5 ∨ (009AH)0
XOR    CF, (009AH) . 0
LD      (0001H) . 2, CF
```

Example 2: Arithmetic right shift

```
LD      CF, A . 7          ; A ← A/2
RORC   A
```

#### (3) Half carry flag (HF)

The HF is set to "1" when a carry occurred between bits 3 and 4 of the operation result during an 8-bit addition, or when a borrow occurred from bit 4 into bit 3 of the result during an 8-bit subtraction; otherwise the HF is cleared to "0". This flag is useful in the decimal adjustment for BCD operations (Adjustments using the [DAA r], or [DAS r] instructions).

Example: BCD operation

(The A becomes 47<sub>H</sub> after executing the following program when A = 19<sub>H</sub>, B = 28<sub>H</sub>)

```

ADD    A, B           ; A ← 41H, HF ← 1
DAA    A              ; A ← 41H + 06H = 47H (decimal-adjust)
    
```

**(4) Jump status flag (JF)**

Zero or carry information is set to the JF after operation (e. g. INC, ADD, CMP, TEST).

The JF provides the jump condition for conditional jump instructions [JRS T/F, \$ + 2 + d], [JR T/F, \$ + 2 + d] (T or F is a condition code). Jump is performed if the JF is "1" for a true condition (T), or the JF is "0" for a false condition (F).

The JF is set to "1" after executing the load/exchange/swap/nibble rotate/jump instruction, so that [JRS T, \$ + 2 + d] and [JR T, \$ + 2 + d] can be regarded as an unconditional jump instruction.

Example: Jump status flag and conditional jump instruction

```

INC    A
JRS    T, SLABLE1    ; Jump when a carry is caused by the immediately
                    ; preceding operation instruction.
:
LD     A, (HL)
JRS    T, SLABLE2    ; JF is set to "1" by the immediately preceding
                    ; instruction, making it an unconditional jump
                    ; instruction.
:
    
```

Example: The accumulator and flags become as shown below after executing the following instructions when the WA register pair, the HL register pair, the data memory at address 00C5<sub>H</sub>, the carry flag and the half carry flag contents being "219A<sub>H</sub>", "00C5<sub>H</sub>", "D7<sub>H</sub>", "1" and "0", respectively.

Instruction	Acc. after Execution	Flag after Execution			
		JF	ZF	CF	HF
ADDC A, (HL)	72	1	0	1	1
SUBB A, (HL)	C2	1	0	1	0
CMP A, (HL)	9A	0	0	1	0
AND A, (HL)	92	0	0	1	0
LD A, (HL)	D7	1	0	1	0
ADD A, 66H	00	1	1	1	1

Instruction	Acc. after Execution	Flag after Execution			
		JF	ZF	CF	HF
INC A	9B	0	0	1	0
ROL A	35	1	0	1	0
ROR A	CD	0	0	0	0
ADD WA, 0F508H	16A2	1	0	1	0
MUL W, A	13DA	0	0	1	0
SET A.5	BA	1	1	1	0

**1.7 Stack and Stack Pointer**

**1.7.1 Stack**

The stack provides the area in which the return address or status, etc. are saved before a jump is performed to the processing routine during the execution of a subroutine call instruction or the acceptance of an interrupt. On a subroutine call instruction [CALL a]/[CALLP n]/[CALLV n], the contents of the PC (The return address) is saved; on an interrupt acceptance, the contents of the PC and the PSW are saved (The PSW is pushed first, followed by PC<sub>H</sub> and PC<sub>L</sub>). Therefore, a subroutine call occupies two bytes on the stack; an interrupt occupies three bytes.

When returning from the processing routine, executing a subroutine return instruction [RET] restores the contents to the PC from the stack; executing an interrupt return instruction [RETI]/[RETN] restores the contents to the PC and the PSW (The PC<sub>L</sub> is popped first, followed by PC<sub>H</sub> and PSW).

The stack can be located anywhere within the data memory space except the register bank area, therefore the stack depth is limited only by the free data memory size.

### 1.7.2 Stack Pointer (SP)

The stack pointer (SP) is a 16-bit register containing the address of the next free locations on the stack.

The SP is post-decremented when a subroutine call or a push instruction is executed, or when an interrupt is accepted; and the SP is pre-incremented when a return or a pop instruction is executed. Figure 1-8 shows the stacking order.

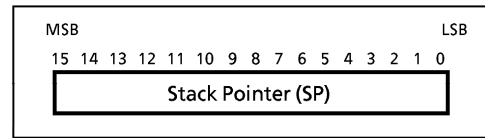


Figure 1-7. Stack Pointer

The SP is not initialized hardware-wise but requires initialization by an initialize routine. (Sets the highest stack address.) [LD SP, mn], [LD SP, gg] and [LD gg, SP] are the SP access instructions (mn: 16-bit immediate data, gg: register pair).

Example 1: To initialize the SP

```
LD    SP, 013FH    ; SP←013FH
```

Example 2: To read the SP

```
LD    HL, SP      ; HL←SP
```

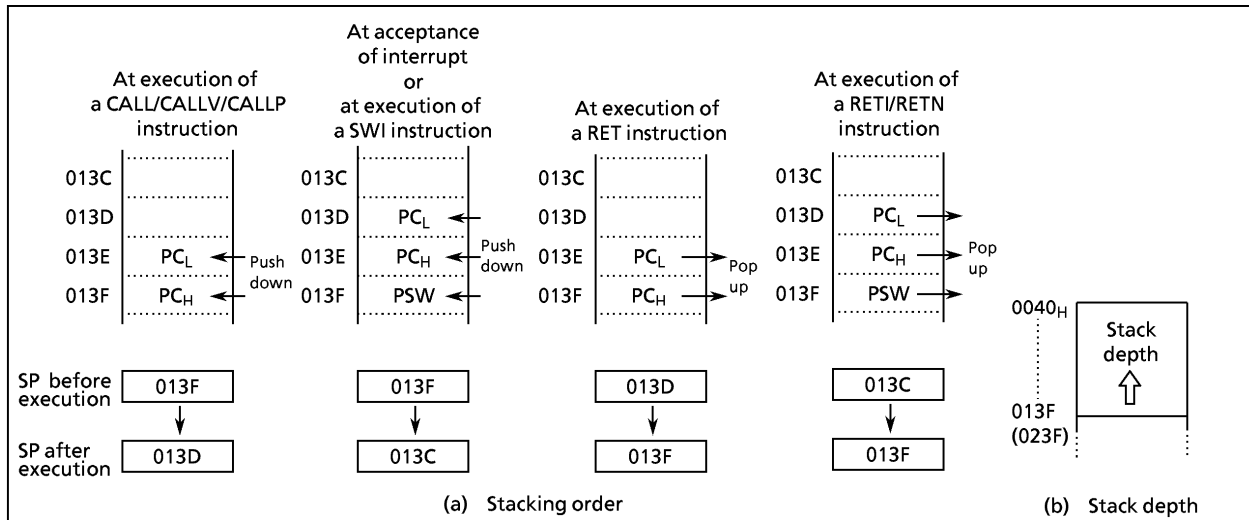


Figure 1-8. Stack

### 1.8 System Clock Controller

The system clock controller consists of a clock generator, a timing generator, and a stand-by controller.

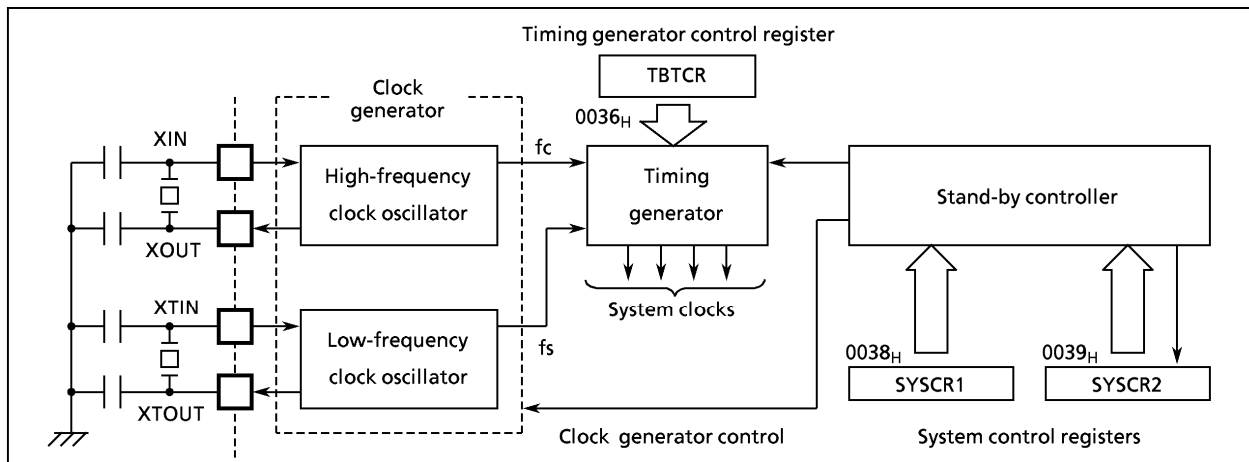


Figure 1-9. System Clock Controller

### 1.8.1 Clock Generator

The clock generator generates the basic clock which provides the system clocks supplied to the CPU core and peripheral hardware. It contains two oscillation circuits: one for the high-frequency clock and one for the low-frequency clock. Power consumption can be reduced by switching of the system clock controller to low-power operation based on the low-frequency clock.

The high-frequency ( $f_c$ ) and low-frequency ( $f_s$ ) clocks can be easily obtained by connecting a resonator between the XIN/XOUT and XTIN/XTOUT pins, respectively. Clock input from an external oscillator is also possible. In this case, external clock is applied to the XIN/XTIN pin with the XOUT/XTOUT pin not connected. The TMP87CH48/CM48 are not provided an RC oscillation.

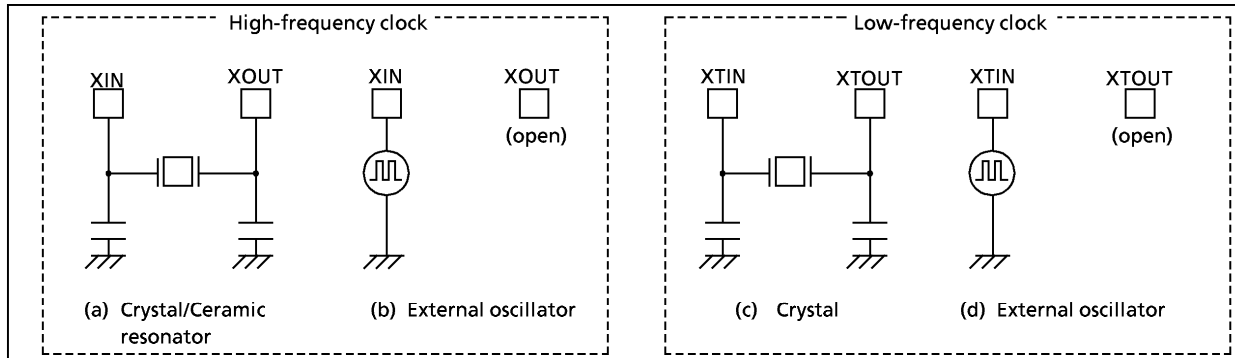


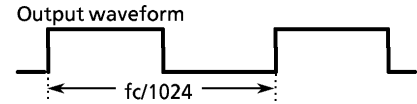
Figure 1-10. Examples of Resonator Connection

**Note: Accurate Adjustment of the Oscillation Frequency:**

Although no hardware to externally and directly monitor the basic clock pulse is not provided, the oscillation frequency can be adjusted by making the program to output fixed frequency pulses to the port while disabling all interrupts and monitoring this pulse. With a system requiring adjustment of the oscillation frequency, the adjusting program must be created beforehand.

Example: To output the high-frequency oscillation frequency adjusting monitor pulse to P13 (DVO) pin.

```
SFCCHK: LD (P1CR), 00001000B ; Configures port P13 as an output.
        SET (P1).3 ; P13 output latch ← 1
        LD (TBTCR), 11100000B ; Enables divider output.
        JRS T, $ ; Loops endless.
```



### 1.8.2 Timing Generator

The timing generator generates from the basic clock the various system clocks supplied to the CPU core and peripheral hardware. The timing generator provides the following functions:

- ① Generation of main system clock
- ② Generation of divider output (DVO) pulses
- ③ Generation of source clocks for time base timer
- ④ Generation of source clocks for watchdog timer
- ⑤ Generation of internal source clocks for timer/counters TC1 – TC4
- ⑥ Generation of internal clocks for serial interfaces SIO1 and SIO2
- ⑦ Generation of warm-up clocks for releasing STOP mode
- ⑧ Generation of a clock for releasing reset output

(1) Configuration of timing generator

The timing generator consists of a 21-stage divider with a divided-by-4 prescaler, a main system clock generator, and machine cycle counters. An input clock to the 7th stage of the divider depends on the operating mode and DV7CK (bit 4 in TBTCR) shown in Figure 1-11 as follows.

During reset and at releasing STOP mode, the divider is cleared to "0", however, the prescaler is not cleared.

- ① In the single-clock mode  
A divided-by-256 of high-frequency clock ( $fc/2^8$ ) is input to the 7th stage of the divider.
- ② In the dual-clock mode  
During NORMAL2 or IDLE2 mode ( $SYSCK = 0$ ), an input clock to the 7th stage of the divider can be selected either " $fc/2^8$ " or " $fs$ " with DV7CK.  
During SLOW or SLEEP mode ( $SYSCK = 1$ ),  $fs$  is automatically input to the 7th stage. To input clock to the 1st stage is stopped ; output from the 1st to 6th stages is also stopped.

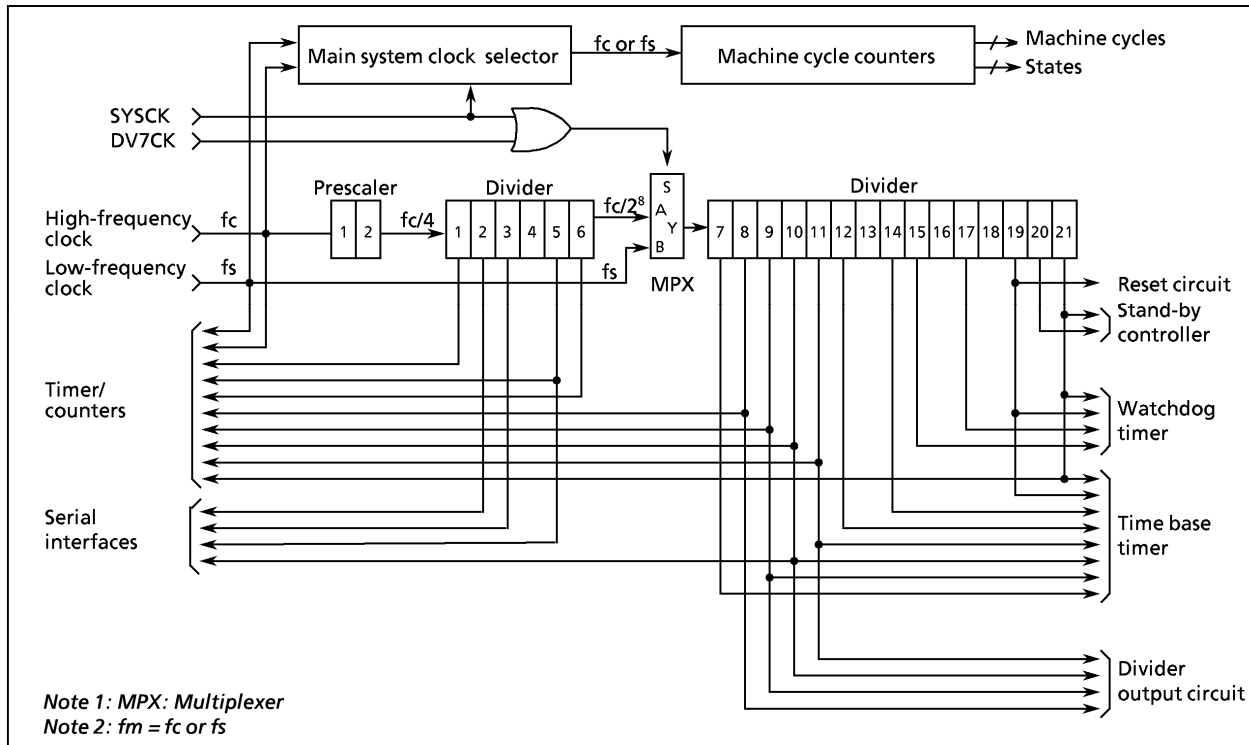


Figure 1-11. Configuration of Timing Generator

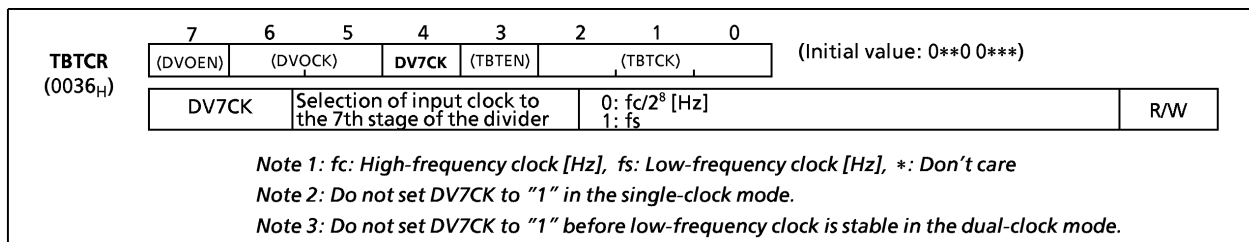


Figure 1-12. Timing Generator Control Register

(2) Machine Cycle

Instruction execution and peripheral hardware operation are synchronized with the main system clock. The minimum instruction execution unit is called an "machine cycle". There are a total of 10 different types of instructions for the TLCS-870 Series: ranging from 1-cycle instructions which require one machine cycle for execution to 10-cycle instructions which require 10 machine cycles for execution.

A machine cycle consists of 4 states (S0 to S3), and each state consists of one main system clock.



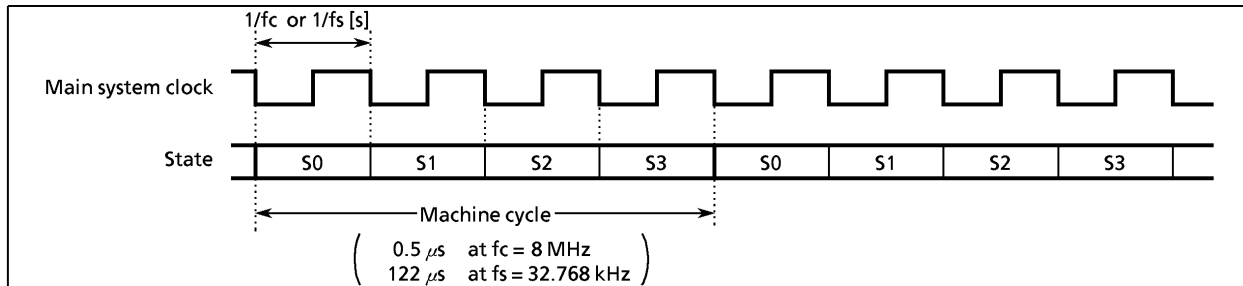


Figure 1-13. Machine Cycle

### 1.8.3 Stand-by Controller

The stand-by controller starts and stops the oscillation circuits for the high-frequency and low-frequency clocks, and switches the main system clock. There are two operating modes: single-clock and dual-clock. These modes are controlled by the system control registers (SYSCR1, SYSCR2).

Figure 1-14 shows the operating mode transition diagram and Figure 1-15 shows the system control registers. Either the single-clock or the dual-clock mode can not be selected by an option during reset, because the TMP87CH48/CM48, TMP87PH48/PM48 don't have option. The TMP87CH48/CM48, TMP87PH48/PM48 are placed in the single-clock mode during reset.

#### (1) Single-clock mode

Only the oscillation circuit for the high-frequency clock is used, and P21 (XTIN) and P22 (XTOUT) pins are used as input/output ports. In the single-clock mode, the machine cycle time is  $4/f_c$  [s] ( $0.5 \mu\text{s}$  at  $f_c = 8$  MHz).

##### ① NORMAL1 mode

In this mode, both the CPU core and on-chip peripherals operate using the high-frequency clock. In the case where the single-clock mode has been selected as an option, the TMP87CH48 are placed in this mode after reset.

##### ② IDLE1 mode

In this mode, the internal oscillation circuit remains active, and the CPU and the watchdog timer are halted; however, on-chip peripherals remain active (Operate using the high-frequency clock). IDLE1 mode is started by setting IDLE bit in the system control register 2 (SYSCR2), and IDLE1 mode is released to NORMAL1 mode by an interrupt request from on-chip peripherals or external interrupt inputs. When IMF (Interrupt master enable flag) is "1" (Interrupt enable), the execution will resume upon acceptance of the interrupt, and the operation will return to normal after the interrupt service is completed. When IMF is "0" (Interrupt disable), the execution will resume with the instruction which follows IDLE mode start instruction.

##### ③ STOP1 mode

In this mode, the internal oscillation circuit is turned off, causing all system operations to be halted. The internal status immediately prior to the halt is held with the lowest power consumption during this mode. The output status of all output ports can be set to either output hold or high-impedance under software control.

STOP1 mode is started by setting STOP bit in the system control register 1 (SYSCR1), and STOP1 mode is released by an input (either level-sensitive or edge-sensitive can be programmably selected) to the  $\overline{\text{STOP}}$  pin. After the warm-up period is completed, the execution resumes with the next instruction which follows the STOP mode start instruction.

## (2) Dual-clock mode

Both high-frequency and low-frequency oscillation circuits are used in this mode. Pins P21 (XTIN) and P22 (XTOUT) cannot be used as input/output ports. The main system clock is obtained from the high-frequency clock in NORMAL2 and IDLE2 modes, and is obtained from the low-frequency clock in SLOW and SLEEP modes. The machine cycle time is  $4/f_c$  [s] ( $0.5 \mu\text{s}$  at  $f_c = 8 \text{ MHz}$ ) in NORMAL2 and IDLE2 modes, and  $4/f_s$  [s] ( $122 \mu\text{s}$  at  $f_s = 32.768 \text{ kHz}$ ) in SLOW and SLEEP modes.

*Note: That the TMP87CH48/CM48, TMP87PH48/PM48 are placed in the single-clock mode during reset. To use the dual-clock mode, the low-frequency oscillator should be turned on by executing [SET (SYSCR2).XTEN] instruction.*

### ① NORMAL2 mode

In this mode, the CPU core operates using the high-frequency clock. On-chip peripherals operate using the high-frequency clock and/or low-frequency clock.

### ② SLOW mode

This mode can be used to reduce power-consumption by turning off oscillation of the high-frequency clock. The CPU core and on-chip peripherals operate using the low-frequency clock.

Switching back and forth between NORMAL2 and SLOW modes is performed by the system control register 2.

### ③ IDLE2 mode

In this mode, the internal oscillation circuits remain active. The CPU and the watchdog timer are halted; however, on-chip peripherals remain active (Operate using the high-frequency clock and/or the low-frequency clock). Starting and releasing of IDLE2 mode are the same as for IDLE1 mode, except that operation returns to NORMAL2 mode.

### ④ SLEEP mode

In this mode, the internal oscillation circuit of the low-frequency clock remains active. The CPU, the watchdog timer, and the internal oscillation circuit of the high-frequency clock are halted; however, on-chip peripherals remain active (Operate using the low-frequency clock). Starting and releasing of SLEEP mode is the same as for IDLE1 mode, except that operation returns to SLOW mode.

### ⑤ STOP2 mode

As in STOP1 mode, all system operations are halted in this mode.

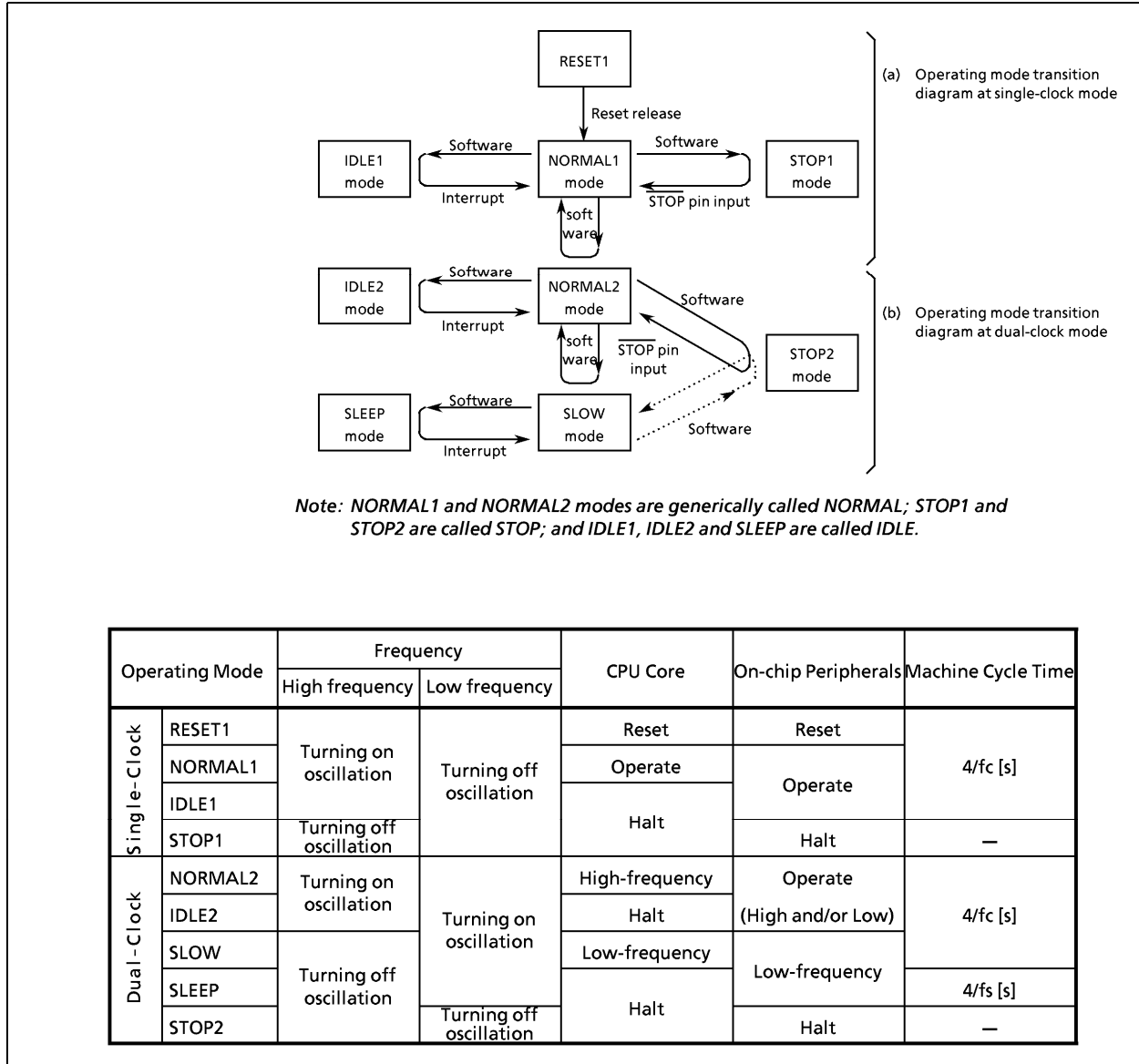


Figure 1-14. Operating Mode Transition Diagram

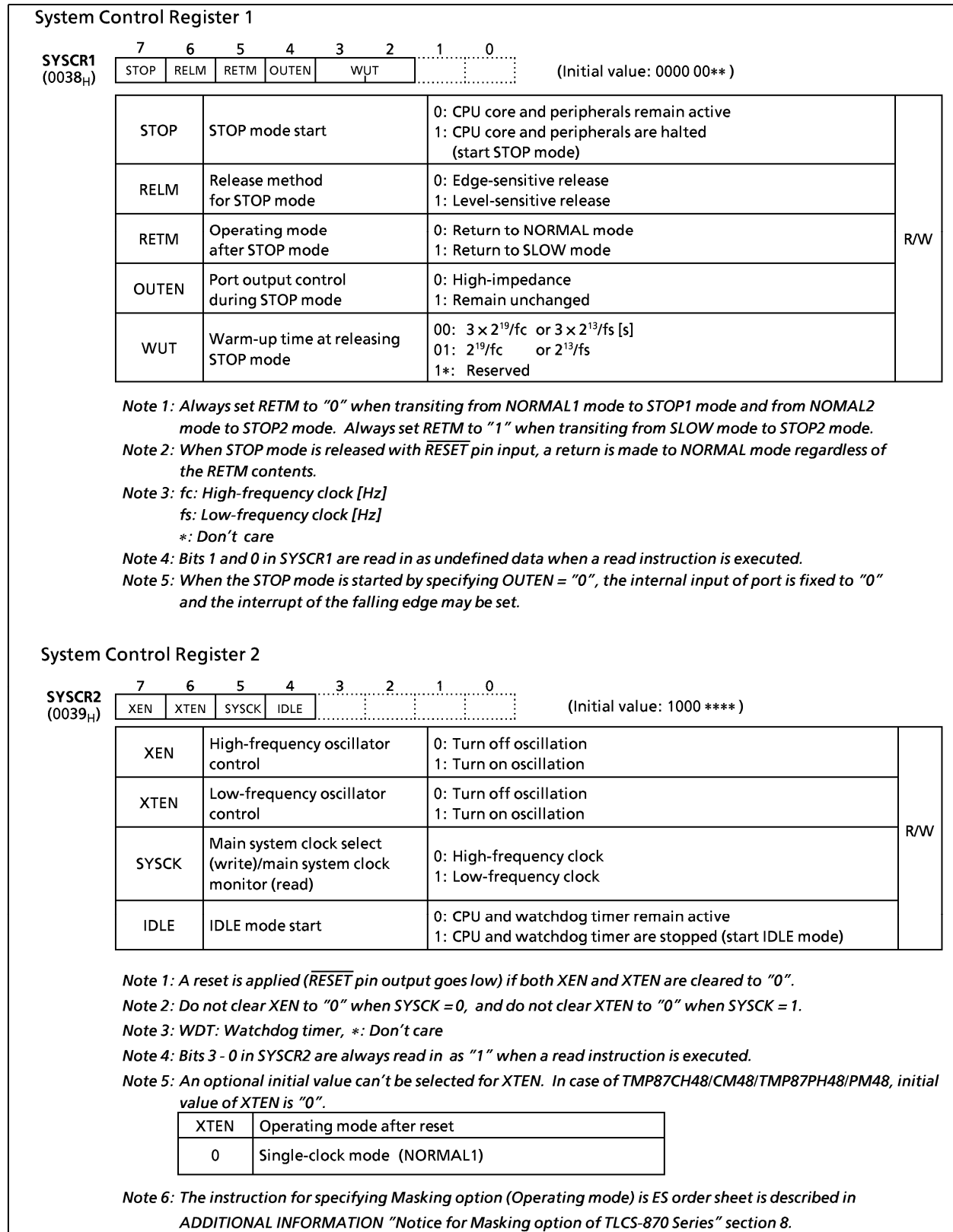


Figure 1-15. System Control Registers

1.8.4 Operating Mode Control

(1) STOP mode (STOP1, STOP2)

STOP mode is controlled by the system control register 1 (SYSCR1) and the  $\overline{STOP}$  pin input. The  $\overline{STOP}$  pin is also used both as a port P20 and an  $\overline{INT5}$  (External interrupt input 5) pin. STOP mode is started by setting STOP (Bit 7 in SYSCR1) to "1". During STOP mode, the following status is maintained.

- ① Oscillations are turned off, and all internal operations are halted.
- ② The data memory (Except for DBR), registers and port output latches are all held in the status in effect before STOP mode was entered. The port output can be select either output hold or high-impedance by setting OUTEN (Bit 4 in SYSCR1).
- ③ The divider of the timing generator is cleared to "0".
- ④ The program counter holds the address of the instruction following the instruction which started the STOP mode.

STOP mode includes a level-sensitive release mode and an edge-sensitive release mode, either of which can be selected with RELM (Bit 6 in SYSCR1).

*Note: In STOP mode changes in external interrupt signals may cause interrupt latches to be set to 1 and interrupt routines to be started immediately after exiting STOP mode. Therefore be sure to enter STOP mode only after exiting STOP mode, be sure to first clear interrupt latches for interrupts not to be used.*

a. Level-sensitive release mode (RELM = 1)

In this mode, STOP mode is released by setting the  $\overline{STOP}$  pin high. This mode is used for capacitor back-up when the main power supply is cut off and long term battery back-up. When the  $\overline{STOP}$  pin input is high, executing an instruction which starts the STOP mode will not place in STOP mode but instead will immediately start the release sequence (Warm-up). Thus, to start STOP mode in the level-sensitive release mode, it is necessary for the program to first confirm that the  $\overline{STOP}$  pin input is low. The following method can be used for confirmation:

- Using an external interrupt input  $\overline{INT5}$  ( $\overline{INT5}$  is a falling edge-sensitive input).

Example: Starting STOP mode with an  $\overline{INT5}$  interrupt.

```

PINT5:   TEST      (P2). 0           ; To reject noise, the STOP mode does not start if
        JRS      F, SINT5          ; port P20 is at high.
        LD      (SYSCR1), 01000000B ; Sets up the level-sensitive release mode.
        SET     (SYSCR1). 7         ; Starts STOP mode.
        LDW    (IL), 11100111010111B ; IL12, IL11, IL7, IL5, IL3 ← 0 (Clears interrupt latches)
SINT5:   RETI
    
```

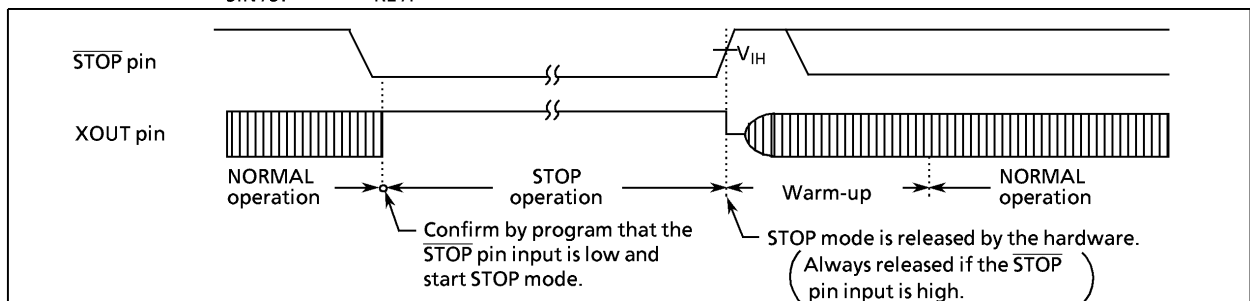


Figure 1-16. Level-sensitive Release Mode

**Note 1:** After warm-up sequence was started, STOP mode isn't restarted if  $\overline{STOP}$  pin input is low again.

**Note 2:** When changing to the level-sensitive release mode from the edge-sensitive release mode, the release mode is not switched until a rising edge of the  $\overline{STOP}$  pin input is detected.

b. Edge-sensitive release mode (RELM = 0)

In this mode, STOP mode is released by a rising edge of the  $\overline{\text{STOP}}$  pin input. This is used in applications where a relatively short program is executed repeatedly at periodic intervals. This periodic signal (for example, a clock from a low-power consumption oscillator) is input to the  $\overline{\text{STOP}}$  pin.

In the edge-sensitive release mode, STOP mode is started even when the  $\overline{\text{STOP}}$  pin input is high.

Example: Starting STOP mode operation in the edge-sensitive release mode

```
LD      (SYSCR1), 10000000B ; OUTEN ← 0 (Specifies high-impedance)
DI      ; IMF ← 0 (Disables interrupt service)
SET     (SYSCR1).STOP ; STOP ← 1 (Activates stop mode)
LDW    (IL),1110011101010111B ; IL12, IL11, IL7, IL5, IL3 ← 0
                                           (Clears interrupt latches)
EI      ; IMF ← 1 (Enables interrupt service)
```

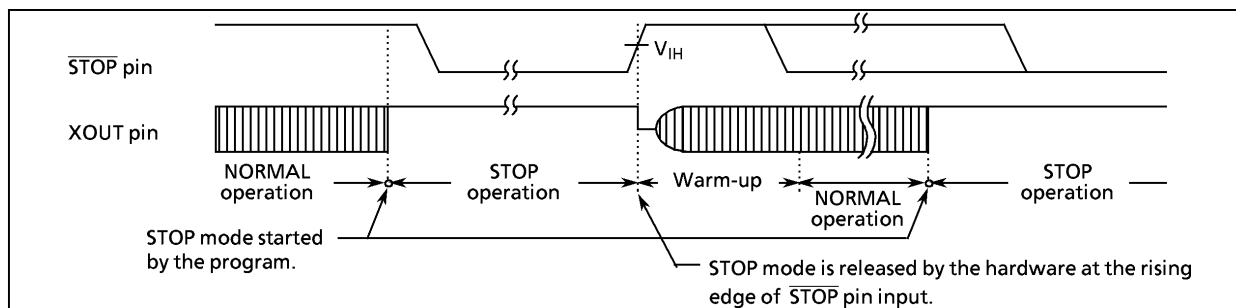


Figure 1-17. Edge-sensitive Release Mode

STOP mode is released by the following sequence:

- ① When returning to NORMAL2, both the high-frequency and low-frequency clock oscillators are turned on; when returning to SLOW mode, only the low-frequency clock oscillator is turned on. When returning to NORMAL1, only the high-frequency clock oscillator is turned on.
- ② A warm-up period is inserted to allow oscillation time to stabilize. During warm-up, all internal operations remain halted. Two different warm-up times can be selected with WUT (Bits 2 and 3 in SYSCR1) as determined by the resonator characteristics.
- ③ When the warm-up time has elapsed, normal operation resumes with the instruction following the STOP mode start instruction (e.g. [SET (SYSCR1). 7]). The start is made after the divider of the timing generator is cleared to "0".

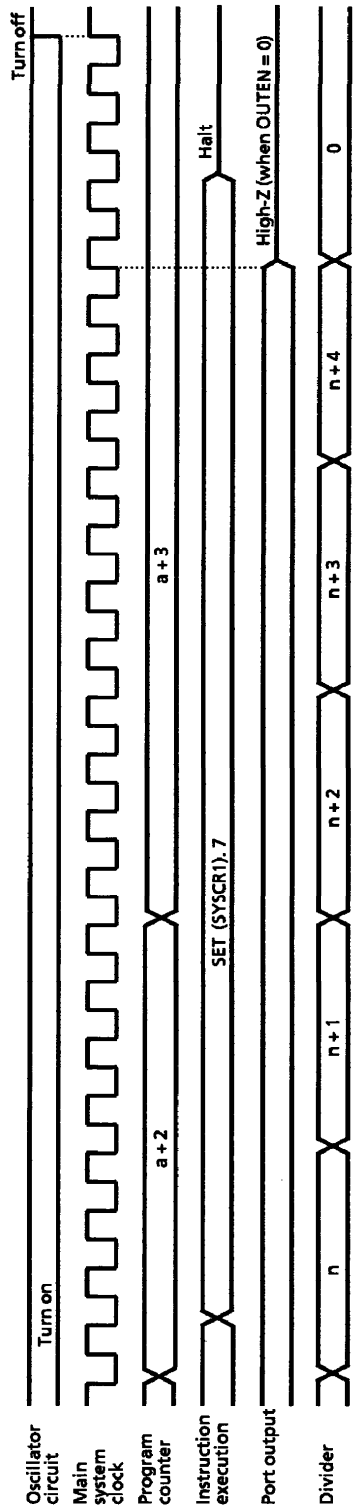
Table 1-1. Warm-up Time Example

WUT	Return to NORMAL1 Mode		Return to SLOW Mode	
	at $f_c = 4.194304$ MHz	at $f_c = 8$ MHz	WUT	at $f_s = 32.768$ kHz
$3 \times 2^{19}/f_c$ [s]	375 [ms]	196.6 [ms]	$3 \times 2^{13}/f_s$ [s]	750 [ms]
$2^{19}/f_c$	125	65.5	$2^{13}/f_s$	250

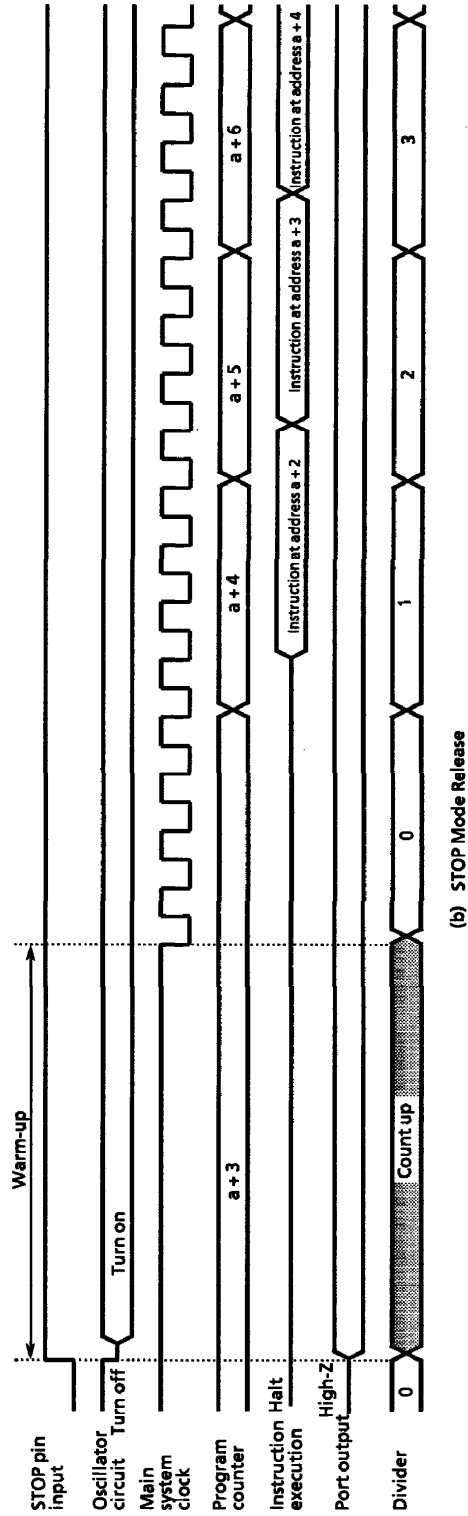
*Note: The warm-up time is obtained by dividing the basic clock by the divider: therefore, the warm-up time may include a certain amount of error if there is any fluctuation of the oscillation frequency when STOP mode is released. Thus, the warm-up time must be considered an approximate value.*

STOP mode can also be released by setting the  $\overline{\text{RESET}}$  pin low, which immediately performs the normal reset operation.

In this case, even if the setting is to return to the SLOW mode, it starts from the NORMAL mode. (If the initial XTEN of TMP87CH48/CM48 are set to "1" by mask option, they start from the NORMAL2 mode. In case of TMP87PH48/PM48, starts from NORMAL1 mode.)



(a) STOP Mode Start (Example: Start with SET (SYSCR1), 7 instruction located at address a)



(b) STOP Mode Release

Figure 1-18. STOP Mode Start/Release

**Note:** When STOP mode is released with a low hold voltage, the following cautions must be observed.

The power supply voltage must be at the operating voltage level before releasing STOP mode. The  $\overline{\text{RESET}}$  pin input must also be high, rising together with the power supply voltage. In this case, if an external time constant circuit has been connected, the  $\overline{\text{RESET}}$  pin input voltage will increase at a slower rate than the power supply voltage. At this time, there is a danger that a reset may occur if input voltage level of the  $\overline{\text{RESET}}$  pin drops below the non-inverting high-level input voltage (Hysteresis input).

## (2) IDLE mode (IDLE1, IDLE2, SLEEP)

IDLE mode is controlled by the system control register 2 and maskable interrupts. The following status is maintained during IDLE mode.

- ① Operation of the CPU and watchdog timer is halted. On-chip peripherals continue to operate.
- ② The data memory, CPU registers and port output latches are all held in the status in effect before IDLE mode was entered.
- ③ The program counter holds the address of the instruction following the instruction which started IDLE mode.

Example: Starting IDLE mode.

```
SET      (SYSCR2).4      ; IDLE←1
```

IDLE mode includes a normal release mode and an interrupt release mode. Selection is made with the interrupt master enable flag (IMF). Releasing the IDLE mode returns from IDLE1 to NORMAL1, from IDLE2 to NORMAL2, and from SLEEP to SLOW mode.

### a. Normal release mode (IMF = "0")

IDLE mode is released by any interrupt source enabled by the individual interrupt enable flag (EF) or an external interrupt 0 ( $\overline{\text{INT0}}$  pin) request. Execution resumes with the instruction following the IDLE mode start instruction (e.g. [SET (SYSCR2).4]).

The interrupt latch (IL) of the interrupt source for releasing the IDLE mode must be cleared to "0" by load instruction.

### b. Interrupt release mode (IMF = "1")

IDLE mode is released and interrupt processing is started by any interrupt source enabled with the individual interrupt enable flag (EF) or an external interrupt 0 ( $\overline{\text{INT0}}$  pin) request. After the interrupt is processed, the execution resumes from the instruction following the instruction which started IDLE mode.

IDLE mode can also be released by setting the  $\overline{\text{RESET}}$  pin low, which immediately performs the reset operation. After reset, the TMP87CH48/PH48 are placed in NORMAL mode.

The TMP87PM48 is placed in NORMAL1 mode after reset release.

**Note:** When a watchdog timer interrupt is generated immediately before the IDLE mode is started, the watchdog timer interrupt will be processed but IDLE mode will not be started.

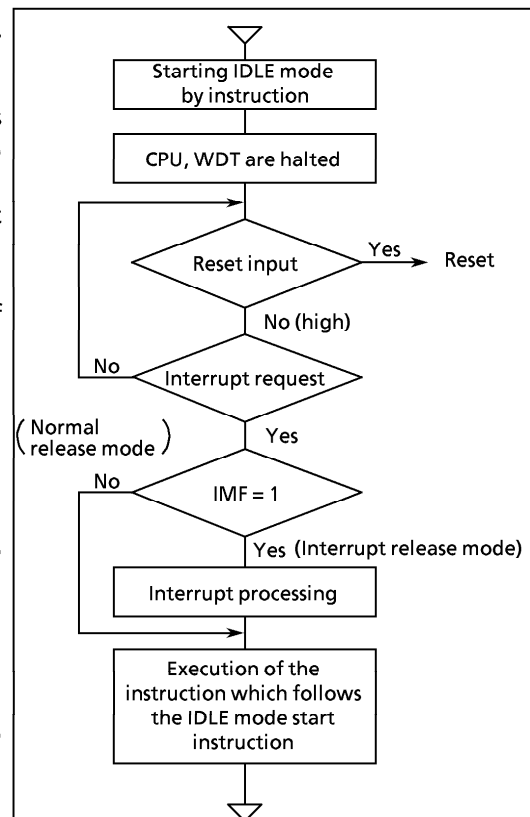
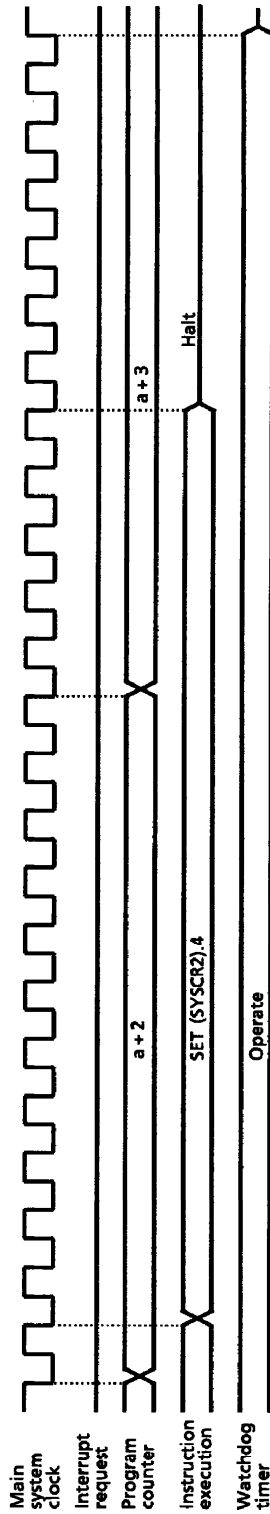
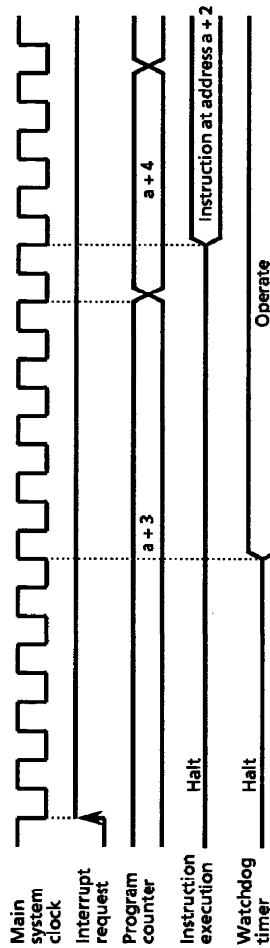


Figure 1-19. IDLE Mode

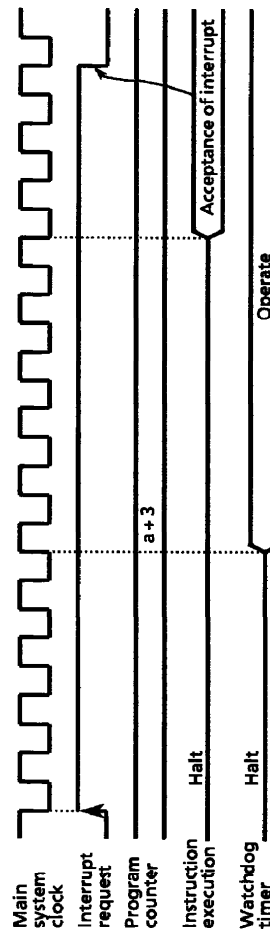




(a) IDLE Mode Start (Example: Starting with the SET instruction located at address a)



① Normal Release Mode



② Interrupt Release Mode

(b) IDLE Mode Release

Figure 1-20. IDLE Mode Start/Release

## (3) SLOW mode

SLOW mode is controlled by the system control register 2 and the timer/counter 2.

## a. Switching from NORMAL2 mode to SLOW mode

First, set SYSCK (Bit 5 in SYSCR2) to switch the main system clock to the low-frequency clock.

Next, clear XEN (Bit 7 in SYSCR2) to turn off high-frequency oscillation.

When the low-frequency clock oscillation is unstable, wait until oscillation stabilizes before performing the above operations. The timer/counter 2 (TC2) can conveniently be used to confirm that low-frequency clock oscillation has stabilized.

*Note: The high-frequency clock can be continued oscillation in order to return to NORMAL2 mode from SLOW mode quickly. Always turn off oscillation of high-frequency clock when switching from SLOW mode to STOP mode.*

## Example 1: Switching from NORMAL2 mode to SLOW mode.

```

SET      (SYSCR2). 5      ; SYSCK←1 (Switches the main system clock to the
                           low-frequency clock.)
CLR      (SYSCR2). 7      ; XEN←0   (Turns off high-frequency oscillation.)

```

## Example 2: Switching to SLOW mode after low-frequency clock oscillation has stabilized.

```

LD      (TC2CR), 14H      ; Sets TC2 mode
                           (Timer mode, Source clock: fs)
LDW     (TREG2), 8000H    ; Sets warm-up time
                           (According to Xtal characteristics)
SET     (EIRH). EF14     ; Enable INTTC2
LD      (TC2CR), 34H     ; Starts TC2

PINTTC2: LD      (TC2CR), 10H    ; Stops TC2
          SET     (SYSCR2). 5     ; SYSCK←1
          CLR     (SYSCR2). 7     ; XEN←0
          RETI

VINTTC2: DW      PINTTC2        ; INTTC2 vector table

```

## b. Switching from SLOW mode to NORMAL2 mode

First, set XEN (Bit 7 in SYSCR2) to turn on the high-frequency oscillation. When time for stabilization (Warm-up) has been taken by the timer/counter 2 (TC2), clear SYSCK (Bit 5 in SYSCR2) to switch the main system clock to the high-frequency clock.

SLOW mode can also be released by setting the RESET pin low, which immediately performs the reset operation. After reset, the TMP87CH48/CM48/PH48/PM48 are placed in NORMAL mode.

Example: Switching from SLOW mode to NORMAL2 mode. (fc = 8 MHz, warm-up time is about 7.9 ms.)

```

SET      (SYSCR2). 7      ; XEN←1 (Turns on high-frequency oscillation)
LD       (TC2CR), 10H    ; Sets TC2 mode.
                          ; (Timer mode, Source clock: fc)
LD       (TREG2 + 1), 0F8H ; Sets the warm-up time
                          ; (According to frequency and resonator characteristics.)
SET      (EIRH). EF14    ; Enable INTTC2
LD       (TC2CR), 30H    ; Starts TC2

PINTTC2: LD      (TC2CR), 10H ; Stops TC2
          CLR    (SYSCR2). 5  ; SYSCK←0 (Switches the main system clock to the high-
                              ; frequency clock.)
          RETI

VINTTC2: DW      PINTTC2    ; INTTC2 vector table

```

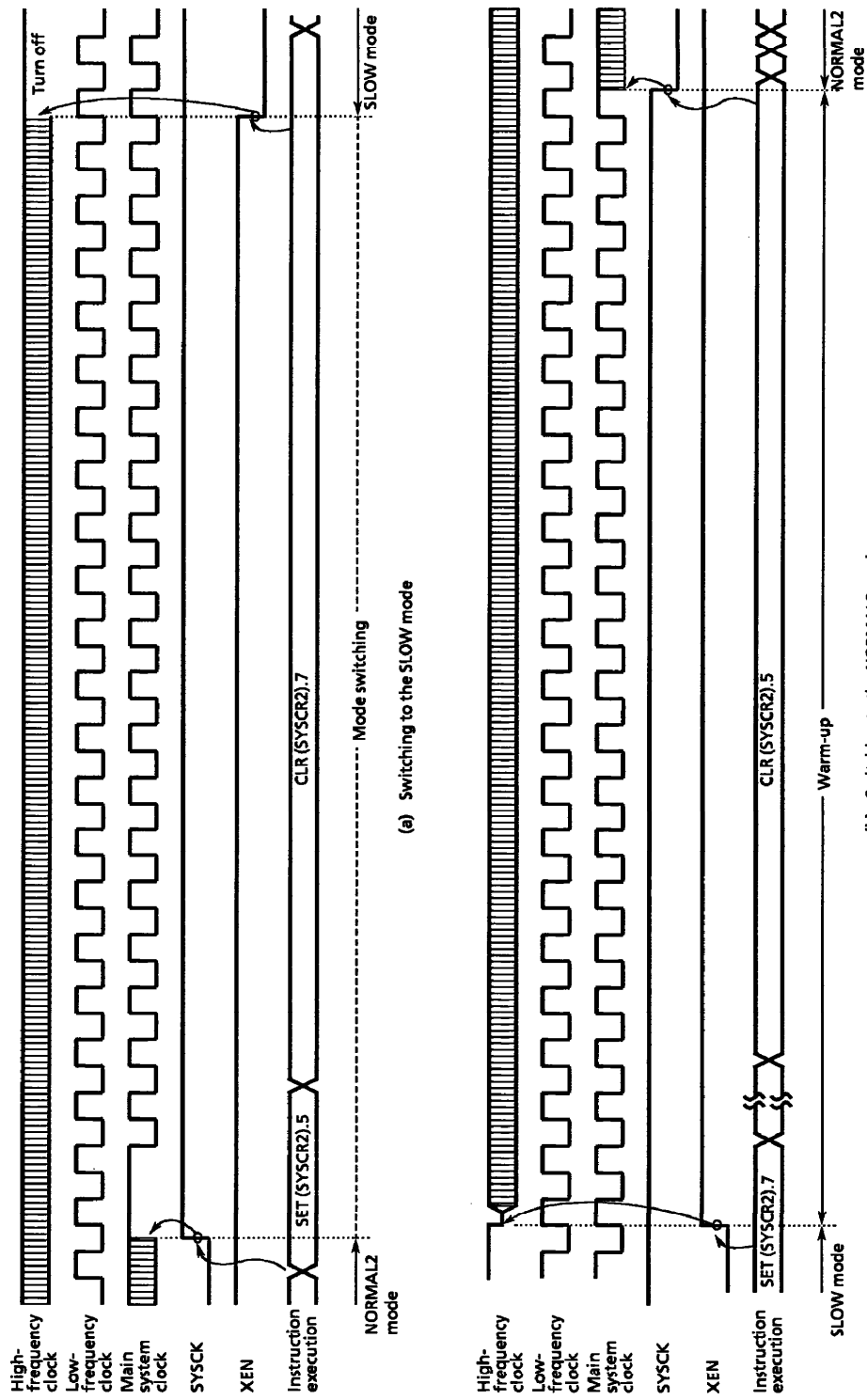


Figure 1-21. Switching between the NORMAL2 and SLOW modes

## 1.9 Interrupt Controller

The TMP87CH48/CM48 each have a total of 15 interrupt sources: 6 externals and 9 internals. Nested interrupt control with priorities is also possible. Two of the internal sources are pseudo non-maskable interrupts; the remainder are all maskable interrupts.

Interrupt latches (IL) that hold the interrupt requests are provided for interrupt sources. Each interrupt vector is independent.

The interrupt latch is set to "1" when an interrupt request is generated and requests the CPU to accept the interrupt. The acceptance of maskable interrupts can be selectively enabled and disabled by the program using the interrupt master enable flag (IMF) and the individual interrupt enable flags (EF). When two or more interrupts are generated simultaneously, the interrupt is accepted in the highest priority order as determined by the hardware. Figure 1-22 shows the interrupt controller.

Interrupt Source		Enable Condition	Interrupt Latch	Vector Table Address	Priority
Internal/ External	(Reset)	Non-Maskable	—	FFFE <sub>H</sub>	High 0
Internal	INTSW (Software interrupt)	Pseudo non-maskable	—	FFFC <sub>H</sub>	1
Internal	INTWDT (Watchdog Timer interrupt)		IL <sub>2</sub>	FFFA <sub>H</sub>	2
External	INT0 (External interrupt 0)	IMF = 1, INTOEN = 1	IL <sub>3</sub>	FFF8 <sub>H</sub>	3
Internal	INTTC1 (16-bit TC1 interrupt)	IMF · EF <sub>4</sub> = 1	IL <sub>4</sub>	FFF6 <sub>H</sub>	4
External	INT1 (External interrupt 2)	IMF · EF <sub>5</sub> = 1	IL <sub>5</sub>	FFF4 <sub>H</sub>	5
Internal	INTTBT (Time Base Timer interrupt)	IMF · EF <sub>6</sub> = 1	IL <sub>6</sub>	FFF2 <sub>H</sub>	6
External	INT2 (External interrupt 2)	IMF · EF <sub>7</sub> = 1	IL <sub>7</sub>	FFF0 <sub>H</sub>	7
Internal	INTTC3 (8-bit TC3 interrupt)	IMF · EF <sub>8</sub> = 1	IL <sub>8</sub>	FFEE <sub>H</sub>	8
Internal	INTSBI (Serial BUS Interface interrupt)	IMF · EF <sub>9</sub> = 1	IL <sub>9</sub>	FFEC <sub>H</sub>	9
External	INT3 (External interrupt 3)	IMF · EF <sub>10</sub> = 1	IL <sub>10</sub>	FFEA <sub>H</sub>	10
External	INT4 (External interrupt 4)	IMF · EF <sub>11</sub> = 1	IL <sub>11</sub>	FFE8 <sub>H</sub>	11
Internal	INTRX (UART receive interrupt)	IMF · EF <sub>12</sub> = 1, INTS = 0	IL <sub>12</sub>	FFE6 <sub>H</sub>	12
	INTTC4 (8-bit TC4 interrupt)	IMF · EF <sub>12</sub> = 1, INTS = 1			
Internal	INTTX (UART transmit interrupt)	IMF · EF <sub>13</sub> = 1	IL <sub>13</sub>	FFE4 <sub>H</sub>	13
Internal	INTTC2 (16-bit TC2 interrupt)	IMF · EF <sub>14</sub> = 1	IL <sub>14</sub>	FFE2 <sub>H</sub>	14
External	INT5 (External interrupt 5)	IMF · EF <sub>15</sub> = 1	IL <sub>15</sub>	FFE0 <sub>H</sub>	Low 15

### (1) Interrupt latches (IL<sub>15</sub> to 2)

Interrupt latches are provided for each source, except for a software interrupt. The latch is set to "1" when an interrupt request is generated, and requests the CPU to accept the interrupt. The latch is cleared to "0" just after the interrupt is accepted. All interrupt latches are initialized to "0" during reset.

The interrupt latches are assigned to addresses 003C<sub>H</sub> and 003D<sub>H</sub> in the SFR. Each latch can be cleared to "0" individually by an instruction; however, the read-modify-write instruction such as bit manipulation or operation instructions cannot be used (Do not clear the IL<sub>2</sub> for a watchdog timer interrupt to "0"). Thus, interrupt requests can be cancelled and initialized by the program. Note that interrupt latches cannot be set to "1" by any instruction.

The contents of interrupt latches can be read out by an instruction. Therefore, testing interrupt requests by software is possible.

Example 1: Clears interrupt latches

```
LDW      (IL, 1110100000111111B      ; IL12, IL10 to IL6 ← 0
```

Example 2: Reads interrupt latches

```
LD      WA, (IL                      ; W ← ILH, A ← ILL
```

Example 3: Tests an interrupt latch

```
TEST    (IL).7                      ; if IL7 = 1 then jump  
JR      F, SSET
```

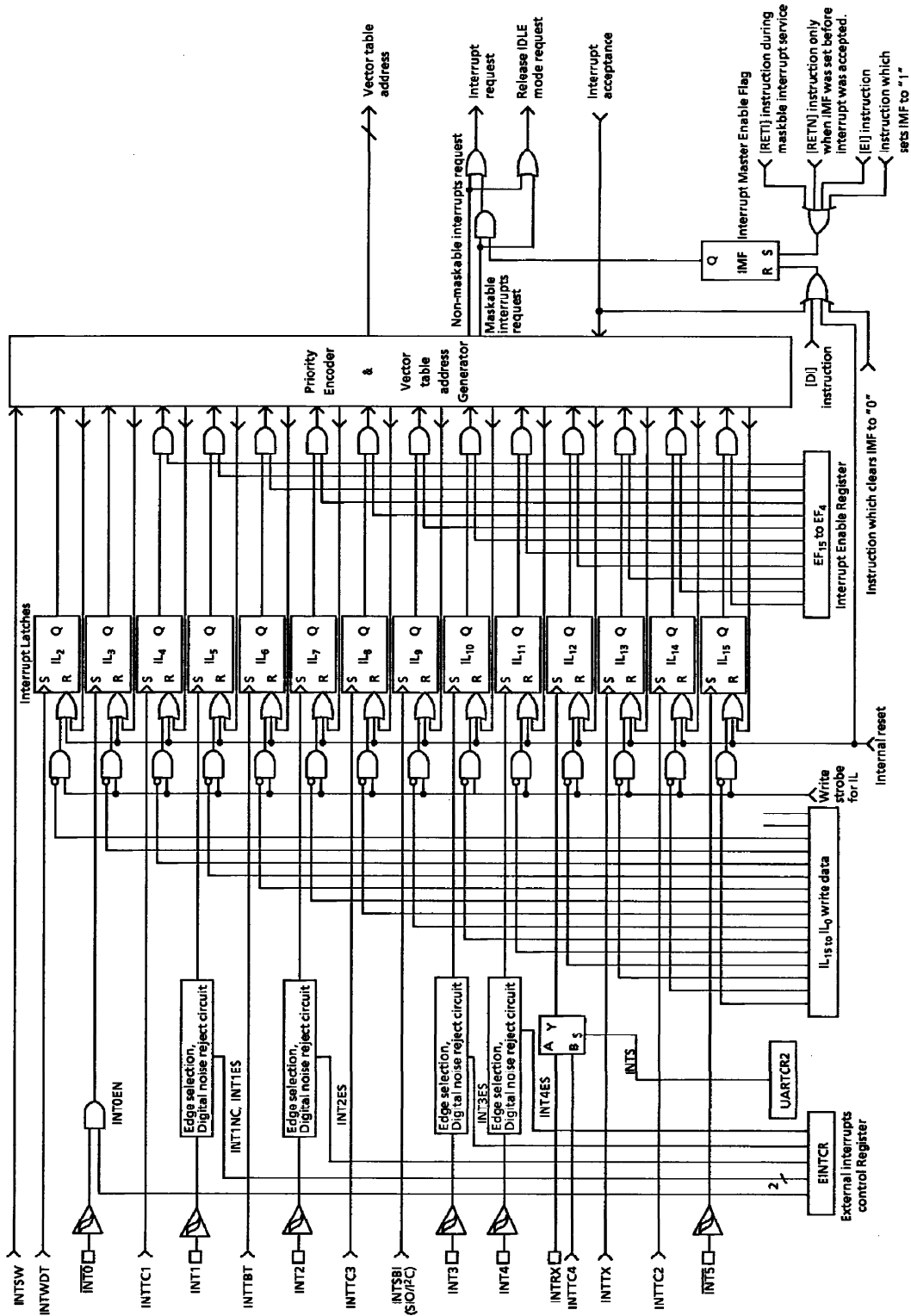


Figure 1-22. Interrupt Controller Block Diagram

(2) Interrupt enable register (EIR)

The interrupt enable registers (EIR) enable and disable the acceptance of interrupts except for the pseudo non-maskable interrupts (Software and watchdog timer interrupts). Pseudo non-maskable interrupts are accepted regardless of the contents of the EIR; however, the pseudo non-maskable interrupts cannot be nested more than once at the same time. For example, the watchdog timer interrupt is not accepted during the software interrupt service.

The EIR consists of an interrupt master enable flag (IMF) and individual interrupt enable flags (EF). These registers are assigned to addresses 003A<sub>H</sub> and 003B<sub>H</sub> in the SFR, and can be read and written by an instruction (Including read-modify-write instructions such as bit manipulation instructions).

① Interrupt master enable flag (IMF)

The interrupt master enable flag (IMF) enables and disables the acceptance of all interrupts, except for pseudo non-maskable interrupts. Clearing this flag to "0" disables the acceptance of all maskable interrupts. Setting to "1" enables the acceptance of interrupts. When an interrupt is accepted, this flag is cleared to "0" to temporarily disable the acceptance of maskable interrupts. After execution of the interrupt service program, this flag is set to "1" by the maskable interrupt return instruction [RETI] to again enable the acceptance of interrupts. If an interrupt request has already been occurred, interrupt service starts immediately after execution of the [RETI] instruction.

Pseudo non-maskable interrupts are returned by the [RETN] instruction. In this case, the IMF is set to "1" only when pseudo non-maskable interrupt service is started with interrupt acceptance enabled (IMF = 1). Note that IMF remains "0" when cleared in the interrupt service program.

The IMF is assigned to bit 0 at address 003A<sub>H</sub> in the SFR, and can be read and written by an instruction. IMF is normally set and cleared by the [EI] and [DI] instructions, and the IMF is initialized to "0" during reset.

*Note: Do not set IMF to "1" during non-maskable interrupt service programs.*

② Individual interrupt enable flags (EF<sub>15</sub> to EF<sub>4</sub>)

These flags enable and disable the acceptance of individual maskable interrupts, except for an external interrupt 0. Setting the corresponding bit of an individual interrupt enable flag to "1" enables acceptance of an interrupt, setting the bit to "0" disables acceptance.

Example 1: Sets EF for individual interrupt enable, and sets IMF to "1".

```
LDW      (EIR), 1110100010100001B ; EF15~EF13, EF11, EF7, EF5, IMF←1
```

Example 2: Sets an individual interrupt enable flag to "1".

```
SET      (EIRH).4 ; EF12←1
```

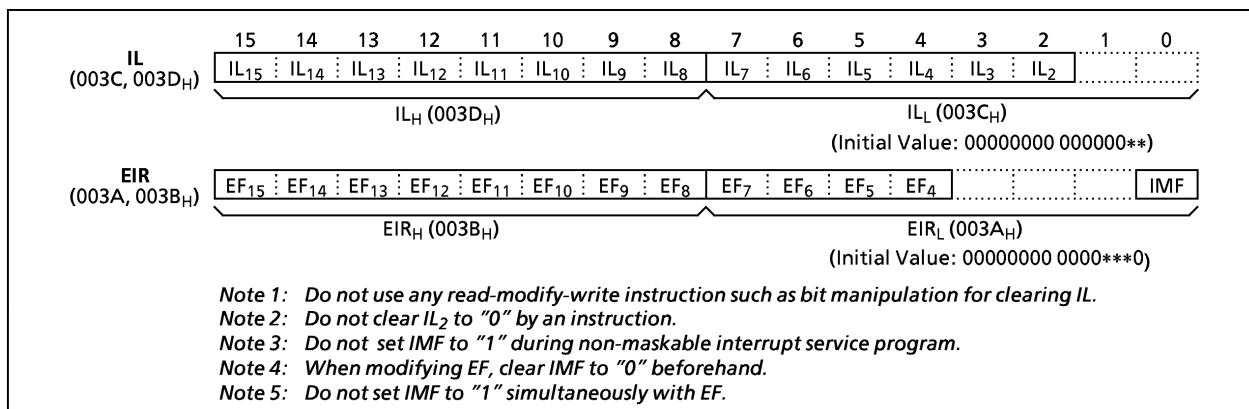


Figure 1-23. Interrupt Latch (IL) and Interrupt Enable Register (EIR)

### 1.9.1 Interrupt Sequence

An interrupt request is held until the interrupt is accepted or the interrupt latch is cleared to "0" by a reset or an instruction. Interrupt acceptance sequence requires 8 machine cycles (4  $\mu$ s at  $f_c = 8$  MHz in NORMAL mode) after the completion of the current instruction execution. The interrupt service task terminates upon execution of an interrupt return instruction [RETI] (for maskable interrupts) or [RETN] (for pseudo non-maskable interrupts).

(1) Interrupt acceptance processing

- ① The interrupt master enable flag (IMF) is cleared to "0" to temporarily disable the acceptance of any following maskable interrupts. When a non-maskable interrupt is accepted, the acceptance of any following interrupts is temporarily disabled.
- ② The interrupt latch (IL) for the interrupt source accepted is cleared to "0".
- ③ The contents of the program counter (return address) and the program status word are saved (pushed) onto the stack. The contents of Stack Pointer is decreased by 3.
- ④ The entry address of the interrupt service program is read from the vector table address, and the entry address is loaded to the program counter.
- ⑤ The instruction stored at the entry address of the interrupt service program is executed.

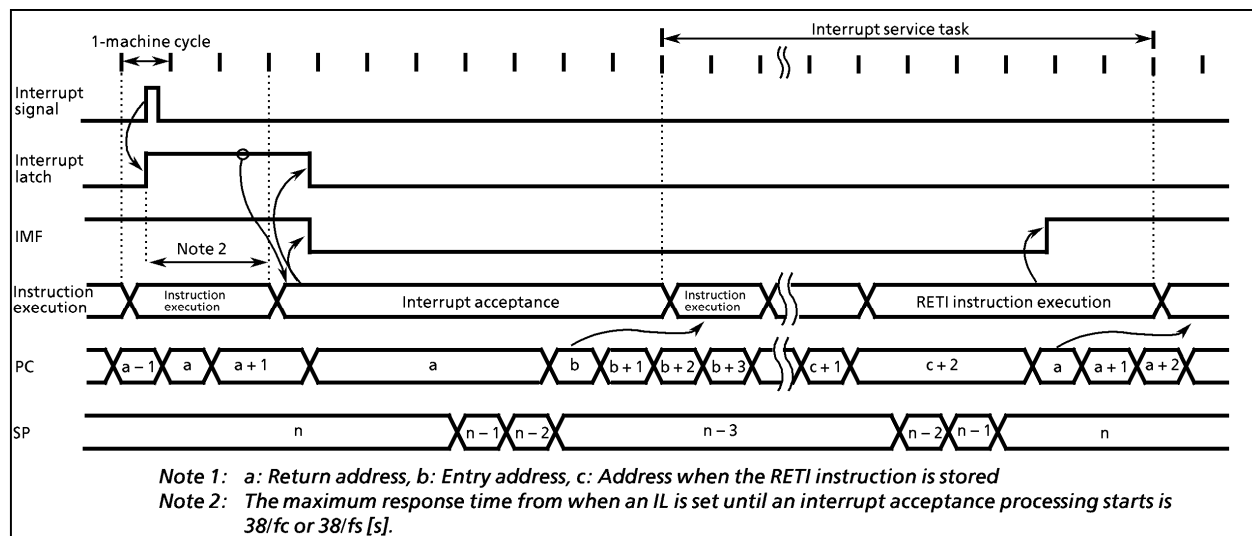
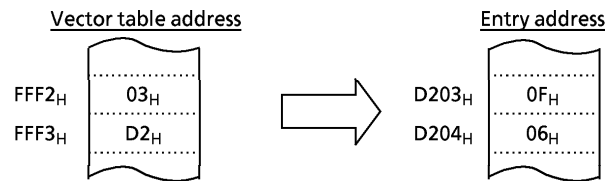


Figure 1-24. Timing Chart of Interrupt Acceptance and Interrupt Return Instruction

Example: Correspondence between vector table address for INTTB<sub>T</sub> and the entry address of the interrupt service program.



A maskable interrupt is not accepted until the IMF is set to "1" even if a maskable interrupt of higher priority than that of the current interrupt being serviced.

When nested interrupt service is necessary, the IMF is set to "1" in the interrupt service program. In this case, acceptable interrupt sources are selectively enabled by the individual interrupt enable flags. However, an acceptance of external interrupt 0 cannot be disabled by the EF; therefore, if disablement is necessary, either the external interrupt function of the  $\overline{INT0}$  pin must be disabled with INTOEN in the external interrupt control register (EINTCR) or interrupt processing must be avoided by the program.

When INTOEN = 0, the interrupt latch IL3 is not set, therefore, the falling edge of the  $\overline{INT0}$ .



Example 1: Disables an external interrupt 0 using INTOEN:

```
LD (EINTCR), 00000000B ; INTOEN←0
```

Example 2: Disables the processing of external interrupt 0 under the software control (using bit 0 at address 00F0<sub>H</sub> as the interrupt processing disable switch):

```
PINT0: TEST (00F0H) . 0 ; Returns without interrupt processing if (00F0H)0 = 1.
      JRS T, SINT0
      RETI
SINT0: Interrupt processing
      RETI
      ⋮
VINT0: DW PINT0
```

(2) General-purpose register save/restore processing

During interrupt acceptance processing, the program counter and the program status word are automatically saved on the stack, but not the accumulator and other registers. These registers are saved by the program if necessary. Also, when nesting multiple interrupt services, it is necessary to avoid using the same data memory area for saving registers.

The following method is used to save/restore the general-purpose registers:

① General-purpose register save/restore by register bank changeover:

General-purpose registers can be saved at high-speed by switching to a register bank that is not in use. Normally, bank 0 is used for the main task and banks 1 to 15 are assigned to interrupt service tasks. To increase the efficiency of data memory utilization, the same bank is assigned for interrupt sources which are not nested.

The switched bank is automatically restored by executing an interrupt return instruction [RETI] or [RETN]. Therefore, it is not necessary for a program to save the RBS.

Example: Register Bank Changeover

```
PINTxx: LD RBS, n ; Switches to bank n (1μs at 8 MHz).
      Interrupt processing
      RETI ; Restores bank and returns.
```

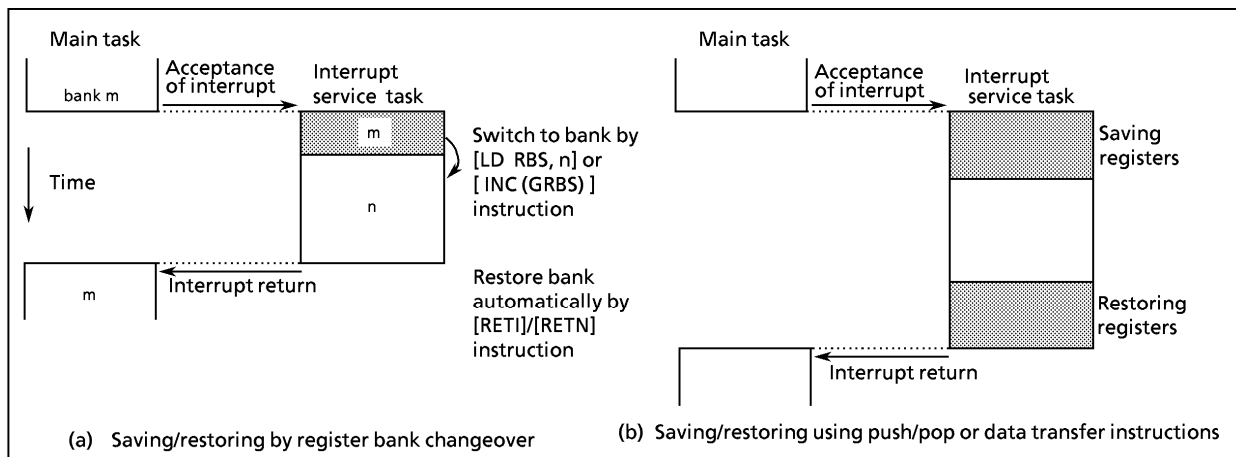


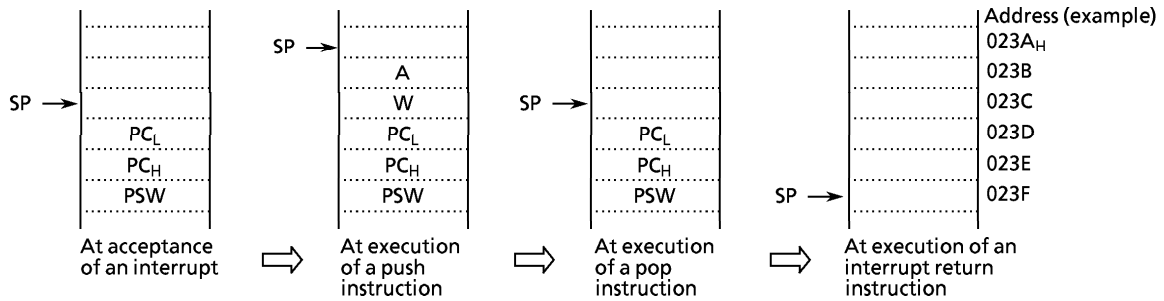
Figure 1-25. Saving/Restoring General-purpose Registers

② General-purpose register save/restore using push and pop instructions:

To save only a specific register, and when the same interrupt source occurs more than once, the general-purpose registers can be saved/restored using push/pop instructions.

Example: Register save using push and pop instructions

```
PINTxx:   PUSH    WA           ; Save WA register pair.
           Interrupt processing
           POP     WA           ; Restore WA register pair.
           RETI    ; Return
```



- ③ General-purpose registers save/restore using data transfer instruction: Data transfer instructions can be used to save only a specific general-purpose register during processing of a single interrupt.

Example: Saving/restoring a register using data transfer instructions

```
PINTxx:   LD      (GSAVA), A   ; Save A register.
           Interrupt processing
           LD      A, (GSAVA)  ; Restore A register.
           RETI    ; Return
```

(3) Interrupt return

The interrupt return instructions [RETI]/[RETN] perform the following operations.

[RETI] Maskable interrupt return	[RETN] Non-maskable interrupt return
① The contents of the program counter and the program status word are restored from the stack.	① The contents of the program counter and program status word are restored from the stack.
② The stack pointer is incremented 3 times.	② The stack pointer is incremented 3 times.
③ The interrupt master enable flag is set to "1".	③ The interrupt master enable flag is set to "1" only when a non-maskable interrupt is accepted in interrupt enable status. However, the interrupt master enable flag remains at "0" when so clear by an interrupt service program.

Interrupt requests are sampled during the final cycle of the instruction being executed. Thus, the next interrupt can be accepted immediately after the interrupt return instruction is executed.

*Note: When the interrupt processing time is longer than the interrupt request generation time, the interrupt service task is performed but not the main task.*

### 1.9.2 Software Interrupt (INTSW)

Executing the [SWI] instruction generates a software interrupt and immediately starts interrupt processing. (INTSW is highest prioritized interrupt.) However, if processing of a non-maskable interrupt is already underway, executing the SWI instruction will not generate a software interrupt but will result in the same operation as the [NOP] instruction. Thus, the [SWI] instruction behaves like the [NOP] instruction.

*Note: Software interrupt generates during non-maskable interrupt processing to use SWI instruction for software break in a development tool.*

Use the [SWI] instruction only for detection of the address error or for debugging.

① Address error detection

FF<sub>H</sub> is read if for some cause such as noise the CPU attempts to fetch an instruction from a non-existent memory address. Code FF<sub>H</sub> is the SWI instruction, so a software interrupt is generated and an address error is detected. The address error detection range can be further expanded by writing FF<sub>H</sub> to unused areas of the program memory. Address trap reset is generated for instruction fetch from a specific address (0000 to 043F<sub>H</sub>).

*Note: The fetch data from address 7F80<sub>H</sub> to 7FFF<sub>H</sub> (Test ROM area) for TMP87CM48 and TMP87PM48, BF80<sub>H</sub> to BFFF<sub>H</sub> (Test ROM area) for TMP87CH48 and TMP87PH48 is not "FF<sub>H</sub>".*

② Debugging

Debugging efficiency can be increased by placing the SWI instruction at the software break point setting address.

### 1.9.3 External Interrupts

The TMP87CH48/CM48 each have six external interrupt inputs ( $\overline{INT0}$ , INT1, INT2, INT3, INT4, and  $\overline{INT5}$ ). Four of these are equipped with digital noise rejection circuits (pulse inputs of less than a certain time are eliminated as noise). Edge selection is also possible with INT1, INT2, INT3 and INT4.

The  $\overline{INT0}$ /P10 pin can be configured as either an external interrupt input pin or an input/output port, and is configured as an input port during reset.

Edge selection, noise rejection control and  $\overline{INT0}$ /P10 pin function selection are performed by the external interrupt control register (EINTCR). When  $INT0EN = 0$ , the  $IL_3$  will not be set even if the falling edge of  $\overline{INT0}$  pin input is detected.

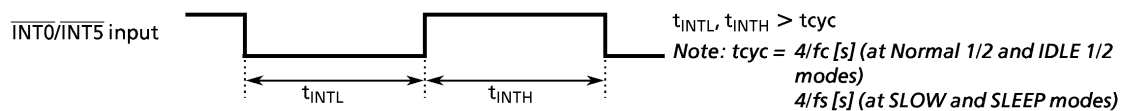
Table 1-3. External Interrupts

Source	Pin	Secondary Function Pin	Enable Conditions	Edge	Digital Noise Reject
INT0	$\overline{INT0}$	P10	$IMF = 1, INT0EN = 1$	Falling edge	— (Hysteresis input)
INT1	INT1	P11	$IMF \cdot EF_5 = 1$	Falling edge or Rising edge	Pulses less than $15/f_c$ [s] or $63/f_c$ [s] are cancelled as noise. Pulses equal to or more than $48/f_c$ [s] or $192/f_c$ [s] are regarded as signals.
INT2	INT2	P12/TC1	$IMF \cdot EF_7 = 1$	Rising edge	Pulses less than $7/f_c$ [s] are cancelled as noise. Pulses equal to or more than $24/f_c$ [s] are regarded as signals. Same applies to pins TC1, TC3 and TC4.
INT3	INT3	P50/TC3	$IMF \cdot EF_{10} = 1$		
INT4	INT4	P51/TC4	$IMF \cdot EF_{11} = 1$		
INT5	$\overline{INT5}$	P20/STOP	$IMF \cdot EF_{15} = 1$	Falling edge	— (Hysteresis input)

Note 1: The noise rejection function is turned off in the SLOW and SLEEP modes. Also, the noise reject times are not constant for pulses input while transiting between operating modes (NORMAL2↔SLOW)

Note 2: The noise rejection function is also affected for timer/counter input (TC1, TC3 and TC4 pins).

Note 3: The pulse width (both "H" and "L" level) for input to the  $\overline{INT0}$  and INT5 pins must be over 1 machine cycle.



Note 4: If a noiseless signal is input to the external interrupt pin in the NORMAL 1/2 or IDLE 1/2 mode, the maximum time from the edge of input signal until the IL is set is as follows:

- ① INT1 pin                     $49/f_c$  [s] ( $INT1NC = 1$ ),  $193/f_c$  [s] ( $INT1NC = 0$ )
- ② INT2, INT3, INT4 pins     $25/f_c$  [s]

Note 5: When  $INT0EN$  is "0" at detecting the rising edge of  $\overline{INT0}$  pin  $IL_3$  isn't set.

Note 6: When high-impedance is specified for port output in stop mode, port input is forcibly fixed to low level internally. Thus, interrupt latches of external interrupt inputs except  $\overline{INT5}$  (P20/STOP) which are also used as ports may be set to "1". To specify high-impedance for port output in stop mode, first disable interrupt service ( $IMF = 0$ ), activate stop mode. After releasing stop mode, clear interrupt latches using load instruction, then, enable interrupt service.

Example: Activating stop mode.

```
LD   (SYSCR1),01000000B   ; OUTEN ← 0 (Specifies high-impedance)
DI   ; IMF ← 0 (Disables interrupt service)
SET  (SYSCR1).STOP       ; STOP ← 1 (Activates stop mode)
LDW  (IL),11100111010111B ; IL12, IL11, IL7, IL5, IL3 ← 0 (Clears interrupt latches)
EI   ; IMF ← 1 (Enables interrupt service)
```

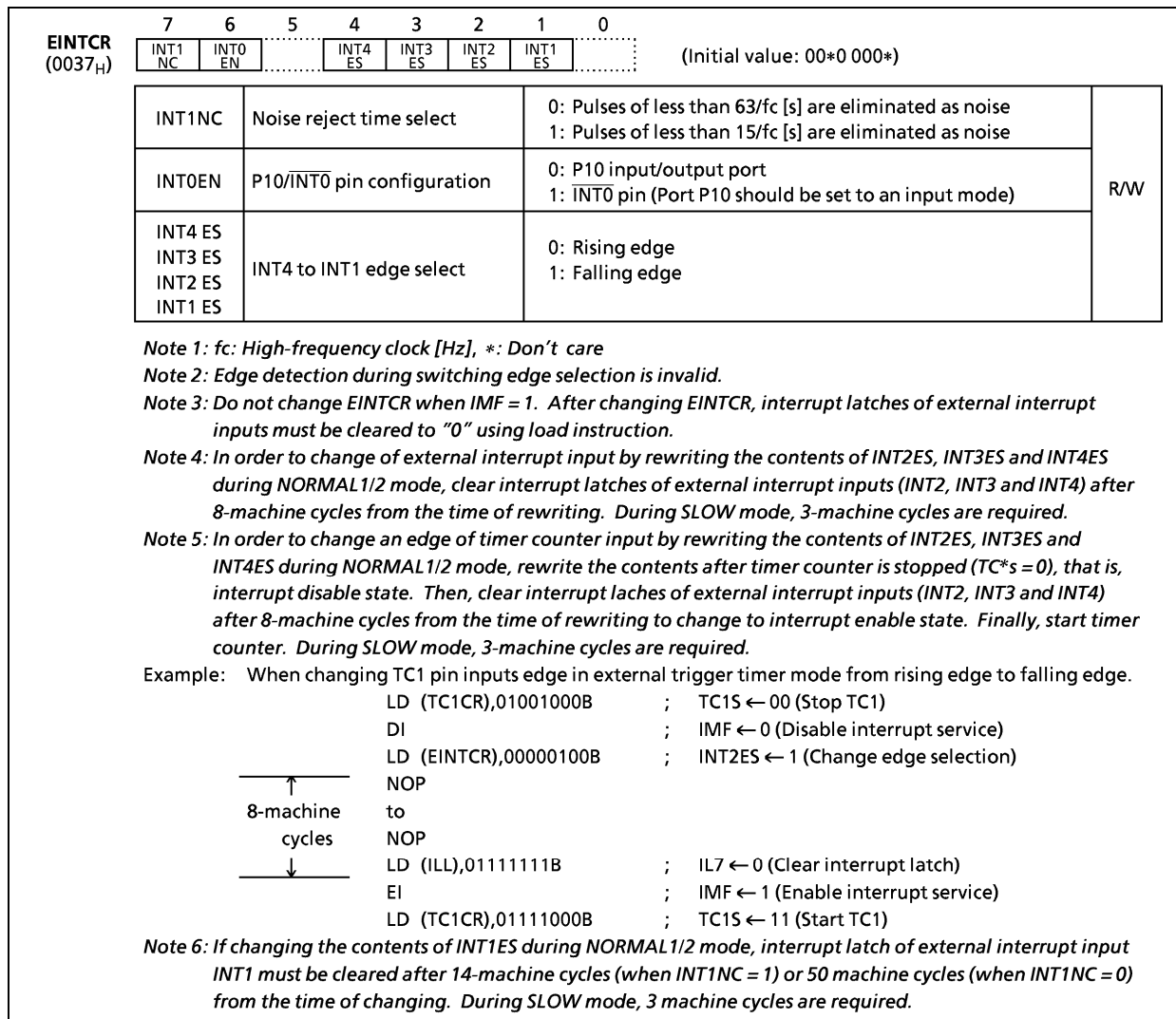


Figure 1-26. External Interrupt Control Register

### 1.10 Watchdog Timer (WDT)

The watchdog timer rapidly detects the CPU malfunction such as endless looping caused by noise or the like, and resumes the CPU to the normal state.

The watchdog timer signal for detecting malfunction can be selected either a reset output or a non-maskable interrupt request. However, selection is possible only once after reset. At first the reset output is selected.

When the watchdog timer is not being used for malfunction detection, it can be used as a timer to generate an interrupt at fixed intervals.

*Note: Adequate care must be given when designing systems so as to eliminate disturbing noise. Otherwise the Watchdog Timer may not exhibit its full functionality.*

#### 1.10.1 Watchdog Timer Configuration

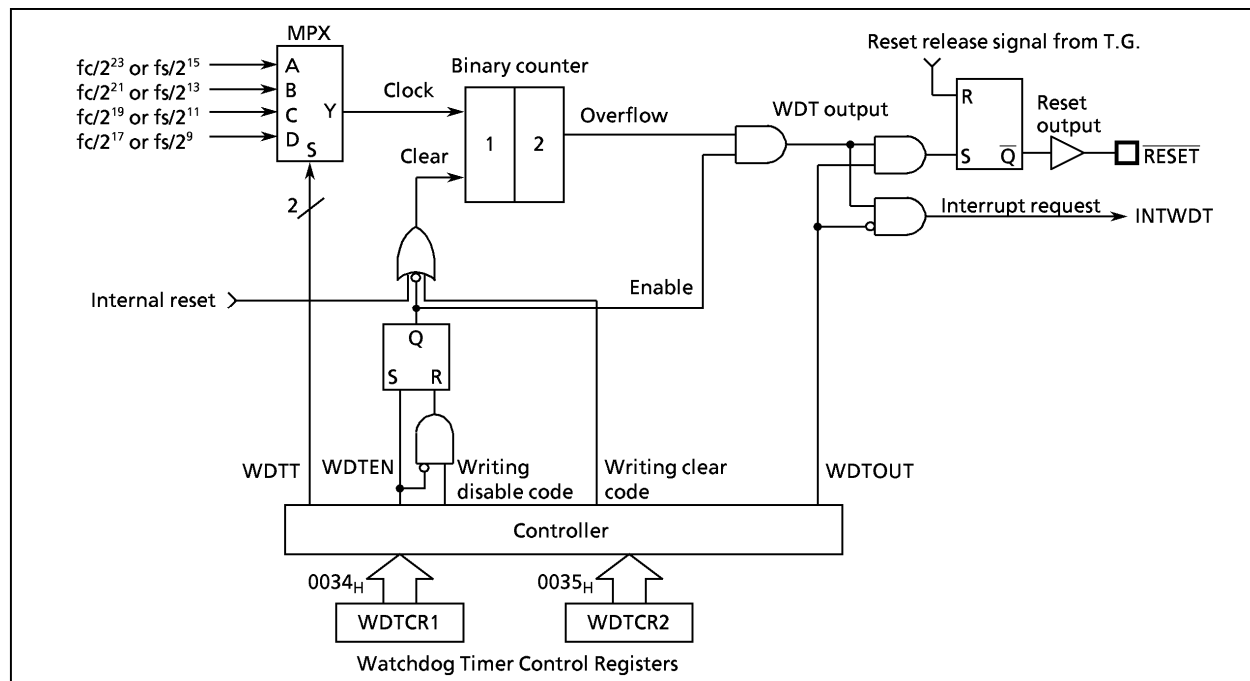


Figure 1-27. Watchdog Timer Configuration

#### 1.10.2 Watchdog Timer Control

Figure 1-28 shows the watchdog timer control registers (WDTTCR1, WDTTCR2). The watchdog timer is automatically enabled after reset.

##### (1) Malfunction detection methods using the watchdog timer

The CPU malfunction is detected as follows.

- ① Setting the detection time, selecting output, and clearing the binary counter.
- ② Repeatedly clearing the binary counter within the setting detection time.

If the CPU malfunction occurs for any cause, the watchdog timer output will become active at the rising of an overflow from the binary counters unless the binary counters are cleared. At this time, when  $WDTOUT = 1$  a reset is generated, which drives the **RESET** pin low to reset the internal hardware and the external circuits. When  $WDTOUT = 0$ , a watchdog timer interrupt (INTWDT) is generated.

The watchdog timer temporarily stops counting in the STOP mode including warm-up or IDLE mode, and automatically restarts (continues counting) when the STOP/IDLE mode is released.

Example: Sets the watchdog timer detection time to  $2^{21}/f_c$  [s] and resets the CPU malfunction.

```

LD      (WDTCR1), 00001101B ; WDTT←10, WDTOUT←1
LD      (WDTCR2), 4EH       ; Clears the binary counters. (Always clear
                             ; immediately after changing WDTT.)
LD      (WDTCR2), 4EH       ; Clears the binary counters.
LD      (WDTCR2), 4EH       ; Clears the binary counters.
    
```

Watchdog Timer Control Register 1

WDTCR1 (0034 <sub>H</sub> )	7	6	5	4	3	2	1	0	(Initial value: **** 1001)
				WDT EN	WDTT		WDT OUT		
WDTEN	Watchdog timer enable/disable			0: Disable (It is necessary to write the disable code to WDTCR2) 1: Enable				Write only	
WDTT	Watchdog timer detection time			00: $2^{25}/f_c$ or $2^{17}/f_s$ [s] 01: $2^{23}/f_c$ or $2^{15}/f_s$ 10: $2^{21}/f_c$ or $2^{13}/f_s$ 11: $2^{19}/f_c$ or $2^{11}/f_s$					
WDTOUT	Watchdog timer output select			0: Interrupt request 1: Reset output					

- Note 1: WDTOUT cannot be set to "1" by program after clearing WDTOUT to "0".
- Note 2:  $f_c$ : High-frequency clock [Hz],  $f_s$ : Low-frequency clock [Hz], \*: Don't care
- Note 3: WDTCR1 is a write-only register and must not be used with any of read-modify-write instructions.
- Note 4: Disable the watchdog timer or clear the counter just before switching to STOP mode.  
When the counter is cleared just before switching to STOP mode, clear the counter again subsequently to releasing STOP mode.

Watchdog Timer Control Register 2

WDTCR2 (0035 <sub>H</sub> )	7	6	5	4	3	2	1	0	(Initial value: **** ***)
WDTCR2	Watchdog timer control code write register			4E <sub>H</sub> : Watchdog timer binary counter clear (Clear code) B1 <sub>H</sub> : Watchdog timer disable (Disable code) others: Invalid				Write only	

- Note 1: The disable code is invalid unless written when WDTEN = 0.
- Note 2: \*: Don't care
- Note 3: Since WDTCR2 is a write-only register, read-modify-write instructions (e.g., Bit manipulating instructions such as SET or CLR and arithmetic instructions such as AND or OR) cannot be used for read/write to this register.
- Note 4: To clear binary counter doesn't initialize the source clock, therefore, it is recommended to clear binary counter within 3/4 of the detection period.

Figure 1-28. Watchdog Timer Control Registers

Table 1-4. Watchdog Timer Detection Time

Operating Mode			Detection Time	
NORMAL1	NORMAL2	SLOW	at $f_c = 8$ MHz	at $f_s = 32.768$ kHz
$2^{25}/f_c$ [s]	$2^{25}/f_c, 2^{17}/f_s$	$2^{17}/f_s$	4.194 s	4 s
$2^{23}/f_c$	$2^{23}/f_c, 2^{15}/f_s$	$2^{15}/f_s$	1.048 ms	1 s
$2^{21}/f_c$	$2^{21}/f_c, 2^{13}/f_s$	–	262.1 ms	250 ms
$2^{19}/f_c$	$2^{19}/f_c, 2^{11}/f_s$	–	65.5 ms	62.5 ms

### (2) Watchdog timer enable

The watchdog timer is enabled by setting WDTEN (Bit 3 in WDTCR1) to "1". WDTEN is initialized to "1" during reset, so the watchdog timer operates immediately after reset is released.

Example: Enables watchdog timer

```
LD      (WDTCR1), 00001000B      ; WDTEN←1
```

### (3) Watchdog timer disable

The watchdog timer is disabled by writing the disable code (B1<sub>H</sub>) to WDTCR2 after clearing WDTEN (Bit 3 in WDTCR1) to "0". The watchdog timer is not disabled if this procedure is reversed and the disable code is written to WDTCR2 before WDTEN is cleared to "0". The watchdog timer is halted temporarily in STOP mode (including warm-up) and IDLE mode, and restarts automatically after STOP or IDLE mode is released.

During disabling the watchdog timer, the binary counters are cleared to "0".

Example: Disables watchdog timer

```
LDW     (WDTCR1), 0B101H        ; WDTEN←0, WDTCR2←disable code
```

## 1.10.3 Watchdog Timer Interrupt (INTWDT)

This is a pseudo non-maskable interrupt which can be accepted regardless of the contents of the EIR. If a watchdog timer interrupt or a software interrupt is already accepted, however, the new watchdog timer interrupt waits until the previous interrupt processing is completed (The end of the [RETN] instruction execution).

The stack pointer (SP) should be initialized before using the watchdog timer output as an interrupt source with WDTOUT.

Example: Watchdog timer interrupt setting up.

```
LD      SP, 013FH                ; Sets the stack pointer.  
LD      (WDTCR1), 00001000B      ; WDTOUT←0
```



1.10.4 Watchdog Timer Reset

If the watchdog timer output becomes active, a reset is generated, which drives the  $\overline{\text{RESET}}$  pin (sink open drain output) low to reset the internal hardware and the external circuits. The reset output time is  $12/f_c$  [s] to  $16/f_c$  [s] (1.5 to 2.0  $\mu\text{s}$  at 8 MHz). The high-frequency clock oscillator also turns on when a watchdog timer reset is generated in SLOW mode.

- Note 1:** The high-frequency clock oscillator also turns on when a watchdog timer reset is generated in SLOW mode. Thus, the reset output time is  $12/f_c$  to  $16/f_c$ . The reset output time include a certain amount of error if there is any function of the oscillation frequency when the high-frequency clock oscillator turns on. Thus, the reset, the reset output time must be considered approximate value.
- Note 2:** On the emulator, output from the  $\overline{\text{RESET}}$  pin may go Low  $2^{20}/f_c$  [s] (131 ms at 8 MHz) when watchdog timer reset is occurred.

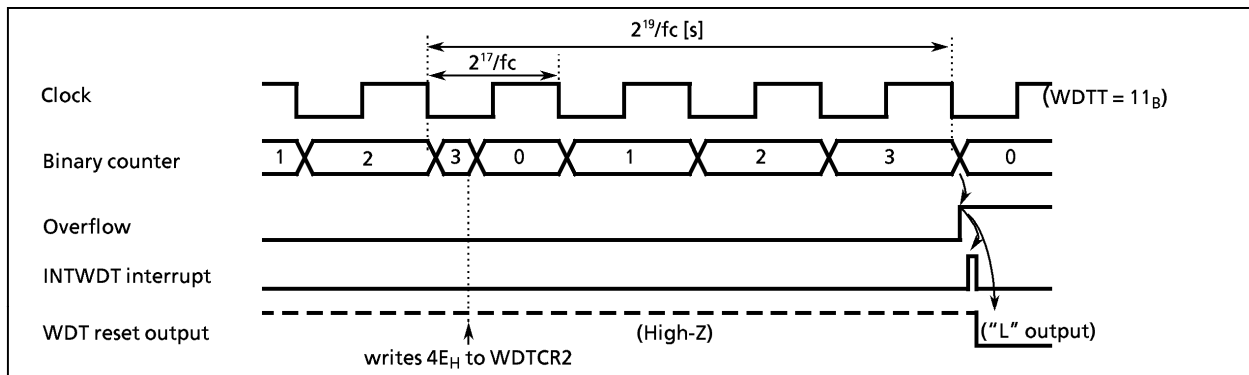


Figure 1-29. Watchdog Timer Interrupt/Reset

**1.11 Reset Circuit**

The TMP87CH48/CM48 each have four types of reset generation procedures: an external reset input, an address trap reset, a watchdog timer reset and a system clock reset. Table 1-5 shows on-chip hardware initialization by reset action. The internal source reset circuit (Watchdog timer reset, address trap reset, and system clock reset) is not initialized when power is turned on. Thus, output from the  $\overline{\text{RESET}}$  pin may go low  $16/f_c$  [s] ( $3 \mu\text{s}$  at 8 MHz) when power is turned on.a

*Note: On the emulator, output from the  $\overline{\text{RESET}}$  pin may go Low  $2^{20}/f_c$  [s] (131 ms at 8 MHz) when power is turned on.*

Table 1-5. Initializing Internal Status by Reset Action

On-chip Hardware	Initial Value	On-chip Hardware	Initial Value
Program counter (PC)	(FFFF <sub>H</sub> ) · (FFFE <sub>H</sub> )	Divider of Timing generator	0
Register bank selector (RBS)	0	Watchdog timer	Enable
Jump status flag (JF)	1	Output latches of I/O ports	Refer to I/O port circuitry
Interrupt master enable flag (IMF)	0	Control registers	Refer to each of control register
Interrupt individual enable flags (EF)	0		
Interrupt latches (IL)	0		

**1.11.1 External Reset Input**

When the  $\overline{\text{RESET}}$  pin is held at low for at least 3 machine cycles ( $12/f_c$  [s]) with the power supply voltage within the operating voltage range and oscillation stable, a reset is applied and the internal state is initialized.

When the  $\overline{\text{RESET}}$  pin input goes high, the reset operation is released and the program execution starts at the vector address stored at addresses FFFE<sub>H</sub> to FFFF<sub>H</sub>.

The  $\overline{\text{RESET}}$  pin contains a Schmitt trigger (Hysteresis) with an internal pull-up resistor. A simple power-on-reset can be applied by connecting an external capacitor and a diode.

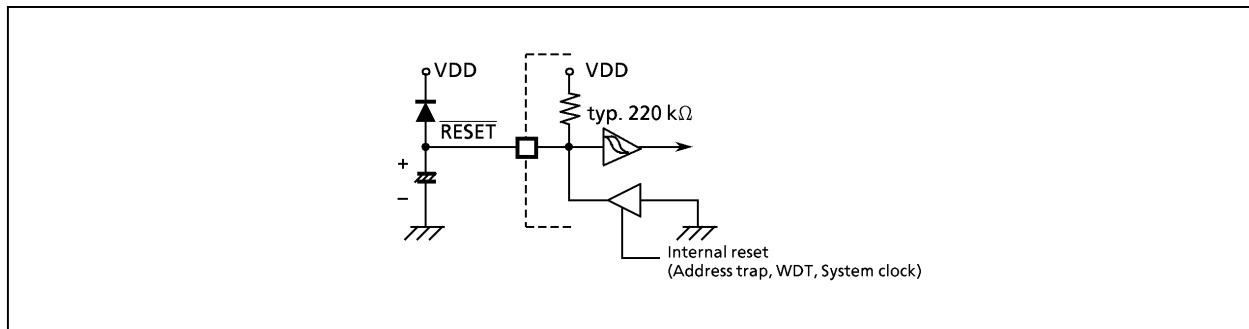


Figure 1-Figure 1-30. Simple Power-on-reset Circuitry

### 1.11.2 Address-trap-reset

An address-trap-reset is one of fail-safe function that detects CPU malfunction such as endless looping caused by noise or the like, and returns the CPU to the normal state. If the CPU attempts to fetch an instruction from a specific address (0000 to 023F<sub>H</sub>), an internal reset (Called address-trap-reset) will be generated. Then, the  $\overline{\text{RESET}}$  pin output will go low. The reset time is  $12/f_c$  [s] to  $16/f_c$  [s] ( $1.5 \mu\text{s}$  to  $2.0 \mu\text{s}$  at 8 MHz) .a

**Note 1:** On the emulator, output from the  $\overline{\text{RESET}}$  pin may go Low  $2^{20}/f_c$  [s] (131 ms at 8 MHz) when address-trap-reset is occurred.

**Note 2:** If the SWI instruction or an undefined instruction at the address immediately preceding the address trap area is executed, the microcomputer at once starts servicing an address trap interrupt after it finished accepting an SWI undefined instruction interrupt.

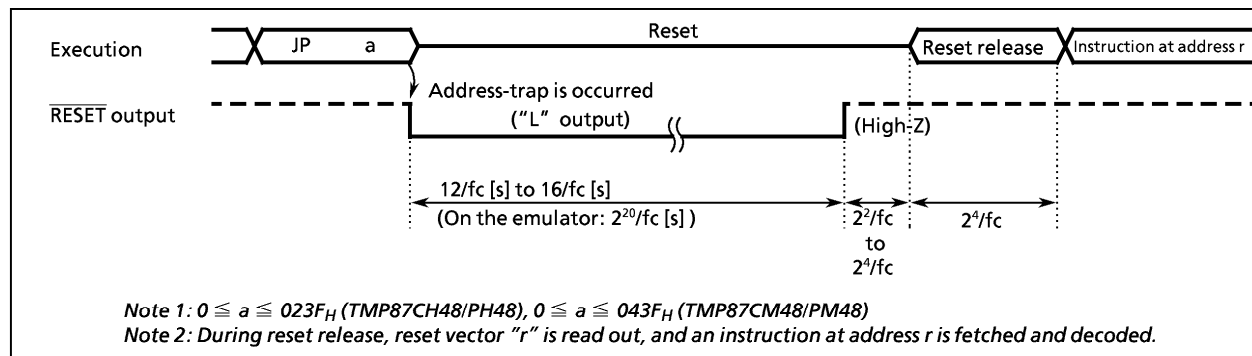


Figure 1-31. Address-trap-reset

### 1.11.3 Watchdog Timer Reset

Refer to Section "1.10 Watchdog Timer".

### 1.11.4 System-clock-reset

Clearing both XEN and XTEN (Bits 7 and 6 in SYSCR2) to "0" stops both high-frequency and low-frequency oscillation, and causes the MCU to deadlock. This can be prevented by automatically generating a reset signal whenever  $\text{XEN} = \text{XTEN} = 0$  is detected to continue the oscillation. Then, the  $\overline{\text{RESET}}$  pin output goes low from high-impedance. The reset time is  $12/f_c$  [s] to  $16/f_c$  [s] ( $1.5 \mu\text{s}$  to  $2.0 \mu\text{s}$  at 8 MHz) .

**Note:** On the emulator, output from the  $\overline{\text{RESET}}$  pin may go Low  $2^{20}/f_c$  [s] (131 ms at 8 MHz) when system-clock-reset is occurred.

2. On-chip Peripherals Functions

2.1 Special Function Registers (SFR) and Data Buffer Registers (DBR)

The TLCS-870 Series uses the memory mapped I/O system, and all peripheral control and data transfers are performed through the special function registers (SFR) and data buffer registers (DBR).

The SFR are mapped to addresses 0000<sub>H</sub> to 003F<sub>H</sub>, and the DBR to addresses 0F80<sub>H</sub> to 0FFF<sub>H</sub>.

Figure 2-1 shows the TMP87CH48/CM48 SFRs and DBRs.

Address	Read	Write	Address	Read	Write
0000 <sub>H</sub>		P0 port	0020 <sub>H</sub>	—	SBICR1 (SBI control)
01		P1 Port	21	—	SBIDBR (SBI data buffer)
02		P2 Port	22	—	I <sup>2</sup> CAR (I <sup>2</sup> C Bus address)
03		P3 Port	23	SBISR (SBI Status)	SBICR2 (SBI control)
04		P4 Port	24	ADCDR2L (AD conv. lower 8-bit result)	—
05		P5 Port	25	ADCDR2H (AD conv. upper 2-bit result)	—
06		P6 Port	26	PWMSR (PWM Status register)	PWMCR (PWM control)
07		P7 Port	27		PWMDR (PWM data register)
08		P8 Port	28		Reserved
09		P8CR (P8 I/O control)	29	RDBUF (UART receive data)	FDBUF (UART transmit data)
0A	—	P0CR (P0 I/O control)	2A	UARTSR (UART Status)	UARTCR1 (UART control 1)
0B	—	P1CR (P1 I/O control)	2B	—	UARTCR2 (UART control 2)
0C	—	P6CR (P6 I/O control)	2C		Reserved
0D	—	P7CR (P7 I/O control)	2D		Reserved
0E		ADCCR (AD converter control)	2E		Reserved
0F	ADCDR1 (AD conv. upper 8-bit result)	—	2F		Reserved
10	—	TREG1A <sub>L</sub> (Timer register 1A)	30		Reserved
11	—	TREG1A <sub>H</sub> (Timer register 1A)	31		Reserved
12	TREG1B <sub>L</sub> (Timer register 1B)		32		Reserved
13	TREG1B <sub>H</sub> (Timer register 1B)		33		Reserved
14	—	TC1CR (TC1 control)	34	—	WDTCR1 (WDT control)
15	—	TC2CR (TC2 control)	35	—	WDTCR2 (WDT control)
16	—	TREG2 <sub>L</sub> (Timer register 2)	36	TBTCR (TBT/G/DVO control)	
17	—	TREG2 <sub>H</sub> (Timer register 2)	37	EINTCR (External interrupt control)	
18		TREG3A (Timer register 3A)	38	SYSCR1 (System control)	
19	TREG3B (Timer register 3B)	—	39	SYSCR2 (System control)	
1A	—	TC3CR (TC3 control)	3A	EIR <sub>L</sub> (Interrupt enable register)	
1B	—	TREG4 (Timer register 4)	3B	EIR <sub>H</sub> (Interrupt enable register)	
1C	—	TC4CR (TC4 control)	3C	IL <sub>L</sub> (Interrupt latch)	
1D		Reserved	3D	IL <sub>H</sub> (Interrupt latch)	
1E		Reserved	3E		Reserved
1F		Reserved	3F	PSW (Program status word)	RBS (Register bank selector)

(a) Special Function Registers

Address	Read	Write
0F80 <sub>H</sub>		Reserved
0FEF		Reserved
0FF0		Reserved
F1		Reserved
F2		Reserved
F3		Reserved
F4		Reserved
F5		Reserved
F6		Reserved
F7		Reserved
0FF8		Reserved
F9		Reserved
FA		Reserved
FB		Reserved
FC		Reserved
FD		Reserved
FE		Reserved
FF		Reserved

(b) Data Buffer Registers

*Note 1: Do not access reserved areas by the program.*

*Note 2: — : Cannot be accessed.*

*Note 3: When defining address 003F<sub>H</sub> with assembler symbols, use GPSW and GRBS.*

*Note 4: Write-only registers and interrupt latches cannot use the read-modify-write instructions (bit manipulation instructions such as SET, CLR, etc. and logical operation instructions such as AND, OR, etc.)*

Figure 2-1. SFR & DBR

2.2 I/O Ports

The TMP87CH48/CM48 have 9 parallel input/output ports (56 pins) each as follows:

	Primary Function	Secondary Functions
Port P0	8-bit I/O port	–
Port P1	8-bit I/O port	External interrupt input, timer/counter input/output, and divider output
Port P2	3-bit I/O port	Low-frequency resonator connections, external interrupt input, and STOP mode release signal input
Port P3	6-bit I/O port	–
Port P4	3-bit I/O port	Serial interface
Port P5	5-bit I/O port	External interrupt input, and timer/counter input/output.
Port P6	8-bit I/O port	Analog input
Port P7	8-bit I/O port	Analog input
Port P8	4-bit I/O port	12-bit PWM output

Each output port contains a latch, which holds the output data. All input ports do not have latches, so the external input data should either be held externally until read or reading should be performed several times before processing. Figure 2-2 shows input/output timing examples.

External data is read from an I/O port in the S1 state of the read cycle during execution of the read instruction. This timing can not be recognized from outside, so that transient input such as chattering must be processed by the program.

Output data output changes in the S2 state of the write cycle during execution of the instruction which writes to an I/O port.

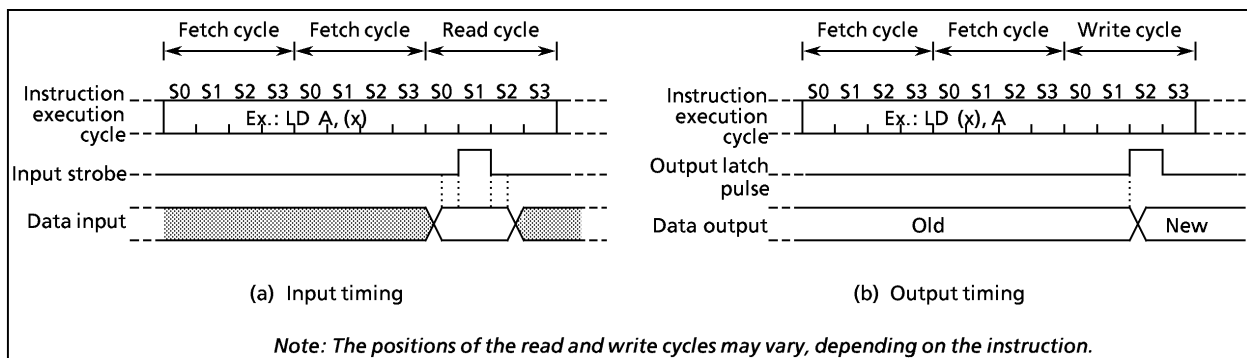


Figure 2-2. Input/Output Timing (Example)

When reading an I/O port except programmable I/O ports, whether the pin input data or the output latch contents are read depends on the instructions, as shown below:

- (1) Instructions that read the output latch contents
  - ① XCH r, (src)
  - ② CLR/SET/CPL (src).b
  - ③ CLR/SET/CPL (pp).g
  - ④ LD (src).b, CF
  - ⑤ LD (pp).b, CF
  - ⑥ ADD/ADDC/SUB/SUBB/AND/OR/XOR (src), n
  - ⑦ (src) side of ADD/ADDC/SUB/SUBB/AND/OR/XOR (src), (HL)
- (2) Instructions that read the pin input data
  - ① Instructions other than the above (1)
  - ② (HL) side of ADD/ADDC/SUB/SUBB/AND/OR/XOR (src), (HL)

2.2.1 Port P0 (P07 to P00)

Port P0 is an 8-bit general-purpose input/output port which can be configured as either an input or an output in one-bit unit under software control. Input/output mode is specified by the corresponding bit in the port P0 input/output control register (P0CR). Port P0 is configured as an input if its corresponding P0CR bit is cleared to "0", and as an output if its corresponding P0CR bit is set to "1". During reset, P0CR is initialized to "0", which configures port P0 as input. The P0 output latches are also initialized to "0". Data is written into the output latch regardless of the P0CR contents. Therefore initial output data should be written into the output latch before setting P0CR.

**Note 1:** Ports set to the input mode read the pin states. When input pin and output pin exist in port P0 together, the contents of the output latch of ports set to the input mode may be rewritten by executing the bit manipulation instructions. Pins set to the output mode read a value of the output latch.

**Note 2:** The P0CR is a write-only register. It can not be operated by the read-modify instruction (Bit manipulation instructions of SET, CLR, etc. and arithmetic instructions of AND, OR, etc.)

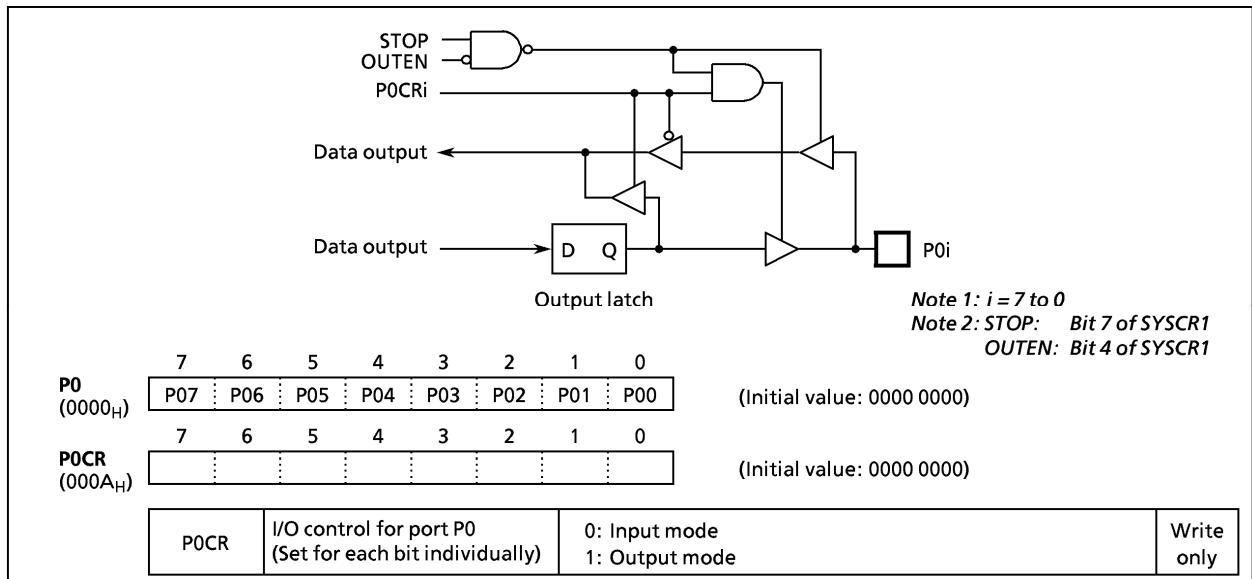


Figure 2-3. Port P0 and P0CR

Example: Setting the upper 4 bits of port P0 as an input port and the lower 4 bits as an output port (Initial output data are 1010<sub>B</sub>).

```
LD      (P0), 00001010B ; Sets initial data to P0 output latches.
LD      (P0CR), 00001111B ; Sets the port P0 input/output mode.
```

### 2.2.2 Port P1 (P17 to P10)

Port P1 is an 8-bit input/output port which can be configured as an input or an output in one-bit unit under software control. Input/output mode is specified by the corresponding bit in the port P1 input/output control register (P1CR). Port P1 is configured as an input if its corresponding P1CR bit is cleared to "0", and as an output if its corresponding P1CR bit is set to "1". During reset, the P1CR is initialized to "0", which configures port P1 as an input. The P1 output latches are also initialized to "0". Data is written into the output latch regardless of P1CR contents. Therefore initial output data should be written into the output latch before setting P1CR. Port P1 is also used as an external interrupt input, a timer/counter input, and a divider output. When used as secondary function pin, the input pins should be set to the input mode, and the output pins should be set to the output mode and beforehand the output latch should be set to "1".

It is recommended that pins P11 and P12 should be used as external interrupt inputs, timer/counter input, or input ports. The interrupt latch is set at the rising or falling edge of the output when used as output ports.

Pin P10 (INT0) can be configured as either an I/O port or an external interrupt input with INT0EN (bit 6 in EINTCR). During reset, pin P10 (INT0) is configured as an input port P10.

**Note 1:** Ports set to the input mode read the pin states. When input pin and output pin exist in port P1 together, the contents of the output latch of ports set to the input mode may be rewritten by executing the bit manipulation instructions. Pins set to the output mode read a value of the output latch.

**Note 2:** The P1CR is a write-only register. It can not be operated by the read-modify instruction (Bit manipulation instructions of SET, CLR, etc. and Arithmetic instructions of AND, OR, etc.)

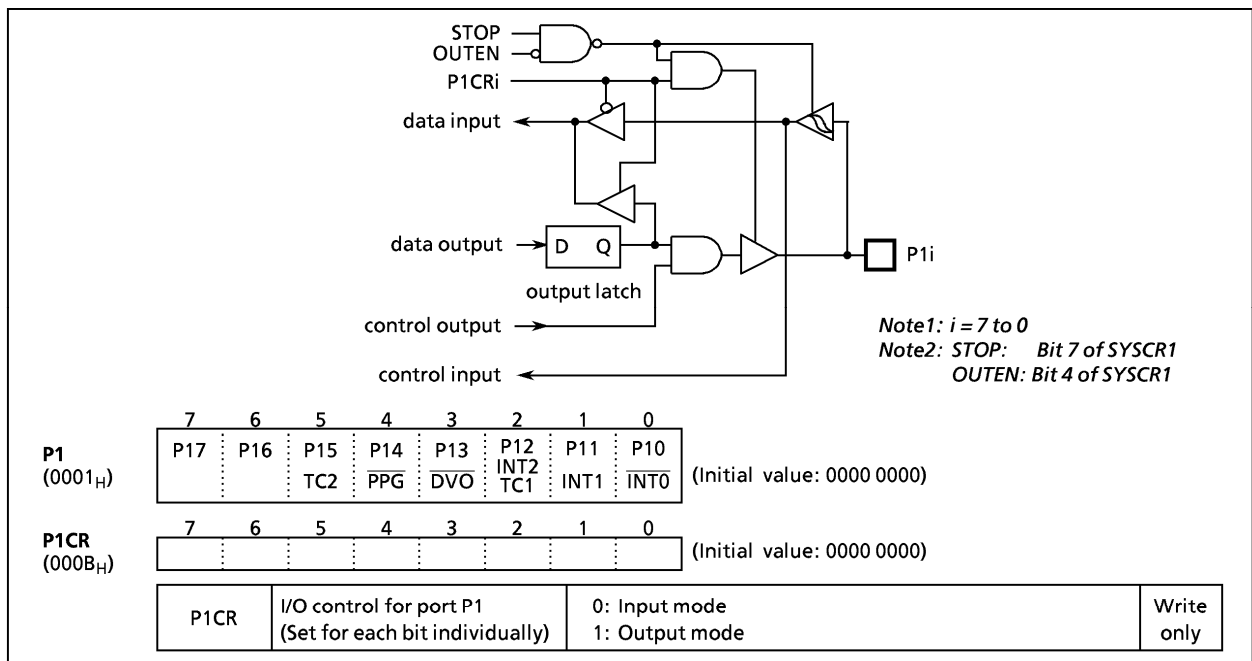


Figure 2-4. Port P1 and P1CR

Example: Sets P17, P16 and P14 as output ports, P13 and P11 as input ports, and the others as function pins. Internal output data is "1" for the P17 and P14 pins, and "0" for the P16 pin.

```
LD    (EINTCR), 01000000B ; INT0EN←1
LD    (P1), 10111111B ; P17←1, P14←1, P16←0
LD    (P1CR), 11010000B
```

2.2.3 Port P2 (P22 to P20)

Port P2 is a 3-bit input/output port. It is also used as an external interrupt input, and low-frequency crystal connection pins. When used as an input port, or a secondary function pin, the output latch should be set to "1". During reset, the output latches are initialized to "1".

A low-frequency crystal (32.768 kHz) is connected to pins P21 (XTIN) and P22 (XTOUT) in the dual-clock mode. In the single-clock mode, pins P21 and P22 can be used as normal input/output ports.

It is recommended that pin P20 should be used as an external interrupt input, a STOP mode release signal input, or an input port. If used as an output port, the interrupt latch is set on the falling edge of the output pulse.

When a read instruction is executed for port P2, bits 7 to 3 read in as "1".

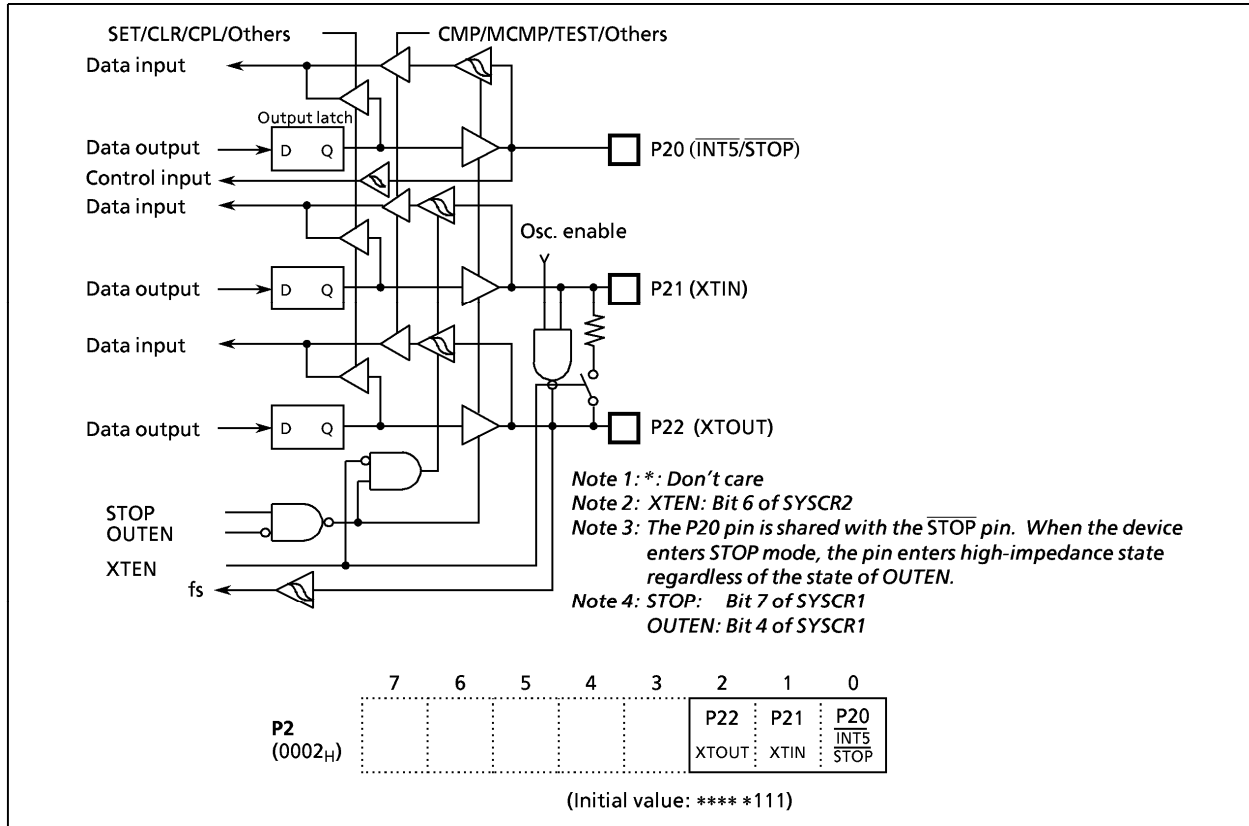


Figure 2-5 (1). Port P2



*Note: If you intend to use the P20 pin as an output port, note the following. It is recommended that the P20 pin only be used as an external interrupt input, STOP release signal input, or general-purpose input.*

- 1) A falling edge (High to low) on the P20 pin causes the  $\overline{\text{INT5}}$  interrupt latch to be set.*
- 2) In STOP mode, the P20 pin remains high-impedance regardless of the value of OUTEN, bit 4 of the SYSCR1 (#0038H).*

*Example: When using an external  $\overline{\text{RESET}}$  signal to release STOP mode, using the P20 pin as an output pin causes the following malfunction (See Figure 2-5 (2)):*

*With a low level output on the P20 pin, entering STOP mode changes the P20 output state from low to high-impedance, where the voltage level is high due to the external pull-up resistor. This causes the TMP87CH48/CM48 to start releasing STOP mode immediately after entering STOP mode, before an external  $\overline{\text{RESET}}$  signal triggers the release of STOP mode. The P20 output must, therefore, be driven high before the device enters STOP mode. In addition, bit 6 (RELM) of the SYSCR1 (#0038H) must be cleared to 0 (to specify a edge-triggered release) before the device enters STOP mode.*

- 3) The condition described in (1) must be noted even if STOP mode is not used.*

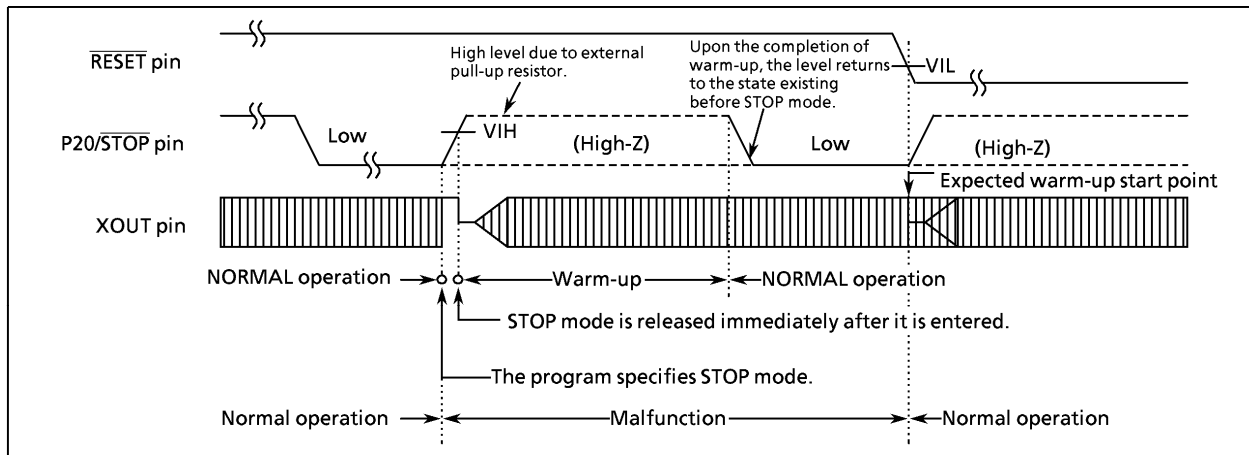


Figure 2-5(2). Example of a malfunction when the P20 pin is used as an output

### 2.2.4 Port P3 (P37 to P30)

Port P3 is an 8-bit input/output port. High current output is available so LEDs can be driven directly. When used as an input port, the output latch should be set to "1". The output latches are initialized to "1" during reset.

Example 1: Output the immediate data 5AH to the P3 port.

```
LD (P3), 5AH; P3 ← 5AH
```

Example 2: Inverts the output of the upper 4bits (P37 - P34) of the P3 port.

```
XOR (P3), 11110000B; P37 to P34 ← P37 to P34
```

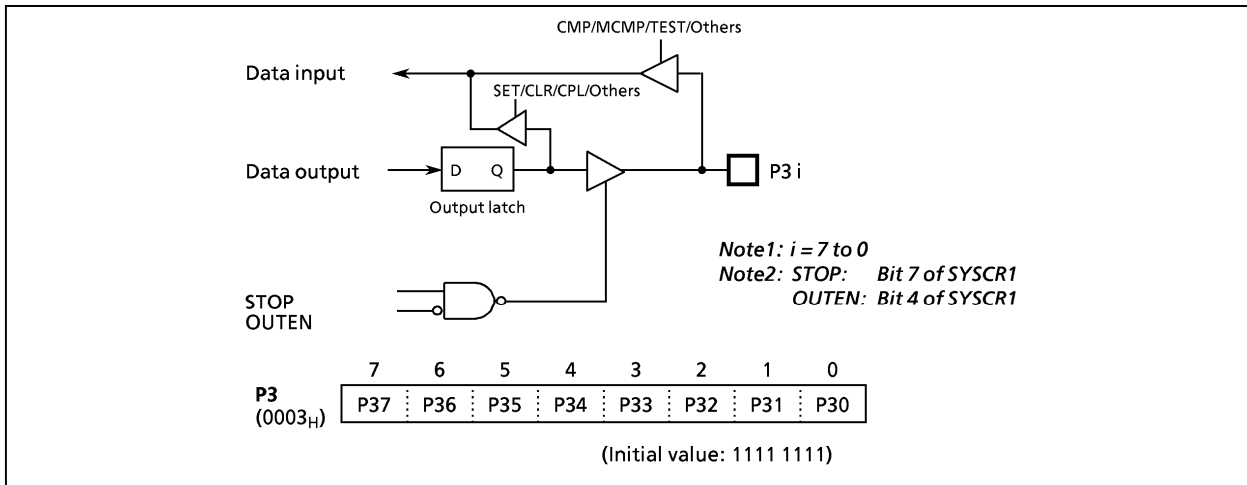


Figure 2-6. Port P3

### 2.2.5 Port P4 (P45 to P40)

Port P4 is a 6-bit input/output port, and is also used as serial interface (SIO/SBI, UART) input/output. When used as an input port or a secondary function pin, the output latch should be set to "1". The output latches are initialized to "1" during reset. Bits 7 to 6 are read in as "1" when a read instruction is executed for the port P4.

### 2.2.6 Port P5 (P52 to P50)

Port P5 is a 3-bit input/output port, and is also used as an external interrupt input, a timer/counter input/output. When used as an input port or a secondary function pin, the output latch should be set to "1". The output latches are initialized to "1" during reset.

Bits 7 to 3 are read in as "1" when a read instruction is executed for the port P5.

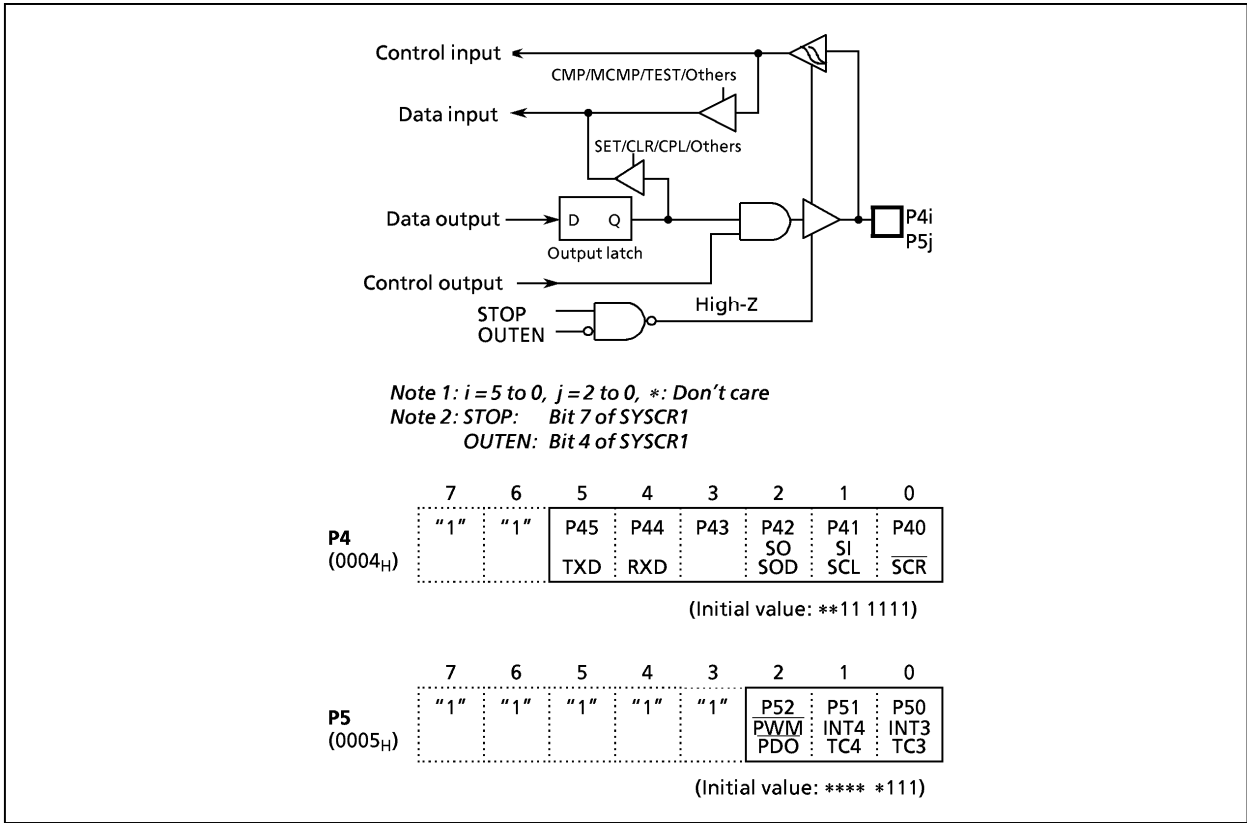


Figure 2-7. Ports P4 and P5

### 2.2.7 Port P6 (P67 to P60)

Port P6 is an 8-bit input/output port which can be configured as an input or an output in one-bit unit under software control. Input/output mode is specified by the corresponding bit in the port P6 input/output control register (P6CR) and AINDS (Bit 4 of ADCCR).

During reset, all bits of P6CR and the P6 output latches are initialized to "0", AINDS is initialized to "0" and SAIN (Bit 3 to bit 0 of ADCCR) is initialized to "0", therefore P60 terminal become analog input.

Nonuse pins as analog input are configured as an input or an output in one-bit unit, but during AD conversion, please don't change the output data for about nonuse pins as analog input of P6 and the other ports to keeping the stability of AD conversion.

During AD conversion (at AINDS = 0), an analog input pin (Selected by P6CR (i) = 0 and SAIN (j) = 1 or P6CR (i) = 1 and SAIN (j) = 1) is read in as "1", when a read instruction is executed for the port P6.

During AD conversion (at AINDS = 0), nonuse pins as analog input configured as input port (by P6CR (i) = 0 and SAIN (j) = 0) are read in as "1" or "0" under the terminal input level, when a read instruction is executed for the port P6.

During AD conversion (at AINDS = 0), nonuse pins as analog input configured as output port (by P6CR (i) = 1, and SAIN (j) = 0) and read in as "1" or "0" under the output latches, when a read instruction is executed for the port P6.

To use P6 port as the output pins, data is written into the output latch regardless of the P6CR contents. Therefore initial output data should be written into the output latch before setting P6CR.

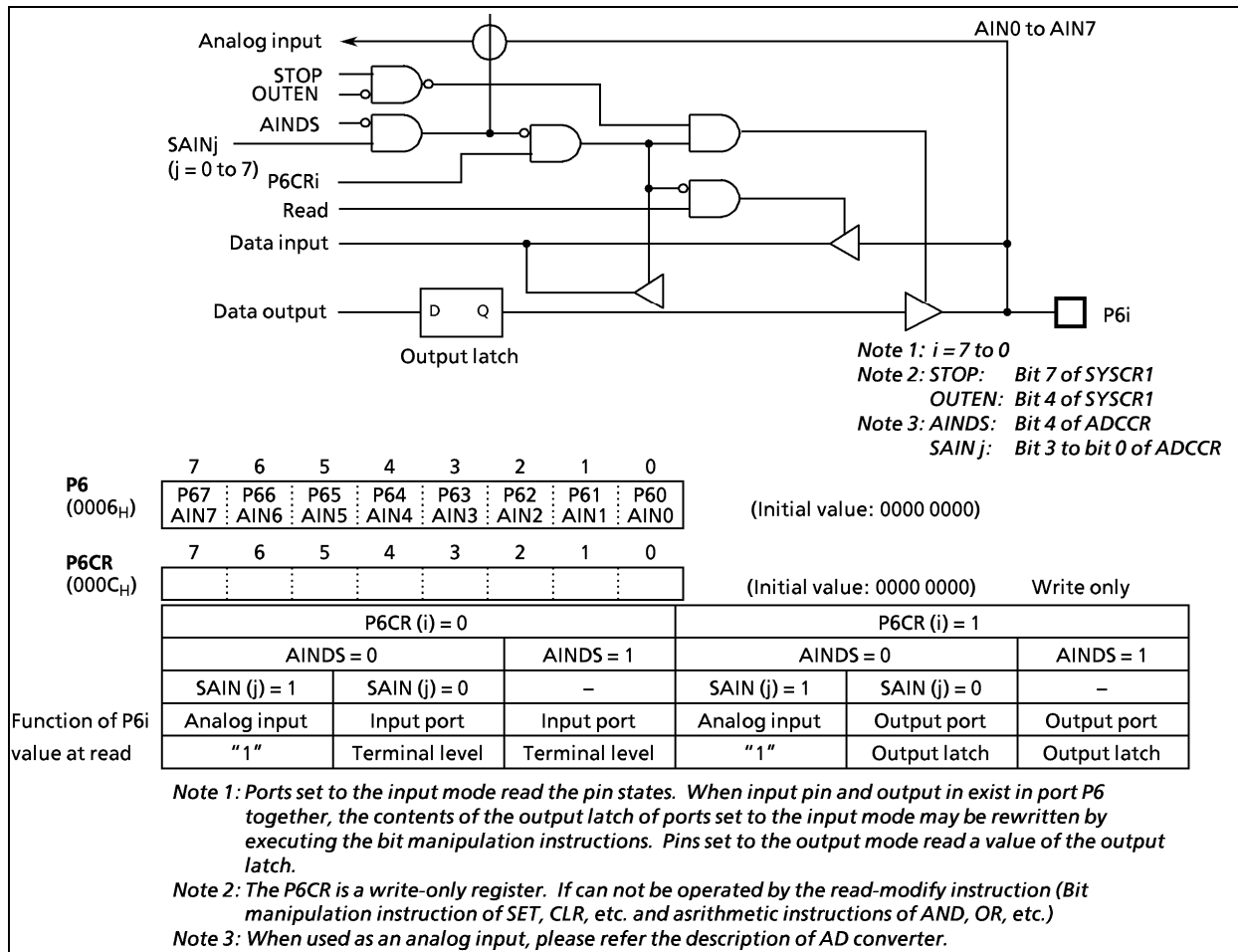


Figure 2-8. Port P6

### 2.2.8 Port P7 (P77 to P70)

Port P7 is an 8-bit input/output port which can be configured as either input or output in one-bit unit under software control. Input/output mode is specified by the corresponding bit in the port P7 input/output control register (P7CR) and AINDS (Bit 4 of ADCCR).

During reset, all bits of P7CR and the P7 output latches are initialized to "0", AINDS is initialized to "0" and SAIN (Bit 3 to bit 0 of ADCCR) is initialized to "0", therefore port P7 become analog input after setting the SAIN (Bit 3 to bit 0 of ADCCR) to '1000 to 1111'.

Nonuse pins as analog input are configured as input or an output in one-bit unit, but during AD conversion, please don't change the output data for about nonuse pins as analog input of P7 and the other ports to keeping the stability of AD conversion.

During AD conversion (at AINDS = 0), an analog input pin (Selected by P7CR (i) = 0 and SAIN (j) = 1 or P7CR (i) = 1 and SAIN (j) = 1) is read in as "1", when a read instruction is executed for the port P7.

During AD conversion (at AINDS = 0), nonuse pins as analog input configured as input port (by P7CR (i) = 0 and SAIN (j) = 0) are read in as "1" or "0" under the terminal input level, when a read instruction is executed for the port P7.

During AD conversion (at AINDS = 0), nonuse pins as analog input configured as output port (by P7CR (i) = 1, and SAIN (j) = 0) and read in as "1" or "0" under the output latches, when a read instruction is executed for the port P7.

To use P7 port as the output pins, data is written into the output latch regardless of the P7CR contents. Therefore initial output data should be written into the output latch before setting P7CR.

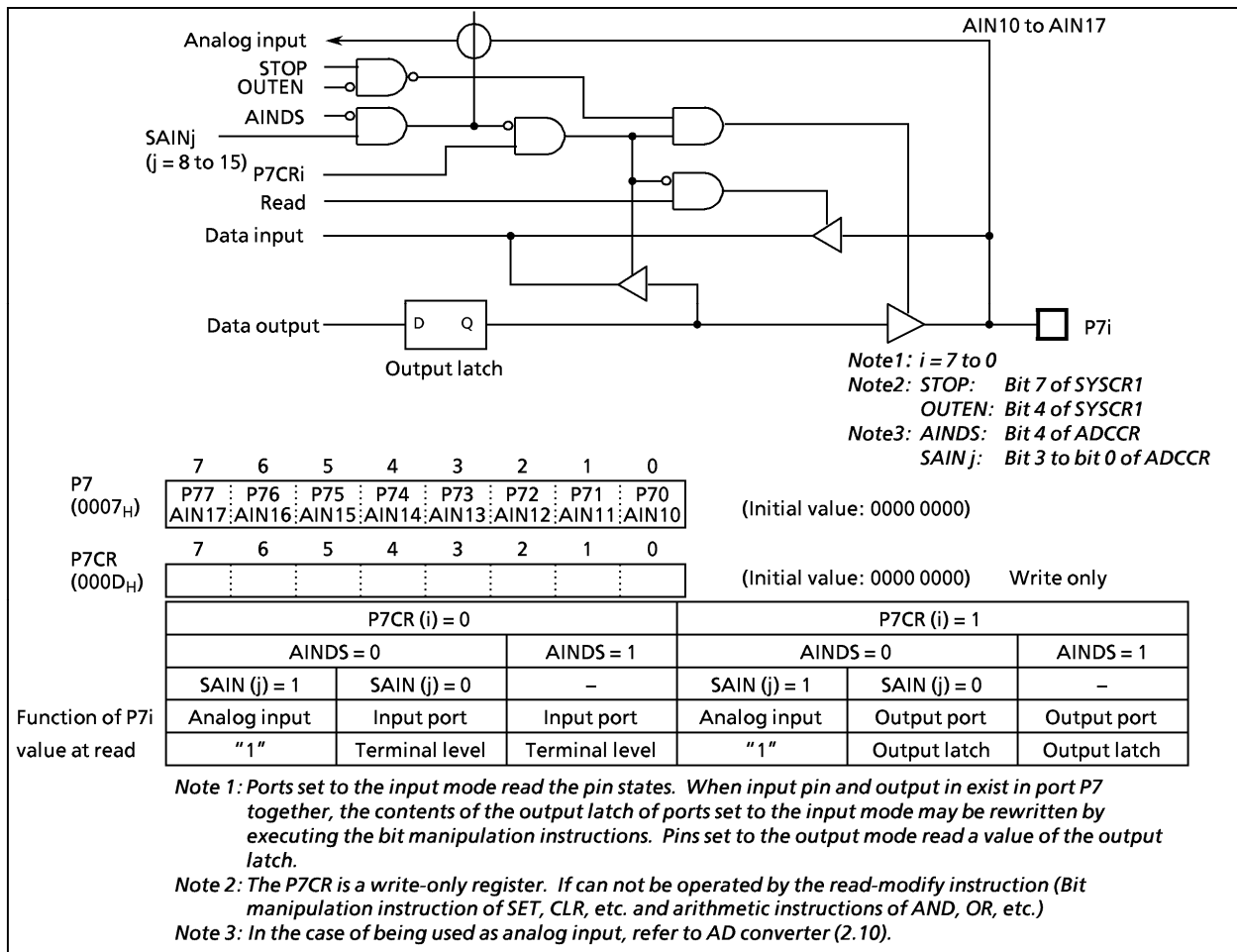


Figure 2.9 (a) Port P7 and P7CR

2.2.9 Port P8 (P83 to P80)

Port P8 is an 4-bit general-purpose input/output port which can be configured as either an input or an output in one-bit unit under software control. Input/output mode is specified as an input if its corresponding P8CR bit is cleared to "0", and as an output if its corresponding P8CR bit is set to "1". During reset, P8CR is initialized to "0", which configures port P8 as input. The P8 output latches are also initialized to "0". To use P8 port as the output pins, data is written into the output latch regardless of the P8CR contents. Therefore initial output data should be written into the output latch before setting P8CR. Bits 7 to 4 are read in as "1" when a read instruction is executed for the port P8. Bits 3 to 0 are read in as the output latch contents. To use P8 port as the PWM0 to PWM3 pin, set port output latches to 1.

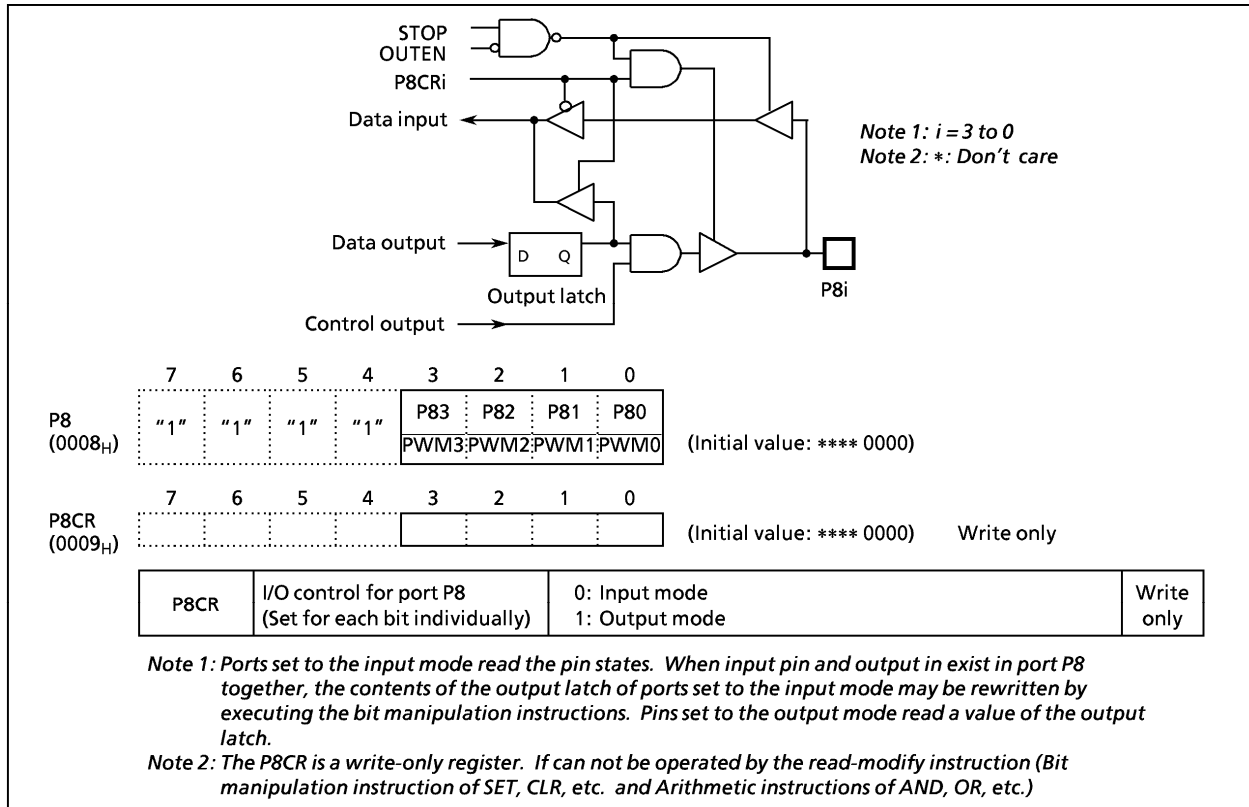


Figure 2.9 (b) Port P8 and P8CR

### 2.3 Time Base Timer (TBT)

The time base timer is used to generate the base time for key scan and dynamic display processing. For this purpose, it generates a time-base timer interrupt (INTTBT) at predetermined intervals.

This interrupt is generated beginning with the first rising edge of the source clock (The timing generator's divider output selected by TBTCR) after the time-base timer is enabled. Note that since the divider cannot be cleared by a program, the first interrupt only may occur earlier than the set interrupt period. (See Figure 2-10 (b))

When selecting the interrupt frequency, make sure the time-base timer is disabled. (Do not change the selected interrupt frequency when disabling the active timer either.) However, you can select the interrupt frequency simultaneously when enabling the timer.

Example: Sets the time base timer frequency to  $fc/2^{16}$  [Hz] and enables an INTTBT interrupt.

```
LD      (TBTCR), 00001010B
SET     (EIRL). 6
```

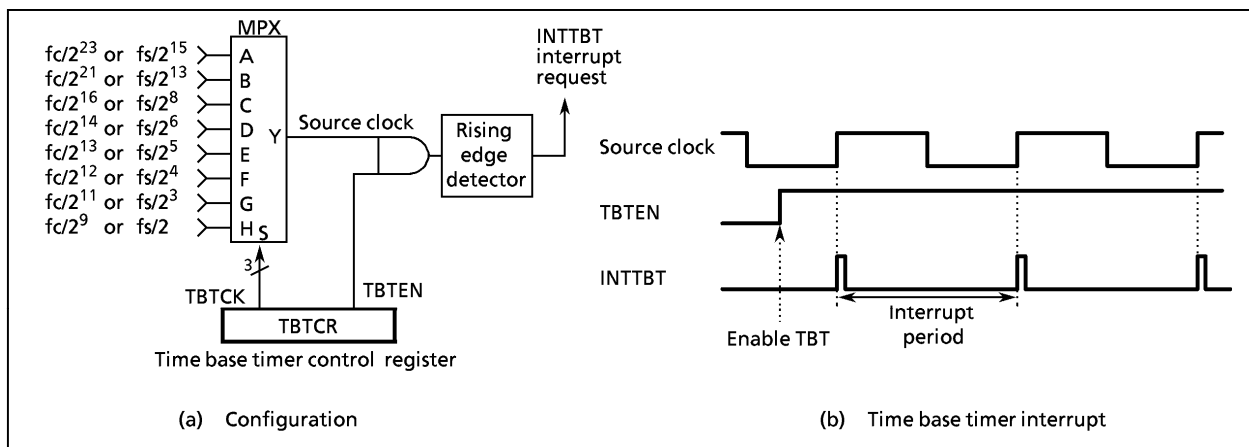


Figure 2-10. Time Base Timer

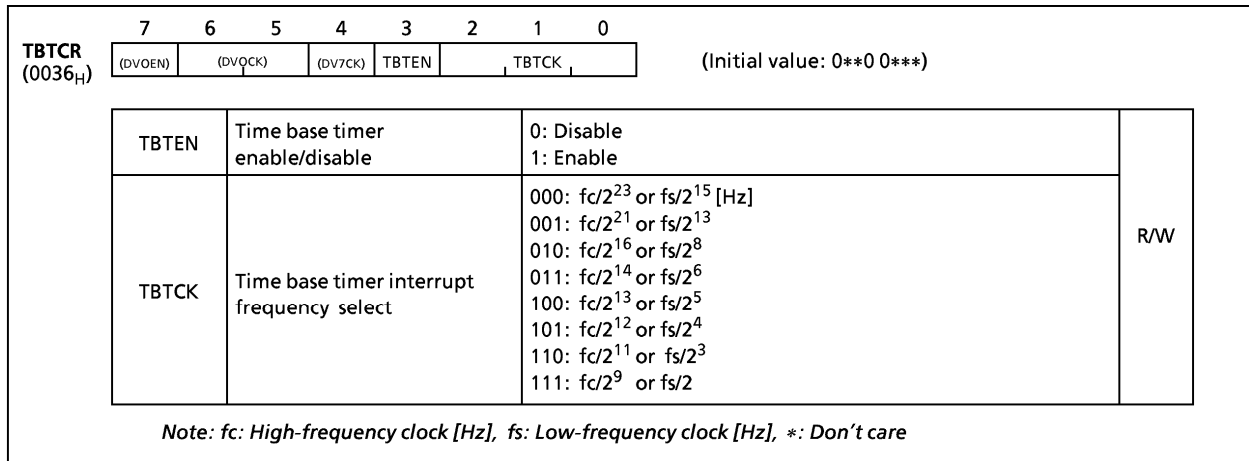


Figure 2-11. Time Base Timer and Divider Output Control Register

Table 2-1. Time Base Timer Interrupt Frequency

TBTCK	NORMAL1/2 Modes IDLE1/2 Modes		SLOW Modes SLEEP Modes	Interrupt Frequency	
	DV7CK = 0	DV7CK = 1		at $fc = 8$ MHz	at $fs = 32.768$ kHz
	000	$fc/2^{23}$	$fs/2^{15}$	$fs/2^{15}$	0.95 Hz
001	$fc/2^{21}$	$fs/2^{13}$	$fs/2^{13}$	3.81	4
010	$fc/2^{16}$	$fs/2^8$	-	122.07	128
011	$fc/2^{14}$	$fs/2^6$	-	488.28	512
100	$fc/2^{13}$	$fs/2^5$	-	976.56	1024
101	$fc/2^{12}$	$fs/2^4$	-	1953.12	2048
110	$fc/2^{11}$	$fs/2^3$	-	3906.25	4096
111	$fc/2^9$	$fs/2$	-	15625	16384



### 2.4 Divider Output ( $\overline{DVO}$ )

A 50% duty pulse can be output using the divider output circuit, which is useful for piezo-electric buzzer drive. Divider output is from pin P13 ( $\overline{DVO}$ ). The P13 output latch should be set to "1" and then the P13 should be configured as an output mode.

Divider output circuit is controlled by the control register (TBTCR) shown in Figure 2-12.

*Note: Selection of divider output frequency must be made while divider output is disabled.*

<b>TBTCR</b> (0036 <sub>H</sub> )	7	6	5	4	3	2	1	0	
	DVOEN	DVOCK	(DV7CK)	(TBTEN)	(TBTCK) <sub>1</sub>				(Initial value: 0**0 0***)
	DVOEN	Divider output enable/disable						0: Disable 1: Enable	R/W
	DVOCK	Divider output ( $\overline{DVO}$ ) frequency selection						00: $fc/2^{13}$ or $fs/2^5$ [Hz] 01: $fc/2^{12}$ or $fs/2^4$ 10: $fc/2^{11}$ or $fs/2^3$ 11: $fc/2^{10}$ or $fs/2^2$	
<i>Note: fc: High-frequency clock [Hz], fs: Low-frequency clock [Hz], *: Don't care</i>									

Figure 2-12. Divider Output Control Register

Example: 1 kHz pulse output (at  $fc = 8$  MHz)

```

SET      (P1).3           ; P13 output latch ← 1
LD       (P1CR), 00001000B ; Configures P13 as an output mode.
LD       (TBTCR), 10000000B ; DVOEN ← 1, DVOCK ← 0
    
```

Table 2-2. Frequency of Divider Output

DVOCK	Frequency of Divider Output	at $fc = 8$ MHz	at $fs = 32.768$ kHz
00	$fc/2^{13}$ or $fs/2^5$	0.976 [kHz]	1.024 [kHz]
01	$fc/2^{12}$ or $fs/2^4$	1.953	2.048
10	$fc/2^{11}$ or $fs/2^3$	3.906	4.096
11	$fc/2^{10}$ or $fs/2^2$	7.812	8.192

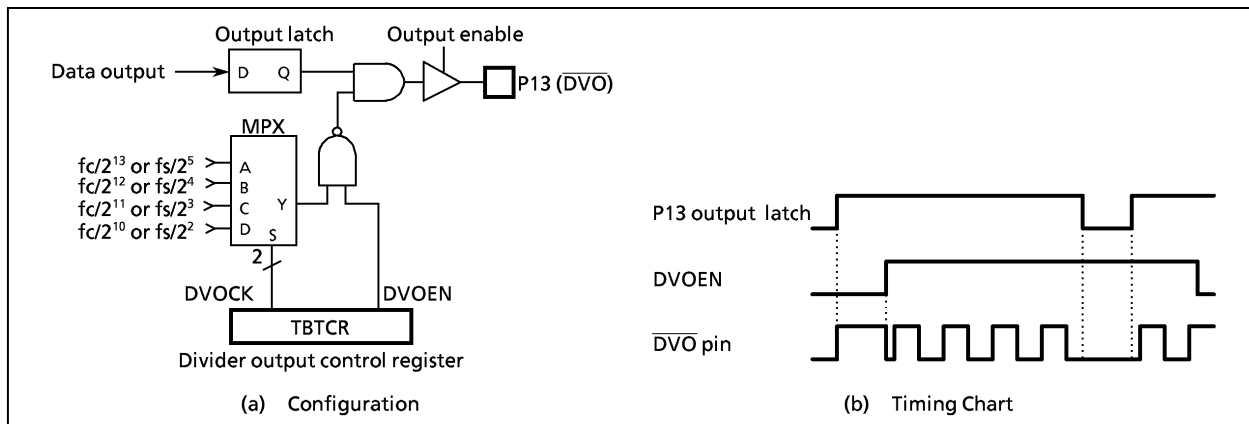


Figure 2-13. Divider Output

2.5 16-Bit Timer/Counter 1 (TC1)  
 2.5.1 Configuration

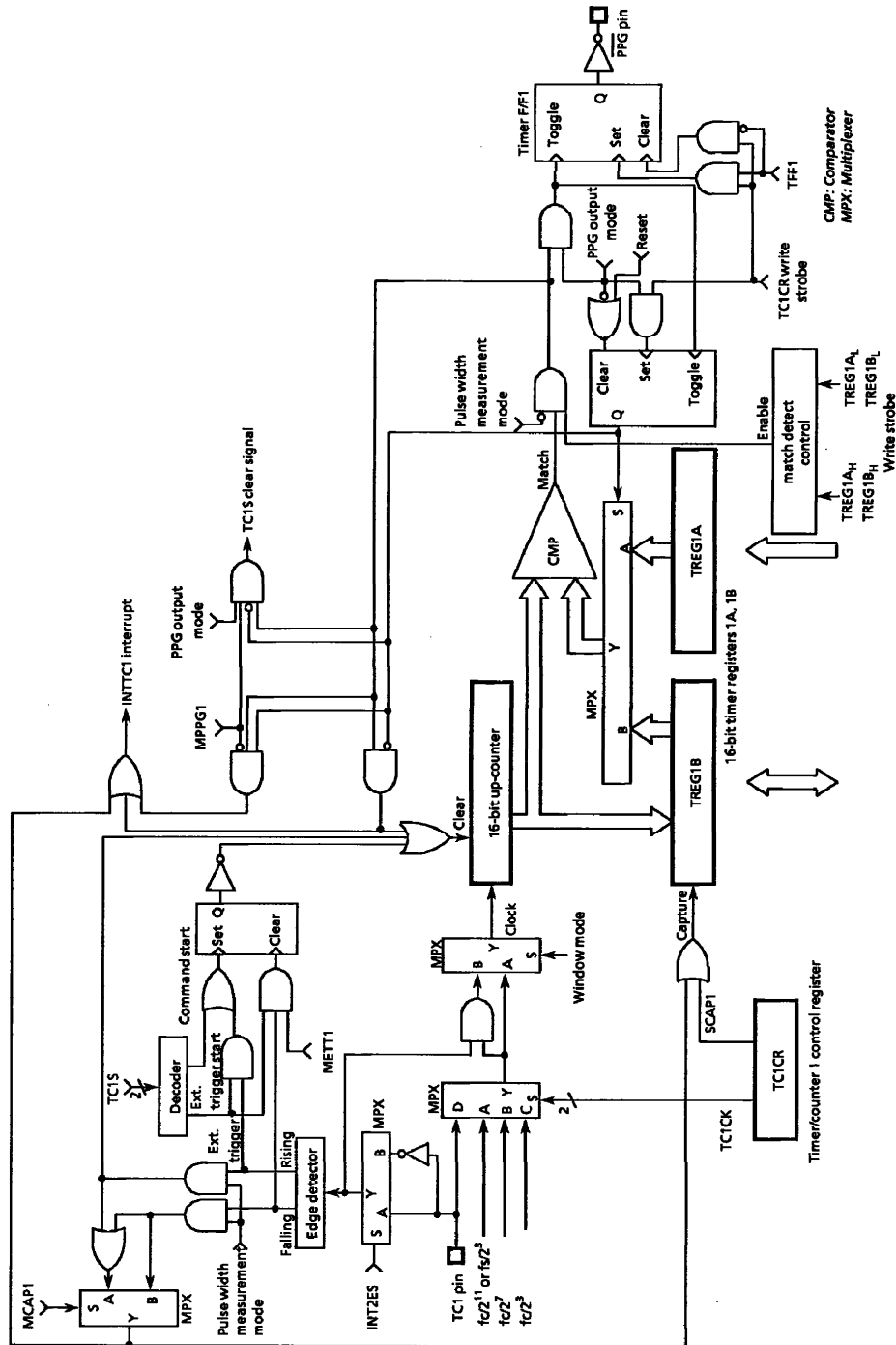


Figure 2-14. Timer/Counter 1

2.5.2 Control

The timer/counter 1 is controlled by a timer/counter 1 control register (TC1CR) and two 16-bit timer registers (TREG1A and TREG1B). Reset does not affect TREG1A and TREG1B.

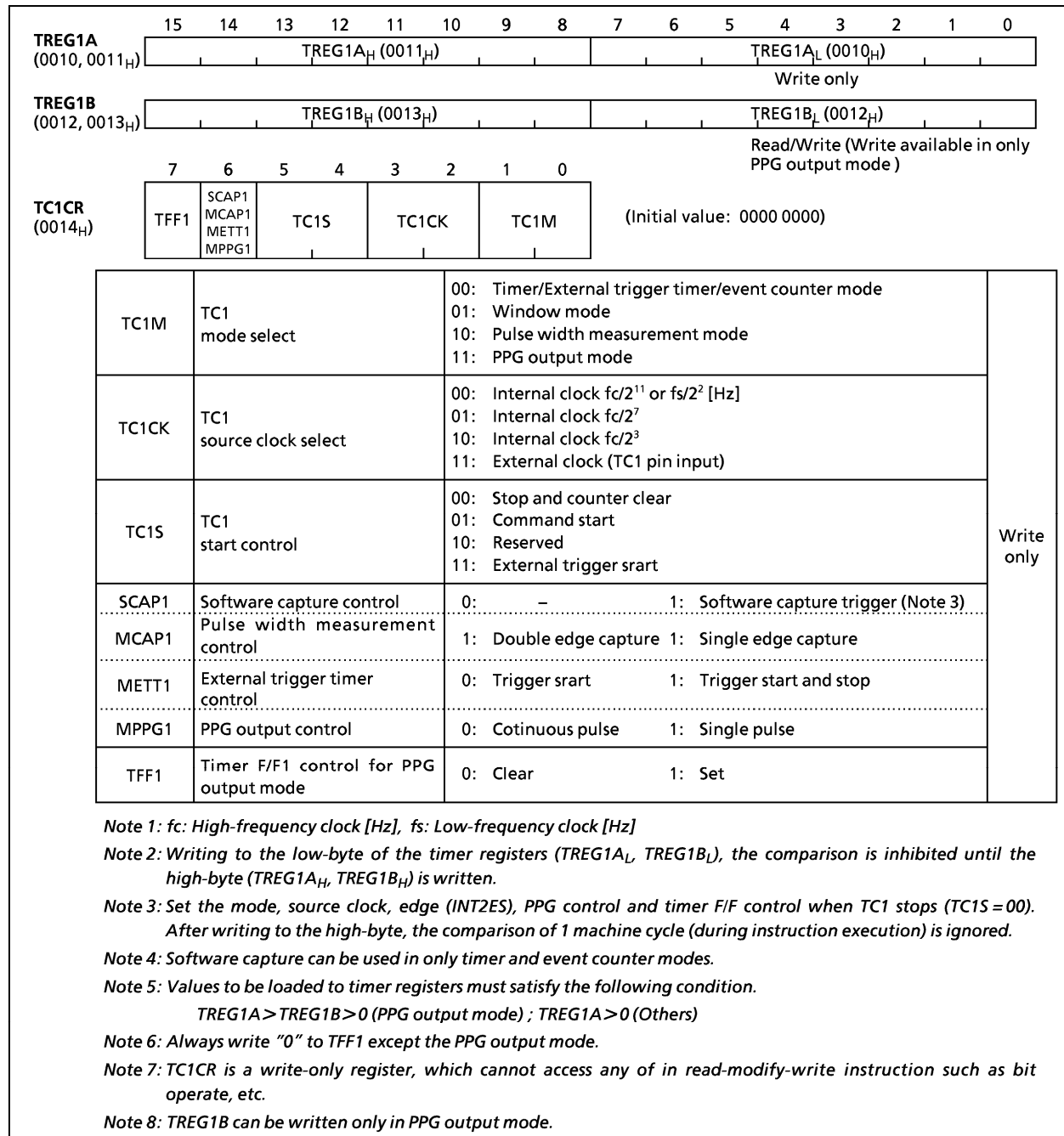


Figure 2-15. Timer Registers and TC1 Control Register

2.5.3 Function

Timer/counter 1 has six operating modes: timer, external trigger timer, event counter, window, pulse width measurement, programmable pulse generator output mode.

(1) Timer mode

In this mode, counting up is performed using the internal clock. The contents of TREG1A are compared with the contents of up counter. If a match is found, an INTTC1 interrupt is generated, and the counter is cleared to "0". Counting up resumes after the counter is cleared. The current contents of up counter can be transferred to TREG1B by setting SCAP1 (Bit 6 in TC1CR) to "1" (Software capture function). SCAP1 is automatically cleared to "0" after capturing.

Table 2-3. Timer/Counter 1 Source Clock (Internal clock)

Source Clock		SLOW Modes SLEEP Modes	Resolution		Maximum Time Setting	
NORMAL1/2 Modes IDLE1/2 Modes	at $f_c = 8\text{ MHz}$		at $f_s = 32.768\text{ kHz}$	at $f_c = 8\text{ MHz}$	at $f_s = 32.768\text{ kHz}$	
DV7CK = 0	DV7CK = 1					
$f_c/2^3$ [Hz]	$f_c/2^3$ [Hz]	-	1 $\mu\text{s}$	-	65.5 ms	-
$f_c/2^7$	$f_c/2^7$	-	16 $\mu\text{s}$	-	1.0 s	-
$f_c/2^{11}$	$f_s/2^3$	$f_s/2^3$ [Hz]	256 $\mu\text{s}$	244.14 $\mu\text{s}$	16.8 s	16.0 s

Example 1: Sets the timer mode with source clock  $f_s/2^3$  [Hz] and generates an interrupt 1s later ( $f_s = 32.768\text{ kHz}$ ).

```
LD      (TC1CR), 00000000B      ; Sets the TC1 mode and source clock.
LDW    (TREG1A), 1000H         ; Sets the timer register (1 s ÷ 23/fs = 1000H)
SET    (EIRL).EF4             ; enable INTTC1
EI
LD      (TC1CR), 00010000B     ; Starts TC1.
```

Example 2: Software capture

```
LD      (TC1CR), 01010000B     ; SCAP1 ← 1 (Captures)
LD      WA, (TREG1B)           ; Reads captured value.
```

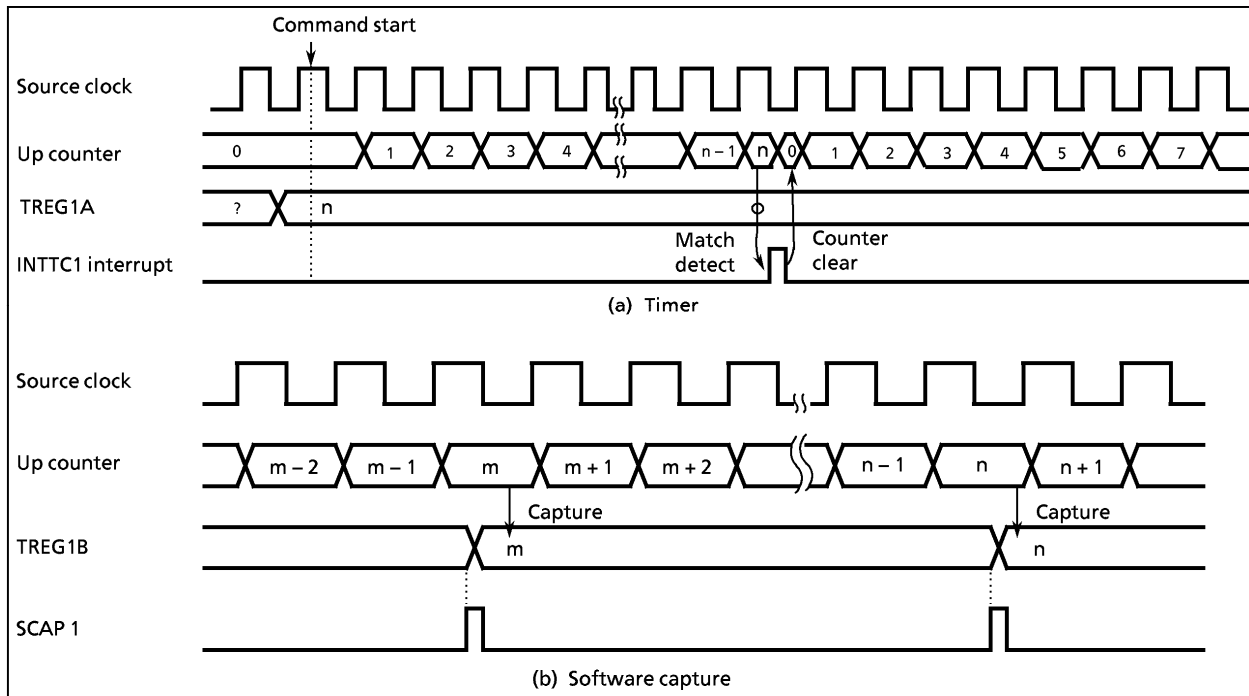


Figure 2-16. Timer Mode Timing Chart

## (2) External trigger timer mode

In this mode, counting up is started by an external trigger. This trigger is the edge of the TC1 pin input. Either the rising or falling edge can be selected with INT2ES. Edge selection is the same as for the external interrupt input INT2 pin. Source clock is used an internal clock selected with TC1CK. The contents of TREG1A is compared with the contents of up counter. If a match is found, an INTTC1 interrupt is generated, and the counter is cleared to "0" and halted. The counter is restarted by the selected edge of the TC1 pin input.

The TC1 pin input has the same noise rejection as the INT2 pin; therefore, pulses of  $7/f_c$  [s] or less are rejected as noise. A pulse width of  $24/f_c$  [s] or more is required for edge detection in NORMAL1/2 or IDLE1/2 mode. The noise rejection circuit is turned off in SLOW and SLEEP modes. But, a pulse width of  $4/f_s$  [s] or more is required.

Example1: Generate the interrupt after  $100 \mu\text{s}$  from the rising edge of TC1 input ( $f_c = 8 \text{ MHz}$ )

```
LD      (EINTCR), 00000000B ; INT2ES ← 0 (Select the rising edge)
LDW    (TREG1A), 0064H      ;  $100 \mu\text{s} \div 2^3/f_c = 64_H$ 
SET    (EIRL).EF4          ; Enable INTTC1
EI
LD      (TC1CR), 00111000B ; Trigger start, METT = 0
```

Example 2: Generate the interrupt when the "L" level signal via TC1 pin is more than 4 ms.  
( $f_c = 8 \text{ MHz}$ )

```
LD      (EINTCR), 00000100B ; INT2ES ← 1 (Select "L")
LDW    (TREG1A), 00FAH      ;  $4 \text{ ms} \div 2^7/f_c = FA_H$ 
SET    (EIRL).EF4          ; Enable INTTC1
EI
LD      (TC1CR), 01110100B ; Trigger start, METT = 1
```

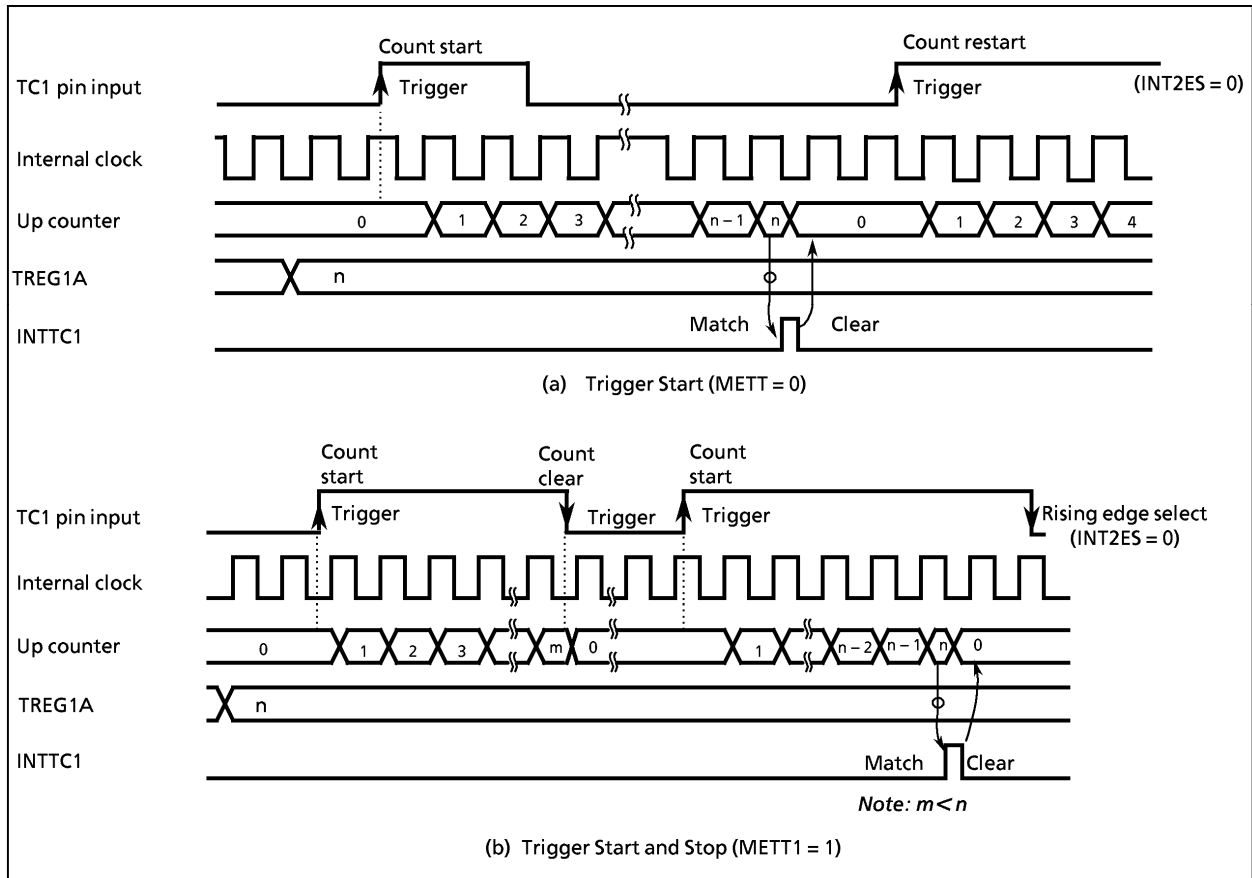


Figure 2-17. External Trigger Timer Mode Timing Chart

**(3) Event counter mode**

In this mode, events are counted on the edge of the TC1 pin input. Either the rising or falling edge can be selected with INT2ES in EINTCR. The contents of TREG1A are compared with the contents of up-counter. If a match is found, an INTTC1 interrupt is generated, and the counter is cleared. The maximum applied frequency is  $f_c/2^4$  [Hz] in NORMAL1/2 or IDLE1/2 mode and  $f_s/2^4$  [Hz] in SLOW or SLEEP mode.

Setting SCAP1 to "1" transfers the current contents of up-counter to TREG1B (Software capture function). SCAP is automatically cleared after capturing.

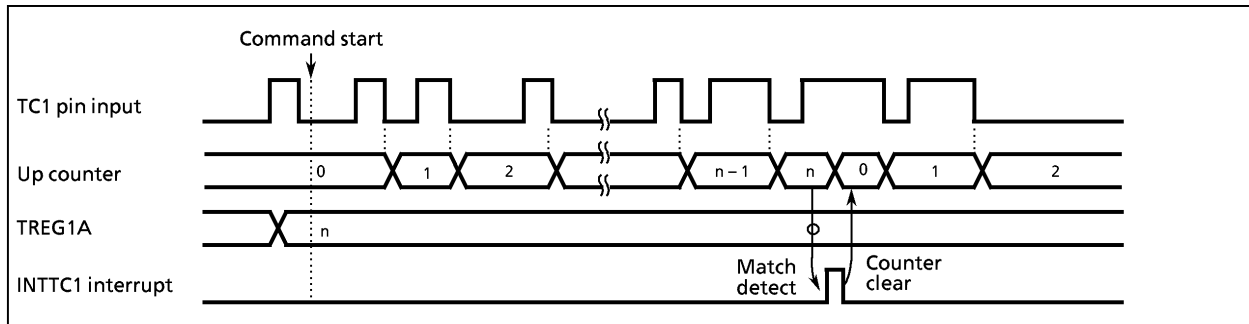


Figure 2-18. Event Counter Mode Timing Chart (INT2ES = 1)

(4) Window mode

Counting up is performed on the rising edge of the pulse that is the logical AND-ed product of the TC1 pin input (window pulse) and an internal clock. The contents of TREG1A are compared with the contents of up-counter. If a match is found, an INTTC1 interrupt is generated, and the counter is cleared. Positive or negative logic for the TC1 pin input can be selected with INT2ES. Setting SCAP1 to "1" transfers the current contents of up-counter to TREG1B. It is necessary that the maximum applied frequency (TC1 input) be such that the counter value can be analyzed by the program. That is, the frequency must be considerably slower than the selected internal clock.

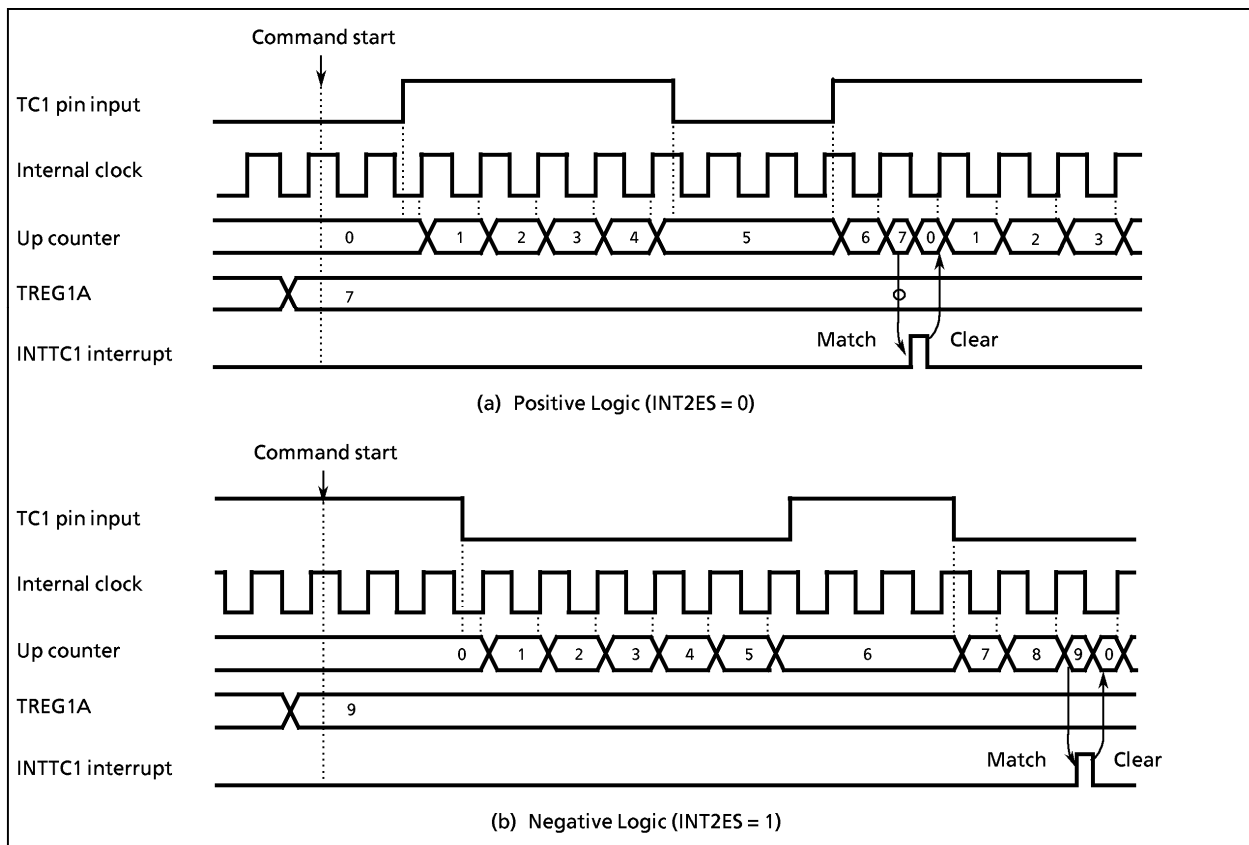


Figure 2-19. Window Mode Timing Chart

(5) Pulse width measurement mode

Counting is started by the external trigger (Set to external trigger start by TC1S). The trigger can be selected either the rising or falling edge of the TC1 pin input. The source clock is used an internal clock. On the next falling (Rising) edge, the counter contents are transferred to TREG1B and an INTTC1 interrupt is generated. The counter is cleared when the single edge capture mode is set. When double edge capture is set, the counter continues and, at the next rising (Falling) edge, the counter contents are again transferred to TREG1B. If a falling (Rising) edge capture value is required, it is necessary to read out TREG1B contents until a rising (Falling) edge is detected. Falling or rising edge is selected with INT2ES, and single edge or double edge is selected with MCAP1 (Bit 6 in TC1CR).

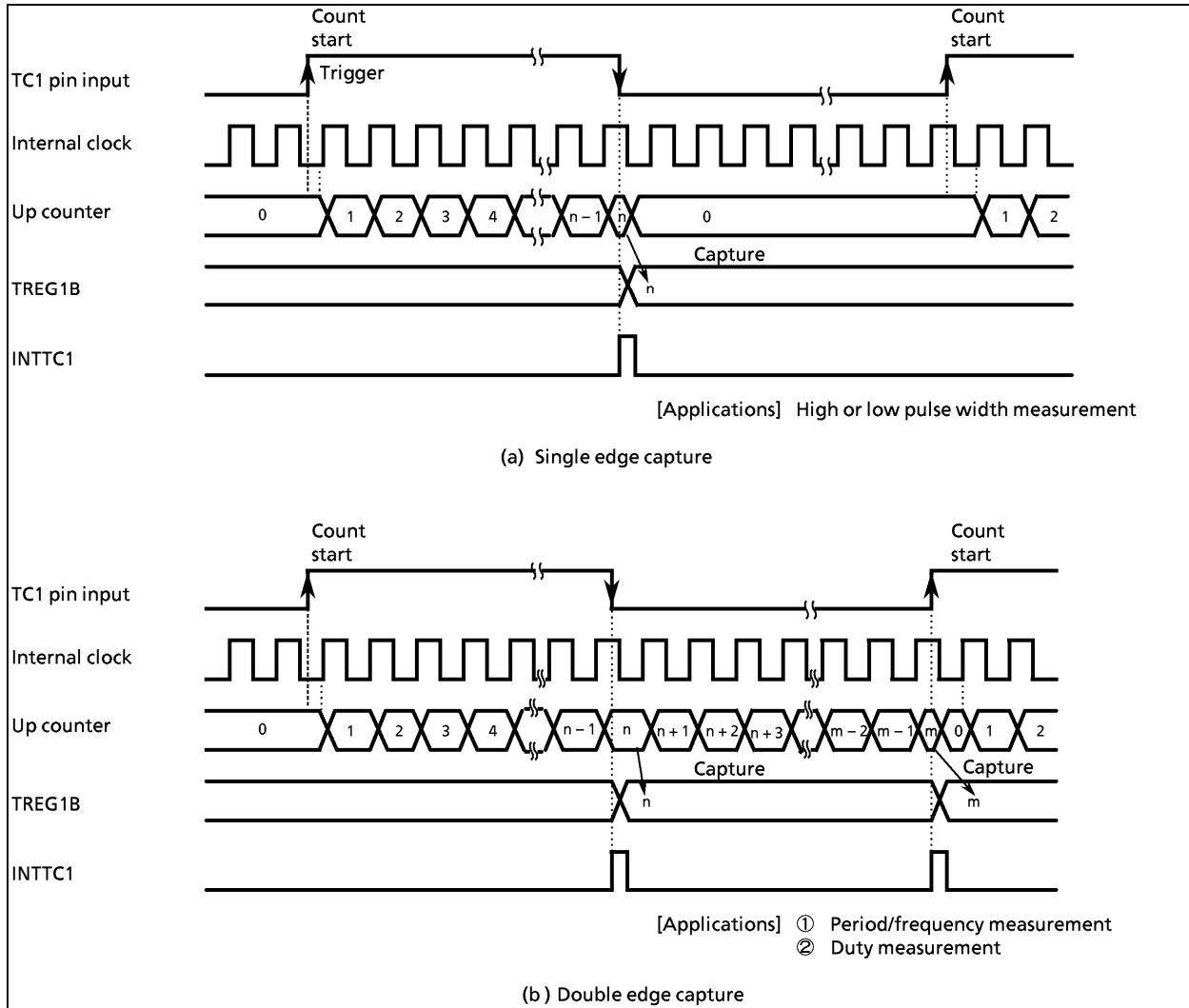


Figure 2-20. Pulse Width Measurement Mode Timing Chart



Example: Duty measurement (Resolution  $f_c/2^7$  [Hz])

```

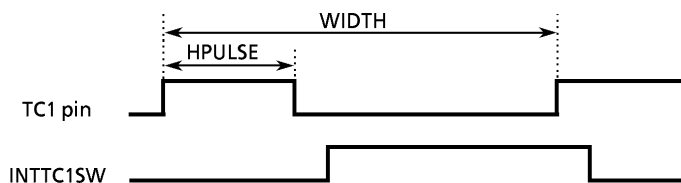
CLR  (INTTC1SW). 0           ; INTTC1 service switch initial setting.
LD   (EINTCR), 00000000B    ; Sets the rise edge at the INT2 edge.
LD   (TC1CR), 00000110B     ; Sets the TC1 mode and source clock.
SET  (EIRL). 4              ; Enables INTTC1.
EI
LD   (TC1CR), 00110110B     ; Starts TC1 with an external trigger.

PINTTC1: CPL (INTTC1SW). 0   ; Complements INTTC1 service switch.
      JRS  F, SINTTC1
      LD  (HPULSE), (TREG1BL) ; Reads TREG1B.
      LD  (HPULSE + 1), (TREG1BH)
      RETI
SINTTC1: LD  (WIDTH), (TREG1BL) ; Reads TREG1B (Period).
      LD  (WIDTH + 1), (TREG1BH)

      RETI

VINTTC1: DW  PINTTC1

```



#### (6) Programmable pulse generate (PPG) output mode

Counting is started by an edge of the TC1 pin input (either the rising or falling edge can be selected) or by a command. The source clock is used an internal clock. First, the contents of TREG1B are compared with the contents of the up-counter. If a match is found, timer F/F1 output is toggled. Next, timer F/F1 is again toggled and the counter is cleared by matching with TREG1A. An INTTC1 interrupt is generated at this time. Timer F/F output is connected to the P14 ( $\overline{PPG}$ ) pin. In the case of  $\overline{PPG}$  output, set the P14 output latch to "1" and configure as an output with P1CR<sub>4</sub>. Timer F/F1 is cleared to "0" during reset. The timer F/F1 value can also be set by program and either a positive or negative logic pulse output is available. Also, writing to the TREG1B is not possible unless the timer/counter 1 is set to the PPG output mode with TC1M.

Example: Output the pulse which has 800  $\mu$ s high level width and 200  $\mu$ s low level width.  
( $f_c = 8$  MHz)

```

SET  (P1).4                 ; P14 output latch ← 1
LD   (P1CR), 00010000B     ; Set P14 to output mode
LD   (TC1CR), 10001011B    ; Set PPG mode
LDW  (TREG1A), 03E8H        ; Set the period of one cycle
                                (1 ms ÷ 1  $\mu$ s = 03E8H).
LDW  (TREG1B), 00C8H        ; Set the width of low level
                                (200  $\mu$ s ÷ 1  $\mu$ s = 00C8H)
LD   (TC1CR), 10011011B    ; Start TC1

```

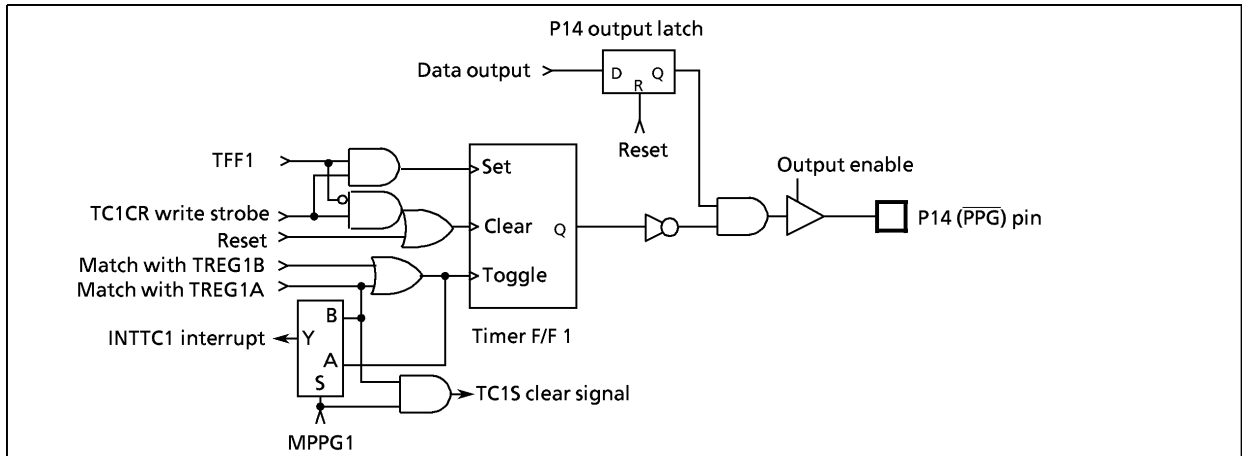


Figure 2-21. PPG Output

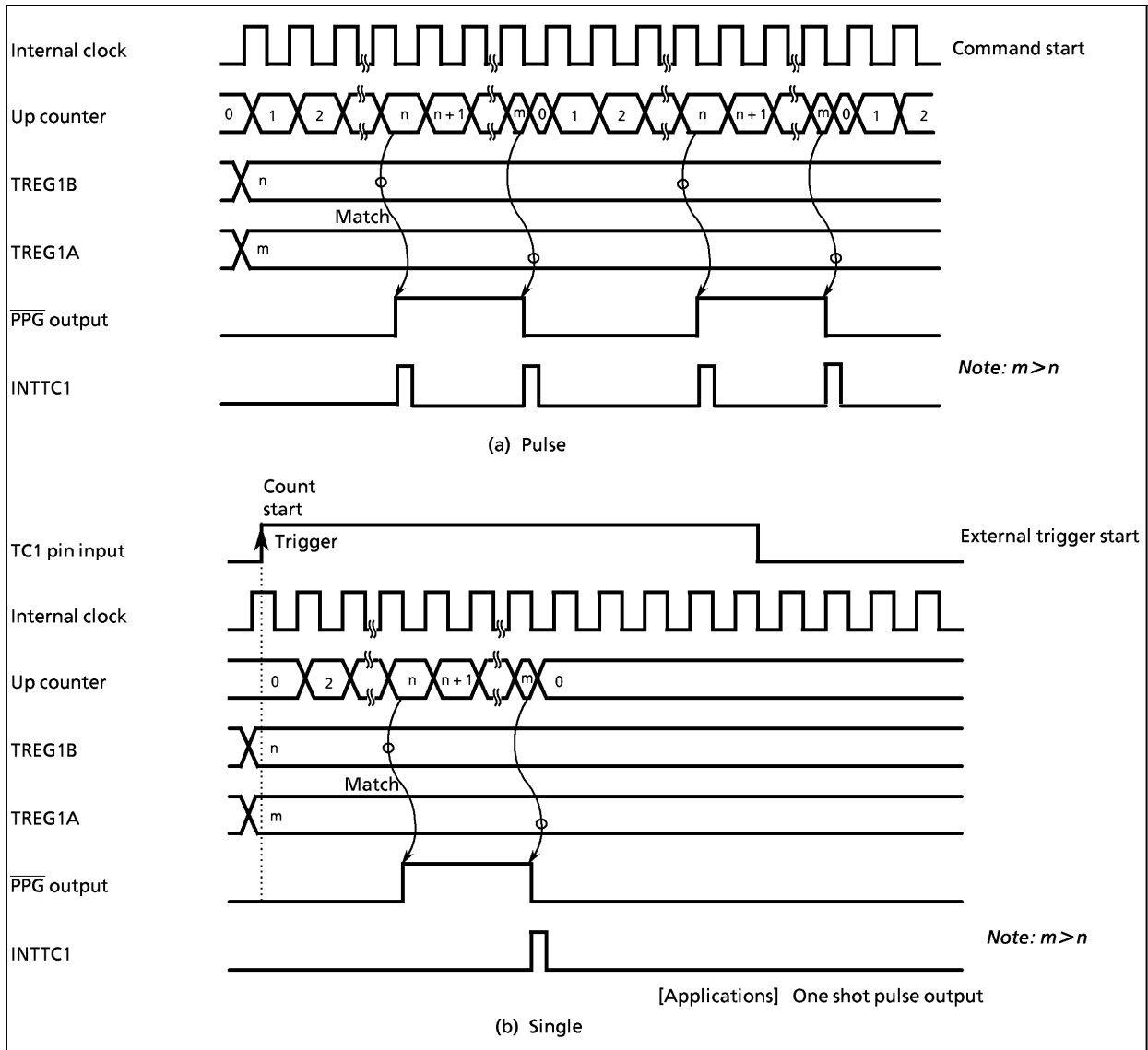


Figure 2-22. PPG Output Mode Timing Chart

## 2.6 16-Bit Timer/Counter 2 (TC2)

### 2.6.1 Configuration

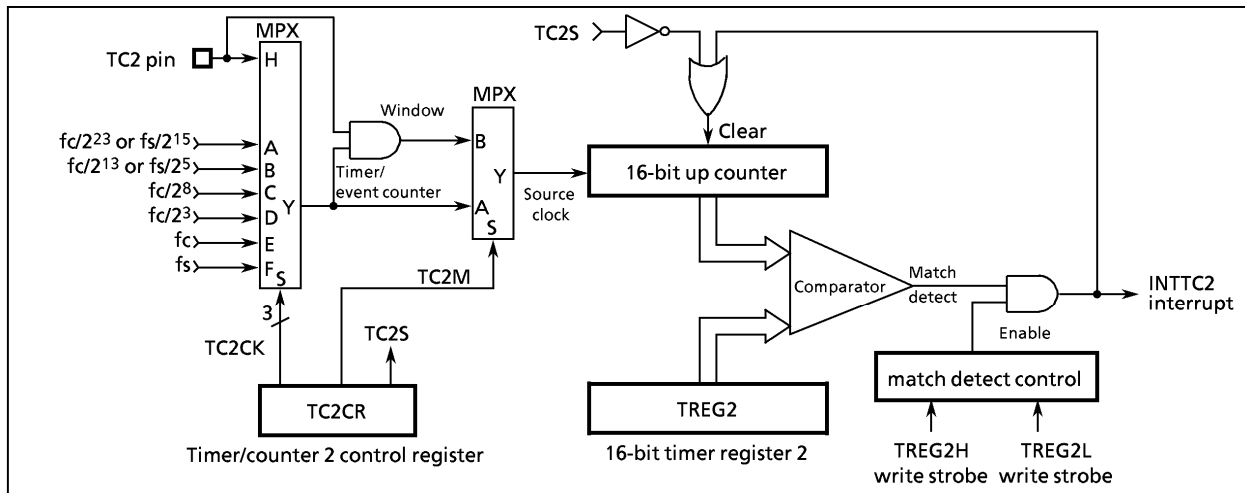


Figure 2-23. Timer/Counter 2 (TC2)

### 2.6.2 Control

The timer/counter 2 is controlled by a timer/counter 2 control register (TC2CR) and a 16-bit timer register 2 (TREG2). Reset does not affect TREG2.

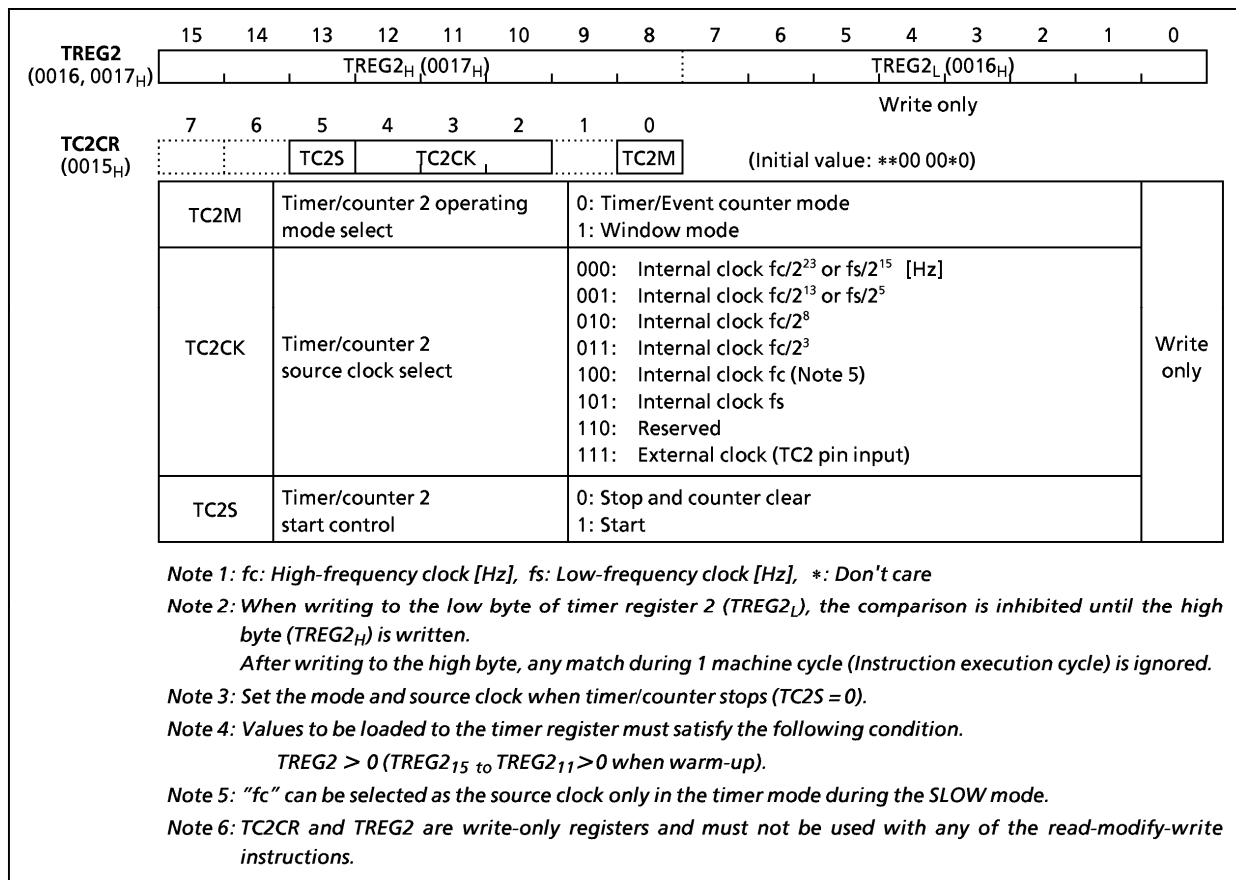


Figure 2-24. Timer Register 2 and TC2 Control Register

### 2.6.3 Function

The timer/counter 2 has three operating modes: timer, event counter and window modes. Also timer/counter 2 is used for warm-up when switching from SLOW mode to NORMAL2 mode.

#### (1) Timer mode

In this mode, the internal clock is used for counting up. The contents of TREG2 are compared with the contents of up-counter. If a match is found, a timer/counter 2 interrupt (INTTC2) is generated, and the counter is cleared. Counting up is resumed after the counter is cleared.

Also, when  $fc$  is selected as the source clock during SLOW mode, the lower 11 bits of TREG2 are ignored and an INTTC2 interrupt is generated by matching the upper 5 bits. Thus, in this case, only the TREG2<sub>H</sub> setting is necessary.

Table 2-4. Source Clock (Internal clock) for Timer/Counter 2

Source Clock				Resolution		Maximum Time Setting	
NORMAL1/2 Modes IDLE1/2 Modes		SLOW Mode	SLEEP Mode	at $fc = 8$ MHz	at $fs = 32.768$ kHz	at $fc = 8$ MHz	at $fs = 32.768$ kHz
DV7CK = 0	DV7CK = 1						
$fc/2^{23}$ [Hz]	$fs/2^{15}$ [Hz]	$fs/2^{15}$ [Hz]	$fs/2^{15}$ [Hz]	1.05 s	1 s	19.1 hour	18.2 hour
$fc/2^{13}$	$fs/2^5$	$fs/2^5$	$fs/2^5$	1.02 ms	1 ms	1.1 min	1 min
$fc/2^8$	$fc/2^8$	–	–	32 $\mu$ s	–	2.1 s	–
$fc/2^3$	$fc/2^3$	–	–	1 $\mu$ s	–	65.5 ms	–
–	–	$fc$ (Note)	–	125 ns	–	7.9 ms	–
$fs$	$fs$	–	–	–	30.5 $\mu$ s	–	2 s

Note: " $fc$ " can be used only in the timer mode.

Example: Sets the timer mode with source clock  $fc/2^3$  [Hz] and generates an interrupt every 25 ms (at  $fc = 8$  MHz).

```
LD      (TC2CR), 00001100B      ; Sets the TC2 mode and source clock.
LDW     (TREG2), 61A8H          ; Sets TREG2 (25 ms ÷ 23/fc = 61A8H).
SET     (EIRH).EF14            ; Enable INTTC2.
EI
LD      (TC2CR), 00101100B      ; Starts TC2.
```

#### (2) Event counter mode

In this mode, events are counted on the rising edge of the TC2 pin input. The contents of TREG2 are compared with the contents of the up-counter. If a match is found, an INTTC2 interrupt is generated, and the counter is cleared. The maximum frequency applied to the TC2 pin is  $fc/2^4$  [Hz] in NORMAL1/2 or IDLE1/2 mode, and  $fs/2^4$  [Hz] in SLOW or SLEEP mode.

Example: Sets the event counter mode and generates an INTTC2 interrupt 640 counts later.

```
LD      (TC2CR), 00011100B      ; Sets the TC2 mode.
LDW     (TREG2), 640            ; Sets TREG2.
SET     (EIRH).EF14            ; Enable INTTC2.
EI
LD      (TC2CR), 00111100B      ; Starts TC2.
```

(3) **Window mode**

In this mode, counting up is performed on the rising edge of the pulse that is the logical AND-ed product of the TC2 pin input (Window pulse) and an internal clock. The internal clock is selected with TC2CK. The contents of TREG2 are compared with the contents of up counter. If a match is found, an INTTC2 interrupt is generated, and the up-counter is cleared to "0". It is necessary that the maximum applied frequency (TC2 input) be such that the counter value can be analyzed by the program. That is, the frequency must be considerably slower than the selected internal clock.

Example: Generate the interrupt the "H" level signal via TC2 pin is more than 120 ms.  
( $f_c = 8 \text{ MHz}$ )

```
LDW      (TREG2), 0078H          ; Set TREG2 ( $120 \text{ ms} \div 2^{13}/f_c = 0078_H$ )
SET      (EIRH).EF14           ; Enable INTTC2
EI
LD       (TC2CR), 00100101B     ; Start TC2
```

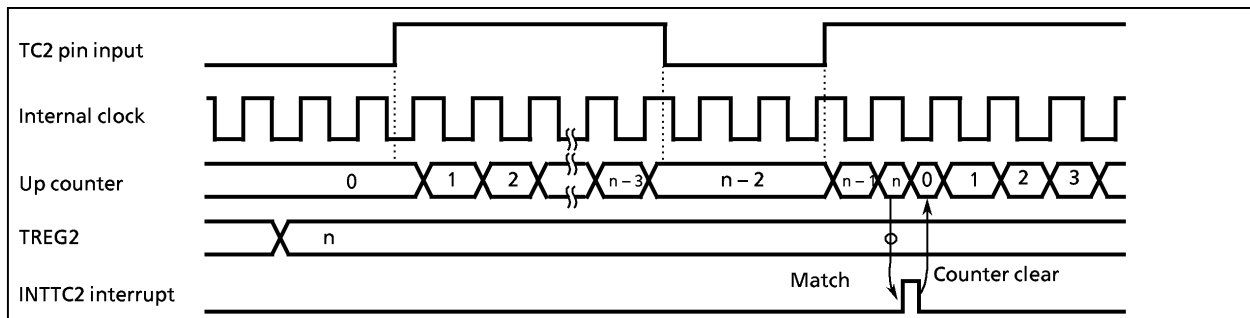


Figure 2-25. Window Mode Timing Chart



### 2.7.2 Control

The timer/counter 3 is controlled by a timer/counter 3 control register (TC3CR) and two 8-bit timer registers (TREG3A and TREG3B). Reset does not affect these timer registers.

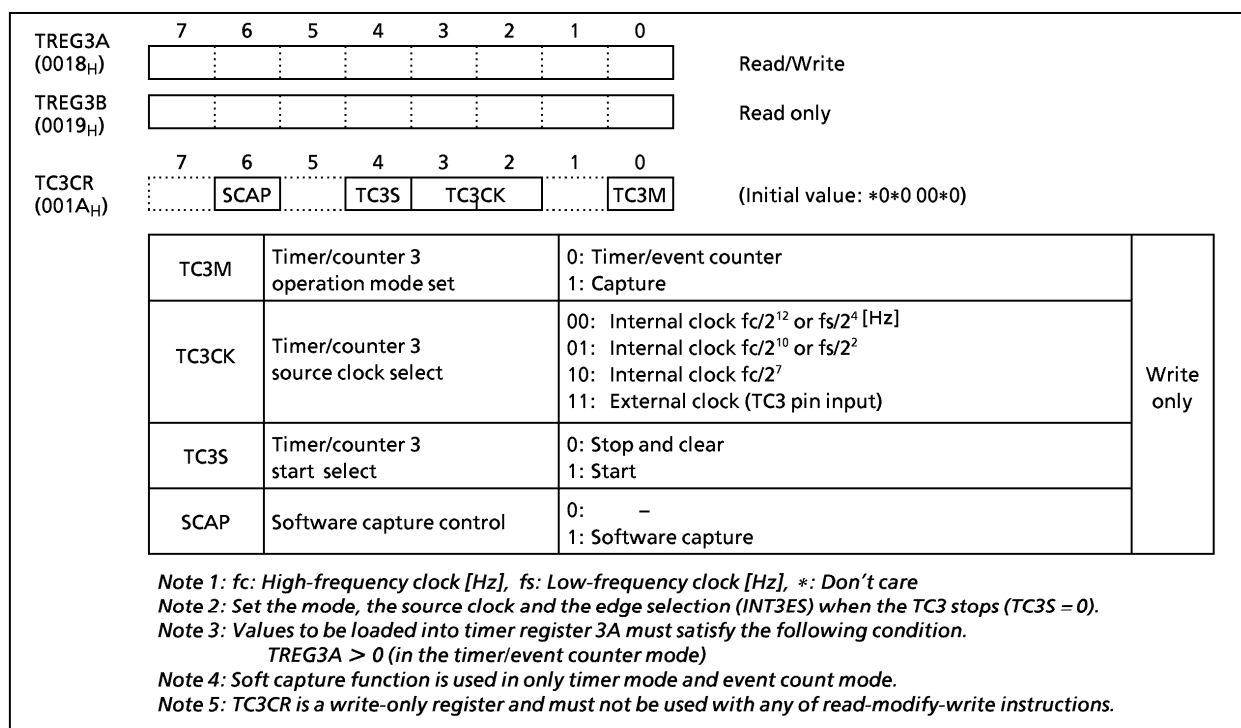


Figure 2-27. Timer Register 3A/3B and TC3 Control Register

### 2.7.3 Function

The timer/counter 3 has three operating modes: timer, event counter, and capture mode.

#### (1) Timer mode

In this mode, the internal clock is used for counting up. The contents of TREG3A are compared with the contents of up counter. If a match is found, a timer/counter 3 interrupt (INTTC3) is generated, and the up counter is cleared. Counting up resumes after the up counter is cleared. The current contents of up counter are loaded into TREG3B by setting SCAP (Bit 6 in TC3CR) to "1". SCAP is automatically cleared after capturing.

Table 2-5. Source Clock (Internal clock) for Timer Counter 3

Source Clock [Hz]		SLOW Modes SLEEP Modes	Resolution [ $\mu$ s]		Maximum Setting Time [ms]	
NORMAL1/2 Modes IDLE1/2 Modes			$fc = 8$ MHz	$fs = 32.768$ kHz	$fc = 8$ MHz	$fs = 32.768$ kHz
DV7CK = 0	DV7CK = 1					
$fc/2^{12}$	$fs/2^4$	$fs/2^4$	512	488.28	131.1	124.5
$fc/2^{10}$	$fs/2^2$	–	128	122.07	32.6	31.1
$fc/2^7$	–	–	16	–	4.1	–

(2) Event counter mode

In this mode, the TC3 pin input pulses are used for counting up. Either the rising or falling edge can be selected with INT3ES (Bit 3 in EINTCR). The contents of TREG3A are compared with the contents of the up counter. If a match is found, an INTTC3 interrupt is generated and the counter is cleared. The maximum applied frequency is  $f_c/2^4$  [Hz] in the NORMAL1/2 or IDLE1/2 mode, and  $f_s/2^4$  [Hz] in SLOW or SLEEP mode. Two or more machine cycles are required for both the "H" and "L" levels of the pulse width.

The current contents of up counter are loaded into TREG3B by setting SCAP (Bit 6 in TC3CR) to "1". SCAP is automatically cleared after capturing.

Example: Generates an interrupt every 0.5 s, inputing 50 Hz pulses to the TC3 pin.

```
LD (TC3CR), 00001100B ; Sets TC3 mode and source clock.
LD (TREG3A), 19H      ; 0.5 s ÷ 1/50 = 25 = 19H
LD (TC3CR), 00011100B ; Start TC3.
```

(3) Capture mode

The pulse width, period and duty of the TC3 pin input are measured in this mode, which can be used in decoding the remote control signals, etc. The counter is free running by the internal clock. On the rising (Falling) edge of the TC3 pin input, the current contents of counter is loaded into TREG3A, then the up counter is cleared and an INTTC3 interrupt is generated. On the falling (Rising) edge of the TC3 pin input, the current contents of the counter is loaded into the TREG3B. In this case, counting continues. At the next rising (Falling) edge of the TC3 pin input, the current contents of counter are loaded into TREG3A, then the counter is cleared again and an interrupt is generated. If the counter overflows before the edge is detected, FF<sub>H</sub> is set to the TREG3A and an overflow interrupt (INTTC3) is generated. During interrupt processing, it can be determined whether or not there is an overflow by checking whether or not the TREG3A value is FF<sub>H</sub>. Also, after an interrupt (Capture to TREG3A, or overflow detection) is generated, capture and overflow detection are halted until TREG3A has been read out; however, the counter continues.

After TREG3A has been read out, capture and overflow detection are resumed, usually, TREG3B is read out first.

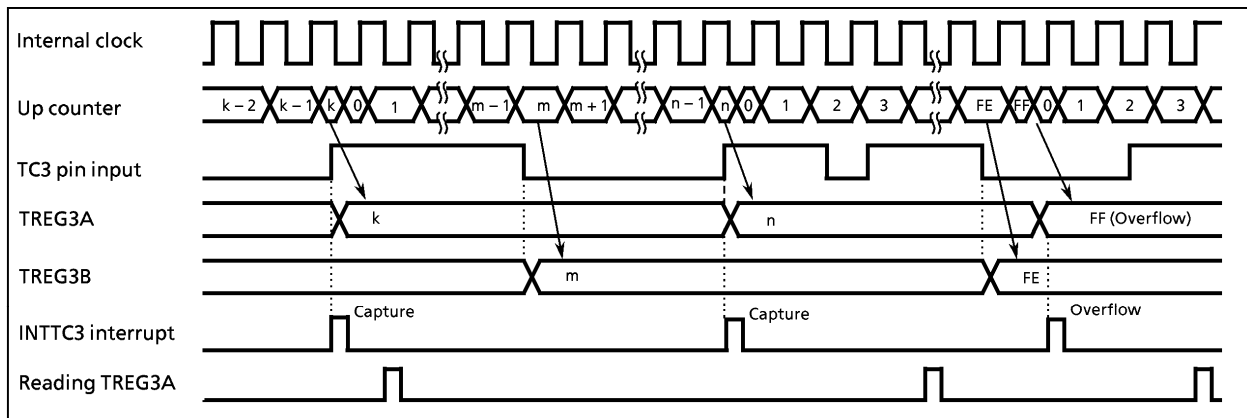


Figure 2-28. Timing Chart for Capture Mode (INT3ES = 0)



2.8 8-Bit Timer/Counter (TC4)

2.8.1 Configuration

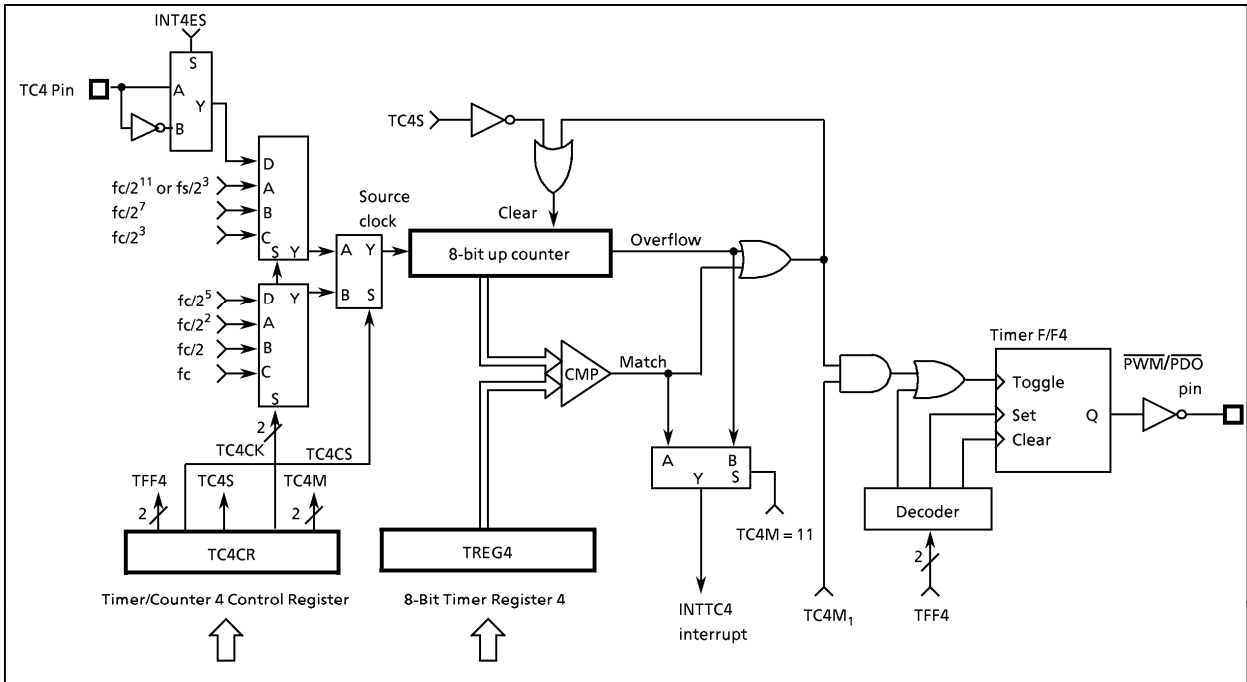


Figure 2-29. Timer/Counter 4

2.8.2 Control

The timer/counter 4 is controlled by a timer/counter 4 control register (TC4CR) and an 8-bit timer register 4 (TREG4). Reset does not affect TREG4.

TREG4 (001B <sub>H</sub> )	7	6	5	4	3	2	1	0	Write only
TC4CR (001C <sub>H</sub> )	7	6	5	4	3	2	1	0	(Initial value: 0000 0000)
	TFF4		TC4CS	TC4S	TC4CK		TC4M		
TC4M	TC4 operating mode select			00: Timer/event counter mode 01: Reserved 10: Programmable divider output (PDO) mode 11: Pulse width modulation (PWM) output mode					Write only
TC4CK	TC4 source clock select			mode A (TC4CS = 0)		mode B (TC4CS = 1)			
				00: $fc/2^{11}$ or $fs/2^3$ 01: $fc/2^7$ 10: $fc/2^3$ 11: External clock (TC4 pin input)		00: $fc/2^5$ 01: $fc/2^2$ 10: $fc/2$ 11: $fc$			
TC4S	TC4 start control			0: Stop and clear 1: Start					
TC4CS	TC4 mode select			0: Mode A 1: Mode B					
TFF4	Timer F/F 4 control			00: Clear 01: Toggle 10: Set 11: – (Note 3)					

*Note 1: fc: High-frequency clock [Hz], fs: Low-frequency clock [Hz], \*: Don't care*

*Note 2: Set the operating mode, the source clock selection, the timer F/F 4 control and the edge selection (INT4ES) when the TC4 stops (TC4S = 0).*

*Note 3: TFF4 must be set to "11" in the timer, event counter modes and B mode.*

*Note 4: Values to be loaded to the timer register must satisfy the following condition.*

*(a) When in PWM output mode,  $5 < TREG4 < 251$*

*(b) When any other mode than PWM output mode,  $0 < TREG4$*

*Note 5: Source clock  $fc/2^2$ ,  $fc/2$ , and  $fc$  cannot be used except in PWM output mode.*

*Note 6: TC4CR and TREG4 are write-only registers and must not be used with any of read-modify-write instructions.*

*Note 7: TFF4 should be clear "00", when TC4S is changed from "1" to "0".*  
 Also  $\overline{PWM/PDO}$  terminal become "High" after changing TC4S from "1" to "0".

Figure 2-30. Timer Register 4 and TC4 Control Register

### 2.8.3 Function

The timer/counter 4 has four operating modes: timer, event counter, programmable divider output, and PWM output mode.

#### (1) Timer mode

In this mode, the internal clock is used for counting up. The contents of TREG4 are compared with the contents of up counter. If a match is found, a timer/counter 4 interrupt (INTTC4) is generated and the up counter is cleared to "0". Counting up resumes after the up counter is cleared.

Table 2-6. Source Clock (Internal Clock) for Timer/Counter 4

Source Clock [Hz]			Resolution [ $\mu$ s]		Maximum Setting Time		
Mode	NORMAL1/2 Modes IDLE1/2 Modes		SLOW Modes SLEEP Modes	fc = 8 MHz	fc = 32.768 kHz	fc = 8 MHz	fc = 32.768 kHz
	DV7CK = 0	DV7CK = 1					
A	$fc/2^{11}$	$fs/2^3$	$fs/2^3$	256	244	65.3 [ms]	62.2 [ms]
	$fc/2^7$	–	–	16	–	4.1 [ms]	–
	$fc/2^3$	–	–	1	–	255 [ $\mu$ s]	–
B	$fc/2^5$	–	–	4	–	1020 [ $\mu$ s]	–

#### (2) Event counter mode

In this mode, the TC4 pin input (External clock) pulse is used for counting up. Either the rising or falling edge can be selected with TC4ES (Bit 4 in EINTCR). The contents of the TREG4 are compared with the contents of the up counter. If a match is found, an INTTC4 interrupt is generated and the counter is cleared. The maximum applied frequency is  $fc/2^4$  [Hz] in NORMAL1/2 or IDLE1/2 mode, and  $fs/2^4$  [Hz] in SLOW or SLEEP mode. Two or more machine cycles are required for both the high and low levels of the pulse width.

#### (3) Programmable divider output (PDO) mode

The internal clock is used for counting up. The contents of TREG4 are compared with the contents of the up-counter. Timer F/F 4 output is toggled and the counter is cleared each time a match is found. Timer F/F 4 output is inverted and output to the  $\overline{PDO}$  (P55) pin. This mode can be used for 50% duty pulse output. Timer F/F 4 can be initialized by program, and it is initialized to "0" during reset. An INTTC4 interrupt is generated each time the  $\overline{PDO}$  output is toggled.

Example: Output a 1024 Hz pulse (at  $fc = 4.194304$  MHz)

```
LD      (TC4CR), 00000010B      ; Initializes the TC4 mode, source clock and timer F/F 4.
LD      (TREG4), 10H           ; (1/1024 ÷ 27/fc) ÷ 2 = 10H
LD      (TC4CR), 00010010B      ; Starts TC4
```

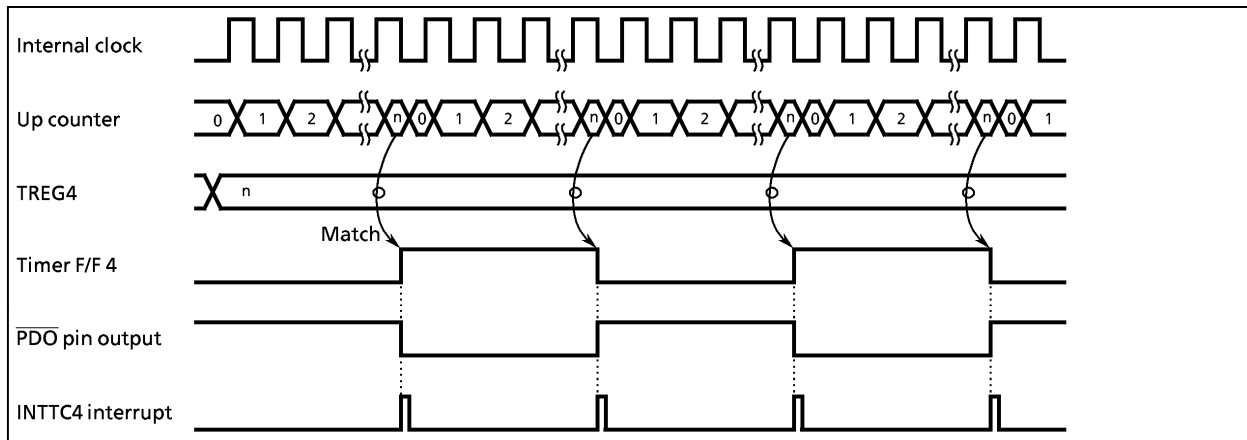


Figure 2-31. Timing Chart for PDO Mode

**(4) Pulse width modulation (PWM) output mode**

PWM output with a resolution of 8 bits is possible. The internal clock is used for counting up. The contents of TREG4 are compared with the contents of up-counter. If a match is found, the timer F/F 4 output is toggled. The counter continues counting. And, when an overflow occurs, the timer F/F 4 output is again toggled and the counter is cleared. Timer F/F 4 output is inverted and output to the PWM (P55) pin. An INTTC4 interrupt is generated when an overflow occurs.

TREG4 is configured a 2-stage shift register and, during output, will not switch until one output cycle is completed even if TREG4 is overwritten; therefore, output can be altered continuously. Also, the first time, TREG4 is shifted by setting TC4S (Bit 4 in TC4CR) to "1" after data are loaded to TREG4.

*Note 1: Do not overwrite TREG4 only when an INTTC4 interrupt is generated. Usually, TREG4 is overwritten in the routine of INTTC4 interrupt service.*

*Note 2: PWM output mode can be used only in the NORMAL1/2, and IDLE1/2 mode.*

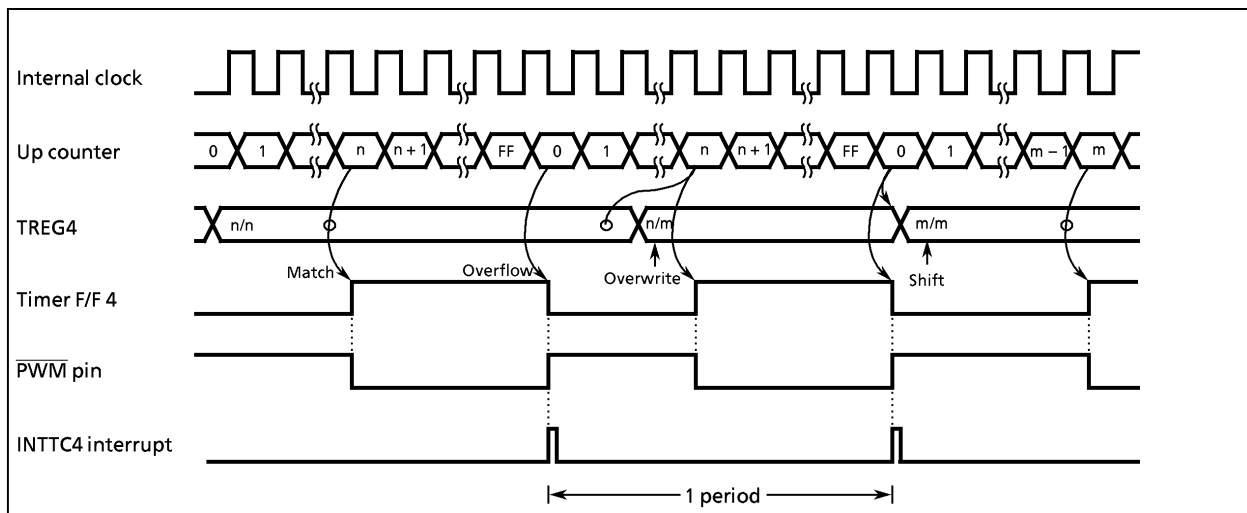


Figure 2-32 (a). Timing Chart for PWM Mode

Table 2-7. PWM Output Mode

Source Clock [Hz]			Resolution		Repeat Cycle		
Mode	NORMAL1/2 Modes IDLE1/2 Modes		SLOW Modes SLEEP Modes	at $f_c = 8$ MHz	at $f_s = 32.768$ kHz	at $f_c = 8$ MHz	at $f_s = 32.768$ kHz
	DV7CK = 0	DV7CK = 1					
A	$f_c/2^{11}$	$f_s/2^3$	$f_s/2^3$	256 $\mu s$	244.14 $\mu s$	65.3 ms	62.2 ms
	$f_c/2^7$	–	–	16 $\mu s$	–	4.1 ms	–
	$f_c/2^3$	–	–	1 $\mu s$	–	255 $\mu s$	–
B	$f_c/2^5$	–	–	4 $\mu s$	–	1024 $\mu s$	–
	$f_c/2^2$	–	–	500 ns	–	128 $\mu s$	–
	$f_c/2$	–	–	250 ns	–	64 $\mu s$	–
	$f_c$	–	–	125 ns	–	32 $\mu s$	–

**2.9 Serial Bus Interface (SBI-ver. B)**

The TMP87CH48/CM48 have a 1-channel serial bus interface which employs a clocked-synchronous 8-bit serial bus interface and an I<sup>2</sup>C bus. (a bus system by philips)

The serial bus interface is connected to an external device through P42 (SDA) and P41 (SCL) in the I<sup>2</sup>C bus mode; and through P40 (SCK), P42 (SO), and P41 (SI) in the clocked-synchronous 8-bit SIO mode.

The serial bus interface pins are also used as the P4 port. When used for serial bus interface pins, set the P4 output latches of these pins to "1". When not used as serial bus interface pins, the P4 port is used as a normal I/O port.

**2.9.1 Configuration**

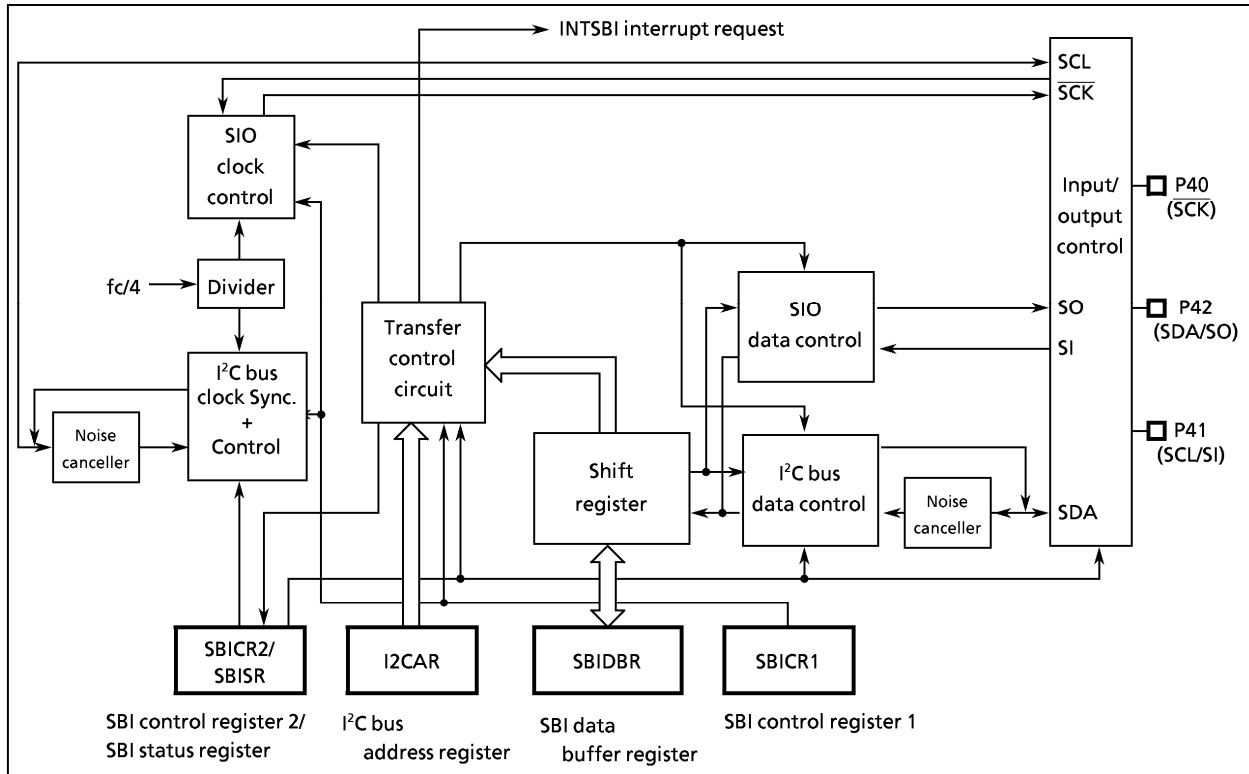


Figure 2-32 (b). Serial Bus Interface (SBI-ver. B)

### 2.9.2 Serial Bus Interface (SBI-ver. B) Control

The following registers are used for control and operation status monitoring when using the serial bus interface (SBI-ver. B).

- Serial bus interface control register 1 (SBICR1)
- Serial bus interface control register 2 (SBICR2)
- Serial bus interface data buffer register (SBIDBR)
- I<sup>2</sup>C bus address register (I2CAR)
- Serial bus interface status register (SBISR)

The above registers differ depending on a mode to be used.

Refer to Section "2.9.4 I<sup>2</sup>C bus Mode Control" and "2.9.6 Clocked-synchronous 8-bit SIO Mode Control".

### 2.9.3 The Data Formats in the I<sup>2</sup>C Bus Mode

The data formats in the I<sup>2</sup>C bus mode are shown below.

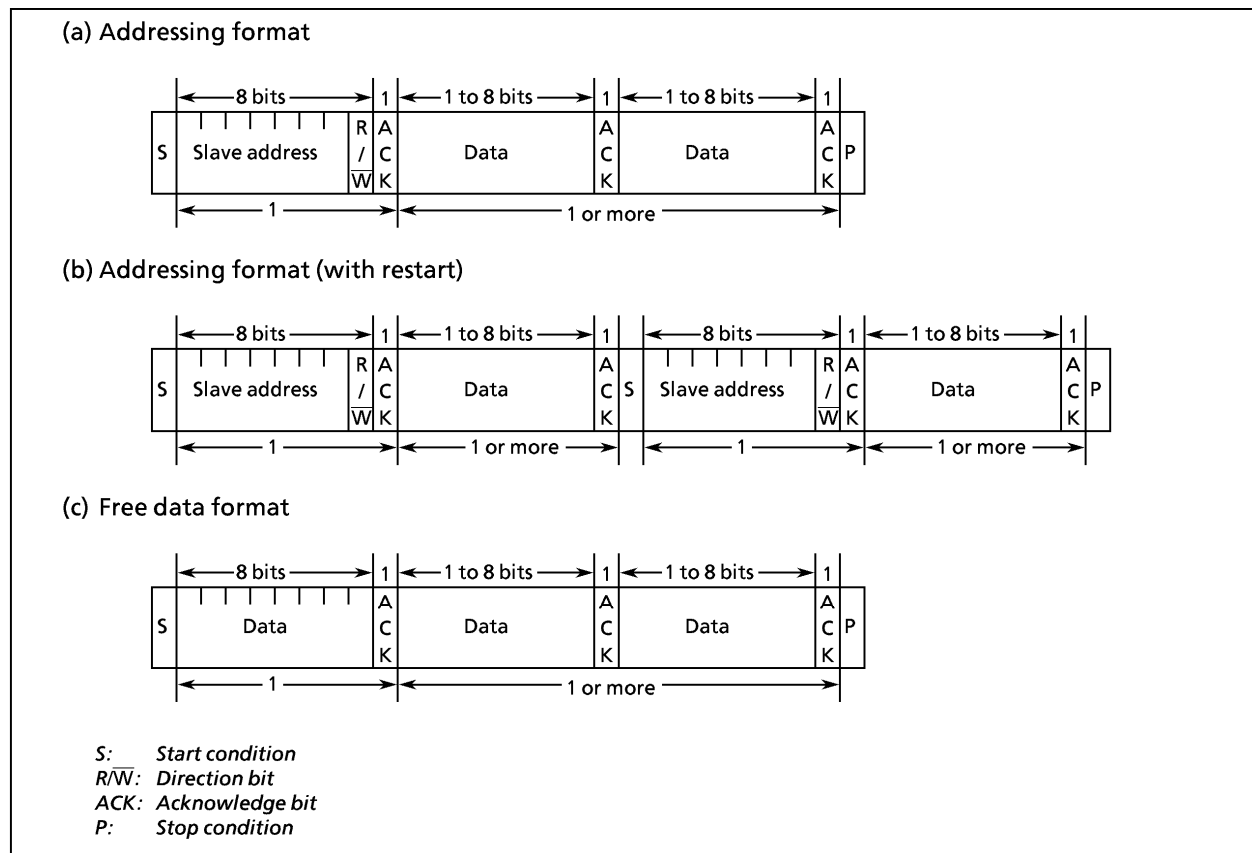


Figure 2-33. Data Format at I<sup>2</sup>C Bus Mode

### 2.9.4 I<sup>2</sup>C Bus Mode Control

The following registers are used for control the serial bus interface (SBI-ver. B) and monitor the operation status in the I<sup>2</sup>C bus mode.

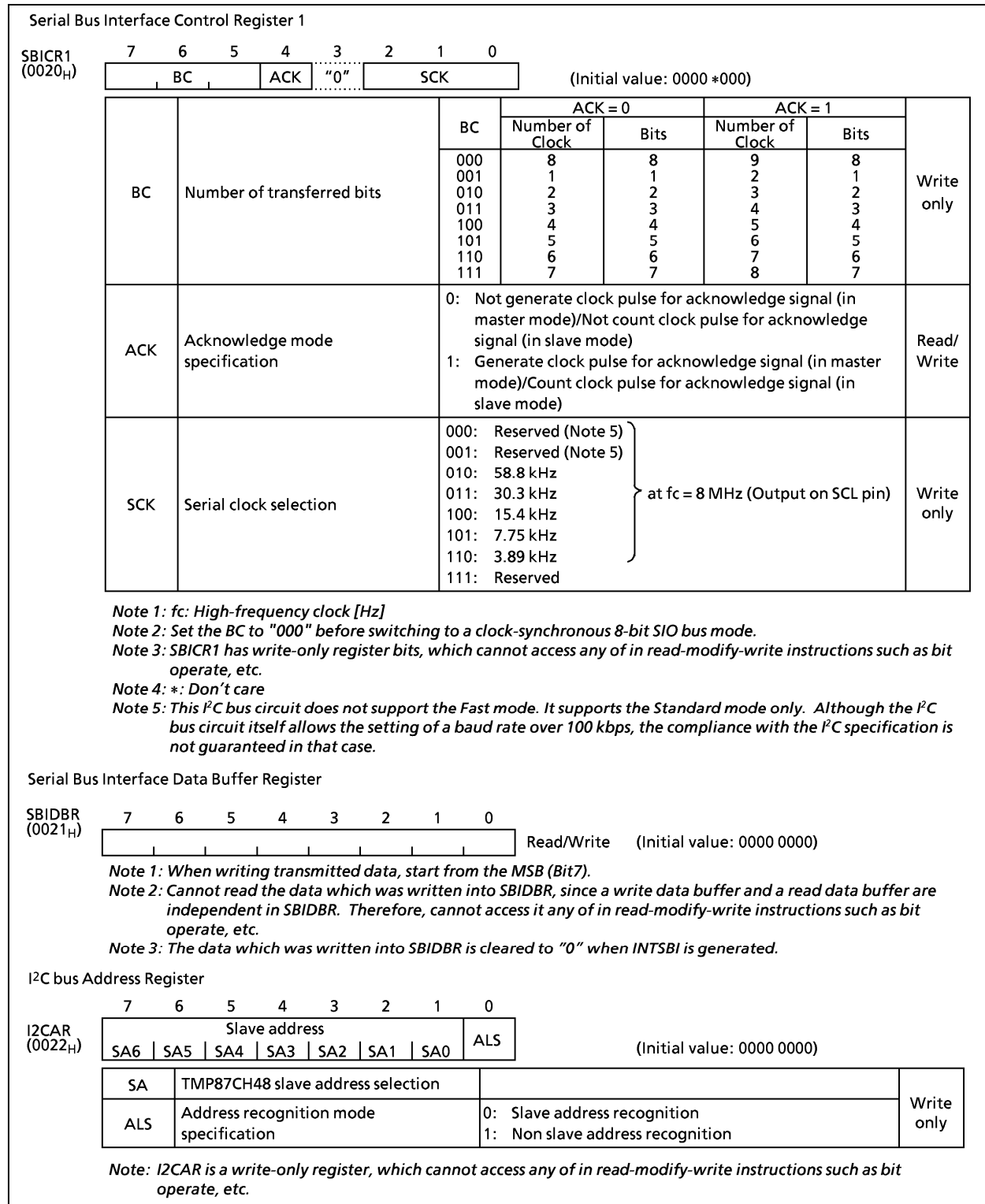


Figure 2-34. Serial Bus Interface Control Register 1/Serial Bus Interface Data Buffer Register/ I<sup>2</sup>C Bus Address Register in the I<sup>2</sup>C Bus Mode



Serial Bus Interface Control Register 2									
SBICR2 (0023 <sub>H</sub> )									
7	6	5	4	3	2	1	0		
MST	TRX	BB	PIN	SBIM	"0"		"0"	(Initial value: 0001 00**)	
MST	Master/slave selection				0: Slave 1: Master		Write only		
TRX	Transmitter/receiver selection				0: Receiver 1: Transmitter				
BB	Start/stop generation				0: Generate the stop condition when the MST, TRX, and PIN are "1". 1: Generate the start condition when the MST, TRX, and PIN are "1".				
PIN	Cancel interrupt service request				0: – (Cannot be cleared to "0") 1: Cancel interrupt service request				
SBIM	Serial bus interface operating mode selection				00: Port mode (serial bus interface output disable) 01: SIO mode 10: I <sup>2</sup> C bus mode 11: Reserved				
<p><i>Note 1: *: Don't care</i></p> <p><i>Note 2: Switch a mode to port mode after confirming that the bus is free.</i></p> <p><i>Note 3: Switch a mode to I2Cbus mode after confirming that input signals via port are high level.</i></p> <p><i>Note 4: SBICR2 has write-only register bits, which cannot access any of in read-modify-write instructions such as bit operate, etc.</i></p> <p><i>Note 5: Write "0" to bit 1, 0 in the SBICR2.</i></p>									
Serial Bus Interface Status Register									
SBISR (0023 <sub>H</sub> )									
7	6	5	4	3	2	1	0		
MST	TRX	BB	PIN	AL	AAS	AD0	LRB	(Initial value: 0001 0000)	
MST	Master/slave status monitor				0: Slave 1: Master		Read only		
TRX	Transmitter/receiver status monitor				0: Receiver 1: Transmitter				
BB	I <sup>2</sup> C bus status monitor				0: Bus free 1: Bus busy				
PIN	Interrupt service request status monitor				0: INTSBI occurs 1: INTSBI does not occur				
AL	Arbitration loss detection monitor				0: Arbitration loss undetected 1: Arbitration loss detected				
AAS	Slave address match detection monitor				0: Slave address unmatched or "GENERAL CALL" undetected 1: Slave address match or "GENERAL CALL" detected				
AD0	"GENERAL CALL" detection monitor				0: "GENERAL CALL" undetected 1: "GENERAL CALL" detected				
LRB	Last received bit monitor				0: Last received bit "0" 1: Last received bit "1"				

Figure 2-35. Serial Bus interface Control Register 2/Serial Bus interface status register in the I<sup>2</sup>C Bus Mode

(1) **Acknowledge mode specification**

Set the ACK (Bit 4 in SBICR1) to "1" for operation in the acknowledge mode. The TMP87CH48/CM48 generate an additional clock pulse for an acknowledge signal when operating in the master mode. In the transmitter mode during the clock pulse cycle, the SDA pin is released in order to receive the acknowledge signal from the receiver. In the receiver mode during the clock pulse cycle, the SDA pin is set to the low level in order to generate the acknowledge signal.

Reset the ACK for operation in the non-acknowledge mode. The TMP87CH48/CM48 don't generate a clock pulse for the acknowledge signal when operating in the master mode.

In the acknowledge mode, the TMP87CH48/CM48 count a clock pulse for the acknowledge signal when operating in the slave mode. During the clock pulse, when the received slave address is the same as the value set at the I2CAR or when a GENERAL CALL is received, the SDA pin is set to the low level in order to generate the acknowledge signal.

In the transmitter mode during the clock pulse cycle after matching the slave addresses or receiving a GENERAL CALL, the SDA pin is released in order to receive the acknowledge signal from the receiver. In the receiver mode during the clock pulse cycle, the SDA pin is set to the low level in order to generate the acknowledge signal.

In non-acknowledge mode, the TMP87CH48/CM48 don't count a clock pulse for the acknowledge signal when operating in the slave mode.

(2) **Number of transfer bits**

The BC (Bits 7 to 5 in the SBICR1) is used to select a number of bits for next transmitting and receiving data.

Since the BC is cleared to "000" as a start condition, a slave address and direction bit transmissions are executed in 8 bits. Other than these, the BC retains a specified value.

(3) **Serial clock**

a. Clock source

The SCK (Bits 2 to 0 in the SBICR1) is used to select a maximum transfer frequency outputted on the SCL pin in the master mode. Set a communication baud rate that meets the I<sup>2</sup>C bus specification, such as the shortest pulse width of t<sub>LOW</sub>, based on the equations shown below.

In both master mode and slave mode, a pulse width of at least 4 machine cycles is require for both high and low levels.

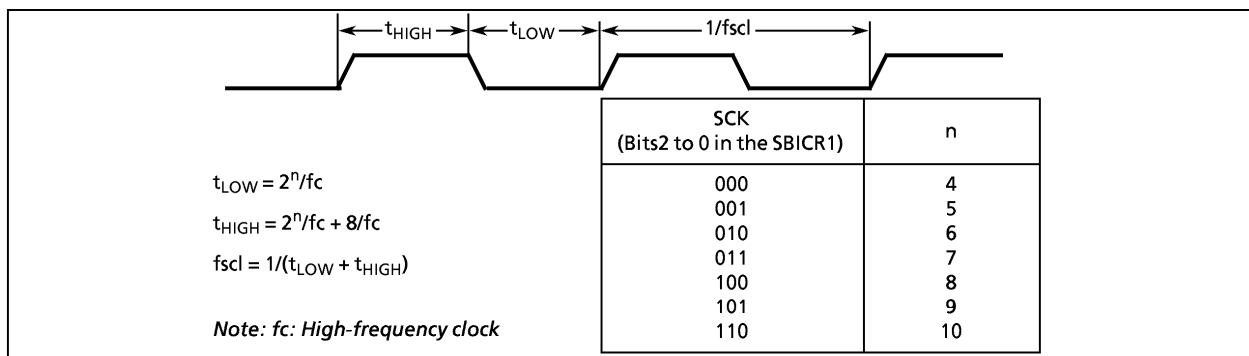


Figure 2-36. Clock Source

b. Clock synchronization

In the I<sup>2</sup>C bus mode, in order to drive a bus with a wired-AND, a master device which pulls down a clock line to low-level, in the first place, invalidate a clock pulse of another master device which generates a high-level clock pulse. The master device with a high-level clock pulse needs to detect the situation and implement the following procedure.

The TMP87CH48 have a clock synchronization function for normal data transfer even when more than one master exists on a bus.

The example explains clock synchronization procedures when two masters simultaneously exist on a bus.

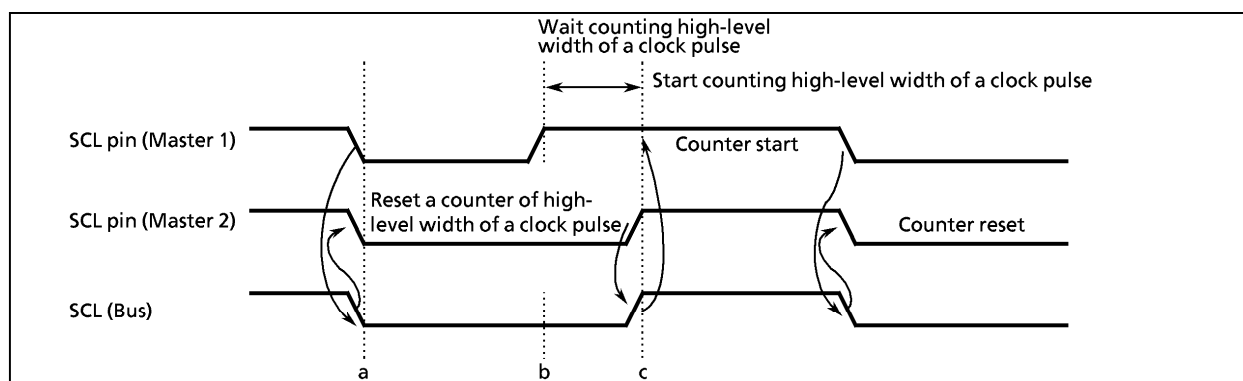


Figure 2-37. Clock Synchronization

As Master 1 pulls down the SCL pin to the low level at point "a", the SCL line of the bus becomes the low level. After detecting this situation, Master 2 resets counting a clock pulse in the high level and sets the SCL pin to the low-level.

Master 1 finishes counting a clock pulse in the low level at point "b" and sets the SCL pin to the high level. Since Master 2 holds the SCL line of the bus at the low-level, Master 1 waits for counting a clock pulse in the high level. After Master 2 sets a clock pulse to the high level at point "c" and detects the SCL line of the bus at the high-level, Master 1 starts counting a clock pulse in the high level.

The clock pulse on the bus is determined by the master device with the shortest high-level period and the master device with the longest low-level period from among those master devices connected to the bus.

(4) **Slave address and address recognition mode specification**

When the serial bus interface circuit is used with an addressing format to recognize the slave address, clear the ALS (Bit 0 in I2CAR) to "0", and set the SA (Bits 7 to 1 in I2CAR) to the slave address. When the serial bus interface circuit is used with a free data format not to recognize the slave address, set the ALS to "1". With a free data format, the slave address and the direction bit are not recognized, and they are processed as data from immediately after start condition.

(5) **Master/slave selection**

Set the MST (Bit 7 in SBICR2) to "1" for operating the TMP87CH48/CM48 as a masterdevice. Reset the MST to "0" for operation as a slave device. The MST is cleared to "0" by the hardware after a stop condition on a bus is detected or arbitration lost is detected.

(6) **Transmitter/receiver selection**

Set the TRX (Bit 6 in SBICR2) to "1" for operating the TMP87CH48/CM48 as a transmitter. Reset the TRX for operation as a receiver. When data with an addressing format is transferred in the slave mode, the TRX is set to "1" if the direction bit ( $R/\overline{W}$ ) sent from the master device is "1", and is cleared to "0" if the bit is "0". In the master mode, after an acknowledge signal is returned from the slave device with the hardware, the TRX is set to "0" if a transmitted direction bit is "1", and set to "1" if it is "0". When an acknowledge signal is not returned, the current condition is maintained. The TRX is cleared to "0" by the hardware after a stop condition on the bus is detected or arbitration is lost.

The following table shows TRX changing conditions and TRX value after changing.

Mode	Direction Bit	Conditions	TRX after Changing
Slave mode	0	When the received slave address is the same as I2CAR	0
	1		1
Master mode	0	When the ACK signal is returned	1
	1		0

When the serial bus interface circuit is used with a free data format, the TRX is not changed by hardware since the slave address and the direction bit are not recognized, and they are processed as data from immediately after start condition.

**(7) Start/stop condition generation**

A start condition and 8-bit data are output on the bus by writing "1" to the MST, TRX and BB when the BB (Bit 5 in SBICR2) is "0". It is necessary to set the transmitting data to the data buffer register and "1" to ACK beforehand.

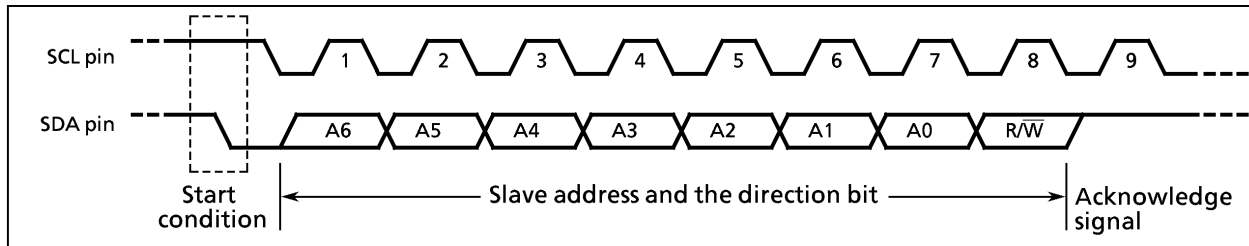


Figure 2-38. Start Condition Generation and Slave Address Generation

When the BB is "1", a sequence of generating a stop condition is started by writing "1" to the MST, TRX, and PIN, and "0" to the BB.

Do not modify the contents of MST, TRX, BB and PIN until a stop condition is generated on a bus.

*Note: When a stop condition is generated and bus SCL line is set to Low level by the other devices, a stop condition is not started normally. Write "1" to the MST, TRX, and PIN, and "0" to the BB to generate a stop condition after releasing the SCL line.*

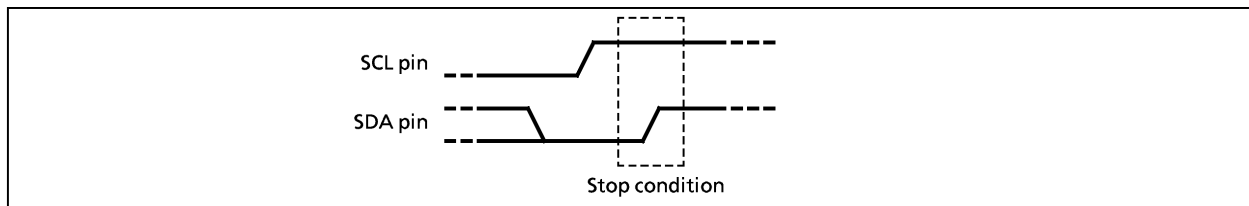


Figure 2-39. Stop Condition Generation

*Note: When a stop condition is generated, a time to rise the SCL line should not exceed  $tr = 2^n/fc - 3.5 \times 4/fc$  (s). ( $n$  depends on the SCK) If the rising time of the SCL line exceeds the above value, there is a probability that a stop condition is not started normally.*

SCK	n	tr (Max fc = 8 MHz)	tr (Max fc = 4 MHz)
000	4	0.25 $\mu$ s	0.50 $\mu$ s
001	5	2.25 $\mu$ s	4.50 $\mu$ s
010	6	6.25 $\mu$ s	12.5 $\mu$ s
011	7	14.2 $\mu$ s	28.5 $\mu$ s
100	8	30.2 $\mu$ s	60.5 $\mu$ s
101	9	62.5 $\mu$ s	124.5 $\mu$ s
110	10	126.25 $\mu$ s	252.5 $\mu$ s

*fc: High frequency [ Hz ]*

The bus condition can be indicated by reading the contents of the BB (Bit 5 in the SBISR). The BB is set to "1" when a start condition on a bus is detected, and is cleared to "0" when a stop condition is detected on a bus.

**(8) Interrupt service request cancel**

In the master mode, a serial bus interface interrupt request (INTSBI) occurs after the number of clocks which is specified by the BC and ACK has been transmitted.

In the slave mode, when the received slave address is the same as the value set at the I2CAR, after outputting the acknowledge signal when a GENERAL CALL is received, or when data transfer is complete after matching the slave addresses or receiving a GENERAL CALL, an INTSBI interrupt request occurs.

When a serial bus interface interrupt request occurs, the PIN (Bit 4 in SBISR) is cleared to "0". During the time that the PIN is "0", the SCL pin is pulled down to the low level.

Either writing/reading data to/from the SBIDBR sets the PIN to "1".

The time from the PIN being set to "1" until the SCL pin is released takes  $t_{LOW}$ .

Although the PIN (Bit 4 in SBICR2) can be set to "1" by the program, the PIN is not set to "0" when "0" is written.

**(9) Serial bus interface operating mode**

The SBIM (Bits 3, 2 in SBICR2) is used to specify the serial bus interface operation mode. Set the SBIM to "10" after confirming that the serial bus interface pin is set to high level when used in the I<sup>2</sup>C bus mode.

Switch a mode to port after making sure that a bus is free.

**(10) Arbitration lost detection monitor**

Since more than one master device can exist simultaneously on a bus in the I<sup>2</sup>C bus mode, a bus arbitration procedure is implemented in order to guarantee the contents of transferred data.

Data on the SDA line is used for bus arbitration of the I<sup>2</sup>C bus.

The following shows an example of a bus arbitration procedure when two master devices exist simultaneously on the bus. Master 1 and Master 2 output the same data until point "a". After Master 1 outputs "1" and Master 2, "0", the SDA line of the bus is wired AND and the SDA line is pulled down to the low level by Master 2. When the SCL line of the bus is pulled up at point "b", the slave device reads data on the SDA line, that is, data in Master 2. Data transmitted from Master 1 becomes invalid. The state in Master 1 is called "arbitration lost". A master device which loses arbitration releases the SDA pin and the SCL pin in order not to effect data transmitted from other masters with arbitration. When more than one master sends the same data at the first word, arbitration occurs continuously after the second word.

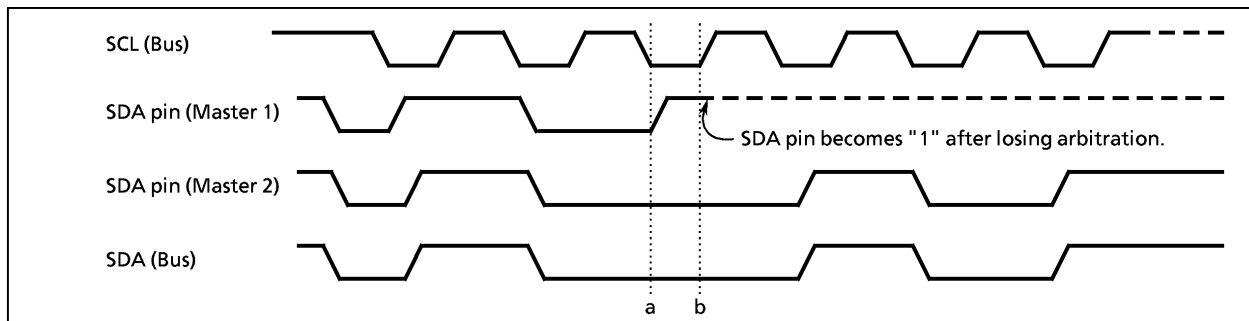


Figure 2-40. Arbitration Lost

The TMP87CH48/CM48 compare levels of the SDA line of the bus with those of the TMP87CH48/CM48 SDA pin at the rising edge of the SCL line. If the levels are unmatched, arbitration is lost and the AL (bit 3 in SBISR) is set to "1".

When the AL is set to "1", the MST and TRX are reset to "0" and the mode is switched to a slave receiver mode.

The AL is reset to "0" by writing/reading data to/from the SBIDBR or writing data to the SBICR2.

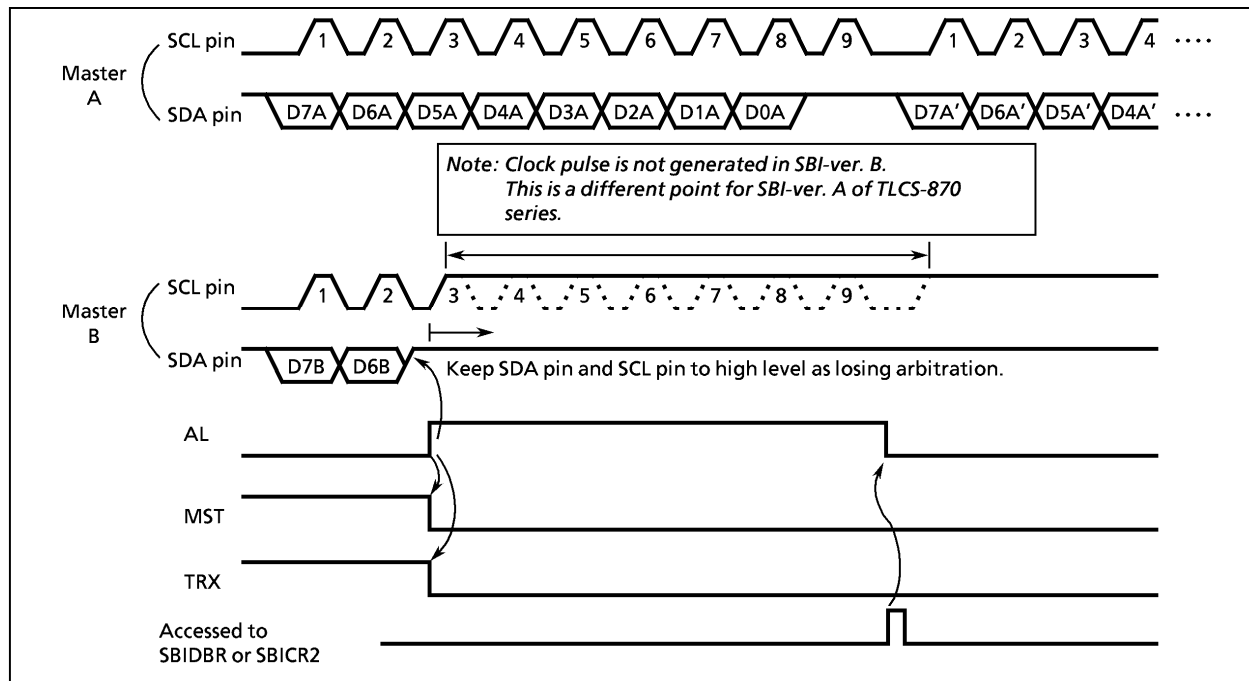


Figure 2-41. Example of Arbitration Lost of when TMP87CH48/CM48 are a Master Device B

(11) **Slave address match detection monitor**

The AAS (Bit 2 in the SBISR) is set to "1" in the slave mode, in the address recognition mode (ALS = 0), when receiving GENERAL CALL or a slave address with the same value that is set to the I2CAR. When the ALS is "1", the AAS is set to "1" after receiving the first 1-word of data. The AAS is cleared to "0" by after writing/reading data to/from a data buffer register.

(12) **General call detection monitor**

The ADO (Bit 1 in SBISR) is set to "1" in the slave mode, when all 8-bit data received immediately after a start condition are "0". The ADO is cleared to "0" when a start or stop condition is detected on the bus.

(13) **Last received bit monitor**

The SDA value stored at the rising edge of the SCL line is set to the LRB (Bit 0 in SBISR). When the contents of the LRB are read immediately after an INTSBI interrupt request is generated in the acknowledge mode, and ACK signal is read.

## 2.9.5 Data Transfer in I<sup>2</sup>C Bus Mode

### (1) Device initialization

First, set the ACK in the SBICR1 to "1", the BC to "000", and the data length to 8-bit to count a clock pulse for the acknowledge signal. In addition, set the transmit frequency to the SCK.

Next, set the slave address to the SA in the I2CAR. Clear the ALS to "0" to set the addressing format.

After confirming that the serial bus interface pin is high level, for specifying the default setting to a slave receiver mode, clear "0" to the MST, TRX, and BB in the SBICR2; "1" to the PIN; "10" to the SBIM; and "0" to bits 1 and 0.

*Note: To initialize the serial bus interface circuit, a constant period that the start conditions are not generated for any device is required after all devices which are connected to the bus are initialized. Then, the initialization must be completed during the period. If not, other devices may start transmitting data before the serial bus interface circuit has been initialized. Thus, data can not be normally received.*

### (2) Start condition and slave address generation

Confirm a bus free status (when BB = 0).

Set the ACK to "1" and specify a slave address and a direction bit to be transmitted to the SBIDBR.

When the BB is "0", the start condition are generated and the slave address and the direction bit which are set to the SBIDBR are output on a bus by writing "1" to the MST, TRX, BB, and PIN. An INTSBI interrupt request occurs at the 9th falling edge of the SCL clock cycle, and the PIN is cleared to "0". The SCL pin is pulled down to the low level while the PIN is "0". When an interrupt request occurs, the TRX changes by the hardware according to the direction bit only when an acknowledge signal is returned from the slave device.

*Note 1: The slave address to be output to the SBIDBR must be set after the bus free is detected by software. If setting of the slave address is executed before detection bus free, the current output data may be corrupted.*

*Note 2: The bus free must be confirmed by software within 98.0  $\mu$ s (The shortest transmitting time according to the I<sup>2</sup>C bus standard) after setting of the slave address to be output. Only when the bus free is confirmed, set "1" to the MST, TRX, BB, and PIN to generate the start conditions. If the start conditions are generated without writing "1" to them, transferring may be executed by other masters between the time when the slave address to be output to the SBIDBR is written and the time when "1" is written to the MST, TRX, BB, and PIN in the SBICR2. Thus, the slave address may be corrupted.*

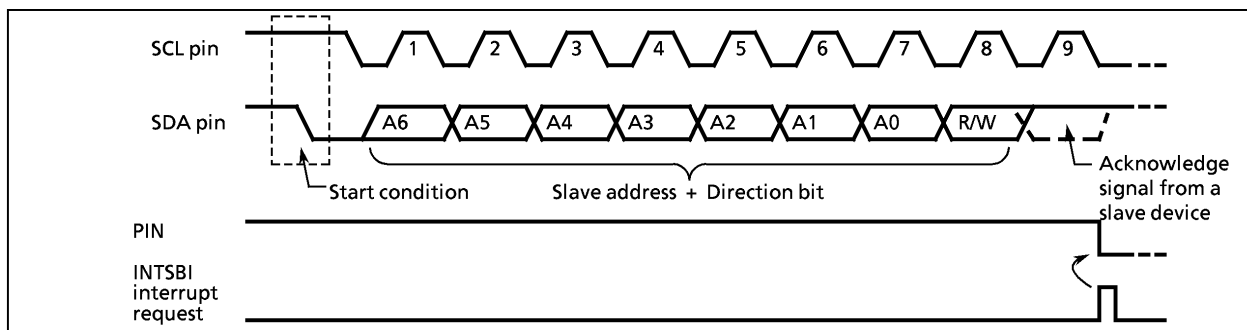


Figure 2-42. Start Condition Generation and Slave Address Transfer

### (3) 1-word data transfer

Check the MST by the INTSBI interrupt process after a 1-word data transfer is completed, and determine whether the mode is a master or slave.

a. When the MST is "1" (Master mode)

Check the TRX and determine whether the mode is a transmitter or receiver.

① When the TRX is "1" (Transmitter mode)

Check the LRB. When the LRB is "1", a receiver does not request data. Implement the process to generate a stop condition (Refer to 2.9.5. (4)) and terminate data transfer.

When the LRB is "0", the receiver requests new data. When the next transmitted data is other than 8 bits, set the BC and write the transmitted data to the SBIDBR. After writing the data, the PIN becomes "1", a serial clock pulse is generated for transferring a new 1-word of data from the SCL pin, and then the 1-word data is transmitted. After the data is transmitted, an INTSBI interrupt request occurs. The PIN becomes "0" and the SCL pin is pulled down to the low-level. If the data to be transferred is more than one word in length, repeat the procedure from the LRB checking above.

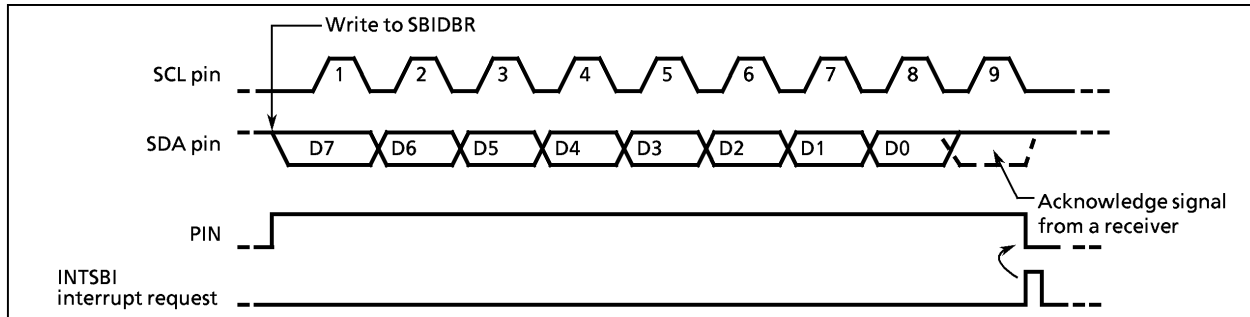


Figure 2-43. Example when BC = "000", ACK = "1" in Transmitter Mode

② When the TRX is "0" (Receiver mode)

When the next transmitted data is other than 8 bits, set the BC again. Set the ACK to "1" and read the received data from the SBIDBR. (Data which is read immediately after a slave address is sent is undefined.) After the data is read, the PIN becomes "1". The TMP87CH48/CM48 output a serial clock pulse to the SCL to transfer new 1-word of data and sets the SDA pin to "0" at the acknowledge signal timing.

An INTSBI interrupt request then occurs and the PIN becomes "0". Then the TMP87CH48/CM48 pull down the SCL pin to the low level. The TMP87CH48/CM48 output a clock pulse for 1-word of data transfer and the acknowledge signal each time that received data is read from the SBIDBR.

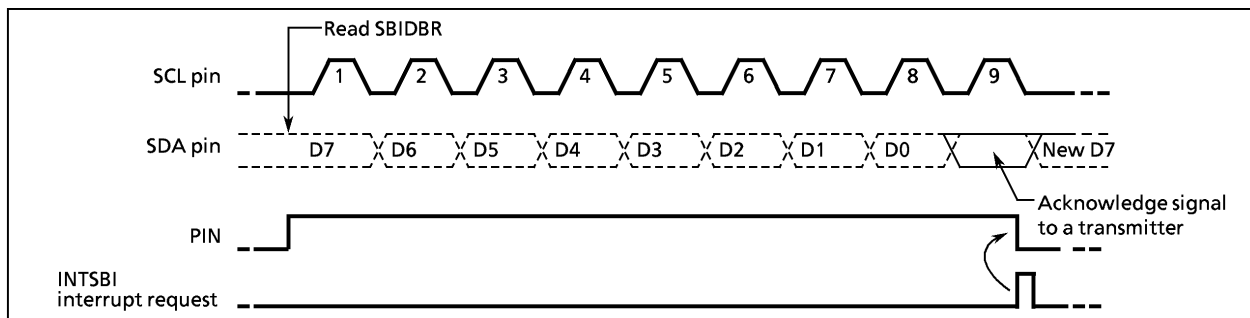


Figure 2-44. Example of when BC = "000", ACK = "1" in Receiver Mode

In order to terminate transmitting data to a transmitter, clear the ACK to "0" before reading data which is 1 word before the last data to be received. The last data does not generate a clock pulse for the acknowledge signal. After the data is transmitted and an interrupt request has occurred, set the BC to "001" and read the data. The TMP87CH48/CM48 generate a clock pulse for a 1-bit data transfer. Since the master device is a receiver, the SDA line of the bus keeps the high level. The transmitter receives the high-level signal as an ACK signal. The receiver indicates to the transmitter that data transfer is complete.

After 1-bit data is received and an interrupt request has occurred, the TMP87CH48/CM48 generate a stop condition (Refer to 2.9.5 (4)) and terminates data transfer.



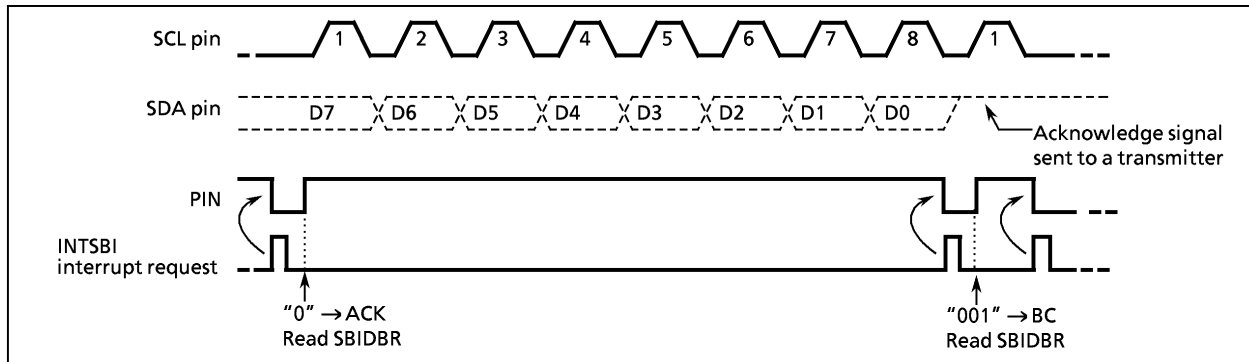


Figure 2-45. Termination of Data Transfer in Master Receiver Mode

b. When the MST is "0" (Slave mode)

In the slave mode, the TMP87CH48/CM48 operate either in normal slave mode or in slave mode after losing arbitration.

In the slave mode, an INTSBI interrupt request occurs when the TMP87CH48/CM48 receive a slave address or a GENERAL CALL from the master device, or when a GENERAL CALL is received and data transfer is complete after matching a received slave address. In the master mode, the TMP87CH48/CM48 operate in a slave mode if it is losing arbitration. An INTSBI interrupt request occurs when word data transfer terminates after losing arbitration. When an INTSBI interrupt request occurs, the PIN (Bit 4 in the SBICR2) is reset, and the SCL pin is pulled down to the low level. Either reading/writing from/to the SBIDBR or setting the PIN to "1" releases the SCL pin after taking  $t_{LOW}$  time.

Check the AL (Bit 3 in the SBISR), the TRX (Bit 6 in the SBISR), the AAS (Bit 2 in the SBISR), and the AD0 (Bit 1 in the SBISR) and implements processes according to conditions listed in the next table.

Table 2-12. Operation in the Slave Mode

TRX	AL	AAS	AD0	Conditions	Process	
1	1	1	0	The TMP87CH48/CM48 lose arbitration when transmitting a slave address and receives a slave address of which the value of the direction bit sent from another master is "1".	Set the number of bits in 1 word to the BC and write transmitted data to the SBIDBR.	
				In the slave receiver mode, the TMP87CH48/CM48 receive a slave address of which the value of the direction bit sent from the master is "1".		
				In the slave transmitter mode, 1-word data is transmitted.		
0	1	1	1/0	The TMP87CH48/CM48 lose arbitration when transmitting a slave address and receives a slave address or GENERAL CALL of which the value of the direction bit sent from another master is "0".	Read the SBIDBR for setting the PIN to "1" (Reading dummy data) or write "1" to the PIN.	
				The TMP87CH48/CM48 lose arbitration when transmitting a slave address or data and terminates transferring word data.		
			0	0		In the slave receiver mode, the TMP87CH48/CM48 receive a slave address or GENERAL CALL of which the value of the direction bit sent from the master is "0".
				1/0		In the slave receiver mode, the TMP87CH48/CM48 terminate receiving of 1-word data.

(4) Stop condition generation

When a stop condition is generated and a bus SCL line is set to low level by the other devices, a stop condition is not started normally.

Write "1" to the MST, TRX, and PIN, and "0" to the BB to generate a stop condition after releasing the SCL line.

*Note: When a stop condition is generated, a time to rise the SCL line should not exceed  $tr = 2^n/fc - 3.5 \times 4/fc$  (2). (n depends on the SCK.)  
If the rising time of the SCL line exceeds the above value, there is a probability that a stop condition is not started normally.*

SCK	n	tr (Max fc = 8 MHz)	tr (Max fc = 4 MHz)
000	4	0.25 $\mu s$	0.50 $\mu s$
001	5	2.25 $\mu s$	4.50 $\mu s$
010	6	6.25 $\mu s$	12.5 $\mu s$
011	7	14.2 $\mu s$	28.5 $\mu s$
100	8	30.2 $\mu s$	60.5 $\mu s$
101	9	62.5 $\mu s$	124.5 $\mu s$
110	10	126.25 $\mu s$	252.5 $\mu s$

*fc: High frequency [ Hz ]*

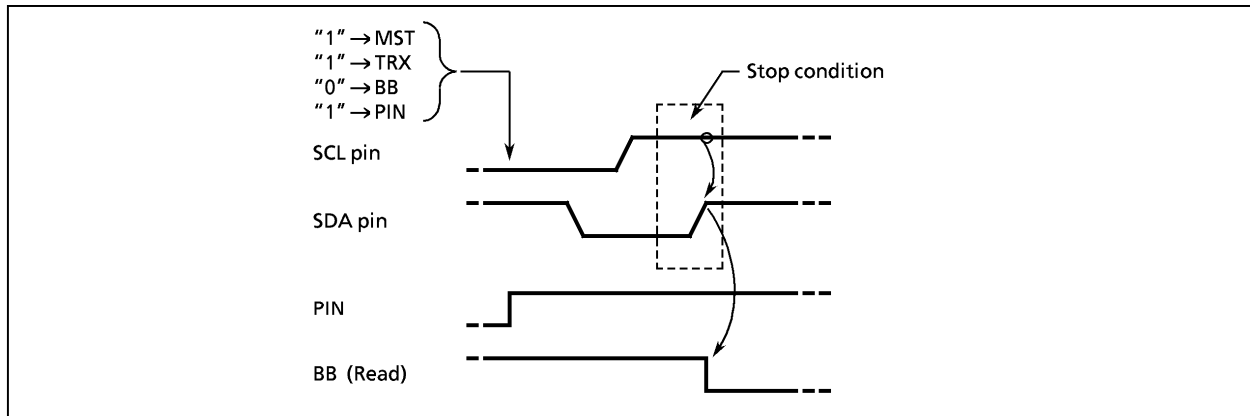


Figure 2-46. Stop Condition Generation

(5) Restart

Restart is used to change the direction of data transfer between a master device and a slave device during transferring data. The following explains how to restart when the TMP87CH48/CM48 are in the master mode.

Clear "0" to the MST, TRX, and BB and set "1" to the PIN and release the bus. The SDA pin retains the high level and the SCL pin is released. Since a stop condition is not generated on a bus, a bus is assumed to be in a busy state from other devices. Check the BB until it becomes "0" to check that the SCL pin of the TMP87CH48 is released. Check the LRB until it becomes "1" to check that the SCL line of a bus is not pulled down to the low level by other devices. After confirming that a bus stays in a free state, generate a start condition with procedure 2.9.5 (2).

In order to meet setup time when restarting, take at least 4.7 [ $\mu$ s] of waiting time by software from the time of restarting to confirm that the bus is free until the time to generate the start condition.

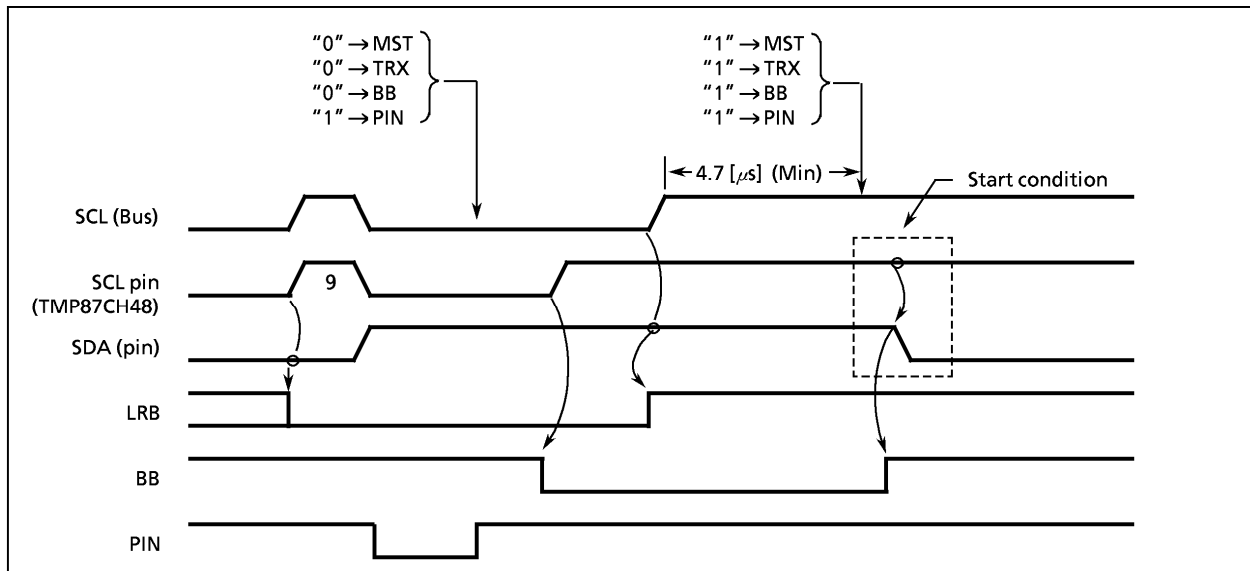
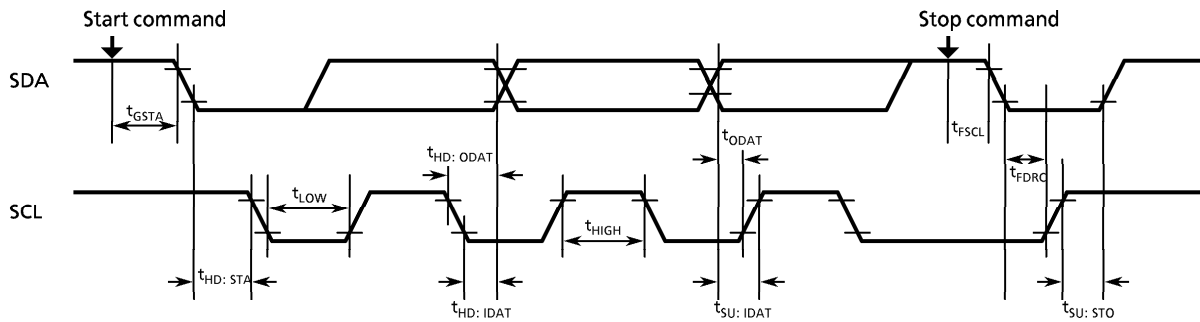


Figure 2-47. Timing Diagram when Restarting the TMP87CH48

AC Timing for SBI-Ver. B (I<sup>2</sup>C Bus)

Parameter	Symbol	Min	Typ.	Max	Unit
Hold time (Repeated) START condition. After this period, the first clock pulse is generated.	$t_{HD: STA}$	$2^n/fc$	–		s
HIGH period of the SCL clock	$t_{HIGH}$	$2^n/fc + 8/fc$	–	–	s
LOW period of the SCL clock	$t_{LOW}$	$2^n/fc$	–	–	s
Data hold time (Input)	$t_{HD: IDAT}$	0	–	–	ns
Data set-up time (Input)	$t_{SU: IDAT}$	250	–	–	ns
Data hold time (Output)	$t_{HD: ODAT}$	$3/fc$	–	$7/fc$	s
Data output time before rising SCL clock	$t_{ODAT}$	–	$2^n/fc - t_{HD: ODAT}$	–	s
Set-up time for STOP condition	$t_{SU: STO}$	$2^n/fc + 4/fc$	–	–	s
The period of generating a start condition when writing START command.	$t_{GSTA}$	$3/fc$	–	–	s
The period of falling SCL clock when writing STOP command.	$t_{FSCL}$	$3/fc$	–	–	s
The period between falling edge of SDA and rising edge of SCL when generation a STOP condition.	$t_{FDRC}$	$2^n/fc$	–	–	s

SCK (Bit 2 to 0 in the SBICR1)	n
000	4
001	5
010	6
011	7
100	8
101	9
110	10



### 2.9.6 Clocked-synchronous 8-Bit SIO Mode Control

The following registers are used for control and operation status monitoring when using the serial bus interface (SBI) in the clocked-synchronous 8-bit SIO mode.

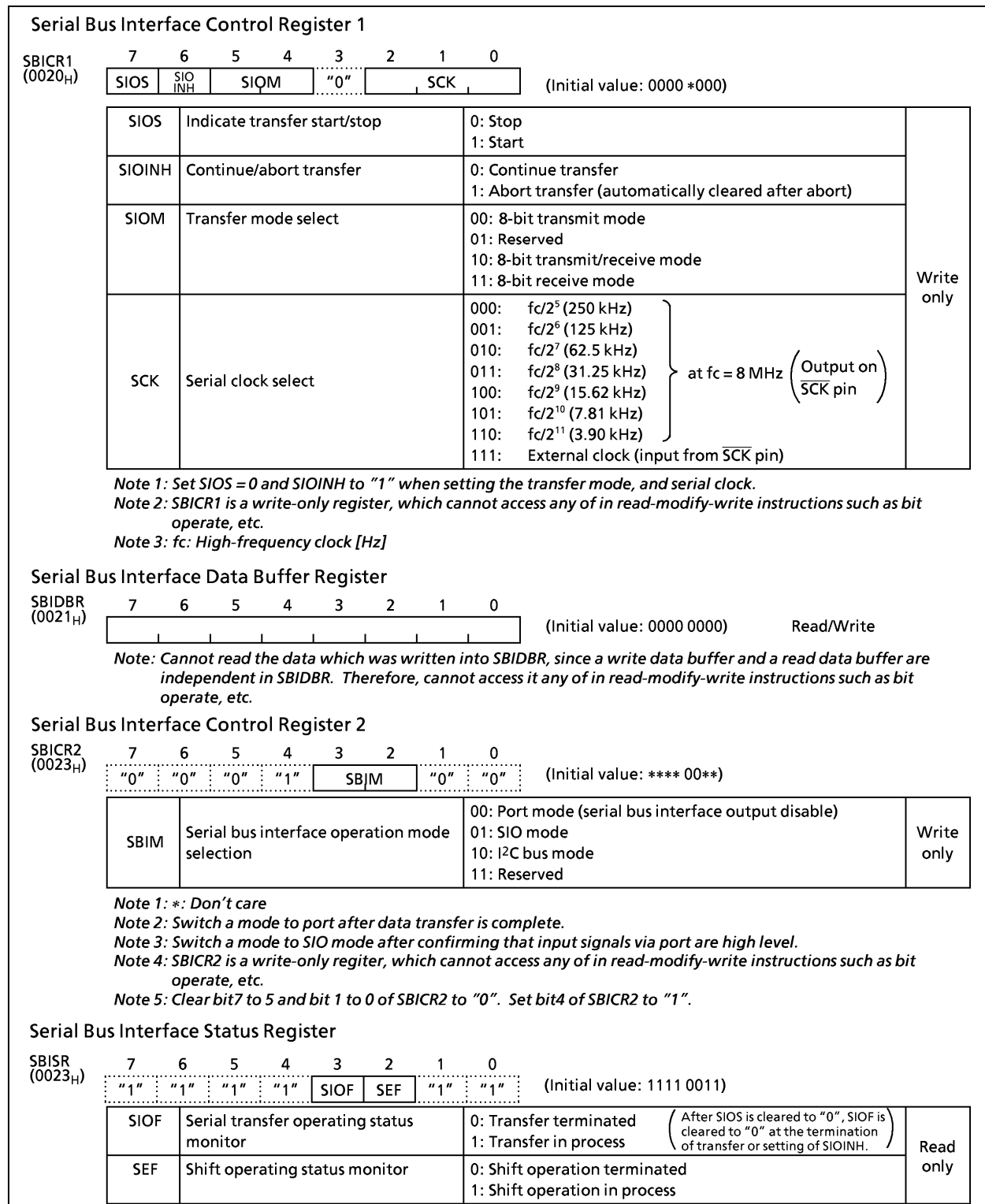


Figure 2-48. Serial Bus Interface Control Register 1/Serial Bus Interface Data Buffer Register/Serial Bus Interface Control Register 2/Serial Bus Interface Status Register in SIO Mode

(1) Serial clock

a. Clock source

The SCK (Bits 2 to 0 in the SBICR1) is used to select the following functions.

① Internal clock

In an internal clock mode, any of seven frequencies can be selected. The serial clock is output to the outside on the  $\overline{\text{SCK}}$  pin. The  $\overline{\text{SCK}}$  pin becomes a high level when data transfer starts. When writing (in the transmit mode) or reading (in the receive mode) data cannot follow the serial clock rate, an automatic-wait function is executed to stop the serial clock automatically and hold the next shift operation until reading or writing is complete.

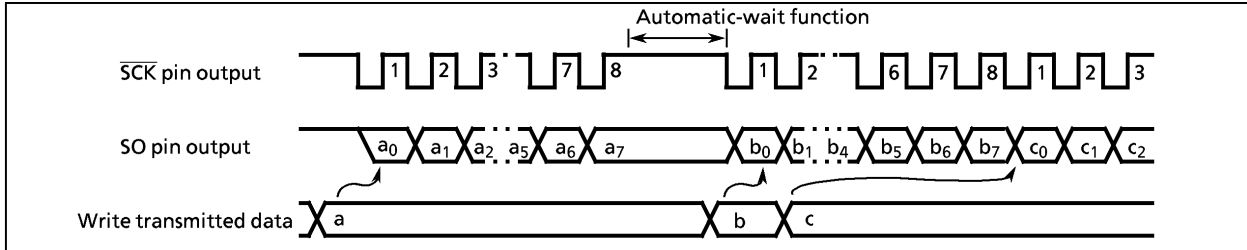


Figure 2-49. Automatic-wait Function

② External clock (SCK = "111")

An external clock supplied to the  $\overline{\text{SCK}}$  pin is used as the serial clock. In order to ensure shift operation, a pulse width of at least 4 machine cycles is required for both high and low levels in the serial clock. The maximum data transfer frequency is 250 kHz (when  $f_c = 8$  MHz).

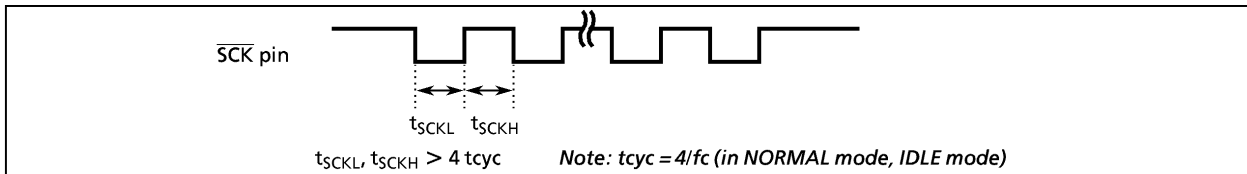


Figure 2-50. Maximum Data Transfer Frequency when External Clock Input

## b. Shift edge

The leading edge is used to transmit data, and the trailing edge is used to receive data.

## ① Leading edge shift

Data is shifted on the leading edge of the serial clock (at a falling edge of the  $\overline{SCK}$  pin input/output).

## ② Trailing edge shift

Data is shifted on the trailing edge of the serial clock (at a rising edge of the  $\overline{SCK}$  pin input/output).

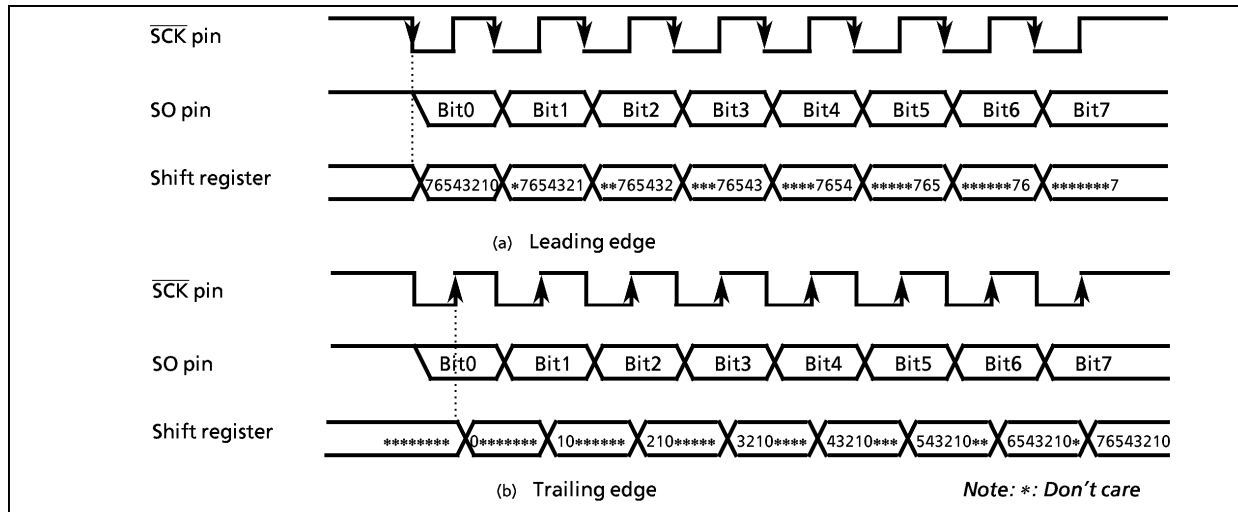


Figure 2-51. Shift Edge

## (2) Transfer mode

The SIOM (Bits 5 and 4 in the SBICR1) is used to select a transmit, receive, or transmit/receive mode.

## a. 8-bit transmit mode

Set a control register to a transmit mode and write transmit data to the SBIDBR.

After the transmit data is written, set the SIOS to "1" to start data transfer. The transmitted data is transferred from the SBIDBR to the shift register and output to the SO pin in synchronous with the serial clock, starting from the least significant bit (LSB). When the transmit data is transferred to the shift register, the SBIDBR becomes empty. The INTSBI (Buffer empty) interrupt request is generated to request new data.

When the internal clock is used, the serial clock will stop and automatic-wait function will be initiated if new data is not loaded to the data buffer register after the specified 8-bit data is transmitted. When new transmit data is written, automatic-wait function is canceled.

When the external clock is used, data should be written to the SBIDBR before new data is shifted. The transfer speed is determined by the maximum delay time between the time when an interrupt request is generated and the time when data is written to the SBIDBR by the interrupt service program.

When the transmit is started, after the SIOF goes "1" output from the SO pin holds final bit of the last data until falling edge of the  $\overline{SCK}$ .

The transmission is ended by clearing SIOS to "0" or setting SIOINH to "1" in buffer empty interrupt service program. When the SIOS is cleared, the transmitted mode ends when all data is output. In order to confirm if data is surely transmitted by the program, set the SIOF (Bit 3 in the SBISR) to be sensed. The SIOF is cleared to "0" when transmitting is complete. When the SIOINH is set, transmitting data stops. The SIOF turns "0".

When the external clock is used, it is also necessary to clear the SIOS to "0" before new data is shifted; otherwise, dummy data is transmitted and operation ends.

When SIOINH is set, the transmission is immediately ended and SIOF is cleared to "0".  
 If it is necessary to change the number of words, SIOS should be cleared to "0", then BUF must be rewritten after confirming that SIOF has been cleared to "0".

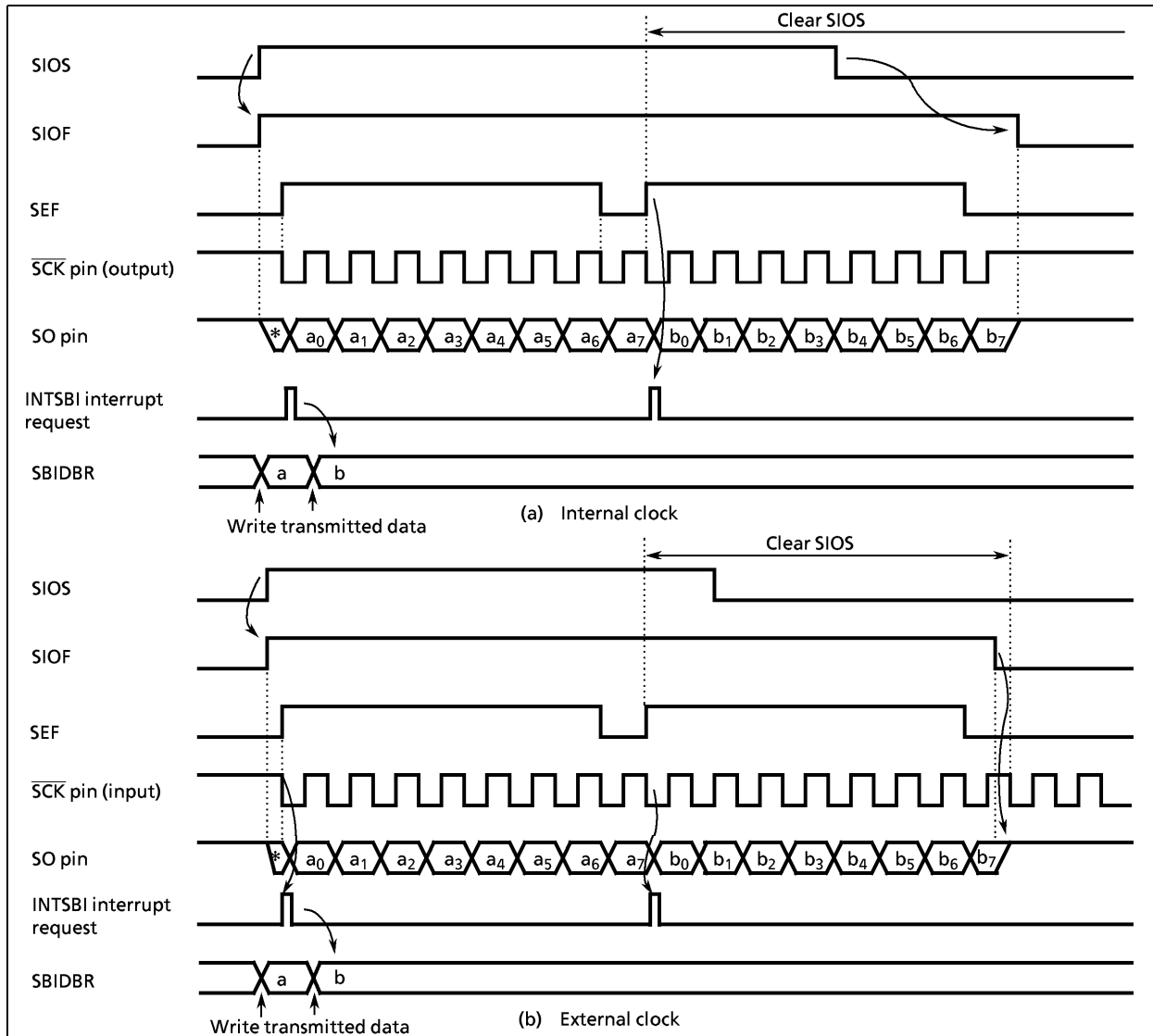


Figure 2-52. Transfer Mode

Example: Program to stop transmitting data (when external clock is used).

```

STEST1:  TEST (SBISR) . SEF          ; If SEF = 1 then loop
          JRS F, STEST1
STEST2:  TEST (P4) . 0             ; If SCK = 0 then loop
          JRS T, STEST2
          LD (SBICR1), 00000111B   ; SIOS ← 0
    
```



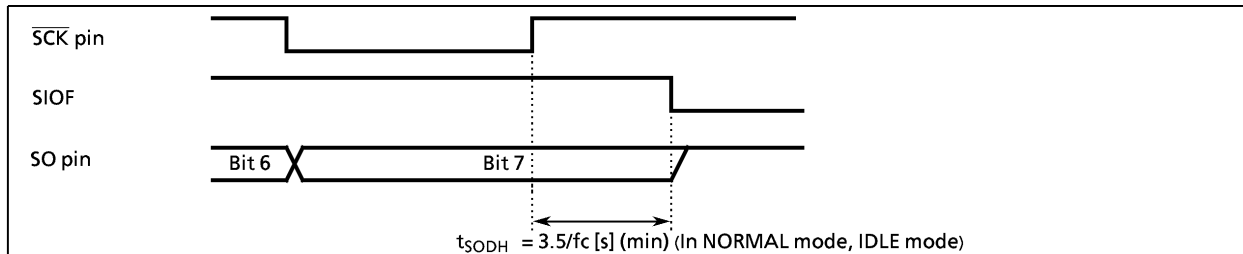


Figure 2-53. Transmitted Data Hold Time at End of Transmit

#### b. 8-bit receive mode

Set the control register to receive mode and the SIOS to "1" for switching to receive mode. Data is received from the SI pin to the shift register in synchronous with the serial clock, starting from the least significant bit (LSB). When the 8-bit data is received, the data is transferred from the shift register to the SBIDBR. The INTSBI (Buffer full) interrupt request is generated to request of reading the received data. The data is then read from the SBIDBR by the interrupt service program.

When the internal clock is used, the serial clock will stop and automatic-wait function will be initiated until the received data is read from the SBIDBR.

When the external clock is used, since shift operation is synchronized with the clock pulse provided externally, the received data should be read from the SBIDBR before next serial clock is input. If the received data is not read, further data to be received is canceled. The maximum transfer speed when the external clock is used is determined by the delay time between the time when an interrupt request is generated and the time when received data is read.

The receiving is ended by clearing SIOS to "0" or setting SIOINH to "1" in buffer full interrupt service program. When SIOINH is set, the receiving is immediately ended and SIOF is cleared to "0". When the SIOS is cleared, received data is transferred to the SBIDBR in complete blocks. The received mode ends when the transfer is complete. In order to confirm if data is surely received by the program, set the SIOF (Bit 3 in the SBIDBR) to be sensed. The SIOF is cleared to "0" when receiving is complete. After confirming that receiving has ended, the last data is read. When the SIOINH is set, receiving data stops. The SIOF turns "0" (The received data becomes invalid, therefore no need to read it).

If it is necessary to change the number of words in external clock operation, SIOS should be cleared to "0" then BUF must be rewritten after confirming that SIOF has been cleared to "0".

If it is necessary to change the number of words in internal clock, during automatic-wait operation which occurs after completion of data receive, BUF must be rewritten before the received data is read out.

*Note: When the transfer mode is switched, the SBIDBR contents are lost. In case that the mode needs to be switched, receiving data is concluded by clearing the SIOS to "0", read the last data, and then switch the mode.*

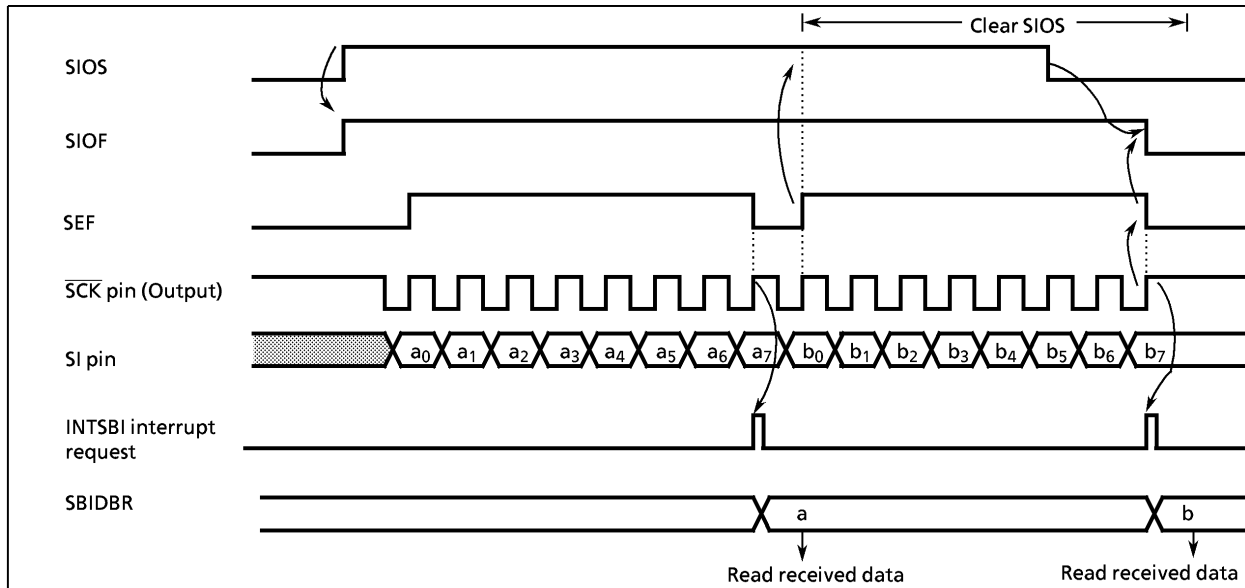


Figure 2-54. Receive Mode (Example: Internal clock)

### c. 8-bit transmit/receive mode

Set a control register to a transmit/receive mode and write data to the SBIDBR. After the data is written, set the SIOS to "1" to start transmitting/receiving. When transmitting, the data is output from the SO pin on the leading edges in synchronous with the serial clock, starting from the least significant bit (LSB). When receiving, the data is input to the SI pin on the trailing edges of the serial clock. 8-bit data is transferred from the shift register to the SBIDBR, and the INTSBI interrupt request occurs. The interrupt service program reads the received data from the data buffer register and writes data to be transmitted. The SBIDBR is used for both transmitting and receiving. Transmitted data should always be written after received data is read.

When the internal clock is used, automatic-wait function is initiated until received data is read and next data is written.

When the transmit is started, after the SIOF goes "1" output from the SO pin holds final bit of the last data until falling edge of the  $\overline{\text{SCK}}$ .

When the external clock is used, since the shift operation is synchronized with the external clock, received data is read and transmitted data is written before new shift operation is executed. The maximum transfer speed when the external clock is used is determined by the delay time between the time when an interrupt request is generated and the time when received data is read and transmitted data is written.

The transmission is ended by clearing SIOS to "0" or setting SIOINH to "1" in buffer empty interrupt service program. When the SIOS is cleared, received data is transferred to the SBIDBR in complete blocks. The transmit/receive mode ends when the transfer is complete. In order to confirm if data is surely transmitted/received by the program, set the SIOF (Bit3 in the SBISR) to be sensed. The SIOF becomes "0" after transmitting/receiving is complete.

When SIOINH is set, the transmit/receive operation is immediately ended and SIOF is cleared to "0".

If it is necessary to change the number of words in external clock operation, SIOS should be cleared to "0", then BUF must be rewritten after confirming that SIOF has been cleared to "0".

If it is necessary to change the number of words in internal clock, during automatic-wait operation which occurs after completion of transmit/receive operation, BUF must be rewritten before reading and writing of the receive/transmit data.

*Note: When the transfer mode is switched, the SBIDBR contents are lost. In case that the mode needs to be switched, conclude transmitting/receiving data by clearing the SIOS to "0", read the last data, and then switch the transfer mode.*

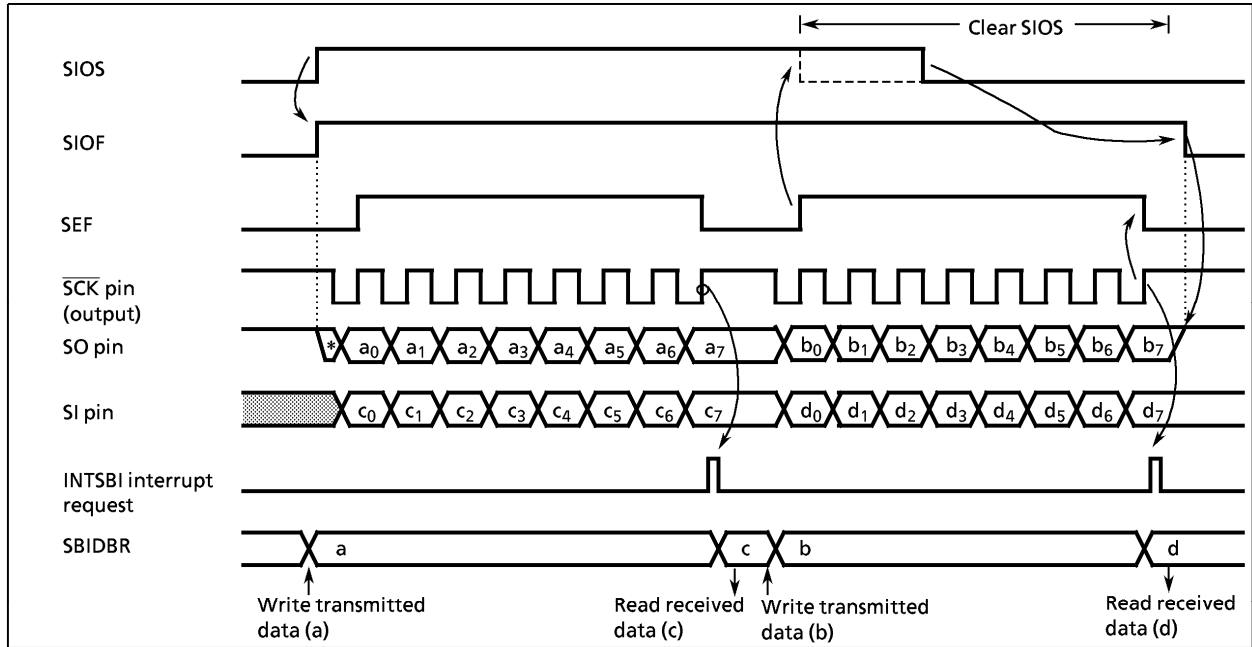


Figure 2-55. Transmit/Receive Mode (Example: Internal clock)

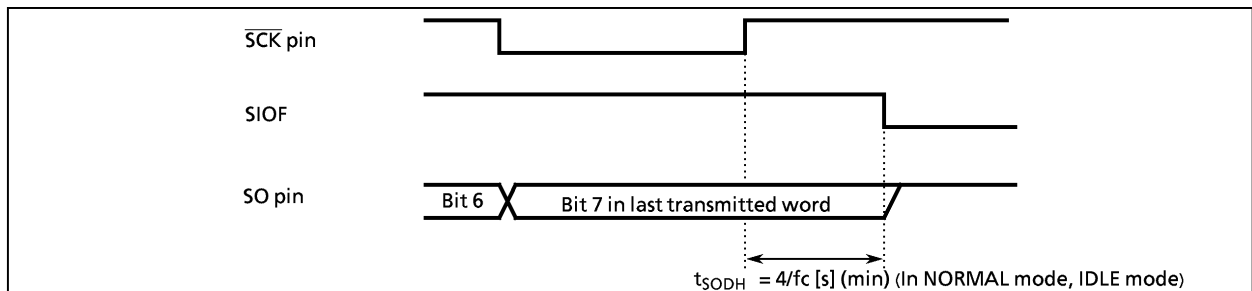


Figure 2-56. Transmitted Data Hold Time at End of Transmit/Receive

2.10 UART (Asynchronous serial interface)

The TMP87CH48/CM48 have 1 channel of UART (Asynchronous serial interface) .

The UART is connected to external devices via RxD and TxD. RxD is also used as P44; TxD, as P45. To use P44 or P45 as the RxD or TxD pin, set P4 port output latches to 1.

2.10.1 Configuration

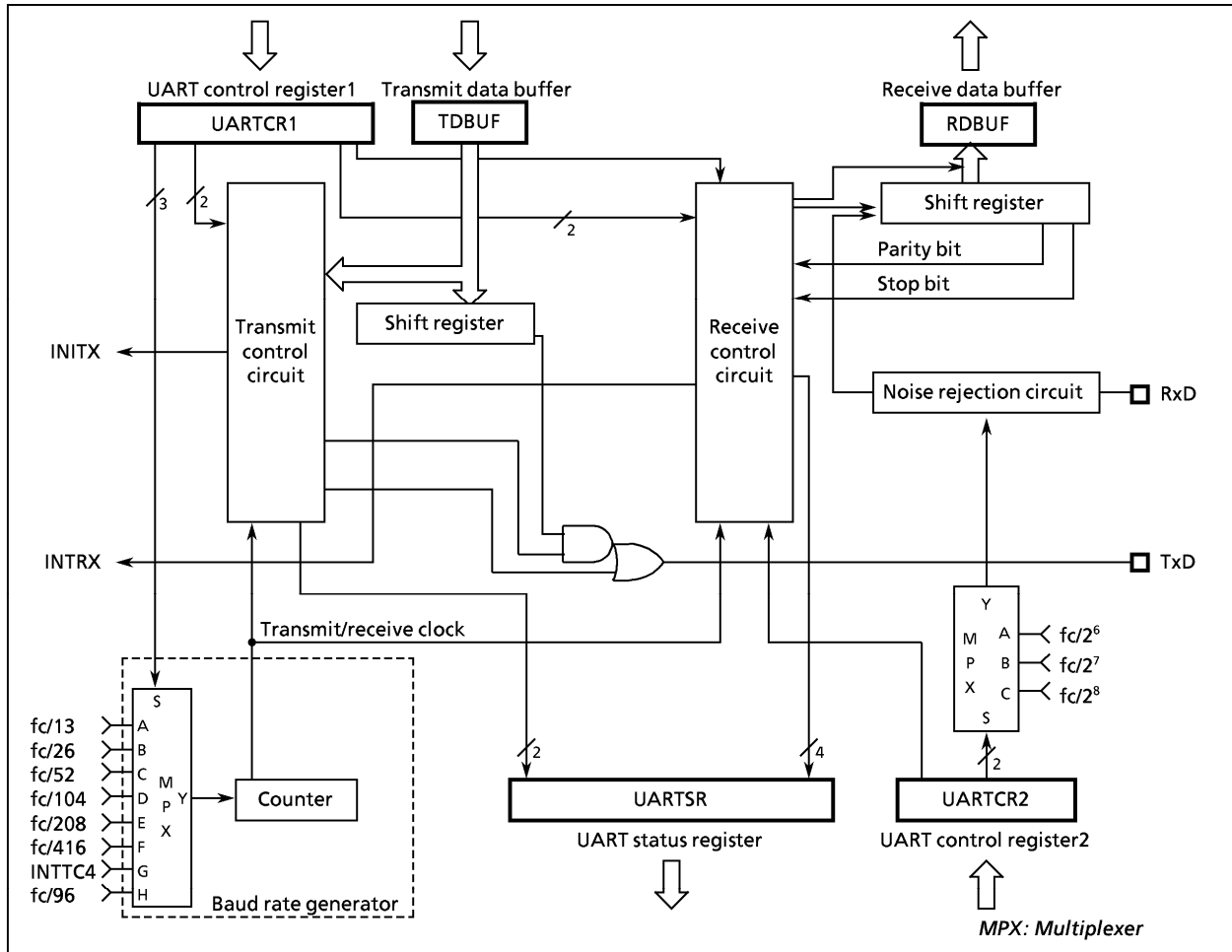


Figure 2-57. UART

2.10.2 Control

UART is controlled by the UART control registers (UARTCR1, UARTCR2). The operating status can be monitored using the UART status register (UARTSR).

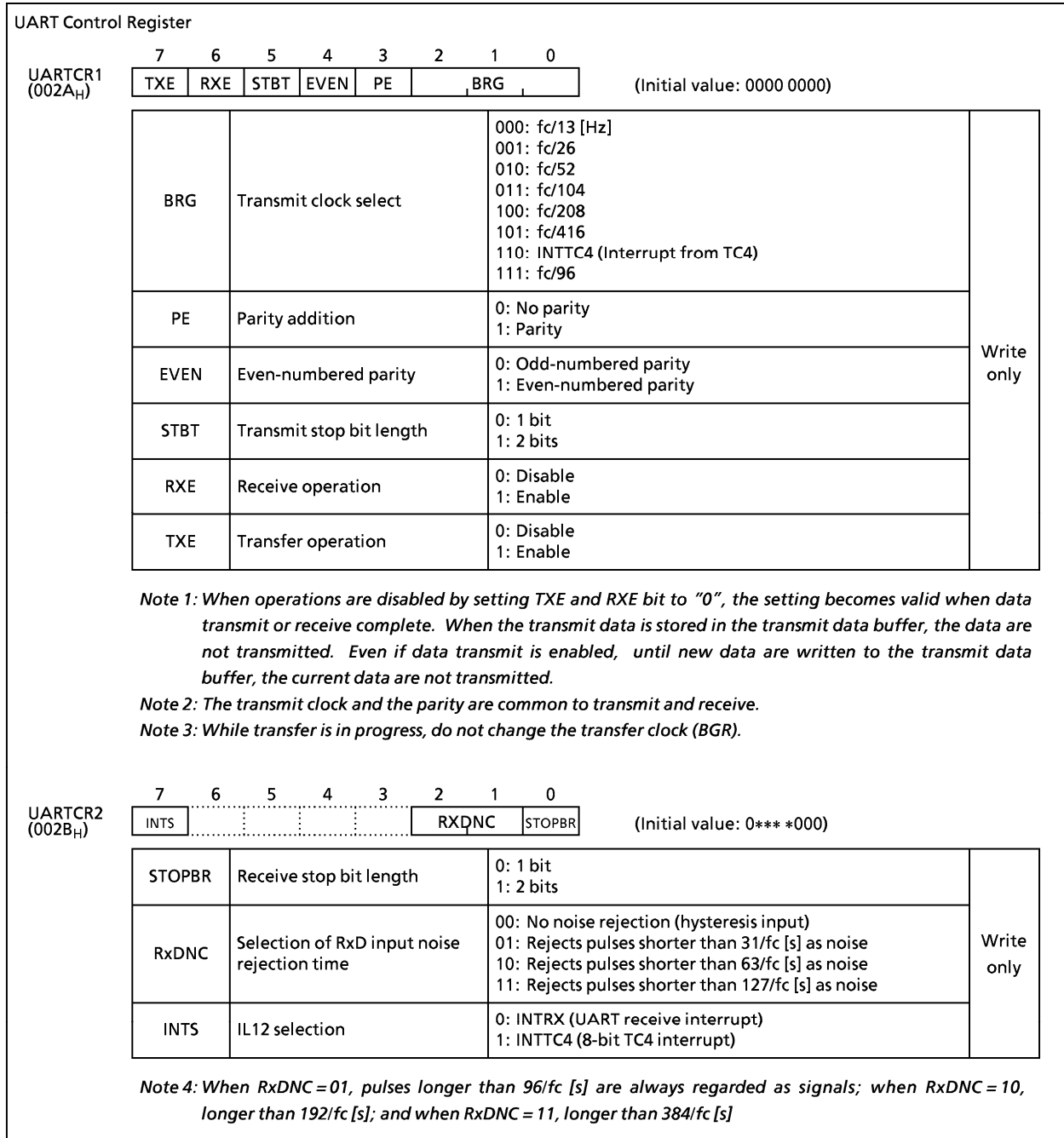


Figure 2-58. UART Control Register

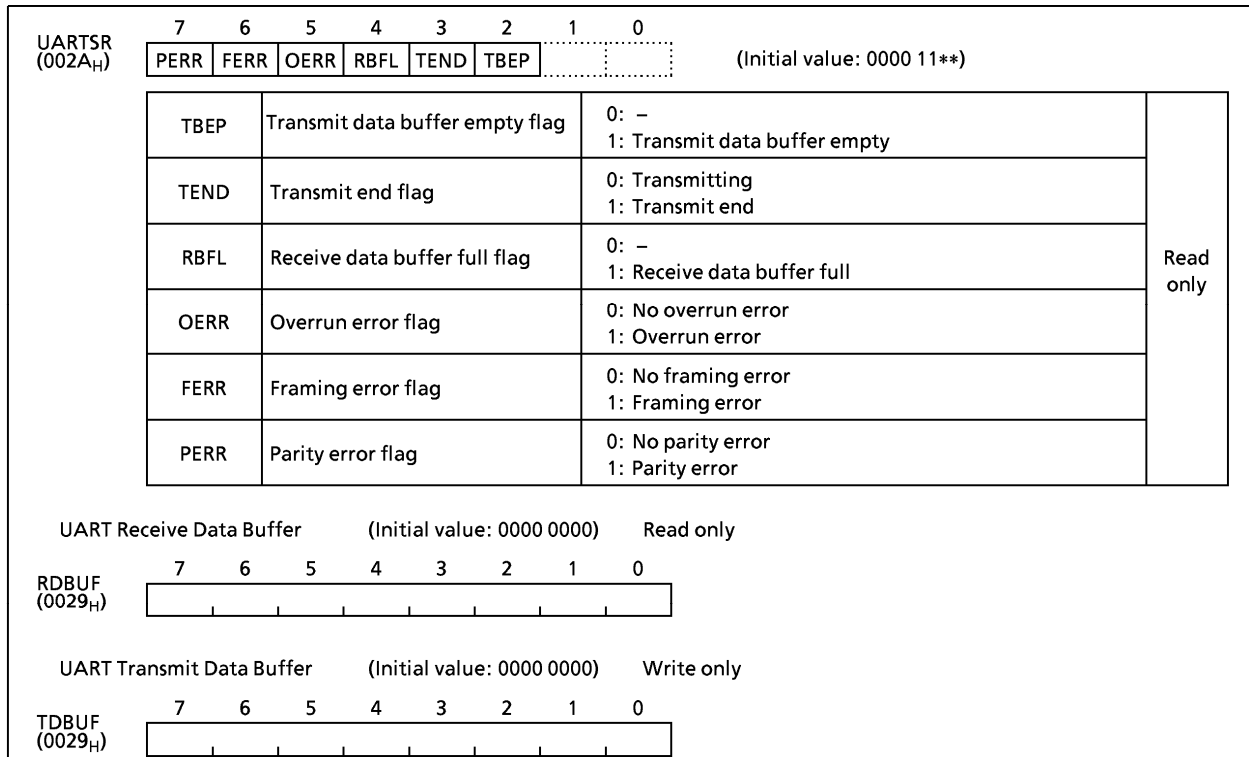
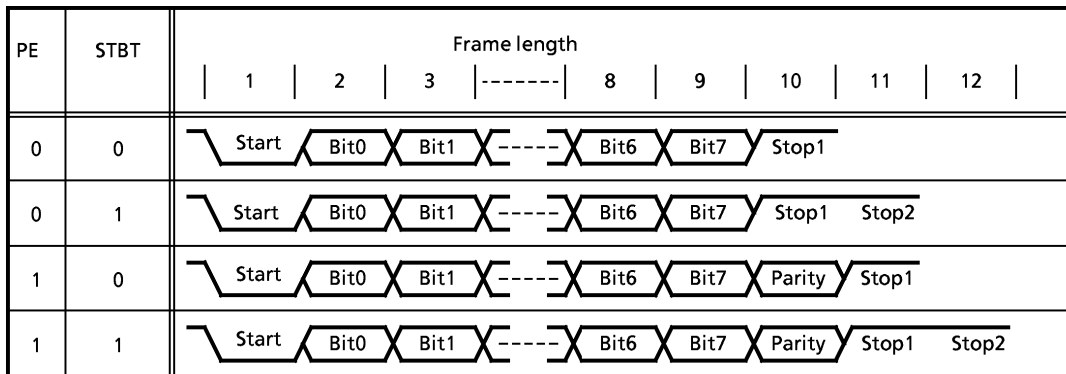


Figure 2-59. UART Status Register and Data Buffer Registers

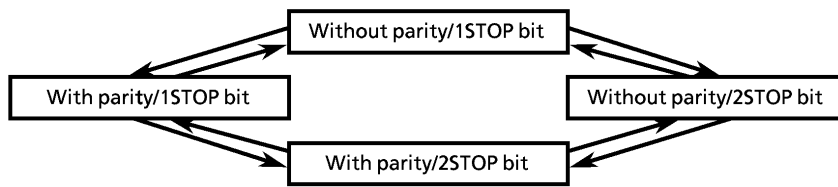
### 2.10.3 Transfer Data Format

In UART, a one-bit start bit (Low level), stop bit (Bit length selectable at high level, by STBT), and parity (Select parity in PE: Even-or odd-numbered parity by EVEN) are added to the transfer data. The transfer data formats are shown as follow.

Table 2-9.



Note: If the transmit data format is to be changed, except when initializing, perform transmit operation upon state transition before changing the format. This is necessary to ensure that transmission will not lock up.



**2.10.4 Transfer Rate**

The baud rate of UART is set of BRG (Bit 0, 1, and 2 in UARTCR1) . The example of the baud rate shown as follows.

Table 2-10.

BRG	Source Clock	
	8 MHz	4 MHz
000	38400 [baud]	19200 [baud]
001	19200	9600
010	9600	4800
011	4800	2400
100	2400	1200
101	1200	600

When TC4 is used as the UART transfer rate (when BRG = 110), the transfer clock and transfer rate are determined as follows:

$$\text{Transfer clock} = \frac{\text{TC4 source clock}}{\text{TREG4 set value}}$$

$$\text{Transfer rate} = \frac{\text{Transfer clock}}{16}$$

**2.10.5 Data Sampling**

The UART receiver keeps sampling input using the clock selected by BRG (Bit 0, 1, and 2 in UARTCR1) until a start bit is detected in RxD pin input. RT clock starts detecting "L" level of the RxD pin. Once a start bit is detected, the start bit, data bits, stop bit(s), and parity bit are sampled at three times of RT7, RT8, and RT9 during one receiver clock interval (RT clock). (RT0 is the position where the bit supposedly starts). Bit is determined according to majority rule (The data are the same twice or more out of three samplings) .

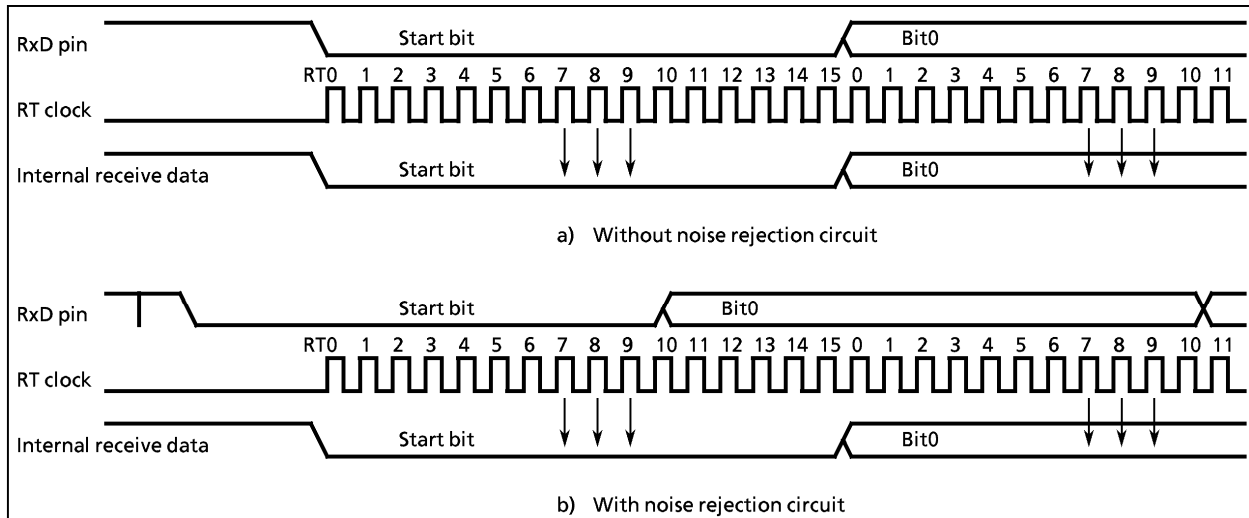


Figure 2-60. Data Sampling

**2.10.6 STOP Bit Length**

Select a transmit stop bit length (1 or 2 bits) by STBT (Bit5 in UARTCR1)

**2.10.7 Parity**

Set parity/no parity by PE ; set parity type (Odd or even-numbered) by EVEN (Bit 4 in UARTCR1).

**2.10.8 Transmit/Receive**

(1) Data transmit

Set TXE (Bit 7 in UARTCR1) to 1. Read UARTSR to check TBEP = 1, then write data in TDBUF (Transmit data buffer). Writing data in TDBUF zero-clears TBEP, transfers the data to the transmit shift register and the data are sequentially output from the TxD pin. The data output include a one-bit start bit, stop bits whose number is specified in STBT (Bit 5 in UARTCR1) and a parity bit if parity addition is specified. Select the data transfer baud rate using bits 0 to 2 in UARTCR1. When data transmit starts, transmit buffer empty flag TBEP is set to 1 and an INTTX interrupt is generated.

When transmitting data, first read UARTSR, then write data in TDBUF. Otherwise, TBEP is not zero-cleared and transmit does not start.

(2) Data receive

Set RXE (Bit 6 in UARTCR1) to 1. When data are received via the RxD pin, the receive data are transferred to RDBUF (Receive data buffer). At this time, the data transmitted include a start bit and stop bit(s) and a parity bit if parity addition is specified. When stop bit(s) are received, data only are extracted and transferred to RDBUF (Receive data buffer). Then the receive buffer full flag RBFL is set and an INTRX interrupt is generated. Select the data transfer baud rate using bits 0 to 2 in UARTCR1.

If an overrun error (OERR) occurs when data are received, the data are not transferred to RDBUF (Receive data buffer) but discarded; data in the RDBUF are not affected.

*Note: When receive operation is stopped by setting the RXE bit to 0, receive the effect of this setting does not materialize until after the operation is completed. However, if the received data has any framing error, said setting to stop receive operation may not take effect. Therefore, whenever a framing error occurs, be sure to reexecute the receive operation.*

**2.10.9 Status Flag/Interrupt Signal**

(1) Parity error

When parity determined using the receive data bits differs from the received parity bit, the parity error flag PERR is set in UARTSR. Reading UARTSR then RDBUF clears PERR.

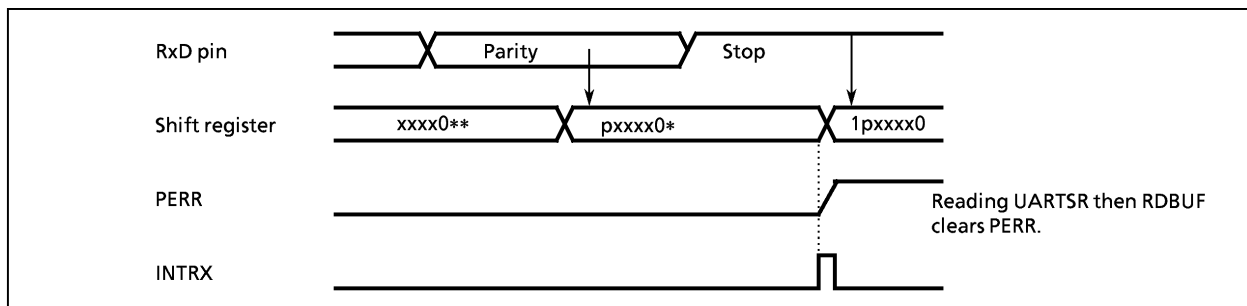


Figure 2-61. Generation of Parity Error



(2) Framing error

When 0 is sampled as the stop bit in the receive data, framing error flag FERR is set. Reading UARTSR then RDBUF clears FERR.

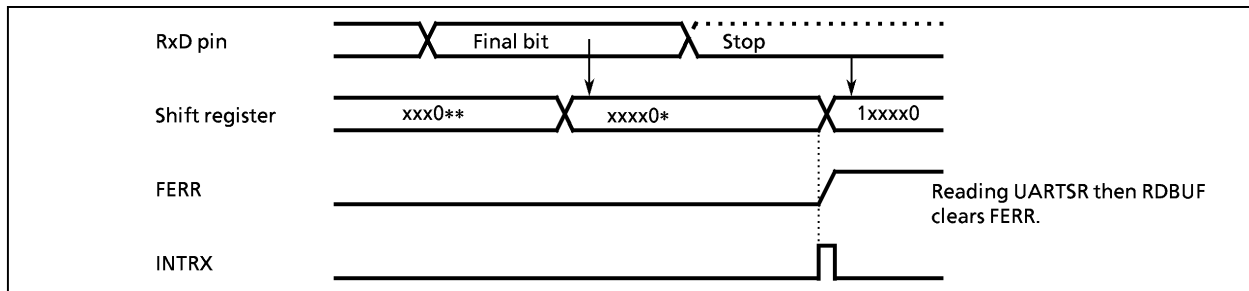


Figure 2-62. Generation of Framing Error

(3) Overrun error

When all bits in the next data are received while unread data are still in RDBUF, overrun error flag OERR is set. In this case, the receive data is discarded; data in RDBUF are not affected. Reading UARTSR then RDBUF clears OERR.

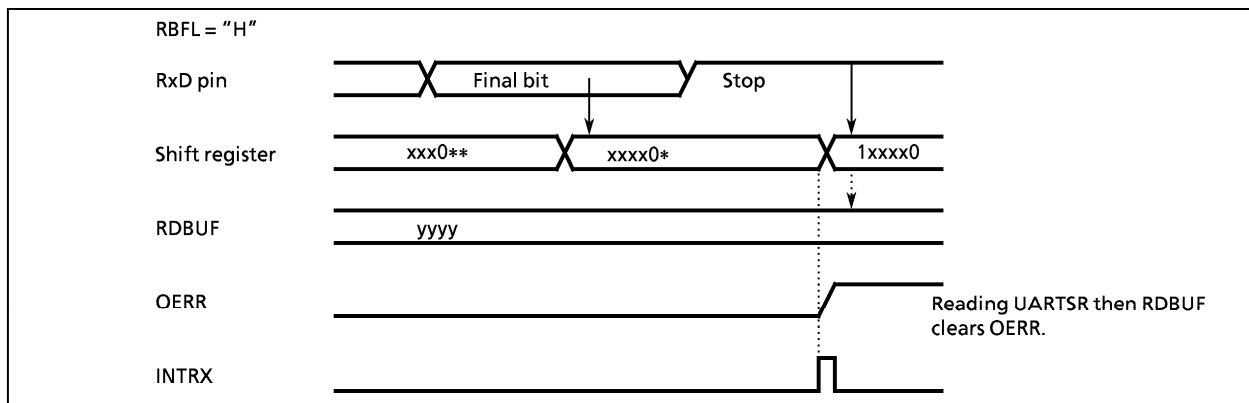


Figure 2-63. Generation of Overrun Error

(4) Receive data buffer full

Loading the received data in RDBUF sets receive data buffer full flag RBFL. Reading UARTSR then RDBUF clears the RBFL.

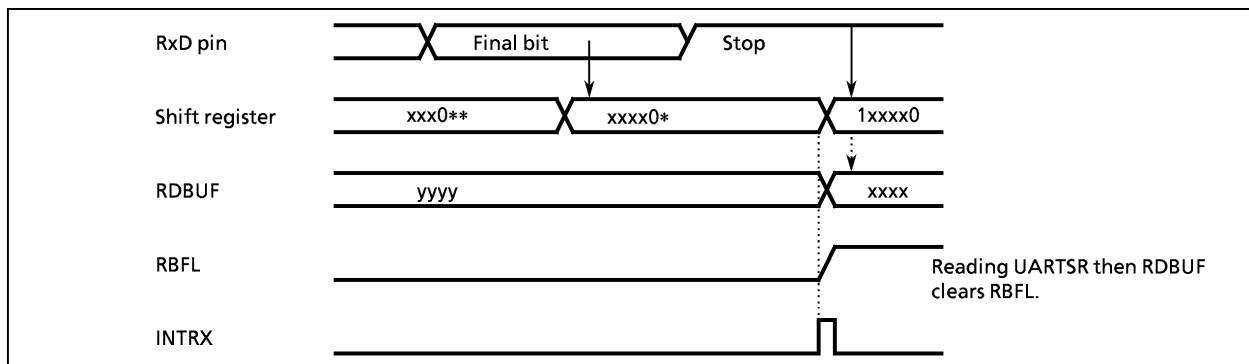


Figure 2-64. Generation of Receive Buffer Full

(5) Transmit data buffer empty

When no data is in the transmit buffer TDBUF, TBEP is set, that is, when data in TDBUF are transferred to the transmit shift register and data transmit starts, transmit data buffer empty flag TBEP is set. Reading UARTSR then writing the data to TDBUF clears TBEP.

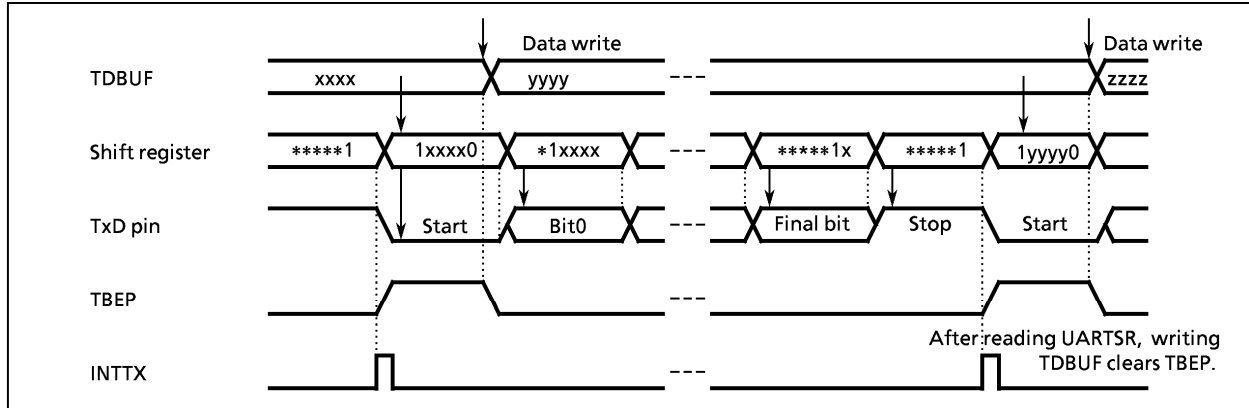


Figure 2-65. Generation of Transmit Buffer Empty

(6) Transmit end flag

When data are transmitted and no data is in TDBUF (TBEP = 1), transmit end flag TEND is set. Writing data to TDBUF then starting data transmit clears TEND.

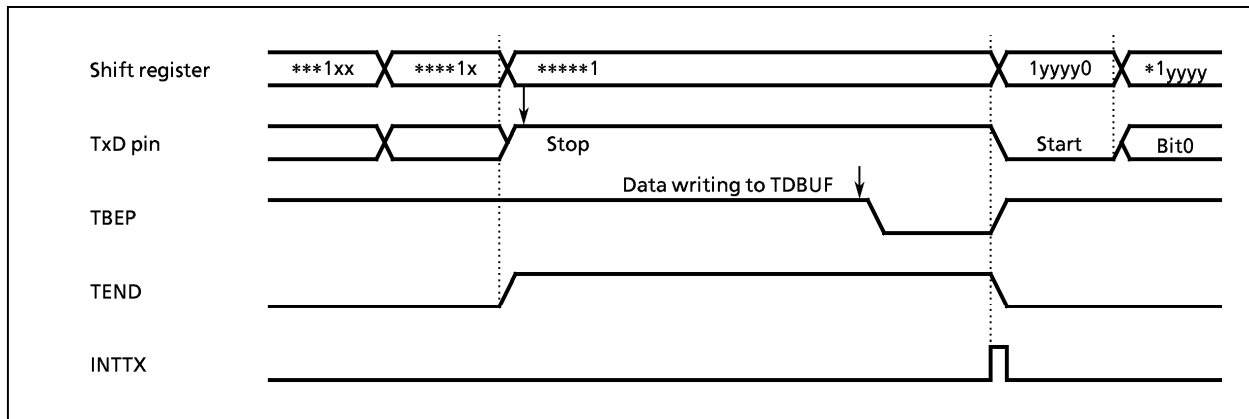


Figure 2-66. Generation of Transmit Buffer Empty

### 2.11 12-Bit PWM (Pulse width modulation) Output Circuit

TMP87CH48/CM48 have four built-in pulse width modulation (PWM) channels which are 12-bit resolution. DA converter output can easily be obtained by connecting an external low-pass filter. PWM outputs are output from P80 (PWM0) to P83 (PWM3) with negative logic (Low active). When P80 to P83 are used as PWM outputs, the output latch of P8 (#0008H) must be set to "1", subsequently P8CR (#0009H) must be set to the output mode. P80 to P83 become Hz during and just after reset. When P80 to P83 are used as PWM output, the pull-up resistor is externally added. PWM outputs can output low level pulse in only NORMAL1 (or IDLE1) and NORMAL2 (IDLE2) modes. When P80 to P83 are used as PWM outputs and the operation mode is transferred from NORMAL1 mode to STOP1 mode or from NORMAL2 mode to STOP2 mode (or SLOW mode, SLEEP mode), the PWM pin always outputs "High". Consequently, the lower level pulse can not be output. In addition, when the operation mode is transferred from STOP1 mode to NORMAL1 mode, or from STOP2 (or SLOW mode, SLEEP mode) to NORMAL2 mode, the registers (PWMCr, PWMDBr) necessary for PWM output control must be initialized to output the PWM pulse again, which is the same settings after reset.

#### 2.11.1 Configuration

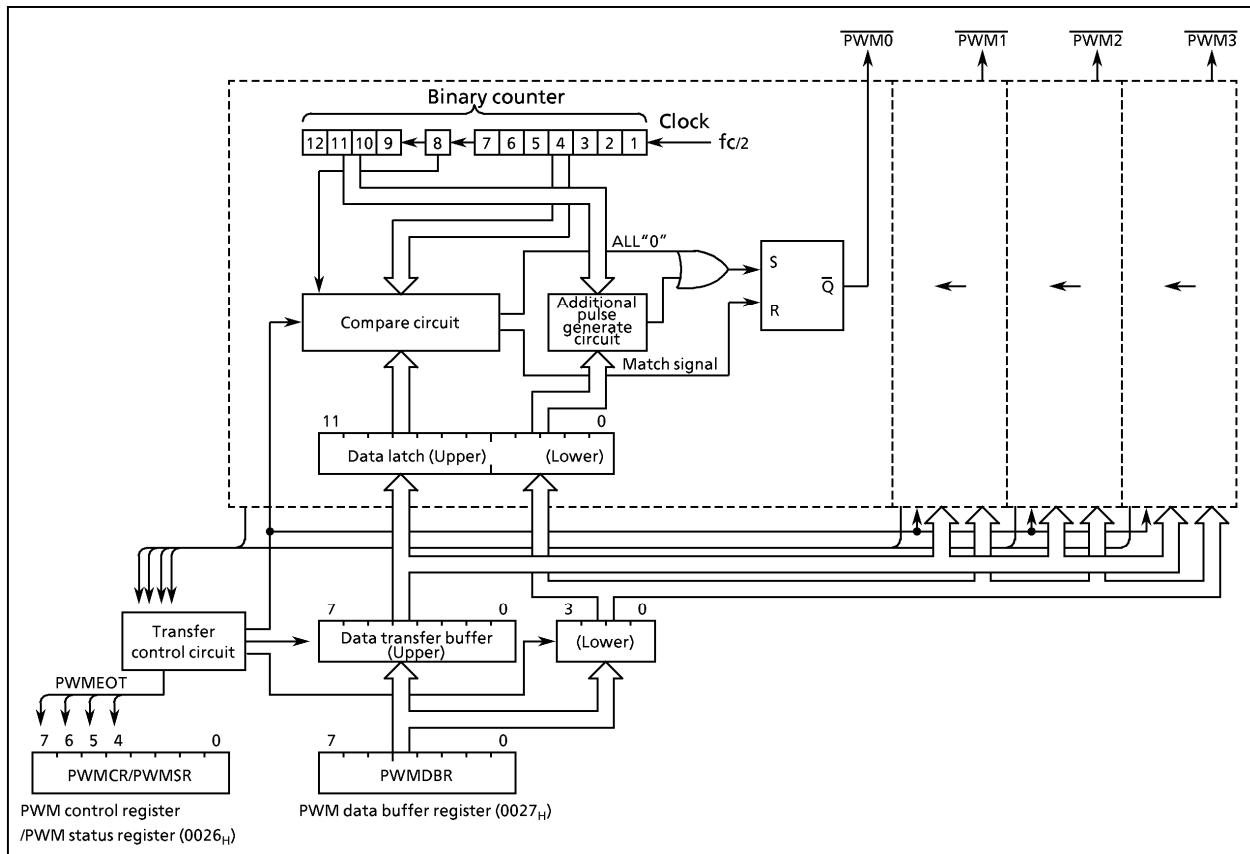


Figure 2-67. Pulse Width Modulation Circuit

2.11.2 Control

PWM output is controlled by the PWM control register (PWMCr) PWM data buffer register (PWMDbR). Whether writing to the PWM data buffer register is enable or not is acknowledged by reading EOT flag of the PWM status register (PWMSr).

(1) Control register

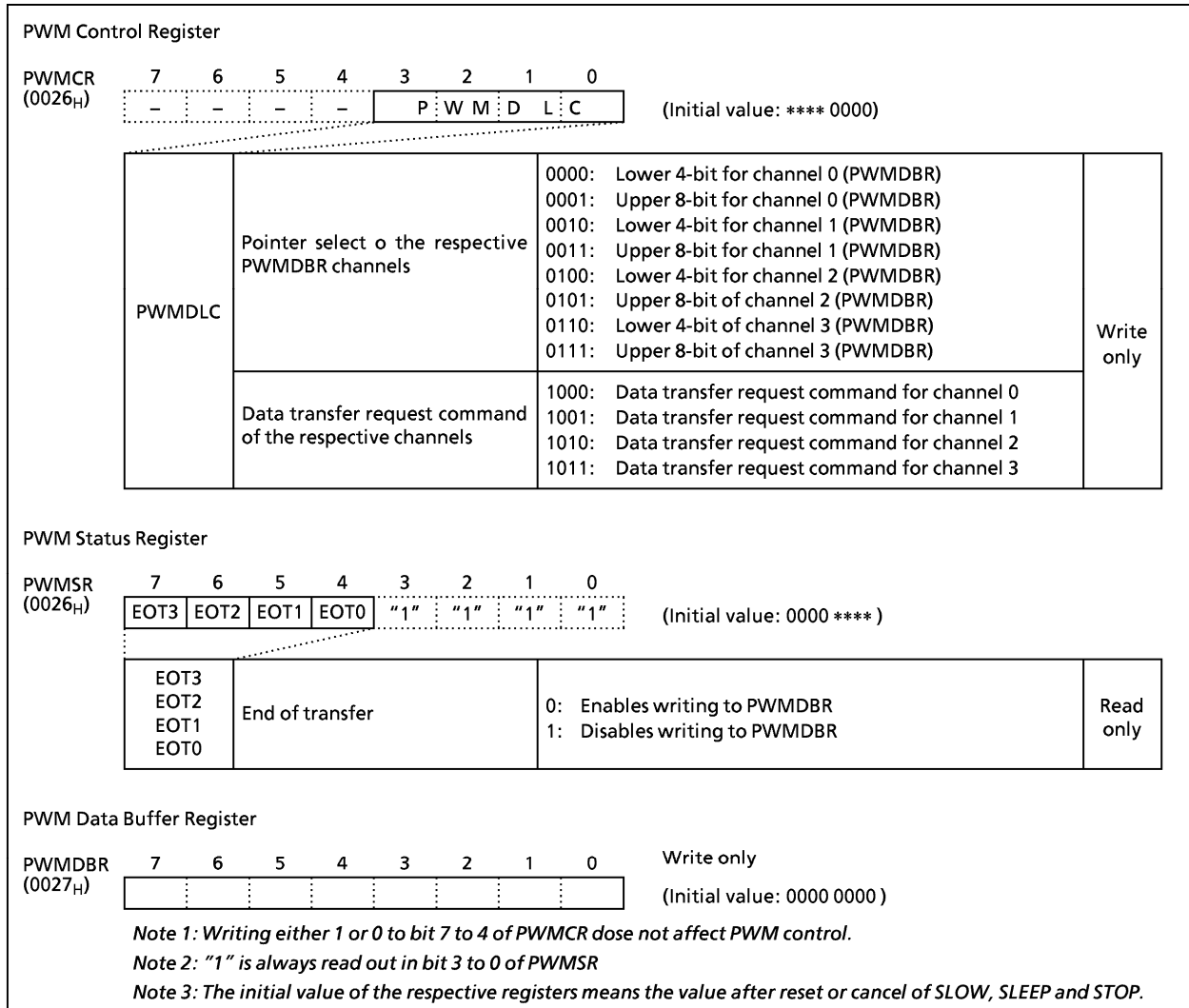


Figure 2-68 (1). 12-Bit PWM Control Register

## (2) Control procedures

Figure 2-68 (2) shows a program control flow chart for the respective channels.

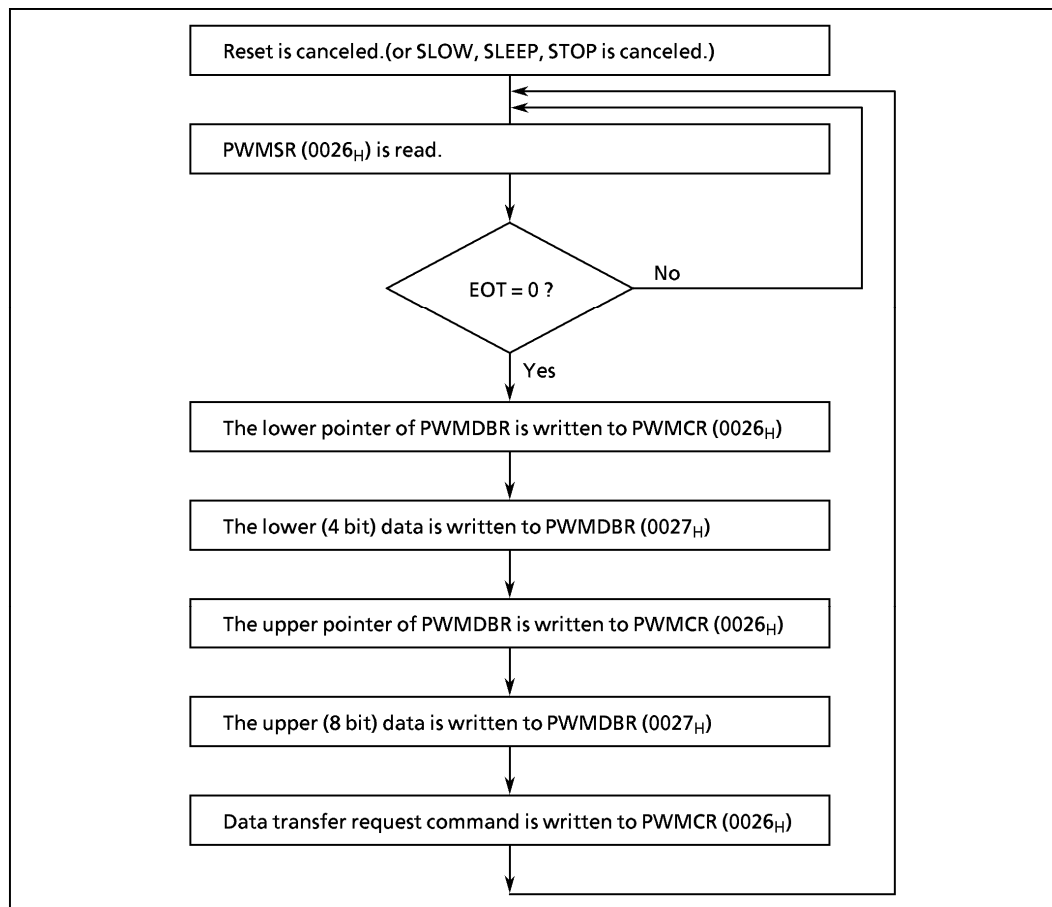


Figure 2-68 (2). Program Control Procedures for Channels

Example: Outputs 32  $\mu$ s (at  $f_c = 8\text{MHz}$ ) without additional pulse to pin  $\overline{\text{PWM0}}$ .

```

WAIT0: TEST  (PWMSR), 4      ; EOT0 = 0?
          JRS   F, WAIT0
          LD   (PWMCR), 00H  ; Selects the lower of PWMDBR for channel 0.
          LD   (PWMDBR), 00H ; Writes 00H without additional pulse to the lower 4 bits of
                               PWMDBR for channel 0.
          LD   (PWMCR), 01H  ; Selects the lower of PWMDBR for channel 0.
          LD   (PWMDBR), 80H ; Writes 80H (= 32  $\mu$ s  $\div$  2/ $f_c$ ) to the upper 8 bits of PWMDBR
                               for channel 0.
          LD   (PWMCR), 08H  ; Writes the data transfer request command for channel 0.
  
```

### 2.11.3 Functions

(1) PWMSR (EOT flag) operation

The EOT flag becomes "1" when the upper 8-bit and the lower 4-bit data are transferred from the PWM data buffer (PWMDBR) to the PWM data latch (up to  $2^{13}/f_c$ ), and "0" when the data transfer from PWMDBR to the PWM data latch is completed.

Writing to PWMDBR (0027H) must be executed when the EOT flag is "0". If PWMDBR data is rewritten at the EOT flag = "1", the PWM output pulse may be not correctly switched.

(2) The duration time until PWM output starts

In NORMAL mode subsequent to canceling reset or STOP (or SLOW mode, SLEEP mode), the maximum time from the point at which the data transfer request command is written until the PWM pulse output to the PWM pin is  $2^{13}/f_c$  after writing to the lower and the upper of PWMDBR is completed according to the procedures mentioned in figure 2-68 (2).

Additionally, when the output pulse is modulated in the middle of a output, the maximum time from the point at which the data transfer request command is written until the output pulse is switched is  $2^{13}/f_c$ .

(3) Low level pulse width of PWM output

This is 12-bit resolution PWM output and one period is  $T_M = 2^{13}/f_c$  [s].

The upper 8 bits of PWMDBR controls the low level pulse width of the pulse output with a period of  $T_s$  ( $T_s = T_M/16$ ). When the upper 8 bits of the PWM data latch is  $n$  ( $n = 0$  to 255), this low level pulse width becomes  $n \times t_o$  ( $t_o = 2/f_c$ ).

The lower 4 bits of PWMDBR controls the output position of the additional pulse of which the width is to between  $T_s$  (1) to  $T_s$  (15) out of 16 periods contained in  $T_s$  period.

When the lower 4 bits data of PWMDBR is  $m$  ( $m = 0$  to 15), the additional pulse is generated in each of  $m$  periods between  $T_s$  (1) to  $T_s$  (15). (The additional pulse is not generated at  $T_s$  (0). )

The output position of the additional pulse is controlled by setting some bits in the lower 4 bit of PWMDBR to "1". An example to set a position of the additional pulse referred to table 2-11 as mentioned below.

Figure 2-68 (3) shows an example of output pulse.

Table2-11. Setting Example of the Additional Pulse Output Position

	Setting of the Lower 4 Bits of PWM Data Latch				Relative Position when the Additional Pulse is Output between $T_s$ (1) to $T_s$ (15) in $T_M$ Period
	Bit 3	Bit 2	Bit 1	Bit 0	
a)	0	0	0	0	without additional pulse
b)	0	0	0	1	8
c)	0	0	1	0	4,12
d)	0	1	0	0	2, 6, 10, 14
e)	1	0	0	0	1, 3, 5, 7, 9, 11, 13, 15

*Note: It is possible to combine a) to e). The position where the additional pulse is output can be set with sixteen kinds.*

(4) Pin operation by reset

PWMCR, PWMSR and PWMDBR are initialized by reset. In addition, the internal 12-bit counter, the data transfer buffer and the PWM data latch are initialized. P80 to P83 pins become "Hz" during and just after reset. When the PWM pin is used as PWM output, the pull-up resistor must be externally added to retain the pin state to "H" during reset and after reset cancel.

After reset, when P80 to P83 pins are used as PWM output, the output latch of P8 (#0008<sub>H</sub>) must be set to "1", subsequently P8CR (#0009<sub>H</sub>) must be set to the output mode.

(5) PWM output in STOP/SLOW/SLEEP modes

PWM outputs can output low level pulse in only NORMAL1 (or IDLE1) and NORMAL2 (or IDLE2) modes. When P80 to P83 are used as PWM outputs and the operation mode is transferred NORMAL1 mode to STOP1 mode or from NORMAL2 mode to STOP2 mode (or SLOW mode, SLEEP mode), the PWM pin always output "High".

Consequently, the lower level pulse can not be output. (PWMCR, PWMSR and PWMDBR are initialized in STOP, SLOW and SLEEP mode, additionally, the internal 12-bit counter, the data transfer buffer and the PWM data latch are initialized.)

In addition, when the operation mode is transferred from STOP1 mode to NORMAL1 mode, or from STOP2 (or SLOW, SLEEP mode) to NORMAL2 mode, the registers necessary for PWM output control must be initialized to output PWM pulse again, which is the same settings after reset. The PWM control register must be initialized according to the procedures mentioned in figure 2-68 (2).

(6) PWM output pulse stop

To output always "H" after  $T_M$  period ( $T_s(0)$  to  $T_s(15)$ ) of the PWM pulse which is being written is completed, "00<sub>H</sub>" must be written to the lower and the upper of PWMDBR according to the procedures mentioned in figure 2-68 (2) and the data transfer request command must be written. Note that the maximum time from the point at which "00<sub>H</sub>" is written until PWM pulse is always output by "H" is  $2^{13}/f_c$ .

(7) PWM output pulse abort ("H" is always output.)

To abort PWM output in the middle of PWM pulse output ("H" is always output), P8CR input mode must be set. Consequently, the PWM pin always outputs "H" by the pull-up resistor which is externally added.

When P8CR is set to the input mode without the external pull-up resistor, note that the pin becomes "High-Z".

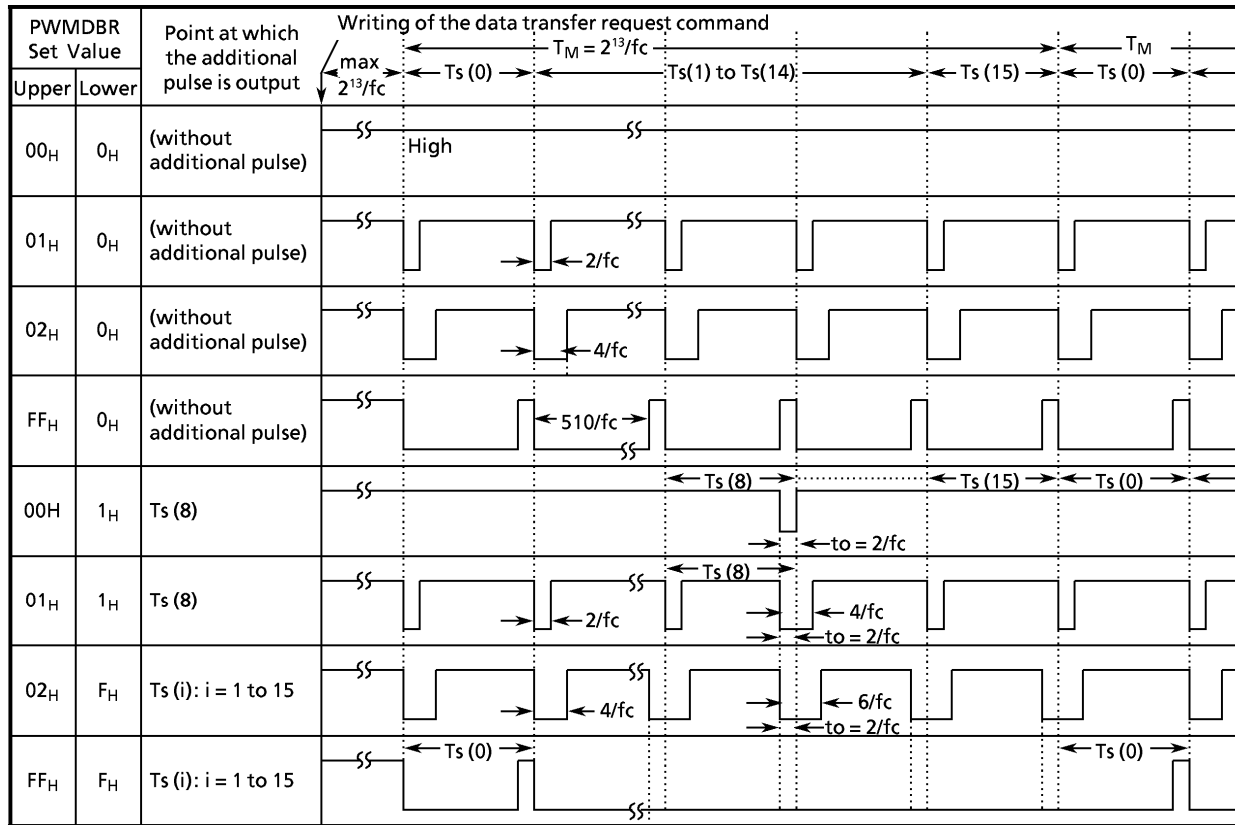


Figure 2-68 (3). PWM Output Pulse



### 2.12 10-Bit AD Converter (ADC)

The TMP87CH48/CM48 each have an 16-channel multiplexed-input 10-bit successive approximate type AD converter.

#### 2.12.1 Configuration

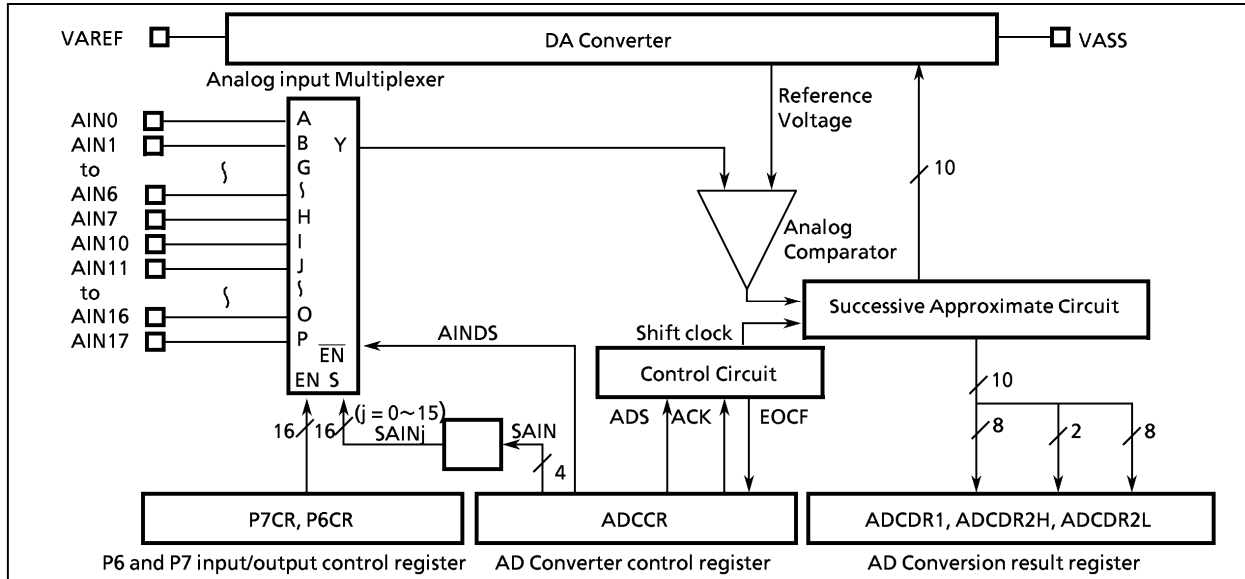


Figure 2-69. AD Converter

#### 2.12.2 Control

The AD converter is controlled by an AD converter control register (ADCCR), a port P6 input/output control register (P6CR) and a port P7 input/output control register (P7CR).

AD Converter Control Register											
		7	6	5	4	3	2	1	0		
ADCCR (000E <sub>H</sub> )		EOCF	ADS	ACK	AINDS	SAIN				(Initial value: 0000 0000)	
	SAIN	Analog input selection		0000: AIN0		1000: AIN10				R/W	
				0001: AIN1		1001: AIN11					
				0010: AIN2		1010: AIN12					
				0011: AIN3		1011: AIN13					
				0100: AIN4		1100: AIN14					
				0101: AIN5		1101: AIN15					
				0110: AIN6		1110: AIN16					
				0111: AIN7		1111: AIN17					
	AINDS	Analog input control		0: Enable		1: Disable				R/W	
	ACK	Conversion time		0: 196/fc: (at 8 MHz 24.5 μs). (at 4.2 MHz 46.7 μs)		1: 784/fc: (at 8 MHz 98 μs). (at 4.2 MHz 187 μs)					
	ADS	AD conversion start		0: -		1: AD conversion start					
	EOCF	End of AD conversion flag		0: Under conversion or before conversion		1: End of conversion				Read only	

Note 1: Select analog input when AD converter stops.  
 Note 2: The ADS is automatically cleared to "0" after starting conversion.  
 Note 3: The EOCF is cleared to "0" when reading the ADCDR1 or the ADCDR2H, ADCDR2L.  
 Note 4: The EOCF is read-only.

Figure 2-70. AD Converter Control Register

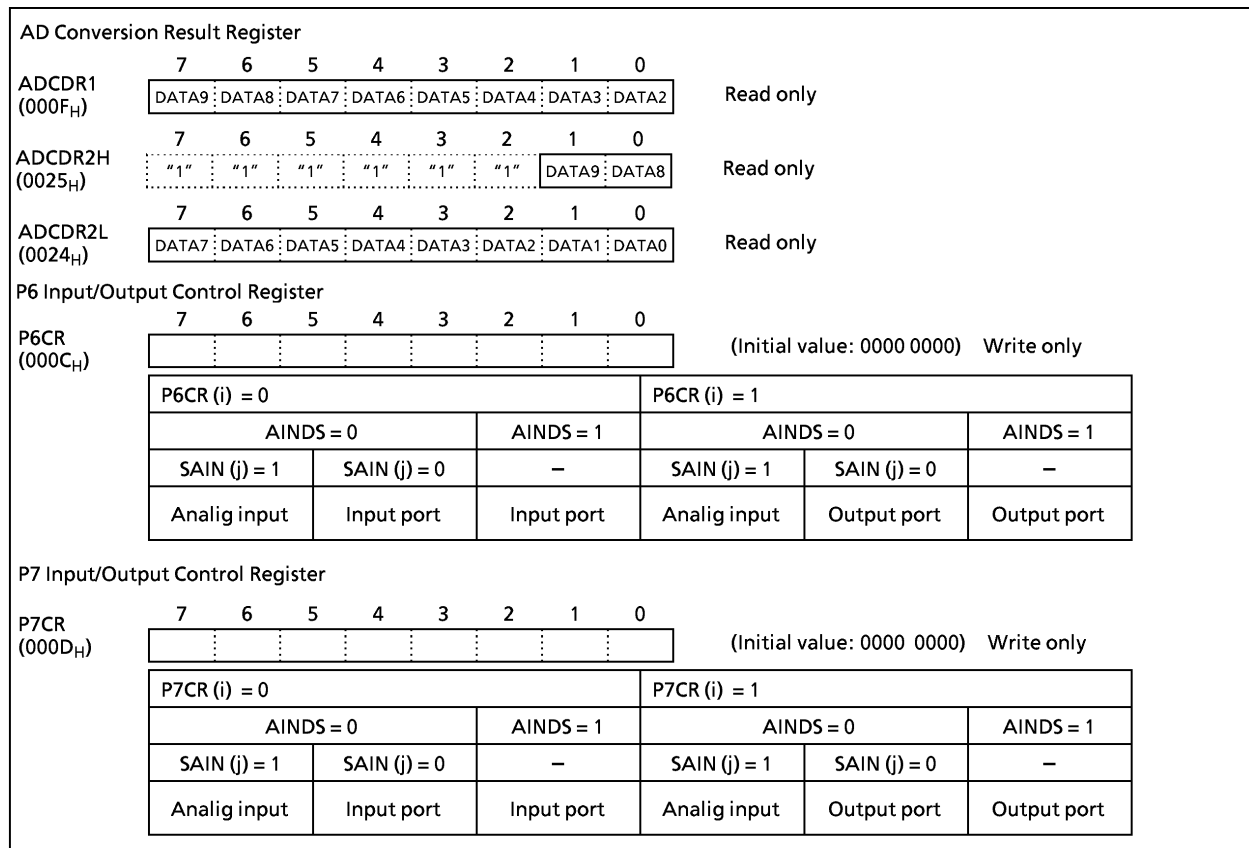


Figure 2-71. AD Converter Result Register and P6, P7 Input/Output Control Register

### 2.12.3 Operation

Apply analog reference voltage to pins VAREF and VASS.

*Note: The voltage value of VAREF should be kept the condition as below,*  
 $VAREF \leq VDD$

(1) Start of AD conversion

First, select one of sixteen analog inputs AIN17 to AIN10, AIN7 to AIN0 with the SAIN (Bits 3 to 0 in ADCCR), clear the AINDS (Bit 4 in ADCCR) to "0". Other ports, not be selected as an used as output ports, be careful not to execute the output instruction for any port during the conversion in order to keep the accuracy of conversion.

AD conversion time is set with the ACK (Bit 5 in ADCCR).

AD conversion is started by setting the ADS (Bit 6 in ADCCR) to "1". The conversion is accomplished in 49 machine cycles ( $196/f_c$  [s], ACK = 0).

The EOCF (Bit 7 in ADCCR) is set to "1" at the end of the conversion.

If the ADS (Bit 6 in ADCCR) is set to "1" during the conversion, the operation is initialized and the conversion is started again.

(2) Reading of AD conversion result

After the end of the conversion, read the conversion result from the ADCDR1 or the ADCDR2H, ADCDR2L.

The EOCF is automatically cleared to "0" when reading the ADCDR1 or the ADCDR2H, ADCDR2L.

Reading the conversion result during AD conversion, an unexpected value is given.

## (3) AD conversion in STOP mode

When the MCU places in the STOP mode during the AD conversion, the conversion is terminated and the ADCDR1 or ADCDR2H, ADCDR2L contents become indefinite.

However, if the STOP mode is started after the end of conversion (EOCF = 1), the ADCDR1 or the ADCDR2H, ADCDR2L contents are held.

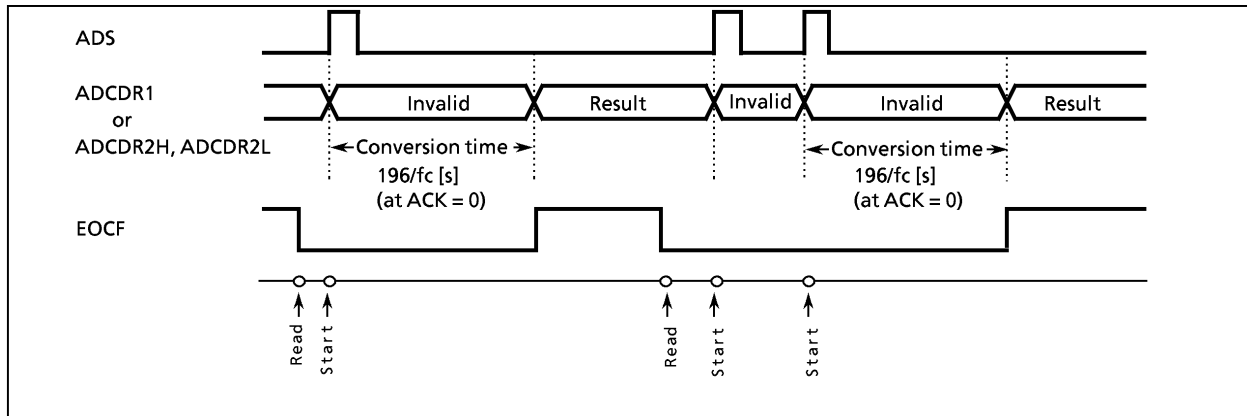


Figure 2-72. AD Conversion Timing Chart

## Example:

```

; AIN SELECT
LD      (ADCCR), 00100100B ; Selects conversion time and AIN4.
; AD CONVERT START
LD      (ADCCR). 01100100B ; ADS = 1
SLOOP: TEST  (ADCCR). 7 ; EOCF = 1 ?
JRS     T, SLOOP
; RESULT DATA READ
LD      (9EH), (ADCDR2H)
LD      (9DH), (ADCDR2L)

```

(4) Notes for the current consumption on the stop mode when using an AD converter

**Note 1:** Current consumption value ( $I_{DD}$ ) on stop mode on DC Characteristics chart is not including the value between  $V_{AREF} - V_{ASS}$  ( $I_{REF}$ ). TMP87CH48/CM48 and TMP87PH48/PM48 don't have function to cut current between  $V_{AREF} - V_{ASS}$  ( $I_{REF}$ ). To cut  $I_{REF}$  on stop mode, maintain  $V_{AREF}$  on open condition by external circuit, or same electrical potential of  $V_{ASS}$ .

**Note 2:** Turning to stop mode during the process of AD conversion (ADCCR EOCF = 0) aborts the operation though it does not cut electricity on analog comparator sometimes. Before turning to stop mode, check AD conversion end flag is "1". Moreover check EOCF after AD conversion is finished, and when EOCF turns to "1", read AD conversion values (ADCDR1, ADCR2H, ADCR2L) and turn to stop mode. Or if it has been turned to stop mode without reading AD conversion value, read them after stop mode has released since the values are maintained. Refer to flowchart 2-73 (a).

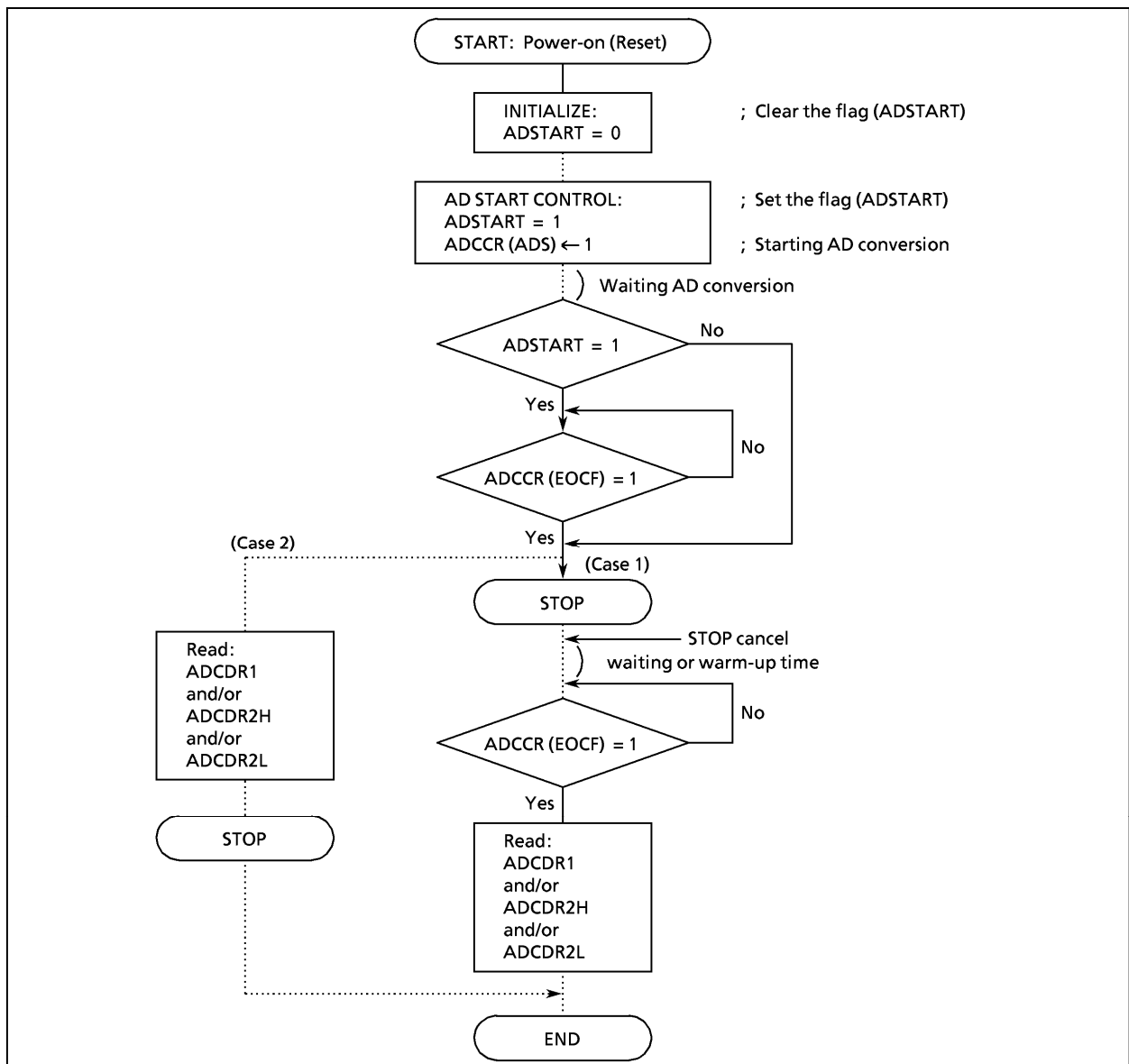


Figure 2-73. Example Flow Chart for STOP Mode Control in the AD Converter System

(5) The relation between analog input voltage and AD conversion result

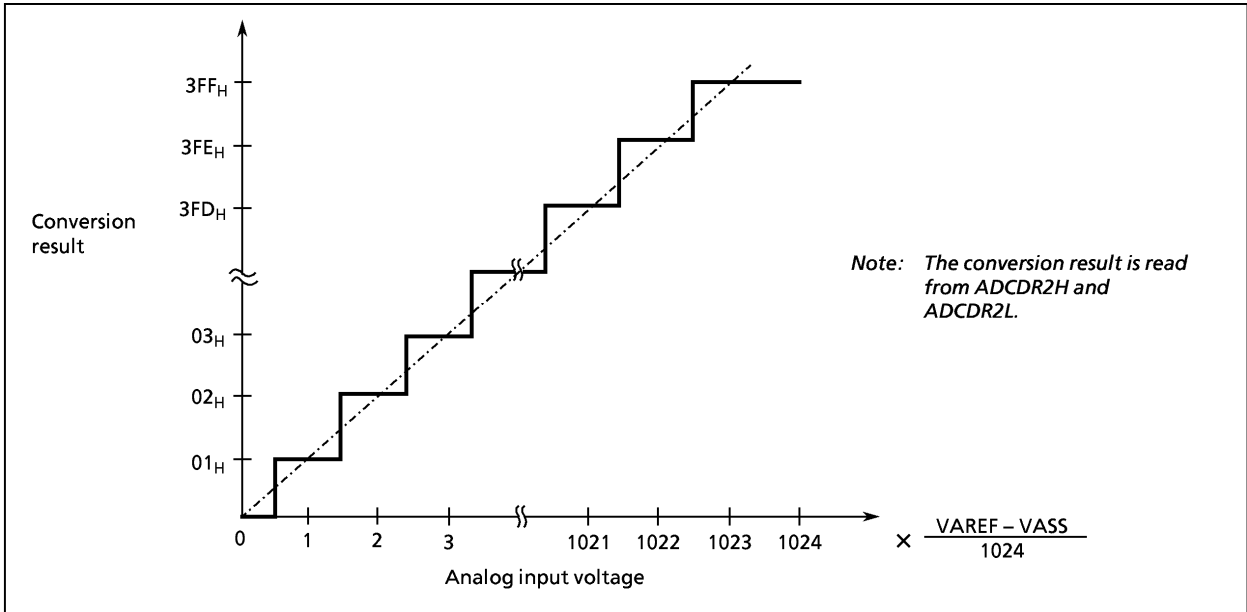


Figure2-73 (a). Analog Input Voltage vs AD Conversion Result (typ.)

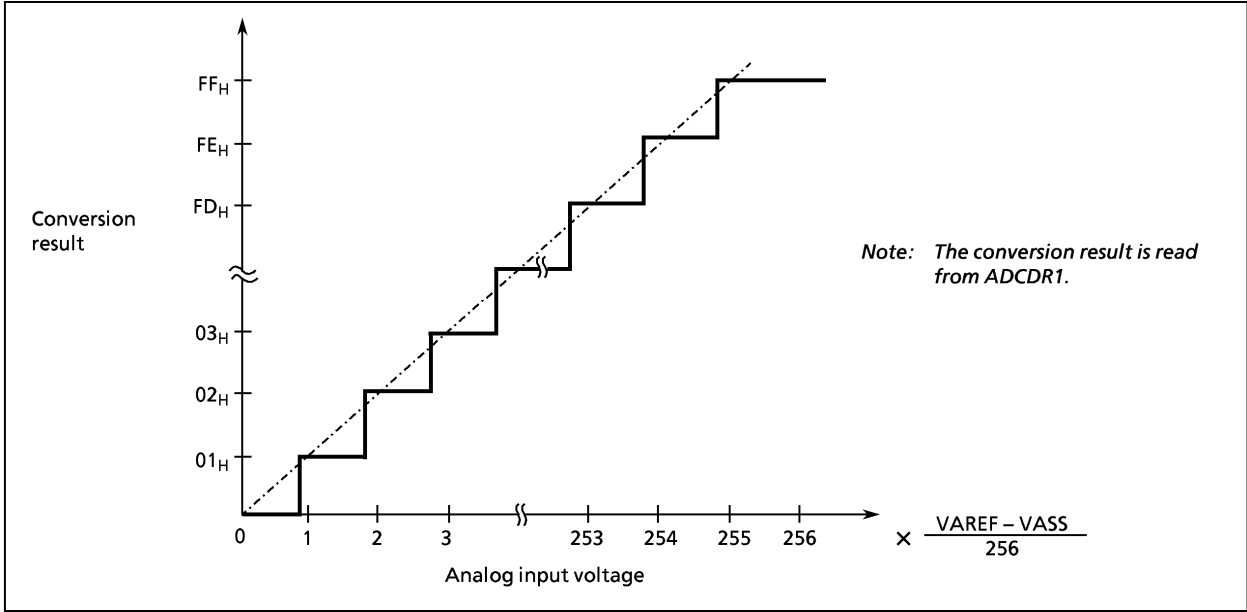


Figure2-73 (b). Analog Input Voltage vs AD Conversion Result (typ.)

### Mask options for ES products

#### 1) NM1/NM2 mask option

For the TMP87CH48/CM48 and TMP87PH48/PM48, only "NM1" products are available. A mask option cannot specify the initial value of XTEN (Bit 6 of the SYSCR2) upon reset.

The TMP87CH48/CM48 and TMP87PH48/PM48 enter single clock mode upon reset ("NM1").

To use the device in dual clock mode, after a reset, execute the "SET (SYSCR2).XTEN" instruction to start low-frequency oscillation.

Specify "NM1" when ordering an ES product.

Mask option code	XTEN (bit 6 of SYSCR2)	Operation Mode after RESET
NM1	0	Single clock mode (NORMAL1)

#### 2) I/O code mask option

The TMP87CH48/CM48 and TMP87PH48/PM48 only support "A" as the I/O port option code (I/O code). Other I/O codes are not available.

Specify the I/O code "A" when ordering a masked ROM version (TMP87CH48/CM48U) as an ES product.

Input/Output Circuitry

The instruction for specifying Masking Option (I/O code) in ES Order Sheet is described in additional information "Notice for Masking Option of TLC87-870 series" section 8.

(1) Control pins

The input/output circuitries of the TMP87CH48/CM48 control pins are shown below.

Control Pin	I/O	Input/Output Circuitry	Remarks
XIN XOUT	Input Output		Resonator connecting pins (High frequency) $R_f = 1.2\text{ M}\Omega$ (typ.) $R_O = 1.5\text{ k}\Omega$ (typ.)
XTIN XTOUT	Input Output		XTIN, XTOUT Resonator connecting pins (Low frequency) $R_f = 6\text{ M}\Omega$ (typ.) $R_O = 220\text{ k}\Omega$ (typ.)  XTEN (Initial: 0) SW (XTEN = 0: OFF) (XTEN = 1: ON)
P21 P22	I/O I/O		P21, P22 Sink open drain output Hysteresis input $R = 1\text{ k}\Omega$ (typ.)
RESET	I/O		Sink open drain output Hysteresis input  Pull-up resistor $R_{IN} = 220\text{ k}\Omega$ (typ.) $R = 1\text{ k}\Omega$ (typ.)
STOP/INT5 (P20)	I/O		Hysteresis input $R = 1\text{ k}\Omega$ (typ.)
TEST	Input		Pull-down resistor $R_{IN} = 70\text{ k}\Omega$ (typ.) $R = 1\text{ k}\Omega$ (typ.)

Note 1: The TMP87PH48/PM48 don't have a pull-down resistor ( $R_{IN}$ ) and a diode ( $D_1$ ) for TEST pin.  
 Note 2: The TMP87PH48/PM48/CH48/CM48 are placed in the single-clock mode during reset.

(2) Input/output ports

The input/output circuitries of the TMP87CH48/CM48 input/output ports are shown below.

Port	I/O	Input/Output Circuitry (I/O Code: A)	Remarks
P0 P6 P7 P8	I/O		Tri-state I/O  R = 1 kΩ (typ.)
P1	I/O		Tri-state I/O  Hysteresis input R = 1 kΩ (typ.)
P3	I/O		High current output only P3 Sink open drain output  R = 1 kΩ (typ.)
P4 P5	I/O		Sink open drain output  Hysteresis input R = 1 kΩ (typ.)



## Electrical Characteristics

## (1) TMP87CH48

## Absolute Maximum Ratings

(V<sub>SS</sub> = 0 V)

Parameter	Symbol	Conditions	Ratings	Unit
Supply voltage	V <sub>DD</sub>		- 0.3 to 6.5	V
Input voltage	V <sub>IN</sub>		- 0.3 to V <sub>DD</sub> + 0.3	V
Output voltage	V <sub>OUT</sub>		- 0.3 to V <sub>DD</sub> + 0.3	V
Output current (Per 1 pin)	I <sub>OUT1</sub>	Ports P0, P1, P2, P4, P5, P6, P7, P8	3.2	mA
	I <sub>OUT2</sub>	Port P3	30	
Output current (Total)	∑ I <sub>OUT1</sub>	Ports P0, P1, P2, P4, P5, P6, P7, P8	120	mA
	∑ I <sub>OUT2</sub>	Port P3	120	
Power dissipation	PD		350	mW
Soldering temperature (Time)	T <sub>sld</sub>		260 (10 s)	°C
Storage temperature	T <sub>stg</sub>		- 55 to 125	°C
Operating temperature	T <sub>opr</sub>		- 40 to 85	°C

Note: The absolute maximum ratings are rated values which must not be exceeded during operation, even for an instant. Any one of the ratings must not be exceeded. If any absolute maximum rating is exceeded, a device may break down or its performance may be degraded, causing it to catch fire or explode resulting in injury to the user. Thus, when designing products which include this device, ensure that no absolute maximum rating value will ever be exceeded.

## Recommended Operating Conditions

(V<sub>SS</sub> = 0 V, T<sub>opr</sub> = - 40 to 85°C)

Parameter	Symbol	Pins	Conditions	Min	Max	Unit	
Supply voltage	V <sub>DD</sub>		fc = 8 MHz	NORMAL1/2 modes	4.5	5.5	V
				IDLE1/2 modes			
			fc = 4.2 MHz	NORMAL1/2 modes	2.7		
				IDLE1/2 modes			
			fs = 32.768 kHz	SLOW mode	2.0		
SLEEP mode							
	STOP mode						
Input high voltage	V <sub>IH1</sub>	Except hysteresis input	V <sub>DD</sub> ≥ 4.5 V	V <sub>DD</sub> × 0.70	V <sub>DD</sub>	V	
	V <sub>IH2</sub>	Hysteresis input		V <sub>DD</sub> × 0.75			
	V <sub>IH3</sub>			V <sub>DD</sub> < 4.5 V			V <sub>DD</sub> × 0.90
Input low voltage	V <sub>IL1</sub>	Except hysteresis input	V <sub>DD</sub> ≥ 4.5 V	0	V <sub>DD</sub> × 0.30	V	
	V <sub>IL2</sub>	Hysteresis input			V <sub>DD</sub> × 0.25		
	V <sub>IL3</sub>				V <sub>DD</sub> < 4.5 V		V <sub>DD</sub> × 0.10
Clock frequency	fc	XIN, XOUT	V <sub>DD</sub> = 4.5 to 5.5 V	0.4	8.0	MHz	
			V <sub>DD</sub> = 2.7 to 5.5 V		4.2		
	fs	XTIN, XTOUT		30.0	34.0	kHz	

Note 1: The recommended operating conditions for a device are operating conditions under which it can be guaranteed that the device will operate as specified. If the device is used under operating conditions other than the recommended operating conditions (Supply voltage, operating temperature range, specified AC/DC values etc.), malfunction may occur. Thus, when designing products which include this device, ensure that the recommended operating conditions for the device are always adhered to.

Note 2: The condition of clock frequency is in NORMAL1/2 modes and IDLE1/2 modes.

DC Characteristics		$(V_{SS} = 0\text{ V}, T_{opr} = -40\text{ to }85^{\circ}\text{C})$					
Parameter	Symbol	Pins	Conditions	Min	Typ.	Max	Unit
Hysteresis voltage	$V_{HS}$	Hysteresis inputs	$V_{DD} = 5.0\text{ V}$	-	0.9	-	V
Input current	$I_{IN1}$	TEST	$V_{DD} = 5.5\text{ V}$ $V_{IN} = 5.5\text{ V}/0\text{ V}$	-	-	$\pm 2$	$\mu\text{A}$
	$I_{IN2}$	Open drain ports, Tri-state ports					
	$I_{IN3}$	RESET, STOP					
Input resistance	$R_{IN2}$	RESET	$V_{DD} = 5.0\text{ V}$	100	220	450	$\text{k}\Omega$
Output leakage current	$I_{LO}$	Sink open drain ports	$V_{DD} = 5.5\text{ V}, V_{OUT} = 5.5\text{ V}$	-	-	2	$\mu\text{A}$
		Tri-state ports	$V_{DD} = 5.5\text{ V}, V_{OUT} = 5.5/0\text{ V}$	-	-	$\pm 2$	
Output high voltage	$V_{OH2}$	Tri-state ports	$V_{DD} = 4.5\text{ V}, I_{OH} = -0.7\text{ mA}$	4.1	-	-	V
Output low voltage	$V_{OL}$	Except for XOUT and P3	$V_{DD} = 4.5\text{ V}, I_{OL} = 1.6\text{ mA}$	-	-	0.4	mA
Output Low current	$I_{OL3}$	P3	$V_{DD} = 4.5\text{ V}, V_{OL} = 1.0\text{ V}$	-	20	-	mA
Supply current in NORMAL 1, 2 modes	$I_{DD}$		$V_{DD} = 5.5\text{ V}$ $V_{IN} = 5.3\text{ V}/0.2\text{ V}$ $f_c = 8\text{ MHz}$ $f_s = 32.768\text{ kHz}$	-	4.5	5.5	mA
Supply current in IDLE 1, 2 modes				-	2.5	4.0	mA
Supply current in NORMAL 1, 2 modes			$V_{DD} = 3.0\text{ V}, V_{IN} = 2.8\text{ V}/0.2\text{ V}$ $V_{IN} = 4.19\text{ MHz}$ $f_s = 32.768\text{ kHz}$	-	1.75	3.0	mA
Supply current in IDLE 1, 2 modes				-	1.25	2.0	mA
Supply current in SLOW mode			$V_{DD} = 3.0\text{ V}$ $V_{IN} = 2.8\text{ V}/0.2\text{ V}$	-	20	30	$\mu\text{A}$
Supply current in SLEEP mode			$f_s = 32.768\text{ kHz}$	-	10	20	$\mu\text{A}$
Supply current in STOP mode			$V_{DD} = 5.5\text{ V}$ $V_{IN} = 5.3\text{ V}/0.2\text{ V}$	-	0.5	10	$\mu\text{A}$

Note 1: Typical values show those at  $T_{opr} = 25^{\circ}\text{C}$   
 Note 2: Input Current  $I_{IN1}, I_{IN3}$ ; The current through resistor is not included, when the input resistor (pull-up or pull-down) is contained.  
 Note 3:  $I_{DD}$  except for  $I_{REF}$ .

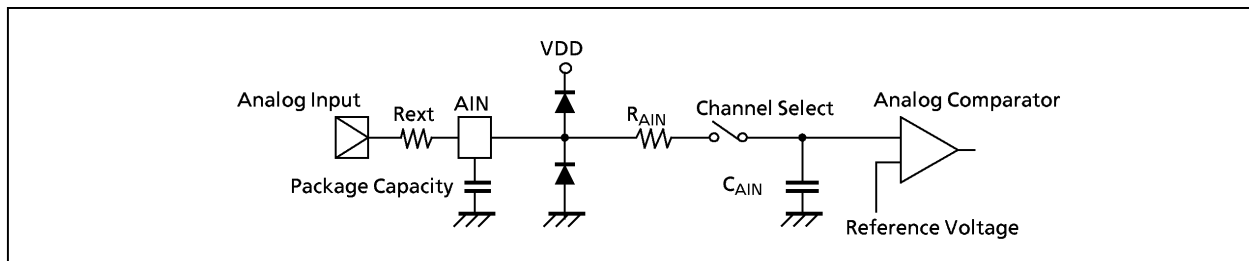
AD Conversion Characteristics		$(V_{SS} = 0\text{ V}, V_{DD} = 2.7\text{ to }5.5\text{ V}, T_{opr} = -40\text{ to }85^{\circ}\text{C})$						
Parameter	Symbol	Conditions	Min	Typ.	Max			Unit
					ADCDR1	ADCDR2		
					ACK = 0	ACK = 1		
Analog reference voltage	$V_{AREF}$	$V_{AREF} - V_{ASS} \geq 2.5\text{ V}$	2.7	-	$V_{DD}$			V
	$V_{ASS}$		$V_{SS}$	-	1.5			
Analog input voltage	$V_{AIN}$		$V_{ASS}$	-	$V_{AREF}$			V
Analog supply current	$I_{REF}$	$V_{AREF} = 5.5\text{ V},$ $V_{ASS} = 0.0\text{ V}$	-	0.5	1.2			mA
Nonlinearity error		$V_{DD} = 5.0, V_{SS} = 0.0\text{ V}$ $V_{AREF} = 5.000\text{ V}$ $V_{ASS} = 0.000\text{ V}$ or $V_{DD} = 2.7, V_{SS} = 0.0\text{ V}$ $V_{AREF} = 2.700\text{ V}$ $V_{ASS} = 0.000\text{ V}$	-	-	$\pm 1$	$\pm 3$	$\pm 2$	LSB
Zero point error			-	-	$\pm 1$	$\pm 3$	$\pm 2$	
Full scale error			-	-	$\pm 1$	$\pm 3$	$\pm 2$	
Total error			-	-	$\pm 2$	$\pm 6$	$\pm 4$	

Note 1:  $\Delta V_{AREF} = V_{AREF} - V_{ASS}$   
 ADCDR1: 8 bits – AD conversion result ( $1\text{LSB} = \Delta V_{AREF}/256$ )  
 ADCDR2: 10 bits – AD conversion result ( $1\text{LSB} = \Delta V_{AREF}/1024$ )  
 Note 2: Quantizing error is not contained in those errors.

AD Input Characteristics (Topr = -40 to 85°C)

Parameter	Symbol	Conditions	Min	Typ.	Max	Unit
Input impedance (Resistance)	$R_{AIN}$	$V_{DD} = 5.0\text{ V}$ , Conversion time $23\ \mu\text{s}$ ( $f_c = 8\text{ MHz}$ )	-	5	-	$\text{k}\Omega$
		$V_{DD} = 2.7\text{ V}$ , Conversion time $43.8\ \mu\text{s}$ ( $f_c = 4.2\text{ MHz}$ )	-	20	-	
Input impedance (Capacity)	$C_{AIN}$	$V_{DD} = 5.0\text{ V}$ , Conversion time $23\ \mu\text{s}$ ( $f_c = 8\text{ MHz}$ )	-	7	-	$\text{pF}$
		$V_{DD} = 2.7\text{ V}$ , Conversion time $43.8\ \mu\text{s}$ ( $f_c = 4.2\text{ MHz}$ )	-	7	-	
Source impedance	$R_{ext}$	$V_{DD} = 5.0\text{ V}$ , Conversion time $23\ \mu\text{s}$ ( $f_c = 8\text{ MHz}$ )	-	-	5	$\text{k}\Omega$
		$V_{DD} = 2.7\text{ V}$ , Conversion time $43.8\ \mu\text{s}$ ( $f_c = 4.2\text{ MHz}$ )	-	-	5	

Note: Input current (Output leak current) error (Max  $\pm 2\ \mu\text{A}$ ) and quantizing error (Max  $\pm 4\text{LSB}$ ) for AD are contained.

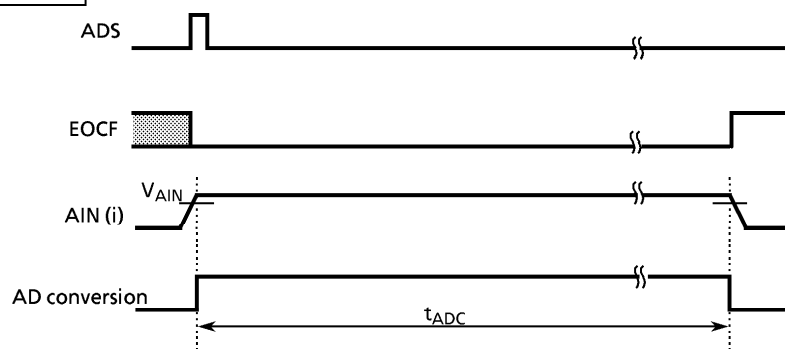


AD Pin Mode

AC Characteristics (V<sub>SS</sub> = 0 V, Topr = -40 to 85°C)

Parameter	Symbol	Conditions	V <sub>DD</sub>	Min	Typ.	Max	Unit
Machine cycle time	t <sub>cy</sub>	In NORMAL 1, 2 mode	4.5 to 5.5 V	0.5	-	10	μs
		In IDLE 1, 2 mode					
		In SLOW mode	2.7 to 5.5 V	117.6	-	133.3	
		In SLEEP mode					
High level clock pulse width	t <sub>WCH</sub>	For external clock operation (XIN input), f <sub>c</sub> = 8 MHz	4.5 to 5.5 V	62.5	-	-	ns
Low level clock pulse width	t <sub>WCL</sub>						
High level clock pulse width	t <sub>WSH</sub>	For external clock operation (XTIN input), f <sub>s</sub> = 32.768 kHz	2.7 to 5.5 V	14.7	-	-	μs
Low level clock pulse width	t <sub>WSL</sub>						
AD conversion time	t <sub>ADC</sub>	ADCCR bit 4 ; ACK = 0	-	-	49 t <sub>cy</sub>	-	ns
		ADCCR bit 4 ; ACK = 1	-	-	196 t <sub>cy</sub>	-	

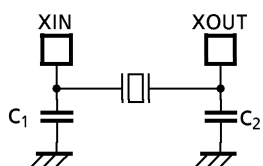
Timing of AD Conversion



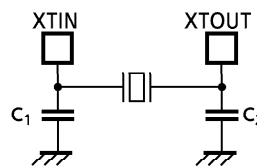
Note 1: During AD conversion, make the level of V<sub>AIN</sub> stable.  
 Note 2: i = 17 to 10, 07 to 00

Recommended Oscillating Conditions ( $V_{SS} = 0V$ ,  $Topr = -40$  to  $85^{\circ}C$ )

Parameter	Oscillator	Oscillation Frequency	VDD	Recommended Oscillator	Recommended Constant	
					C <sub>1</sub>	C <sub>2</sub>
High-frequency oscillation	Ceramic resonator	8 MHz	4.5 to 5.5 V	KYOCERA KBR8.0M	30 pF	30 pF
		4 MHz	2.7 to 5.5 V	KYOCERA KBR4.0MS MURATA CSA4.00MG		
	Crystal oscillator	8 MHz	4.5 to 5.5 V	TOYOCOM 210B 8.0000	20 pF	20 pF
		4 MHz	2.7 to 5.5 V	TOYOCOM 204B 4.0000		
Low-frequency oscillation	Crystal oscillator	32.768 kHz	2.7 to 5.5 V	NDK MX-38T	15 pF	15 pF



(1) High-frequency Oscillation



(2) Low-frequency Oscillation

**Note 1:** When it is used in high electrical field, an electrical shield of the package is recommended to retain normal operations.

**Note 2:** TOYAMA MURATA MFG. CO., LTD (JAPAN)

The product numbers and specifications of the resonators by Murata Manufacturing Co., Ltd. are subject to change.

For up-to-date information, please refer to the following URL;

<http://www.murata.co.jp/search/index.html>

## Electrical Characteristics

(2) TMP87CM48

## Absolute Maximum Ratings

(V<sub>SS</sub> = 0 V)

Parameter	Symbol	Conditions	Ratings	Unit
Supply voltage	V <sub>DD</sub>		- 0.3 to 6.5	V
Input voltage	V <sub>IN</sub>		- 0.3 to V <sub>DD</sub> + 0.3	V
Output voltage	V <sub>OUT</sub>		- 0.3 to V <sub>DD</sub> + 0.3	V
Output current (Per 1 pin)	I <sub>OUT1</sub>	Ports P0, P1, P2, P4, P5, P6, P7, P8	3.2	mA
	I <sub>OUT2</sub>	Port P3	30	
Output current (Total)	∑ I <sub>OUT1</sub>	Ports P0, P1, P2, P4, P5, P6, P7, P8	120	mA
	∑ I <sub>OUT2</sub>	Port P3	120	
Power dissipation	PD		350	mW
Soldering temperature (Time)	T <sub>sld</sub>		260 (10 s)	°C
Storage temperature	T <sub>stg</sub>		- 55 to 125	°C
Operating temperature	T <sub>opr</sub>		- 40 to 85	°C

Note: The absolute maximum ratings are rated values which must not be exceeded during operation, even for an instant. Any one of the ratings must not be exceeded. If any absolute maximum rating is exceeded, a device may break down or its performance may be degraded, causing it to catch fire or explode resulting in injury to the user. Thus, when designing products which include this device, ensure that no absolute maximum rating value will ever be exceeded.

## Recommended Operating Conditions

(V<sub>SS</sub> = 0 V, T<sub>opr</sub> = - 40 to 85°C)

Parameter	Symbol	Pins	Conditions	Min	Max	Unit	
Supply voltage	V <sub>DD</sub>		fc = 8 MHz	NORMAL1/2 modes	4.5	5.5	V
				IDLE1/2 modes			
			fc = 4.2 MHz	NORMAL1/2 modes	2.7		
				IDLE1/2 modes			
			fs = 32.768 kHz	SLOW mode	2.0		
SLEEP mode							
Input high voltage	V <sub>IH1</sub>	Except hysteresis input	V <sub>DD</sub> ≥ 4.5 V	V <sub>DD</sub> × 0.70	V <sub>DD</sub>	V	
	V <sub>IH2</sub>	Hysteresis input		V <sub>DD</sub> × 0.75			
	V <sub>IH3</sub>			V <sub>DD</sub> < 4.5 V			V <sub>DD</sub> × 0.90
Input low voltage	V <sub>IL1</sub>	Except hysteresis input	V <sub>DD</sub> ≥ 4.5 V	0	V <sub>DD</sub> × 0.30	V	
	V <sub>IL2</sub>	Hysteresis input			V <sub>DD</sub> × 0.25		
	V <sub>IL3</sub>				V <sub>DD</sub> < 4.5 V		V <sub>DD</sub> × 0.10
Clock frequency	fc	XIN, XOUT	V <sub>DD</sub> = 4.5 to 5.5 V	0.4	8.0	MHz	
			V <sub>DD</sub> = 2.7 to 5.5 V		4.2		
	fs	XTIN, XTOUT		30.0	34.0	kHz	

Note 1: The recommended operating conditions for a device are operating conditions under which it can be guaranteed that the device will operate as specified. If the device is used under operating conditions other than the recommended operating conditions (supply voltage, operating temperature range, specified AC/DC values etc.), malfunction may occur. Thus, when designing products which include this device, ensure that the recommended operating conditions for the device are always adhered to.

Note 2: The condition of clock frequency is in NORMAL1/2 modes and IDLE1/2 modes.

DC Characteristics		$(V_{SS} = 0\text{ V}, T_{opr} = -40\text{ to }85^\circ\text{C})$					
Parameter	Symbol	Pins	Conditions	Min	Typ.	Max	Unit
Hysteresis voltage	$V_{HS}$	Hysteresis inputs	$V_{DD} = 5.0\text{ V}$	-	0.9	-	V
Input current	$I_{IN1}$	TEST	$V_{DD} = 5.5\text{ V}$ $V_{IN} = 5.5\text{ V}/0\text{ V}$	-	-	$\pm 2$	$\mu\text{A}$
	$I_{IN2}$	Open drain ports, Tri-state ports					
	$I_{IN3}$	RESET, STOP					
Input resistance	$R_{IN2}$	RESET	$V_{DD} = 5.0\text{ V}$	100	220	450	$\text{k}\Omega$
Output leakage current	$I_{LO}$	Sink open drain ports	$V_{DD} = 5.5\text{ V}, V_{OUT} = 5.5\text{ V}$	-	-	2	$\mu\text{A}$
		Tri-state ports	$V_{DD} = 5.5\text{ V}, V_{OUT} = 5.5/0\text{ V}$	-	-	$\pm 2$	
Output high voltage	$V_{OH2}$	Tri-state ports	$V_{DD} = 4.5\text{ V}, I_{OH} = -0.7\text{ mA}$	4.1	-	-	V
Output low voltage	$V_{OL}$	Except for XOUT and P3	$V_{DD} = 4.5\text{ V}, I_{OL} = 1.6\text{ mA}$	-	-	0.4	mA
Output low current	$I_{OL3}$	P3	$V_{DD} = 4.5\text{ V}, V_{OL} = 1.0\text{ V}$	-	20	-	mA
Supply current in NORMAL 1, 2 modes	$I_{DD}$		$V_{DD} = 5.5\text{ V}$ $V_{IN} = 5.3\text{ V}/0.2\text{ V}$ $f_c = 8\text{ MHz}$ $f_s = 32.768\text{ kHz}$	-	4.75	6.4	mA
Supply current in IDLE 1, 2 modes				-	3.25	4.65	mA
Supply current in NORMAL 1, 2 modes			$V_{DD} = 3.0\text{ V}, V_{IN} = 2.8\text{ V}/0.2\text{ V}$ $V_{IN} = 4.19\text{ MHz}$ $f_s = 32.768\text{ kHz}$	-	1.85	3.2	mA
Supply current in IDLE 1, 2 modes				-	1.35	2.2	mA
Supply current in SLOW mode			$V_{DD} = 3.0\text{ V}$ $V_{IN} = 2.8\text{ V}/0.2\text{ V}$	-	20	30	$\mu\text{A}$
Supply current in SLEEP mode			$f_s = 32.768\text{ kHz}$	-	10	20	$\mu\text{A}$
Supply current in STOP mode			$V_{DD} = 5.5\text{ V}$ $V_{IN} = 5.3\text{ V}/0.2\text{ V}$	-	0.5	10	$\mu\text{A}$

Note 1: Typical values show those at  $T_{opr} = 25^\circ\text{C}$   
 Note 2: Input Current  $I_{IN1}, I_{IN3}$ : The current through resistor is not included, when the input resistor (pull-up or pull-down) is contained.  
 Note 3:  $I_{DD}$  except for  $I_{REF}$ .

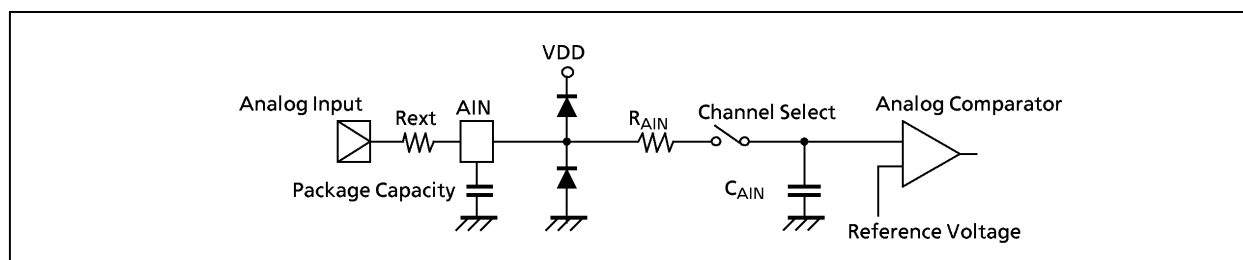
AD Conversion Characteristics		$(V_{SS} = 0\text{ V}, V_{DD} = 2.7\text{ to }5.5\text{ V}, T_{opr} = -40\text{ to }85^\circ\text{C})$						
Parameter	Symbol	Conditions	Min	Typ.	Max			Unit
					ADCDR1	ADCDR2		
					ACK = 0	ACK = 1		
Analog reference voltage	$V_{AREF}$	$V_{AREF} - V_{ASS} \geq 2.5\text{ V}$	2.7	-	$V_{DD}$			V
	$V_{ASS}$		$V_{SS}$	-	1.5			
Analog input voltage	$V_{AIN}$		$V_{ASS}$	-	$V_{AREF}$			V
Analog supply current	$I_{REF}$	$V_{AREF} = 5.5\text{ V},$ $V_{ASS} = 0.0\text{ V}$	-	0.5	1.2			mA
Nonlinearity error		$V_{DD} = 5.0, V_{SS} = 0.0\text{ V}$ $V_{AREF} = 5.000\text{ V}$ $V_{ASS} = 0.000\text{ V}$ or $V_{DD} = 2.7, V_{SS} = 0.0\text{ V}$ $V_{AREF} = 2.700\text{ V}$ $V_{ASS} = 0.000\text{ V}$	-	-	$\pm 1$	$\pm 3$	$\pm 2$	LSB
Zero point error	-		-	$\pm 1$	$\pm 3$	$\pm 2$		
Full scale error	-		-	$\pm 1$	$\pm 3$	$\pm 2$		
Total error	-		-	$\pm 2$	$\pm 6$	$\pm 4$		

Note 1:  $\Delta V_{AREF} = V_{AREF} - V_{ASS}$   
 ADCDR1: 8 bits – AD conversion result ( $1\text{LSB} = \Delta V_{AREF}/256$ )  
 ADCDR2: 10 bits – AD conversion result ( $1\text{LSB} = \Delta V_{AREF}/1024$ )  
 Note 2: Quantizing error is not contained in those errors.

AD Input Characteristics (Topr = -40 to 85°C)

Parameter	Symbol	Conditions	Min	Typ.	Max	Unit
Input impedance (Resistance)	$R_{AIN}$	$V_{DD} = 5.0\text{ V}$ , Conversion time $23\ \mu\text{s}$ ( $f_c = 8\text{ MHz}$ )	-	5	-	$\text{k}\Omega$
		$V_{DD} = 2.7\text{ V}$ , Conversion time $43.8\ \mu\text{s}$ ( $f_c = 4.2\text{ MHz}$ )	-	20	-	
Input impedance (Capacity)	$C_{AIN}$	$V_{DD} = 5.0\text{ V}$ , Conversion time $23\ \mu\text{s}$ ( $f_c = 8\text{ MHz}$ )	-	7	-	$\text{pF}$
		$V_{DD} = 2.7\text{ V}$ , Conversion time $43.8\ \mu\text{s}$ ( $f_c = 4.2\text{ MHz}$ )	-	7	-	
Source impedance	$R_{ext}$	$V_{DD} = 5.0\text{ V}$ , Conversion time $23\ \mu\text{s}$ ( $f_c = 8\text{ MHz}$ )	-	-	5	$\text{k}\Omega$
		$V_{DD} = 2.7\text{ V}$ , Conversion time $43.8\ \mu\text{s}$ ( $f_c = 4.2\text{ MHz}$ )	-	-	5	

Note: Input current (output leak current) error (Max  $\pm 2\ \mu\text{A}$ ) and quantizing error (Max  $\pm 4\text{LSB}$ ) for AD are contained.

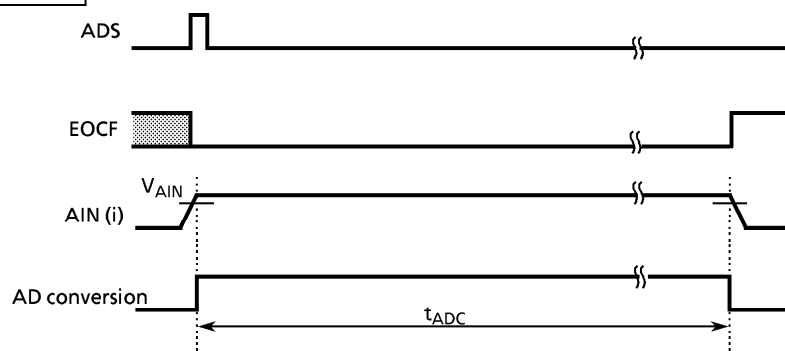


AD Pin Mode



AC Characteristics		(V <sub>SS</sub> = 0 V, Topr = -40 to 85°C)					
Parameter	Symbol	Conditions	V <sub>DD</sub>	Min	Typ.	Max	Unit
Machine cycle time	t <sub>cy</sub>	In NORMAL 1, 2 mode	4.5 to 5.5 V	0.5	-	10	μs
		In IDLE 1, 2 mode					
		In SLOW mode	2.7 to 5.5 V	117.6	-	133.3	
		In SLEEP mode					
High level clock pulse width	t <sub>WCH</sub>	For external clock operation (XIN input), f <sub>c</sub> = 8 MHz	4.5 to 5.5 V	62.5	-	-	ns
Low level clock pulse width	t <sub>WCL</sub>						
High level clock pulse width	t <sub>WSH</sub>	For external clock operation (XTIN input), f <sub>s</sub> = 32.768 kHz	2.7 to 5.5 V	14.7	-	-	μs
Low level clock pulse width	t <sub>WSL</sub>						
AD conversion time	t <sub>ADC</sub>	ADCCR bit 4; ACK = 0	-	-	49 t <sub>cy</sub>	-	ns
		ADCCR bit 4; ACK = 1	-	-	196 t <sub>cy</sub>	-	

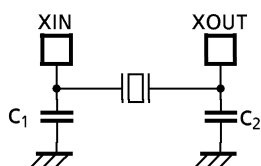
Timing of AD Conversion



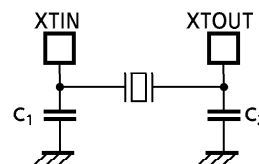
Note 1: During AD conversion, make the level of V<sub>A<sub>IN</sub></sub> stable.  
 Note 2: i = 17 to 10, 07 to 00

Recommended Oscillating Conditions ( $V_{SS} = 0V$ ,  $Topr = -40$  to  $85^{\circ}C$ )

Parameter	Oscillator	Oscillation Frequency	VDD	Recommended Oscillator	Recommended Constant	
					C <sub>1</sub>	C <sub>2</sub>
High-frequency Oscillation	Ceramic Resonator	8 MHz	4.5 to 5.5 V	KYOCERA KBR8.0M	30 pF	30 pF
		4 MHz	2.7 to 5.5 V	KYOCERA KBR4.0MS MURATA CSA4.00MG		
	Crystal Oscillator	8 MHz	4.5 to 5.5 V	TOYOCOM 210B 8.0000	20 pF	20 pF
		4 MHz	2.7 to 5.5 V	TOYOCOM 204B 4.0000		
Low-frequency Oscillation	Crystal Oscillator	32.768 kHz	2.7 to 5.5 V	NDK MX-38T	15 pF	15 pF



(1) High-frequency Oscillation



(2) Low-frequency Oscillation

**Note 1:** When it is used in high electrical field, an electrical shield of the package is recommended to retain normal operations.

**Note 2:** TOYAMA MURATA MFG. CO., LTD (JAPAN)

The product numbers and specifications of the resonators by Murata Manufacturing Co., Ltd. are subject to change.

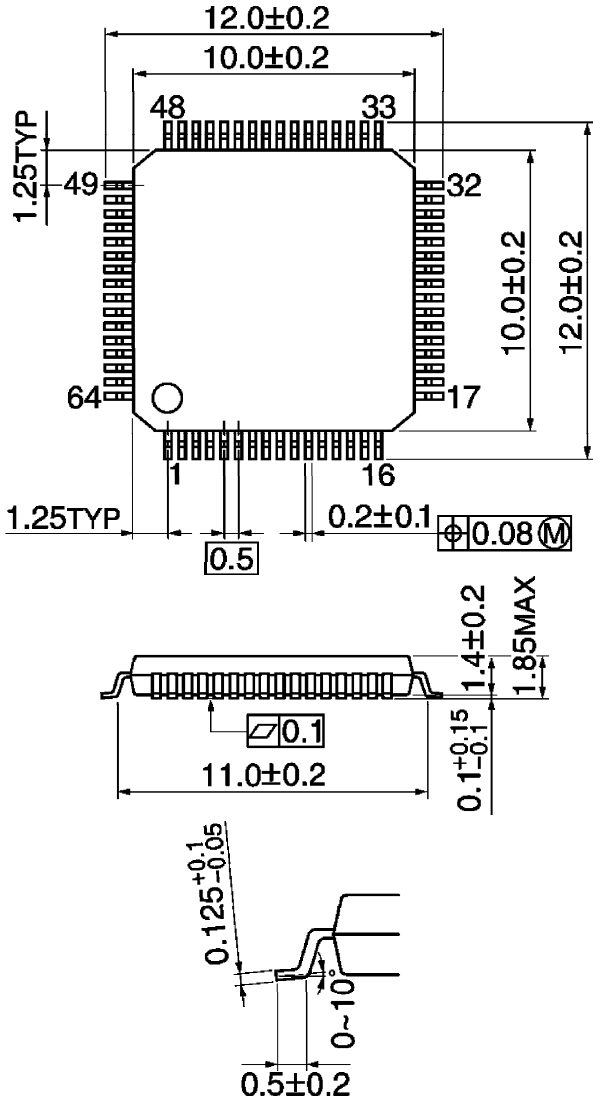
For up-to-date information, please refer to the following URL;

<http://www.murata.co.jp/search/index.html>

Package Dimensions

P-LQFP64-1010-0.50

Unit : mm



P-QFP64-1414-0.80A

Unit: mm

