

High Voltage Resistors
Type: HVR
Sizes: HVR 30, HVR 40, HVR 50



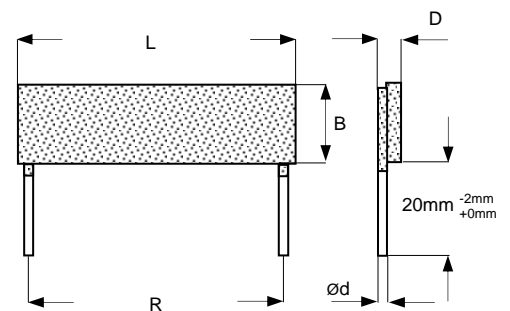
Features:

- High Voltage Resistors in Thickfilm
- Variable lead spacing by bending
- Resistance values up to 10 Teraohm
- Low values of TCR and VCR

Dimensions:

Size	L	B	D	R	d
HVR 30	30.0	6.0	1.4	27.5	0.40 ± 0.05
HVR 40	40.0	6.0	1.4	37.8	0.40 ± 0.05
HVR 50	50.0	12.5	1.4	47.8	0.40 ± 0.05

L = length, B = width, D = thickness, d = wire diameter (in mm),
R = standard lead spacing (other spacing possible by bending)
Tolerance of dimensions: ± 0.5 mm



Packaging:

Bulk in plastic bags or boxes
Minimum quantity: 30 pieces per value

Ordering data:

Type – value – tolerance – TCR – measuring voltage
Example: HVR 30 10G $\pm 10\%$ TCR100 20V

If no data for TCR and measuring voltage are supplied, the standard value (highest value in the table on next page) and measuring voltage of 10V is used.

High Voltage Resistors
Type: HVR
Sizes: HVR 30, HVR 40, HVR 50



Technical data – depending on size:

Size	HVR 30	HVR 40	HVR 50
Power rating P ₇₀ (W) (P ₁₂₅ = 0W)	1.0	1.2	3.0
Working voltage U ₋ , U _{eff} (V)	10 KV	20 KV	30 KV

Ranges / tolerances / TCR ¹⁾ / VCR ²⁾			
1M – 100M	0.25/.../10% TC 25/50/100 <2 ppm/V	0.25/.../10% TC 25/50/100 <1 ppm/V	0.25/.../10% TC 25/50/100 <1 ppm/V
>100M – 1G	1/2/5/10/20% TC 50/100/250 <5 ppm/V	1/2/5/10/20% TC 50/100/250 <2 ppm/V	1/2/5/10/20% TC 25/50/100 <1 ppm/V
>1G – 100G	5/10/20/30% TC 250/500 <20 ppm/V	5/10/20/30% TC 250/500 <10 ppm/V	5/10/20/30% TC 100/250 <5 ppm/V
>100G – 1T	5/10/20/30% TC 500/1000 <100 ppm/V	5/10/20/30% TC 500/1000 <50 ppm/V	5/10/20/30% TC 250/500 <25 ppm/V
>1T – 10T	–	–	10/20/30% TC 500/1000 <100 ppm/V

¹⁾ TCR 25/50: Temperature range +25°C...+85°C

²⁾ VCR measured between 10V and 100V

Closer values of tolerance, TCR and VCR, other dimensions or voltage dividers on request and agreement

General technical data:

Temperature range	-55°C ... +125°C
Climatic category to DIN IEC 60068	55/125/56
Humidity- / contact protection	Lacquer coating

Long term stability	≤10G	>10G
Storage 125°C/1000h	<1%	<2%
Max. voltage/1000h	<1%	<2%

Issue 09/04