

AsahiKASEI
ASAHI KASEI EMD

AK4121A

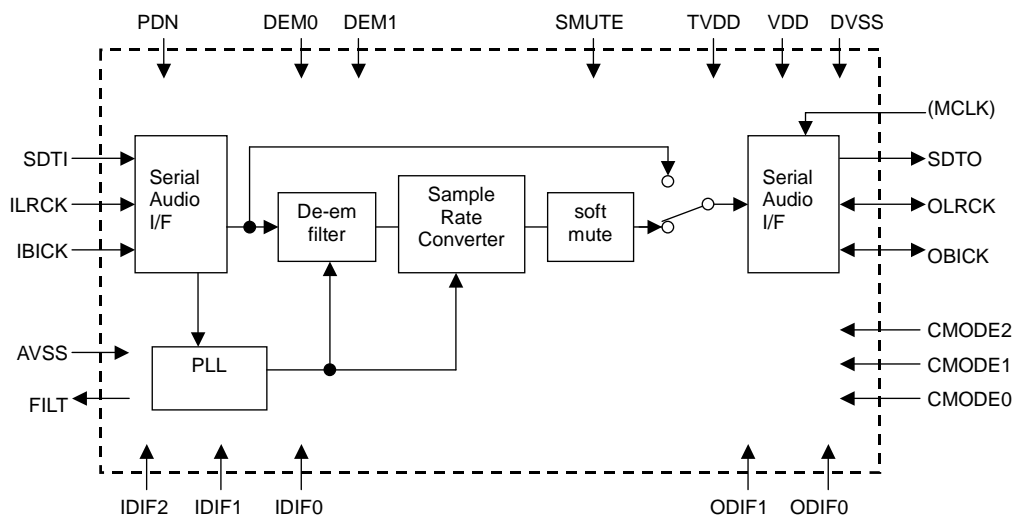
Asynchronous Sample Rate Converter

GENERAL DESCRIPTION

The AK4121A is a stereo asynchronous sample rate converter. The input sample rate ranges from 8kHz to 96kHz. The output sample rate is 32kHz, 44.1kHz, 48kHz or 96kHz. Since the internal PLL eliminates the need for a master clock in slave mode, the AK4121 simplifies the system design. Therefore, the AK4121A is suitable for applications requiring multiple sample rates, such as Car Audio, DVD recorders, and digital audio recording.

FEATURES

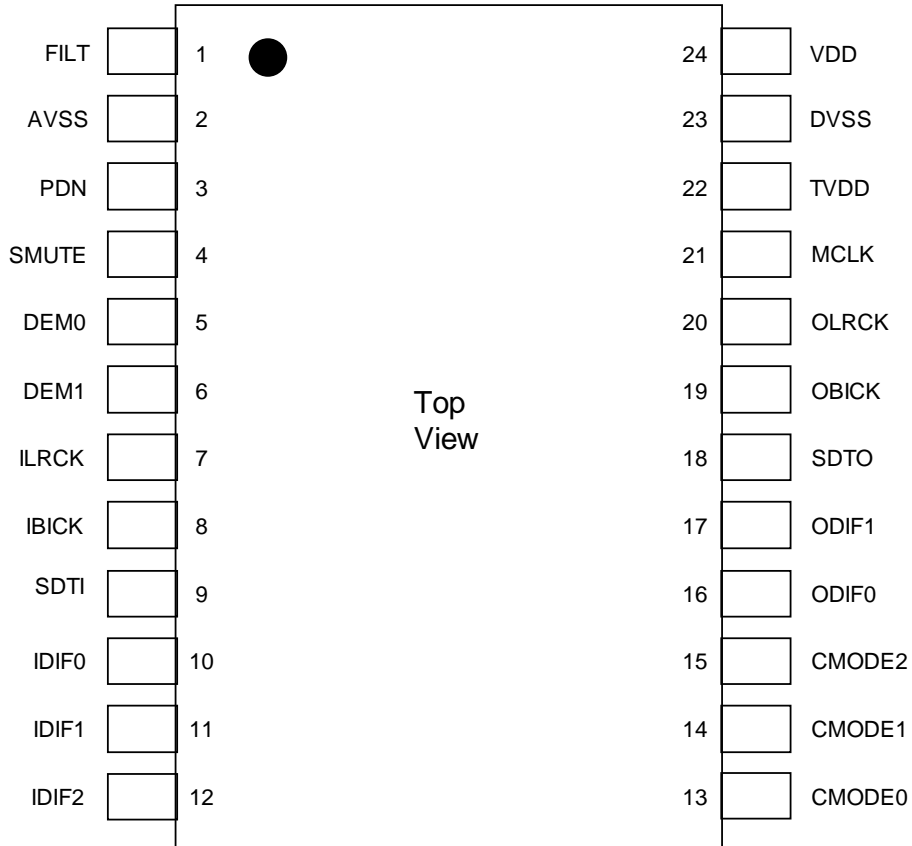
- Stereo asynchronous sample rate converter
- Input sample rate range (FSI): 8kHz to 96kHz
- Output sample rate (FSO): 32kHz/44.1kHz/48kHz/96kHz
- Input to output Sample rate ratio: FSO/FSI = 0.33 to 6
- THD+N: -113dB
- I/F format: MSB justified, LSB justified (24/20/16bit) and I²S
- Clock for Master mode: 256/384/512/768fso
- De-emphasis filter: 32kHz/44.1kHz/48kHz
- SRC Bypass mode
- Soft Mute function
- Power Supply: VDD: 3.0 to 3.6V, TVDD: 3.0 to 5.5V (for input tolerant)
- Ta: -40 to +85°C



■ Ordering Guide

AK4121AVF	-40 ~ +85°C	24pin VSOP (0.65mm pitch)
AKD4121A	Evaluation Board for AK4121A	

■ Pin Layout



■ Difference between AK4121 and AK4121A

The AK4121A has a better performance than the AK4121 regarding of the tracking capability to the change of the input sampling frequency (FSI) which normally takes long settling time. Refer to “Tracking to the Input Sampling Frequency”.

PIN/FUNCTION

No.	Pin Name	I/O	Function
1	FILT	O	Loop-Filter Pin for PLL
2	AVSS	I	Analog Ground Pin
3	PDN	I	Power-Down pin When "L", the AK4121A is powered-down and reset.
4	SMUTE	I	Soft Mute Pin
5	DEM0	I	De-emphasis Filter Control Pin #0
6	DEM1	I	De-emphasis Filter Control Pin #1
7	ILRCK	I	L/R Clock Pin for Input
8	IBICK	I	Audio Serial Data Clock Pin for Input
9	SDTI	I	Audio Serial Data Input Pin
10	IDIF0	I	Input Data Format pin #0
11	IDIF1	I	Input Data Format pin #1
12	IDIF2	I	Input Data Format pin #2
13	CMODE0	I	Clock Mode Select Pin #0
14	CMODE1	I	Clock Mode Select Pin #1
15	CMODE2	I	Clock Mode Select Pin #2
16	ODIF0	I	Output Data Format pin #0
17	ODIF1	I	Output Data Format pin #1
18	SDTO	O	Audio Serial Data Output Pin
19	OBICK	I/O	Audio Serial Data Clock Pin for Output
20	OLRCK	I/O	L/R Clock Pin for Output
21	MCLK	I	Master Clock Pin for Output
22	TVDD	I	Input Buffer Power Supply Pin, 3.3V or 5V
23	DVSS	I	Digital Ground Pin
24	VDD	I	Power Supply Pin, 3.3V

ABSOLUTE MAXIMUM RATINGS

(AVSS=DVSS=0V; Note 1)

Parameter	Symbol	min	max	Units
Power Supplies: Core	VDD	-0.3	4.6	V
	Input Buffer	TVDD	6.0	V
	AVSS-DVSS (Note 1)	Δ GND	0.3	V
Input Current, Any Pin Except Supplies	IIN	-	± 10	mA
Input Voltage	VIN	-0.3	TVDD+0.3	V
Ambient Temperature (Power applied)	Ta	-40	85	°C
Storage Temperature	Tstg	-65	150	°C

Note 1. All voltages with respect to ground.

WARNING: Operation at or beyond these limits may result in permanent damage to the device.

Normal operation is not guaranteed at these extremes.

RECOMMENDED OPERATING CONDITIONS

(AVSS=DVSS=0V; Note 2)

Parameter	Symbol	min	typ	max	Units
Power Supplies: Core	VDD	3.0	3.3	3.6	V
Input Buffer	TVDD	VDD	5	5.5	V

Note 2. All voltages with respect to ground.

SRC PERFORMANCE

(Ta=-40~85°C; VDD=3.0~3.6V; TVDD=3.0~5.5V; data=20bit; measurement bandwidth=20Hz~FSO/2; unless otherwise specified.)

Parameter	Symbol	min	typ	max	Units
Resolution				20	Bits
Input Sample Rate	FSI	8		96	kHz
Output Sample Rate	FSO	32		96	kHz
Dynamic Range (Input= 1kHz, -60dBFS, Note 3)	FSO/FSI=44.1kHz/48kHz	-	114	-	dB
	FSO/FSI=48kHz/44.1kHz	-	114	-	dB
	FSO/FSI=32kHz/48kHz	-	114	-	dB
	FSO/FSI=96kHz/32kHz	-	115	-	dB
	Worst Case (FSO/FSI=48kHz/96kHz)	112	-	-	dB
Dynamic Range (Input= 1kHz, -60dBFS, A-weighted, Note 3)	FSO/FSI=44.1kHz/48kHz	-	117	-	dB
	THD+N (Input= 1kHz, 0dBFS, Note 3)				
THD+N (Input= 1kHz, 0dBFS, Note 3)	FSO/FSI=44.1kHz/48kHz	-	-113	-	dB
	FSO/FSI=48kHz/44.1kHz	-	-112	-	dB
	FSO/FSI=32kHz/48kHz	-	-113	-	dB
	FSO/FSI=96kHz/32kHz	-	-111	-	dB
	Worst Case (FSO/FSI=48kHz/8kHz)	-	-	-103	dB
Ratio between Input and Output Sample Rate (FSO/FSI, Note 4, Note 5)	FSO/FSI	0.33		6	-

Note 3. Measured by Rohde & Schwarz UPD04, Rejection Filter= wide, 8192point FFT.

Note 4. The "0.33" is the ratio of FSO/FSI when FSI is 96kHz and FSO is 32kHz

Note 5. The "6" is the ratio when FSI is 8kHz and FSO is 48kHz.

DIGITAL FILTER

(Ta=-40~85°C; VDD=3.0~3.6V; TVDD=3.0~5.5V)

Parameter	Symbol	min	typ	max	Units	
Digital Filter						
Passband -0.001dB	$0.985 \leq \text{FSO/FSI} \leq 6.000$	PB	0		0.4583FSI	kHz
	$0.905 \leq \text{FSO/FSI} < 0.985$	PB	0		0.4167FSI	kHz
	$0.714 \leq \text{FSO/FSI} < 0.905$	PB	0		0.3195FSI	kHz
	$0.656 \leq \text{FSO/FSI} < 0.714$	PB	0		0.2852FSI	kHz
	$0.536 \leq \text{FSO/FSI} < 0.656$	PB	0		0.2245FSI	kHz
	$0.492 \leq \text{FSO/FSI} < 0.536$	PB	0		0.2003FSI	kHz
	$0.452 \leq \text{FSO/FSI} < 0.492$	PB	0		0.1781FSI	kHz
	$0.333 \leq \text{FSO/FSI} < 0.452$	PB	0		0.1092FSI	kHz
Stopband	$0.985 \leq \text{FSO/FSI} \leq 6.000$	SB	0.5417FSI			kHz
	$0.905 \leq \text{FSO/FSI} < 0.985$	SB	0.5021FSI			kHz
	$0.714 \leq \text{FSO/FSI} < 0.905$	SB	0.3965FSI			kHz
	$0.656 \leq \text{FSO/FSI} < 0.714$	SB	0.3643FSI			kHz
	$0.536 \leq \text{FSO/FSI} < 0.656$	SB	0.2974FSI			kHz
	$0.492 \leq \text{FSO/FSI} < 0.536$	SB	0.2732FSI			kHz
	$0.452 \leq \text{FSO/FSI} < 0.492$	SB	0.2510FSI			kHz
	$0.333 \leq \text{FSO/FSI} < 0.452$	SB	0.1822FSI			kHz
Passband Ripple	PR			±0.01	dB	
Stopband Attenuation	SA	96			dB	
Group Delay (Note 6)	GD	-	57.5	-	1/fs	

Note 6. This value is the time from the rising edge of LRCK after data is input to rising edge of LRCK after data is output, when LRCK for Output data corresponds with LRCK for Input.(at 20bit MSB justified, 16bit and 20bit LSB justified)

DC CHARACTERISTICS

(Ta=-40~85°C; VDD=3.0~3.6V; TVDD=3.0~5.5V)

Parameter	Symbol	min	typ	max	Units
Power Supply Current					
Normal operation:					
FSI=FSO=48kHz at Slave Mode: VDD=3.3V			10	-	mA
FSI=FSO=96kHz at Master Mode: VDD=3.3V			20	-	mA
: VDD=3.6V				40	mA
Power down: PDN = "L" (Note 7)			10	100	μA
High-Level Input Voltage	VIH	0.7xVDD	-	-	V
Low-Level Input Voltage	VIL	-	-	0.3xVDD	V
High-Level Output Voltage (Iout=-400μA)	VOH	VDD-0.4	-	-	V
Low-Level Output Voltage (Iout=400μA)	VOL	-	-	0.4	V
Input Leakage Current	Iin	-	-	± 10	μA

Note 7. All digital inputs including clock pins are held DVSS.

SWITCHING CHARACTERISTICS

(Ta=-40~85°C; VDD=3.0~3.6V; TVDD=3.0~5.5V; CL=20pF)

Parameter	Symbol	min	typ	max	Units
Master Clock Input (MCLK)					
Frequency	fCLK	8.192	-	36.864	MHz
Duty Cycle	dCLK	40	-	60	%
L/R clock for Input data (ILRCK)					
Frequency	fs	8		96	kHz
Duty Cycle	Duty	48	50	52	%
L/R clock for Output data (OLRCK)					
Frequency (Note 8)	fs	32		96	kHz
Duty Cycle Slave Mode	Duty	48	50	52	%
Duty Cycle Master Mode	Duty		50		%
Audio Interface Timing					
Input					
IBICK Period	tBCK	1/64fs			ns
IBICK Pulse Width Low	tBCKL	65			ns
IBICK Pulse Width High	tBCKH	65			ns
ILRCK Edge to IBICK “↑” (Note 9)					
ILRCK period (8kHz ~ 32kHz)	tBLR	1/256fs+45			ns
ILRCK period (32kHz ~ 48kHz)	tBLR	1/256fs+25			ns
ILRCK period (48kHz ~ 96kHz)	tBLR	1/256fs+15			ns
BICK “↑” to ILRCK Edge (Note 9)	tLRB	30			ns
SDTI Hold Time from IBICK “↑”	tSDH	30			ns
SDTI Setup Time to IBICK “↑”	tSDS	30			ns
Output (Slave Mode)					
OBICK Period	tBCK	1/64fs			ns
OBICK Pulse Width Low	tBCKL	65			ns
OBICK Pulse Width High	tBCKH	65			ns
OLRCK Edge to OBICK “↑” (Note 9)	tBLR	30			ns
OBICK “↑” to OLRCK Edge (Note 9)	tLRB	30			ns
OLRCK to SDTO (MSB)	tLRS			30	ns
OBICK “↓” to SDTO	tBSD			30	ns
Output (Master Mode)					
BICK Frequency	fBCK		64fs		Hz
BICK Duty	dBCK		50		%
BICK “↓” to LRCK	tMBLR	-20		20	ns
BICK “↓” to SDTO	tBSD	-20		30	ns
Power-down & Reset Timing					
PDN Pulse Width (Note 10)	tPD	150			ns

Note 8. Min is 8kHz when BYPASS=“H”.

Note 9. BICK rising edge must not occur at the same time as LRCK edge.

Note 10. The AK4121A must be reset by bringing PDN pin “H” to “L” upon power-up.

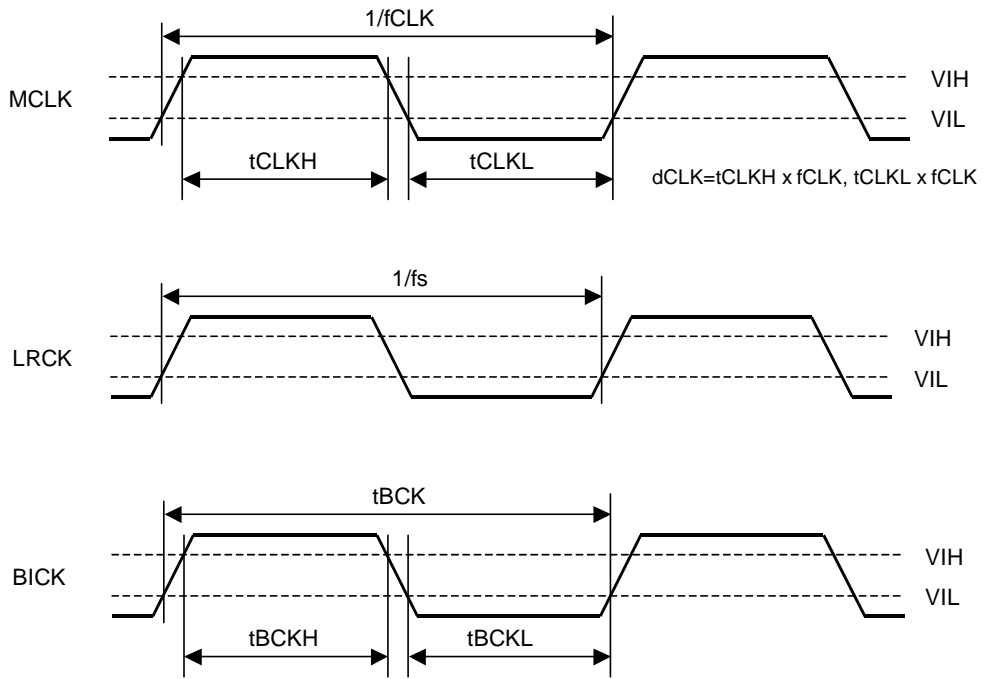
■ Timing Diagram


Figure 1. Clock Timing

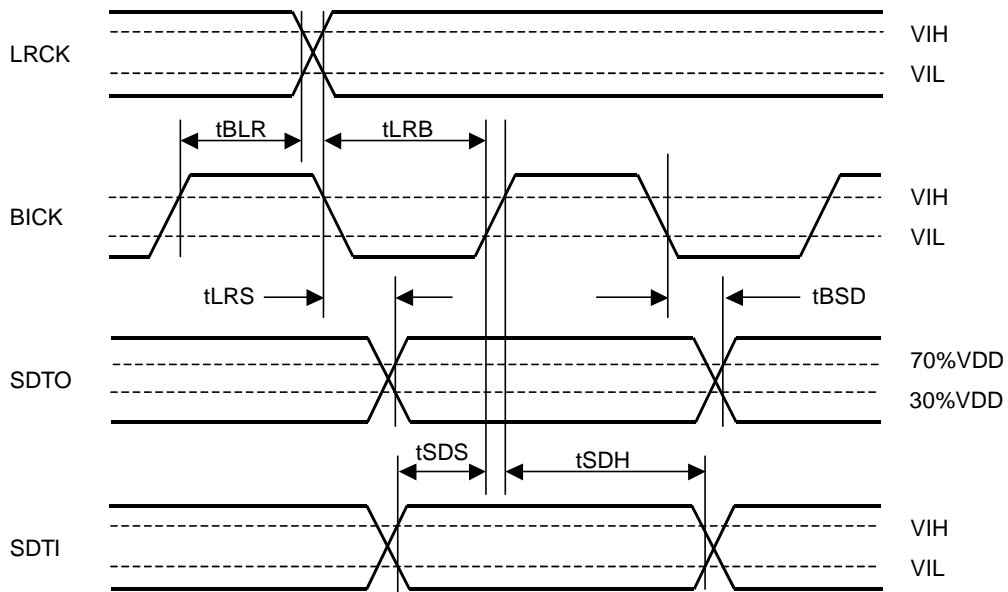


Figure 2. Audio Interface Timing at Slave Mode

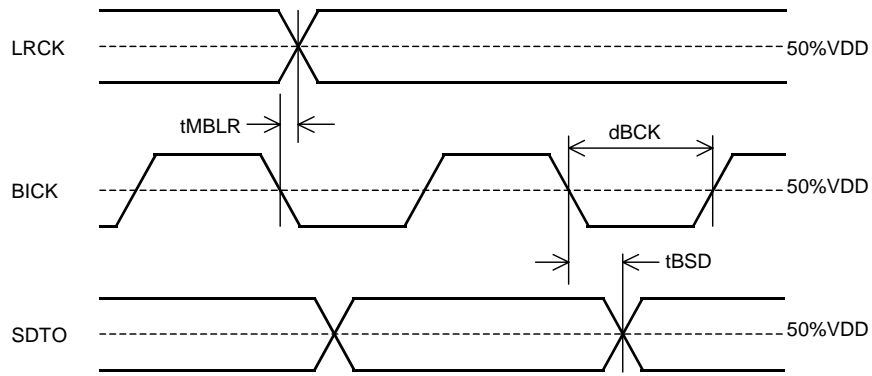


Figure 3. Audio Interface Timing at Master Mode

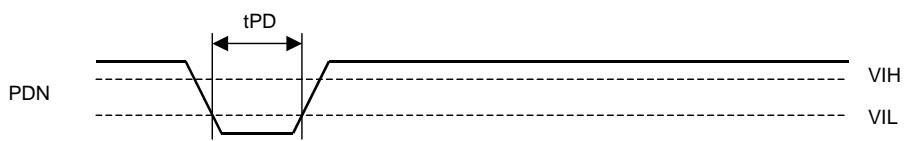


Figure 4. Power-down & Reset Timing

Note 11. BICK means IBICK and OBICK.

Note 12. LRCK means ILRCK and OLRCK.

OPERATION OVERVIEW

■ System Clock

The input port works in slave mode only. The output port works in slave and master mode. An internal system clock is created by the internal PLL using ILRCK. The MCLK is not needed when the output port is in slave mode, and the MCLK pin should be connected to DVSS. The CMODE2-0 pins must be controlled when PDN pin =“L”.

Mode	CMODE2	CMODE1	CMODE0	MCLK	Master/Slave (Output Port)
0	L	L	L	256fso (fso~96kHz)	Master
1	L	L	H	384fso (fso~96kHz)	Master
2	L	H	L	512fso (fso~48kHz)	Master
3	L	H	H	768fso (fso~48kHz)	Master
4	H	L	L	Not used. Set to DVSS	Slave
5	H	L	H	-	(Reserved)
6	H	H	L	-	(Reserved)
7	H	H	H	Not used. Set to DVSS	Master (BYPASS mode)

Table 1. Master/Slave control

■ Audio Interface Format

The IDIF2-0 pins select the data mode for the input port. The ODIF1-0 pins select the data mode for the output port. In all modes the audio data is MSB-first, 2's complement format. The SDTO is clocked out on the falling edge of OBICK. Select these modes when PDN pin="L". In BYPASS mode, both IBICK and OBICK are fixed to 64fs.

Mode	IDIF2	IDIF1	IDIF0	SDTI Format	IBICK (Slave)
0	L	L	L	16bit LSB Justified	≥32fs
1	L	L	H	20bit LSB Justified	≥40fs
2	L	H	L	20bit MSB Justified	≥40fs
3	L	H	H	20/16bit I ² S Compatible	≥40fs or 32fs
4	H	L	L	24bit LSB Justified	≥48fs

Table 2. Input Audio Data Formats

Mode	ODIF1	ODIF0	SDTO Format	OBICK (Slave)	OBICK (Master)
0	L	L	16bit LSB Justified	64fs	64fs
1	L	H	20bit LSB Justified	64fs	64fs
2	H	L	20/16bit MSB Justified	≥40fs or 32fs	64fs
3	H	H	20/16bit I ² S Compatible	≥40fs or 32fs	64fs

Table 3. Output Audio Data Formats

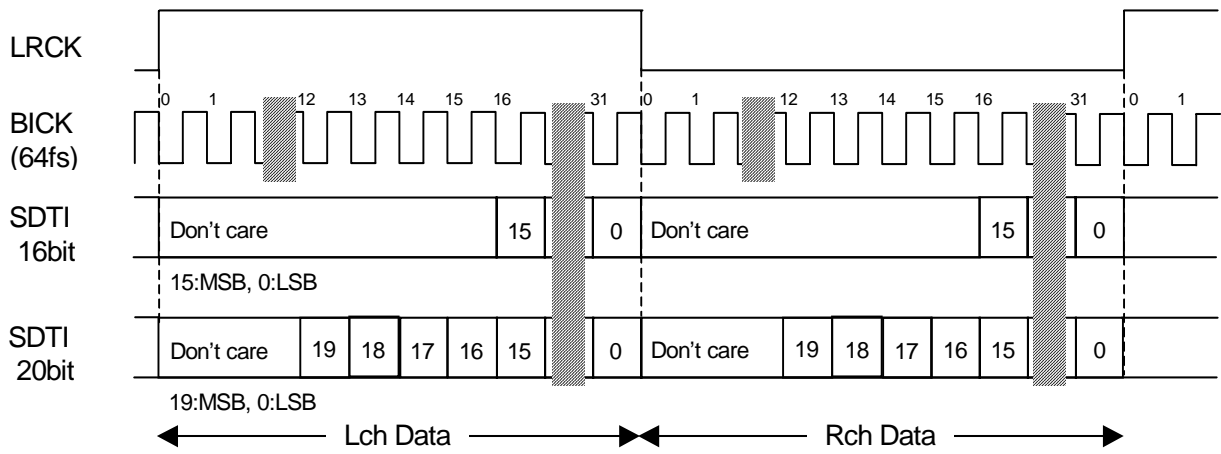


Figure 5. 16bit/20bit LSB justified Timing

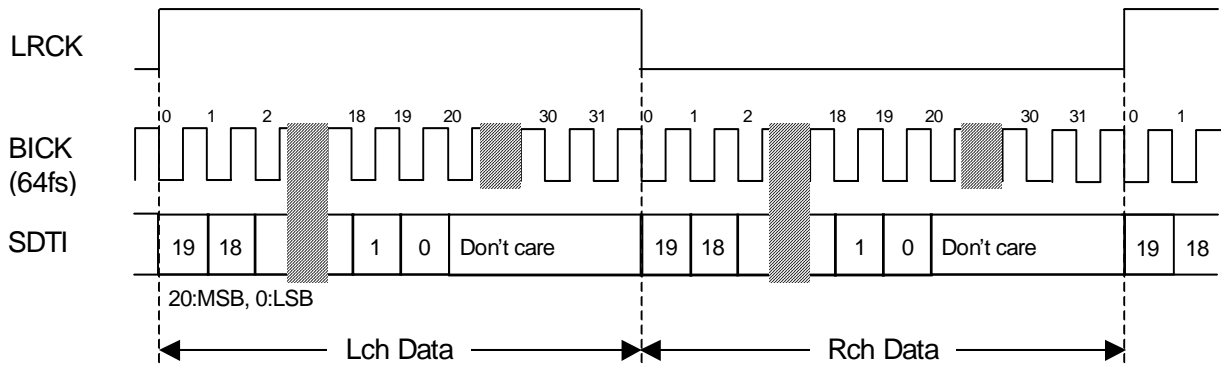


Figure 6. 20bit MSB justified Timing

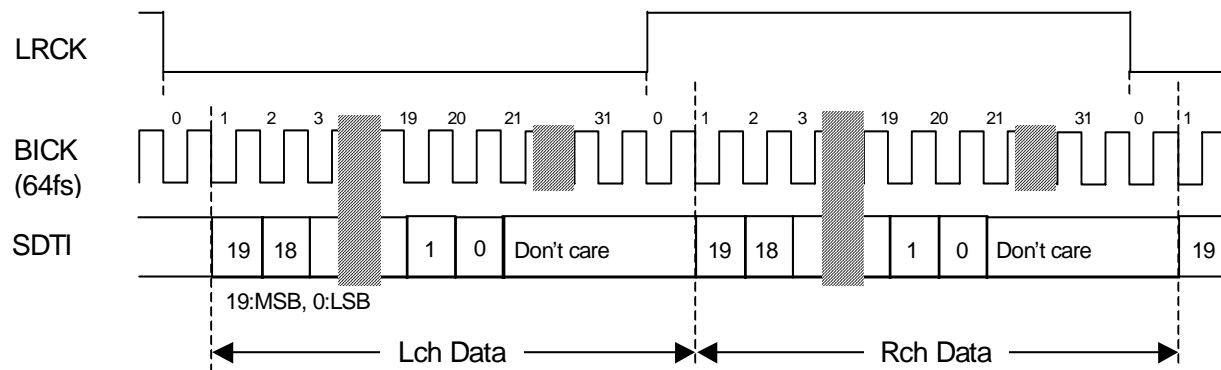
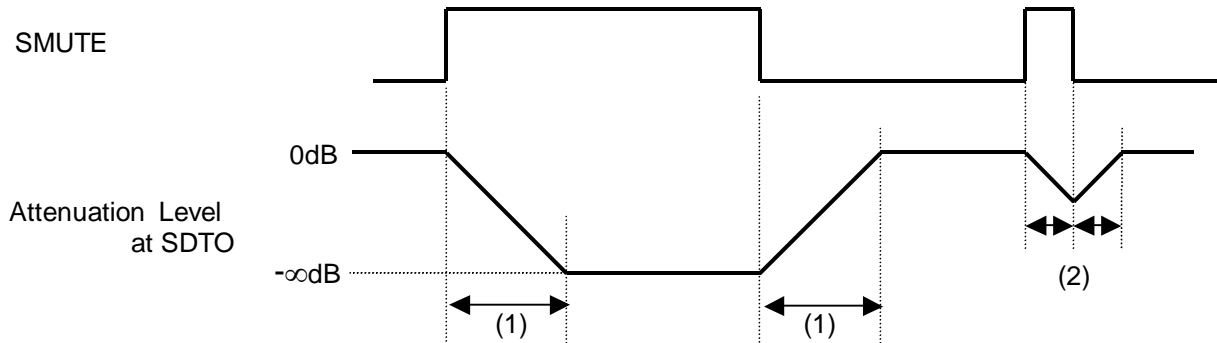


Figure 7. 20bit I²S Timing

■ Soft Mute Operation

When the SMUTE pin changes to “H”, the output signal is attenuated from 0dB to $-\infty$ dB during 1024 OLRCK cycles. When the SMUTE pin returns to “L”, the attenuation is cancelled and the output signal gradually changes to 0dB during 1024 OLRCK cycles. If the soft mute is cancelled before attenuating to $-\infty$, the attenuation is discontinued and returns to 0dB by the same cycles. The soft mute is effective for changing the signal source.



Notes:

- (1) Transition time. 1024 OLRCK cycles ($1024/f_{so}$).
- (2) If the soft mute is cancelled before attenuating to $-\infty$ after starting the operation, the attenuation is discontinued and returned to 0dB by the same number of clock cycles.

Figure 8. Soft Mute

■ De-emphasis Filter

A digital de-emphasis filter is available for 32, 44.1 or 48kHz sampling rates ($t_c=50/15\mu s$) and is enabled or disabled with DEM0 and DEM1.

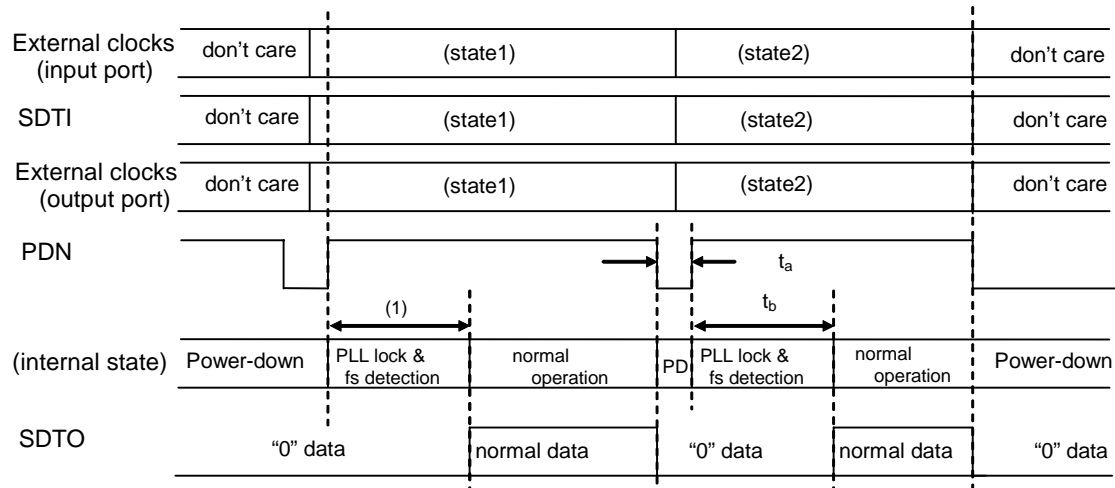
Mode	DEM1	DEM0	De-emphasis filter
0	L	L	44.1kHz
1	L	H	OFF
2	H	L	48kHz
3	H	H	32kHz

Table 4. De-emphasis Filter Control

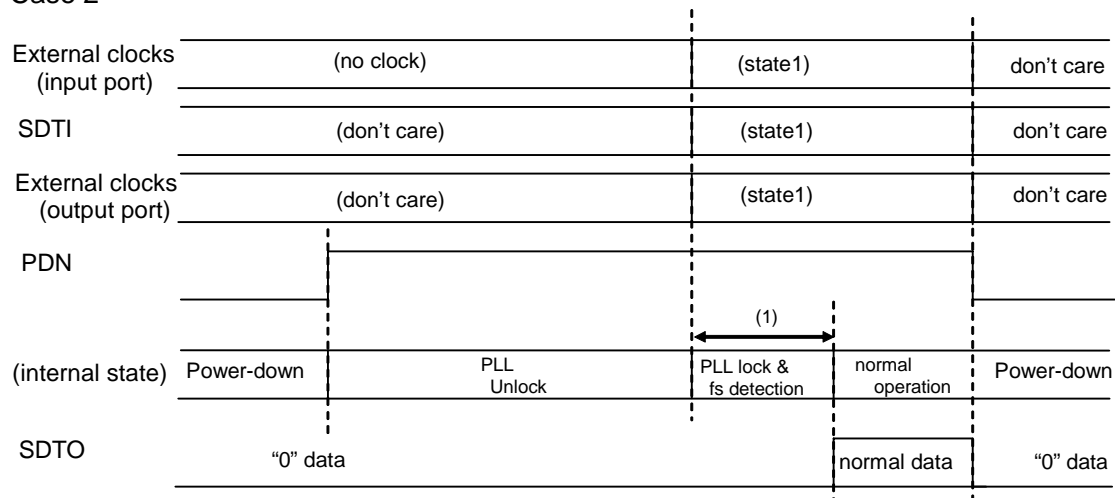
■ System Reset

Bringing the PDN pin="L" places the AK4121A in the power-down mode and initializes the digital filter. This reset should always be done after power-up. When the PDN pin = "L", the SDTO output is "L". Regarding the SDTO valid time, please refer to the Table 5. Until the output data becomes valid, the SDTO pin outputs "L".

Case 1



Case 2



Note:

(1) <100ms for recommended value 2, <200ms for recommended value 1. (Figure 11)

Figure 9. System Reset

Reset time t_a	Data valid time t_b
$\leq 10\text{ms}$	<100ms
$10\text{ms} <$	<200ms

Table 5. Reset time t_a and Data valid time t_b .

■ Internal Reset Function for Clock Change

The AK4121A is reset automatically when the output clock is stopped. If the output clock is started again, normal data is output within 100ms.

■ Sequence of changing clocks

The recommended sequence for changing clocks is shown in Figure 10.

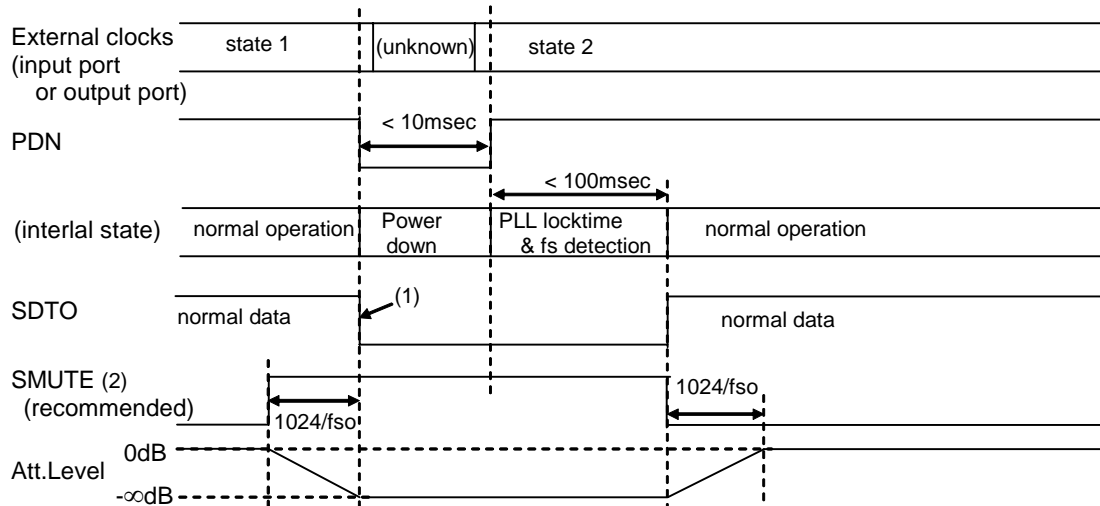


Figure 10. Sequence of changing clocks

Note:

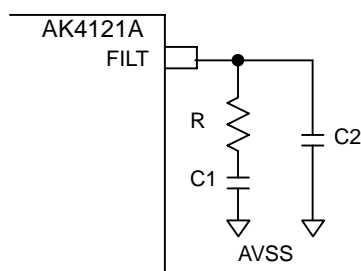
- (1) The data on SDTO may cause a clicking noise. To prevent this, set SDTI to “0” from GD before the PDN pin changes to “L”, which will cause the data on SDTO to remain “0”.
- (2) SMUTE can also be used to remove the unknown data.

■ Grounding and Power Supply Decoupling

The AK4121A requires careful attention to power supply and grounding arrangements. VDD are usually supplied from the system's analog supply. **AVSS and DVSS of the AK4121A must be connected to the analog ground plane.** System analog ground and digital ground should be connected together as close as possible to where the supplies are brought onto the printed circuit board. Decoupling capacitors especially a 0.1 μ F ceramic capacitor for high frequency noise should be placed as near to VDD as possible.

■ PLL Loop-Filter

The C1 (4.7 μ F) and R (560ohms) should be connected in series and attached between FILT pin and AVSS in parallel with C2 (1.0nF). A Care should be taken to ensure that noise on the FILT pin is minimized.



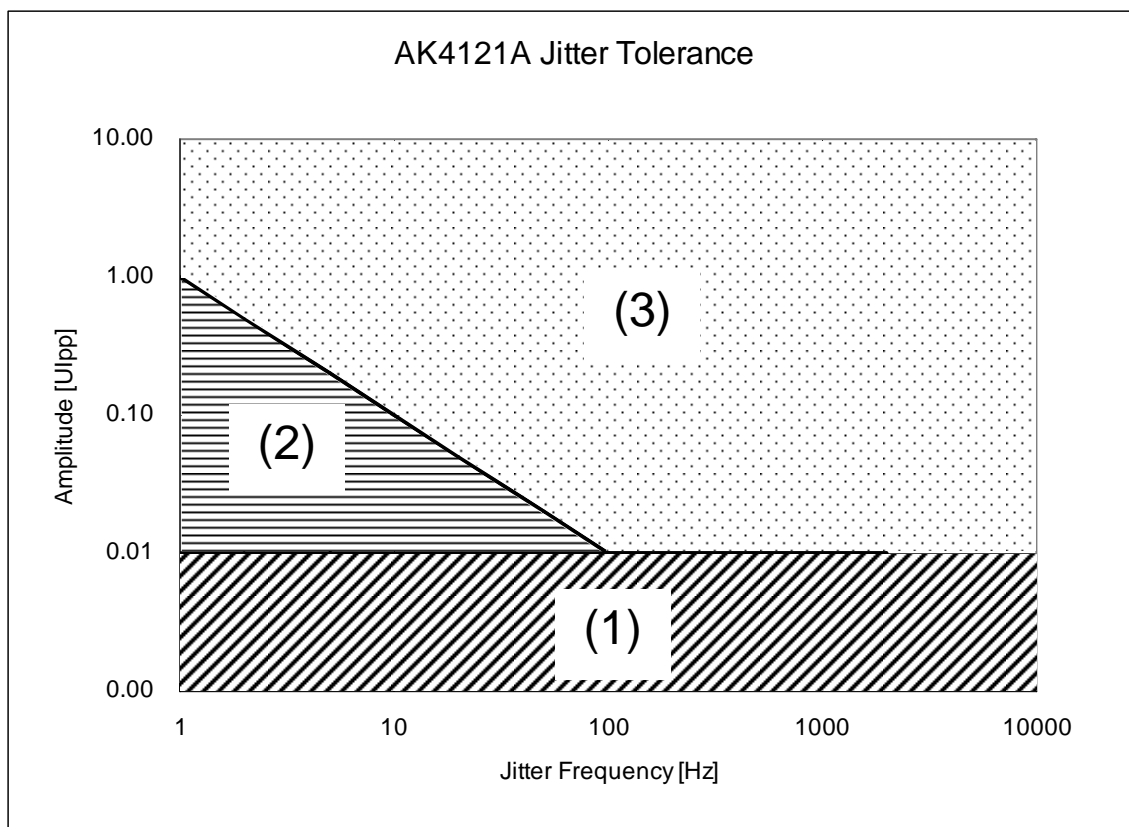
Parameter	Recommended value 1	Recommended value 2
R	560ohm +/-8%	1.2kohm +/-8%
C1	4.7 μ F +/-40%	2.2 μ F +/-40%
C2	1.0nF +/-40%	2.2nF +/-40%
FSI range	8k ~ 96kHz	16k ~ 96kHz

Note 13. Those recommended values include temperature dependence.

Figure 11. PLL Loop-Filter

■ Jitter Tolerance

Figure 12 shows the jitter tolerance to ILRCK. The jitter quantity is defined by the jitter frequency and the jitter amplitude shown in Figure 12. When the jitter amplitude is 0.01UIpp or less, the AK4121A operates normally regardless of the jitter frequency.



- (1) Normal operation
- (2) There is a possibility that the distortion degrades. (It may degrade up to about -50dB.)
- (3) There is a possibility that the output data is lost.

Note 14. The jitter amplitude for 1UI (Unit Interval) is one cycle of ILRCK. When FSI = 48kHz, 1UI is $1/48\text{kHz} = 20.8\mu\text{s}$.

Figure 12. Jitter Tolerance

■ Tracking to the Input Sampling Frequency

When the ILRCK is generated by an external PLL, it may take a time to settle after changing the input sampling frequency because the response of an external PLL to the frequency change is slow. In case of the AK4121, the output data becomes incorrect when the speed of the frequency change exceeds 0.14%/sec. The AK4121A operates normally up to 23%/sec speed and the output data becomes incorrect at the speed of the frequency change over 23%/sec.

SYSTEM DESIGN

Figure 13 and Figure 14 illustrate typical system connection diagrams. The evaluation board [AKD4121A] demonstrates this application circuit, the optimum layout, and power supply arrangement and performance measurement results.

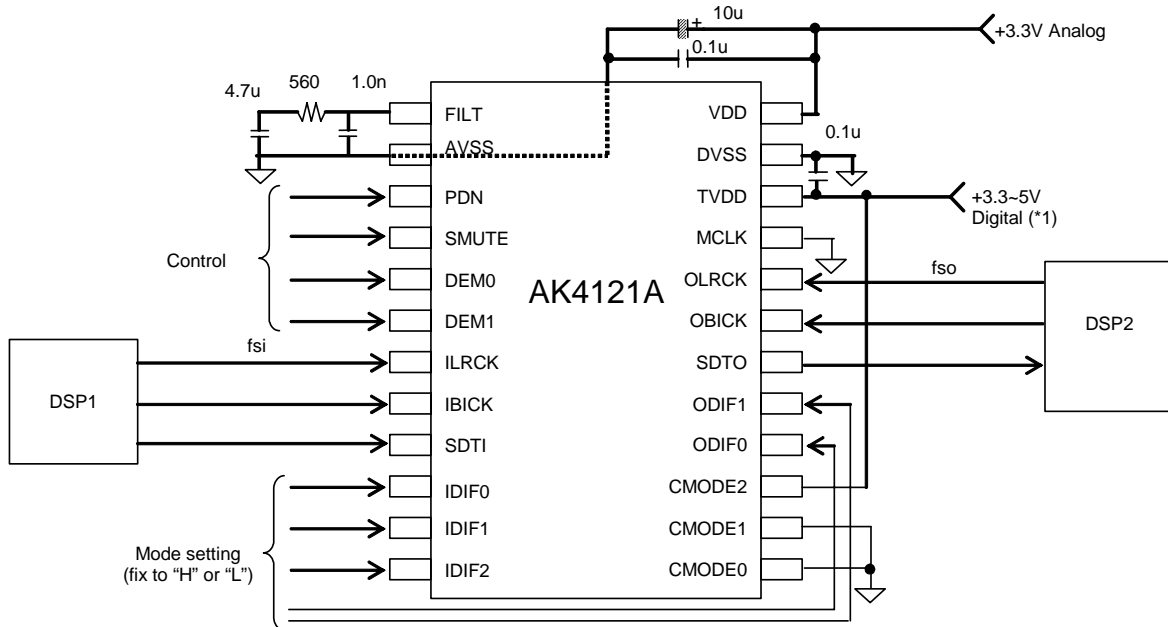


Figure 13. Example of a typical design (Slave Mode)

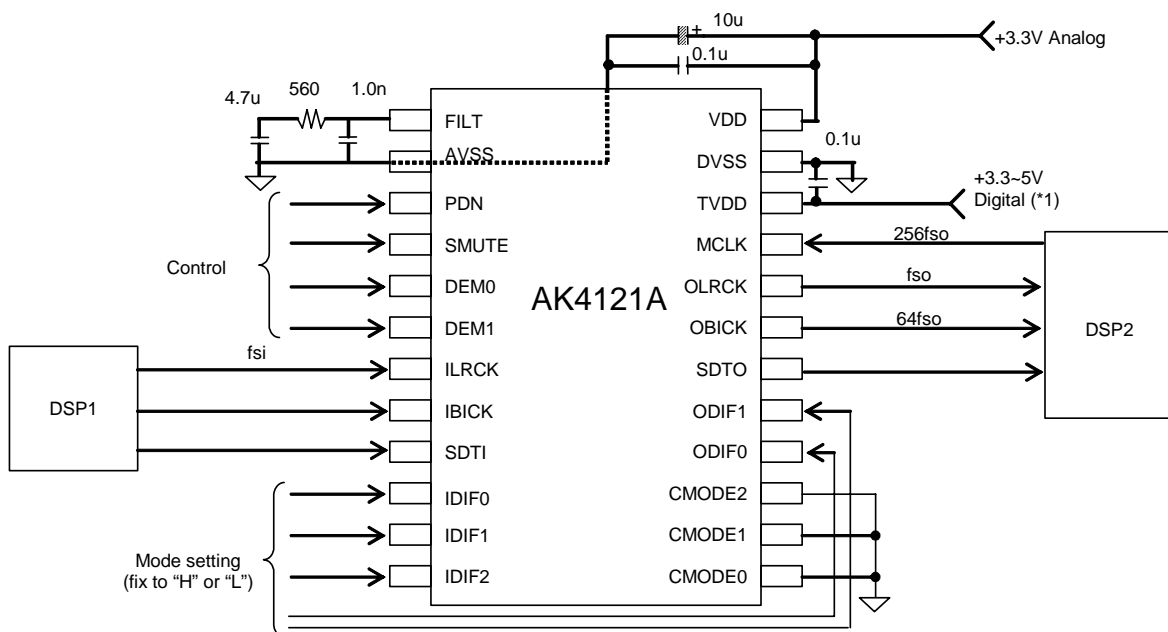
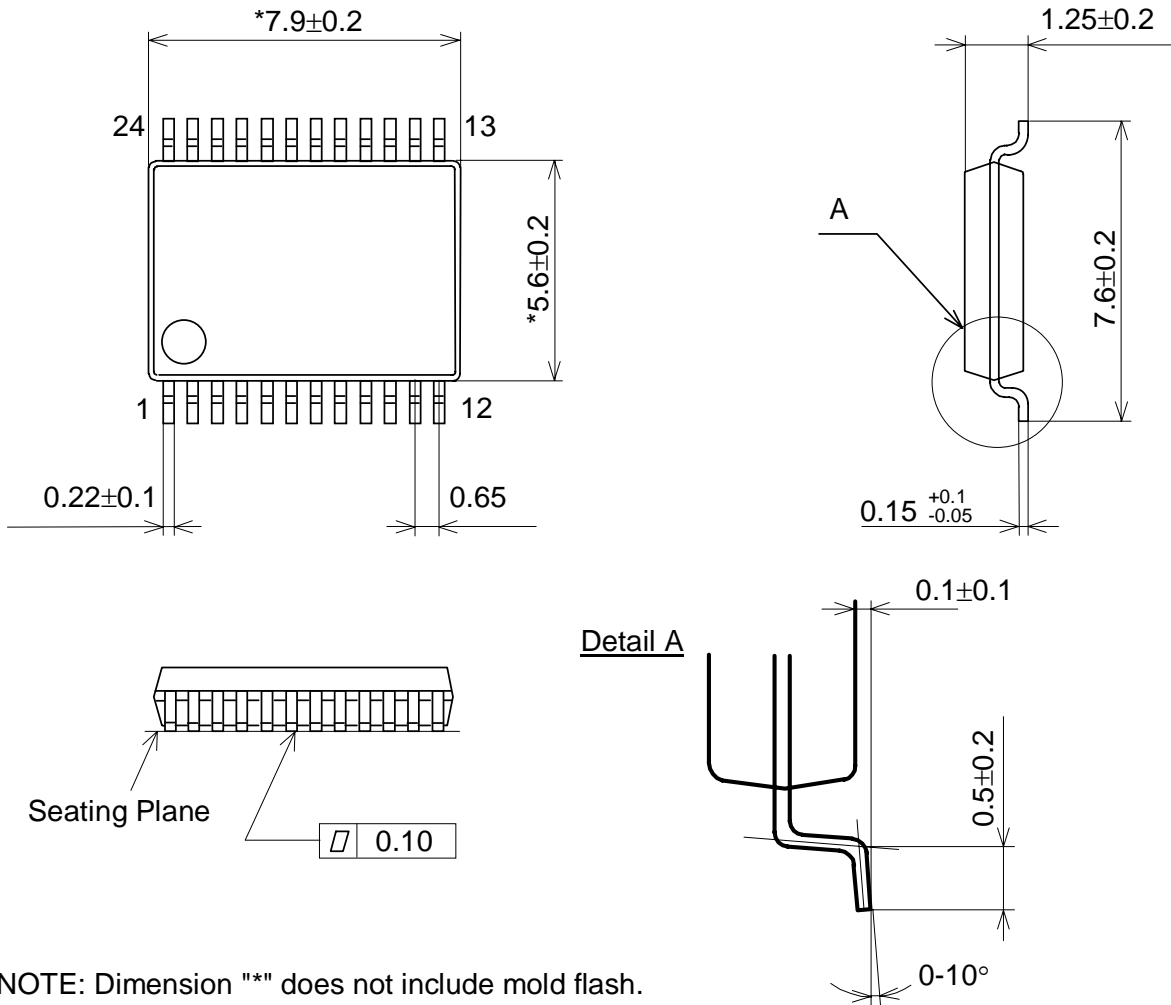


Figure 14. Example of a typical design (Master Mode; MCLK=256fso)

*1. TVDD should be the same as the maximum input voltage.

PACKAGE

24pin VSOP (Unit: mm)

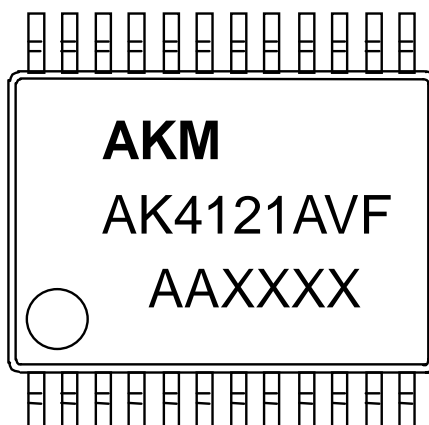


NOTE: Dimension "*" does not include mold flash.

■ Package & Lead frame material

Package molding compound:	Epoxy
Lead frame material:	Cu
Lead frame surface treatment:	Solder plate (Pb free)

MARKING



Contents of AAXXXX

AA: Lot#
 XXXX: Date Code

REVISION HISTORY

Date (YY/MM/DD)	Revision	Reason	Page	Contents
04/09/01	00	First Edition		
07/06/05	01	Error Correct	4	SRC PERFORMANCE Dynamic Range, Worst Case FSO/FSI=32kHz/44.1kHz → 48kHz/96kHz
		Description Change	6	SWITCHING CHARACTERISTICS Audio Interface timing ILRCK Edge to IBICK “↑” is changed to ILRCK period (8kHz ~ 32kHz): 1/256fs+45 ILRCK period (32kHz ~ 48kHz): 1/256fs+25 ILRCK period (48kHz ~ 96kHz): 1/256fs+15
07/07/25	02	Description Change	13	<ul style="list-style-type: none"> ■ Internal Reset Function for Clock Change ■ Sequence of Changing Clocks

IMPORTANT NOTICE

- These products and their specifications are subject to change without notice.
When you consider any use or application of these products, please make inquiries the sales office of Asahi Kasei EMD Corporation (AKEMD) or authorized distributors as to current status of the products.
- AKEMD assumes no liability for infringement of any patent, intellectual property, or other rights in the application or use of any information contained herein.
- Any export of these products, or devices or systems containing them, may require an export license or other official approval under the law and regulations of the country of export pertaining to customs and tariffs, currency exchange, or strategic materials.
- AKEMD products are neither intended nor authorized for use as critical components^{Note1)} in any safety, life support, or other hazard related device or system^{Note2)}, and AKEMD assumes no responsibility for such use, except for the use approved with the express written consent by Representative Director of AKEMD. As used here:
Note1) A critical component is one whose failure to function or perform may reasonably be expected to result, whether directly or indirectly, in the loss of the safety or effectiveness of the device or system containing it, and which must therefore meet very high standards of performance and reliability.
Note2) A hazard related device or system is one designed or intended for life support or maintenance of safety or for applications in medicine, aerospace, nuclear energy, or other fields, in which its failure to function or perform may reasonably be expected to result in loss of life or in significant injury or damage to person or property.
- It is the responsibility of the buyer or distributor of AKEMD products, who distributes, disposes of, or otherwise places the product with a third party, to notify such third party in advance of the above content and conditions, and the buyer or distributor agrees to assume any and all responsibility and liability for and hold AKEMD harmless from any and all claims arising from the use of said product in the absence of such notification.