



A.HE83133 Introduction

HE83133 is a member of 8-bit Micro-controller series that is developed by King Billion. Users can chose any one of combination among 【640 dots LCD Driver + 12 Bit I/O Port】 ... 【320 dots LCD Driver + 32 Bit I/O Port】 etc. (Decide by Mask Option). This IC has built-in one OP comparator. The built-in OP comparator can be used with (light 、 voice 、 temperature 、 humility) sensor. The 7-bit current-type D/A converter and PWM device provide the complete speech output mechanism. The 384 ROM Size can storage around 120 second's speech. This IC is applicable to the medium systems such as LCD Games and Educational Toy etc. Use external SRAM or Flash RAM to have recording function. This IC is applicable to the medium systems such as LCD Games, Education Toy etc. This IC is very easy to learn and use. Most of instructions take only 3 oscillator clocks (machine cycles). As a result this IC is suitable for the applications that require higher performance system.

B.HE83133 Features

- Operation Voltage : 2.2V – 5.5V
- System Clock : DC ~ 8MHz @ 5.0V
DC ~ 4MHz @ 2.2V
- Internal ROM : 384K Bytes(64K Program ROM +320K Data ROM)
- Internal RAM : 256 Bytes
- Dual Clock System : Normal (Fast) clock : 32.768K ~ 8MHz
Slow clock : 32.768KHz
- Operation Mode : DUAL 、 FAST 、 SLOW 、 IDLE 、 SLEEP Mode.
- With WDT (WATCH DOG TIMER) to prevent deadlock condition.
- 12-bit ~ 32-bit Bi-directional I/O port. Mask Option can select PUSH-PULL or OPEN DRAIN output mode for each I/O pin.
- One built-in OP comparator.
- 640 ~320 dots LCD driver (A 、 B TYPE selectable).



- One 7-bit current-type DAC output.
- PWM device.
- Two external interrupts and two internal timers interrupts.
- Two 16-bit timers.
- Instruction set : 32 instructions, 4 addressing mode. 8-bit DATA POINTER for RAM and 19-bit TABLE POINTER for ROM.

C. HE83133 Application

- This IC is applicable to the medium systems such as LCD Games and Educational Toy etc.
- Light, voice, temperature, humidity-controlled system's speech. Applicable to the LCD application.
- Use external SRAM or Flash RAM to have recording function.

D. Pin Assignment

Pin#	Pin Name	I/O	Function	Description
77	FXI,	B,	External fast clock pin. Connecting to crystal or RC to generate 32.768 kHz ~ 8MHz system clock.	Mask Option settings : MO_FCK/SCKN=00 : Slow Clock only 01 : Illegal 10 : Dual Clock 11 : Fast Clock only MO_FOSCE=0 : Internal fast oscillation 1 : External fast oscillation MO_FXTAL=0 : R,C oscillation for Fast Clock 1 : Crystal oscillation for Fast Clock MO_SXTAL=0 : R,C oscillation for 32.768K Clock 1 : Crystal oscillation for 32.768K Clock
76	FXO	O		
80	SXI,	I,	External slow clock pin. Connecting with 32.768 Hz OSC to generate the stable frequency for Slow Clock Mode and Timer clock source.	Program the value of OP1 and OP2 to change the operating modes (Normal, Slow, Idle and Sleep). In Dual Clock mode , the system runs in Fast Clock, only the LCD and timer I use the 32.768K clock source .
79	SXO	O		
				Pull this pin to low level to reset the system. Besides, select the Mask Option (MQ_PORE=1) to enable the



75	RSTP_N	I	System Reset Signal.	<p>HE83133 internal Power-on Reset function.</p> <p>In addition, the MO_WDTE is used for Watch Timer setting :</p> <p>MO_WDTE=0 : Disable Watch Dog Timer =1 : Enable Watch Dog Timer</p>
78	TSTP_P	I	Test Pin	<p>Pull the pin to high level to enter into testing mode.</p>
90.. 92 1	PRTC[3:0]	B	Port C bi-directional I/O Pin (4Pins)	<p>Mask Option MO_CPP[3:0] to preset the output type :</p> <p>MO_CPP=1 : Push-pull output; =0 : Open-drain output</p> <p>When assigned the port to input pin, send a '1' and read the result to get the input value</p>
82.. 89	PRTD[7:0]	B	Port D bi-directional I/O pin (8 pins). PRTD[7:2] is also a Wake-up pin and PRTD[7:6] is used for interrupt input pin.	<p>Mask Option MO_DPP[7:0] to preset the output type :</p> <p>MO_DPP=1 : Push-pull output; =0 : Open-drain output</p> <p>When assigned the port to input pin, send a '1' and read the result to get the input value</p>
12.. 15	PRT17[7:4]/ SEG[39:36]	B/ O	Port 17 bi-directional pin(4pins) or LCD Segment[39:36]	<p>Mask Option MO_LIO17[7:4]</p> <p>Set 4 pins to be I/O or LCD Segment:</p> <p>MO_LIO17[7:0]=0 ; I/O Pin ◦ =1 ; LCD Pin</p> <p>I/O Pin Assigned</p> <p>Mask Option MO_17PP[7:4]</p> <p>MO_17PP[7:4]=0 ; Open-drain output</p>



				=1 ; Push-pull output
16.. 23	PRT15[7:0]/ SEG[35:28]	B/ O	Port 15 bi-directional pin(8pins) or LCD Segment[35:28]	Mask Option MO_LIO15[7:0] Set 8 pins to be I/O or LCD Segment: MO_LIO15[7:0]=0 ; I/O Pin=1 ; LCD Pin I/O Pin Assigned Mask Option MO_15PP[7:0] MO_15PP[7:0]=0 ; Open-drain output =1 ; Push-pull output
24 31	PRT14[7:0]/ SEG[27:20]	B/ O	Port 14 bi-directional pin(8pins) or LCD Segment[27:20]	Mask Option MO_LIO14[7:0] Set 8 pins to be I/O or LCD Segment : MO_LIO14[7:0]=0 ; I/O Pin =1 ; LCD Pin I/O Pin Assigned Mask Option MO_14PP[7:0] MO_14PP[7:0]= 0 ; Open-drain output ◦ = 1 ; Push-pull output ◦
11..4 52.. 59	COM[15:0]	O	LCD COMmon Output	Data filled from D8H, please refer the LCD RAM Map
32.. 51	SEG[19:0]	O	LCD SEGment Output	
61	LC2	B	Charge Pump Switch 2	LV3=VDD ◦ Charge Pump for LCD is turn off. Take one 0.1 μF capacitor between LC1 and LC2 off. Please refer the application circuit in order to avoid power consumption.
60	LC1	B	Charge Pump Switch 1	
63	LV3	B	Charge Pump V3	Please refer the application circuit.
62	LV1	B	Charge Pump V1	
64.. 67	LR[4..1]	B	LCD Resister level 4 ~ 1	Please refer the application circuit.
68	LVG	I	LCD Virtual Ground	



2	PWMP	O	PWM +ve output pin can directly drive Speaker or Buzzer for sound output.	Set the Bit2 for VOC register (PWM =1) to turn on the PWM
3	PWMN	O	PWM -ve output pin can directly drive Speaker or Buzzer for sound output.	Set the Bit2 for VOC register (PWM =1) to turn on the PWM
70	VO	O	D/A voice output	Set the bit1 (DA=1) of VOC register to turn on VO
71	DAO	O	D/A voice output for OP use.	Set the bit0 (OP=1) of VOC register to turn on DAO
72	OPIN	I	OPAMP Inverting pin	Set the bit1 (OP=1) register to turn on OP
73	OPIP	I	OPAMP Non-Inverting pin	Individual Op comparator
74	OPO	O	OPAMP Output pin	
81	VDD	P	Positive Power Input	
69	GND	P	Power Ground Input	

E.LCD RAM Map

Page	SEG	SEG	SEG	SEG	SEG
0	[7:0]	[15:8]	[23:16]	[31:24]	[39:32]
COM0	80H	90H	A0H	B0H	C0H
COM1	81H	91H	A1H	B1H	C1H
COM2	82H	92H	A2H	B2H	C2H
:	:	:	:	:	:
:	:	:	:	:	:
COM13	8DH	9DH	ADH	BDH	CDH
COM14	8EH	9EH	AEH	BEH	CEH
COM15	8FH	9FH	AFH	BFH	CFH



G. Bonding Pad Location

PIN Number	PIN Name	X Coordinate	Y Coordinate	PIN Number	PIN Name	X Coordinate	Y Coordinate
1	PRTC[0]	X= -1011.00	Y= 1635.10	47	SEG[4]	X= 1025.00	Y= -1636.50
2	PWMP	X= -1820.20	Y= 1287.70	48	SEG[3]	X= 1140.50	Y= -1636.50
3	PWMN	X= -1820.20	Y= 1124.30	49	SEG[2]	X= 1256.00	Y= -1636.50
4	COM[8]	X= -1820.20	Y= 985.20	50	SEG[1]	X= 1371.50	Y= -1636.50
5	COM[9]	X= -1820.20	Y= 869.80	51	SEG[0]	X= 1487.00	Y= -1636.50
6	COM[10]	X= -1820.20	Y= 754.20	52	COM[7]	X= 1818.30	Y= -1535.20
7	COM[11]	X= -1820.20	Y= 638.80	53	COM[6]	X= 1818.30	Y= -1419.80
8	COM[12]	X= -1820.20	Y= 523.20	54	COM[5]	X= 1818.30	Y= -1304.20
9	COM[13]	X= -1820.20	Y= 407.80	55	COM[4]	X= 1818.30	Y= -1188.80
10	COM[14]	X= -1820.20	Y= 292.20	56	COM[3]	X= 1818.30	Y= -1073.20
11	COM[15]	X= -1820.20	Y= 176.80	57	COM[2]	X= 1818.30	Y= -957.80
12	PRT17[7]	X= -1820.20	Y= 61.20	58	COM[1]	X= 1818.30	Y= -842.20
13	PRT17[6]	X= -1820.20	Y= -54.20	59	COM[0]	X= 1818.30	Y= -726.80
14	PRT17[5]	X= -1820.20	Y= -169.80	60	LC1	X= 1818.30	Y= -611.20
15	PRT17[4]	X= -1820.20	Y= -285.20	61	LC2	X= 1818.30	Y= -495.80
16	PRT15[7]	X= -1820.20	Y= -400.80	62	LV1	X= 1818.30	Y= -380.20
17	PRT15[6]	X= -1820.20	Y= -516.20	63	LV3	X= 1818.30	Y= -264.80
18	PRT15[5]	X= -1820.20	Y= -631.80	64	LR4	X= 1818.30	Y= -149.20
19	PRT15[4]	X= -1820.20	Y= -747.20	65	LR3	X= 1818.30	Y= -33.80
20	PRT15[3]	X= -1820.20	Y= -862.80	66	LR2	X= 1818.30	Y= 81.80
21	PRT15[2]	X= -1820.20	Y= -978.20	67	LR1	X= 1818.30	Y= 197.20
22	PRT15[1]	X= -1820.20	Y= -1093.80	68	LVG	X= 1818.30	Y= 312.80
23	PRT15[0]	X= -1747.00	Y= -1636.50	69	GND	X= 1818.30	Y= 428.20
24	PRT14[7]	X= -1631.50	Y= -1636.50	70	VO	X= 1699.90	Y= 1634.40



25	PRT14[6]	X= -1516.00	Y= -1636.50	71	DAO	X= 1548.10	Y= 1634.40
26	PRT14[5]	X= -1400.50	Y= -1636.50	72	OPIN	X= 1414.50	Y= 1635.10
27	PRT14[4]	X= -1285.00	Y= -1636.50	73	OPIP	X= 1299.00	Y= 1635.10
28	PRT14[3]	X= -1169.50	Y= -1636.50	74	OPO	X= 1183.50	Y= 1635.10
29	PRT14[2]	X= -1054.00	Y= -1636.50	75	RSTP_N	X= 1068.00	Y= 1635.10
30	PRT14[1]	X= -938.50	Y= -1636.50	76	FXO	X= 952.50	Y= 1635.10
31	PRT14[0]	X= -823.00	Y= -1636.50	77	FXI	X= 837.00	Y= 1635.10
32	SEG[19]	X= -707.50	Y= -1636.50	78	TSTP_P	X= 721.50	Y= 1635.10
33	SEG[18]	X= -592.00	Y= -1636.50	79	SXO	X= 606.00	Y= 1635.10
34	SEG[17]	X= -476.60	Y= -1636.50	80	SXI	X= 490.40	Y= 1635.10
35	SEG[16]	X= -361.10	Y= -1636.50	81	VDD	X= 374.90	Y= 1635.10
36	SEG[15]	X= -245.60	Y= -1636.50	82	PRTD[7]	X= 259.40	Y= 1635.10
37	SEG[14]	X= -130.10	Y= -1636.50	83	PRTD[6]	X= 143.90	Y= 1635.10
38	SEG[13]	X= -14.60	Y= -1636.50	84	PRTD[5]	X= 28.40	Y= 1635.10
39	SEG[12]	X= 101.00	Y= -1636.50	85	PRTD[4]	X= -87.10	Y= 1635.10
40	SEG[11]	X= 216.40	Y= -1636.50	86	PRTD[3]	X= -202.60	Y= 1635.10
41	SEG[10]	X= 331.90	Y= -1636.50	87	PRTD[2]	X= -318.10	Y= 1635.10
42	SEG[9]	X= 447.40	Y= -1636.50	88	PRTD[1]	X= -433.60	Y= 1635.10
43	SEG[8]	X= 563.00	Y= -1636.50	89	PRTD[0]	X= -549.10	Y= 1635.10
44	SEG[7]	X= 678.50	Y= -1636.50	90	PRTC[3]	X= -664.60	Y= 1635.10
45	SEG[6]	X= 794.00	Y= -1636.50	91	PRTC[2]	X= -780.10	Y= 1635.10
46	SEG[5]	X= 909.50	Y= -1636.50	92	PRTC[1]	X= -895.60	Y= 1635.10



H. DA/DC Characteristics

Absolute Maximum Rating

Item	Sym.	Rating	Condition
Supply Voltage	V_{dd}	-0.5V ~ 8V	
Input Voltage	V_{in}	-0.5V ~ $V_{dd}+0.5V$	
Output Voltage	V_o	-0.5V ~ $V_{dd}+0.5V$	
Operating Temperature	T_{op}	0°C ~ 70°C	
Storage Temperature	T_{st}	-50°C ~ 100°C	

Recommended Operating Conditions

Item	Sym.	Rating	Condition
Supply Voltage	V_{dd}	2.2V ~ 5.5V	
Input Voltage	V_{ih}	$0.9 V_{dd} \sim V_{dd}$	
	V_{il}	$0.0V \sim 0.1V_{dd}$	
Operating Frequency	F_{max}	8MHz	$V_{dd} = 5.0V$
		4MHz	$V_{dd} = 2.2V$
Operating Temperature	T_{op}	0°C ~ 70°C	
Storage Temperature	T_{st}	-50°C ~ 100°C	



Testing Condition : TEMP=25°C, VDD=3V+/-10%, GND=0V

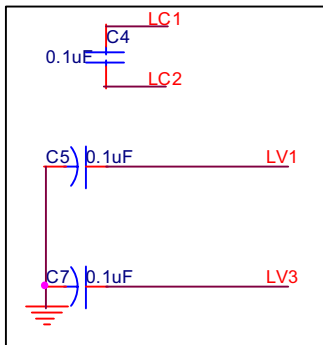
	PARAMETER		CONDITION	MIN	TYP	MAX	UNIT
I_{Fast}	NORMAL Mode Current	System	2M ext. R/C		0.75	1	mA
I_{Slow}	SLOW Mode Current	System	32.768K X'tal LCD Disable		10	20	μA
I_{Idle}	IDLE Mode Current	System	32.769K X'tal LCD Disable		6	10	μA
I_{LCD}	Extra Current if LCD ON	System	LCD Enable, LCD option=300Kohm Voltage-doubler OFF		12	20	μA
			LCD Enable, LCD option=30Kohm, Voltage-doubler ON		100	120	
I_{Sleep}	Sleep Mode Current	System				1	μA
I_{oHPWM}	PWM Output Drive Current	PWMP, PWMN*2	V _{DD} =3V; V _{oh} =2V	12	15		mA
I_{oLPWM}	PWM Output Sink Current	PWMP, PWMN*2	V _{DD} =3V; V _{oL} =1V	33	40		mA
I_{oVO}	DAC Output Current	VO, DAO	V _{DD} =3V; VO=0~2V, Data=7F	2.5	3		mA
V_{iH}	Input High Voltage	I/O pins		0.8 V _{DD}			V
V_{iL}	Input Low Voltage	I/O pins				0.2 V _{DD}	V
V_{hys}	Input Hysteresis Width	I/O, RSTP_N	Threshold=2/3V _{DD} (input from low to high) Threshold=1/3V _{DD} (input from high to low)		1/3 V _{DD}		V
I_{oH}	Output Drive Current	I/O pull-high*1	V _{oL} =2.0V	50			μA
I_{oL_1}	Output Sink Current	I/O pull-low*1	V _{oL} =0.4V	1.0			mA
I_{iL_1}	Input Low Current	RSTP_N	V _{iL} =GND, pull high Internally		20		μA
I_{iL_2}	Input Low Current	I/O	V _{iL} =GND, if pull high Internally by user		100		μA

Note: *1: Drive Current Spec. for Push-Pull I/O port only
 Sink Current Spec. for both Push-Pull and Open-Drain I/O port.

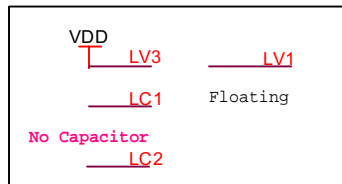
*2: This Spec. base on one driver only. There are five build-in driver, so user just multiply the number of driver he used to one driver current to get the total amount of current. ($I_{oHPWM} \cdot I_{oLPWM} * N$; $N=0,1,2,3,4,5$)

I. Application Circuit

Tripple Charge Pump is selected
 LCD Max. Voltage=LV3=3/2*VDD

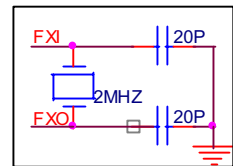


Tripple Charge Pump is selected
 LCD Max. Voltage=LV3=VDD

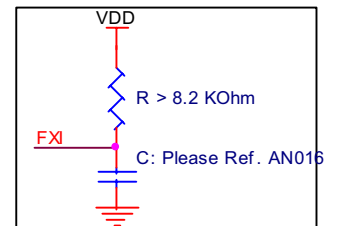


No External Parts is necessary if user adopt Internal Fast RC Clock

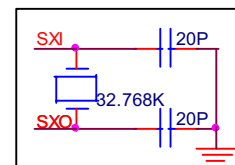
External Fast Clock: Crystal osc.



External Fast Clock: RC osc.



External Slow Clock: Crystal osc.



External Slow Clock: RC osc.

