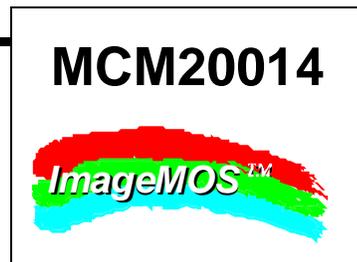
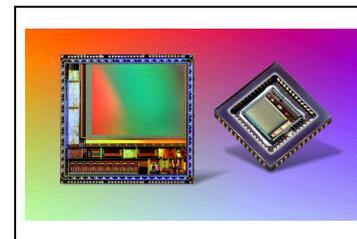


**1/3" Color VGA Digital Image Sensor
640 x 480 pixel progressive/interlace scan
solid state image sensor with integrated CDS/PGA/ADC,
digital programming, control, timing, and pixel correction
features**



Features:

- VGA resolution, active CMOS image sensor with square pixel unit cells
- 7.8µm pitch pixels with patented pinned photodiode architecture
- Bayer-RGB color filter array with optional micro lenses
- High sensitivity, quantum efficiency, and charge conversion efficiency
- Low fixed pattern noise / Wide dynamic range
- Antiblooming and continuous variable speed shutter
- Single master clock operation
- Digitally programmable via I²C interface
- Integrated on-chip timing/logic circuitry
- CDS sample and hold for suppression of low frequency and correlated reset noise
- 48X programmable variable gain to optimize dynamic range and facilitate white balance and iris adjustment
- 10-bit, pipelined algorithmic RSD ADC
- User selectable digital output formats:
 - 8-bit companded data
 - 10-bit linear data
- Column offset correction, and Bad Pixel Replacement for noise suppression
- Pixel addressability to support 'Window of Interest' windowing, resolution, and subsampling
- 30fps full VGA at 10Mhz Master Clock Rate
- Single 3.3V power supply
- 48 pin CLCC package



Ordering Information	
Device	Package
MCM20014IBMN Monochrome	48 CLCC-IB
MCM20014IBB Color	48 CLCC-IB

The MCM20014 is a fully integrated, high performance CMOS image sensor with features such as integrated timing control, and analog signal processing for digital imaging applications. The part provides designers a complete imaging solution with a monolithic image capture and processing engine thus making it a true "camera on a chip". System benefits enable design of smaller, portable, low cost and low power systems. Thereby making the product suitable for a variety of consumer applications including still/full motion imaging, security/surveillance, and automotive among others.

The imaging pixels are based on active CMOS pixels using pinned photodiodes that are realized using Motorola's sub-micron ImageMOS™ technology. The frame rate is completely adjustable from 0 to 30 frames per second without adjusting the system clock from 10Mhz. Each pixel on the sensor is individually addressable allowing the user to control "Window of Interest" (WOI) panning and zooming, sub-sampling, resolution, exposure, gain, and other image processing features via a two pin I²C interface. Programmable digital signal processing blocks included in the data path are bad-pixel replacement and noise compensation for image enhancement. The sensor is run by supplying a single Master Clock. The sensor output is 8 or 10 digital bits depending on output mode selected.

This document contains information on a new product.
Specifications and information herein are subject to change without notice.
November 2000



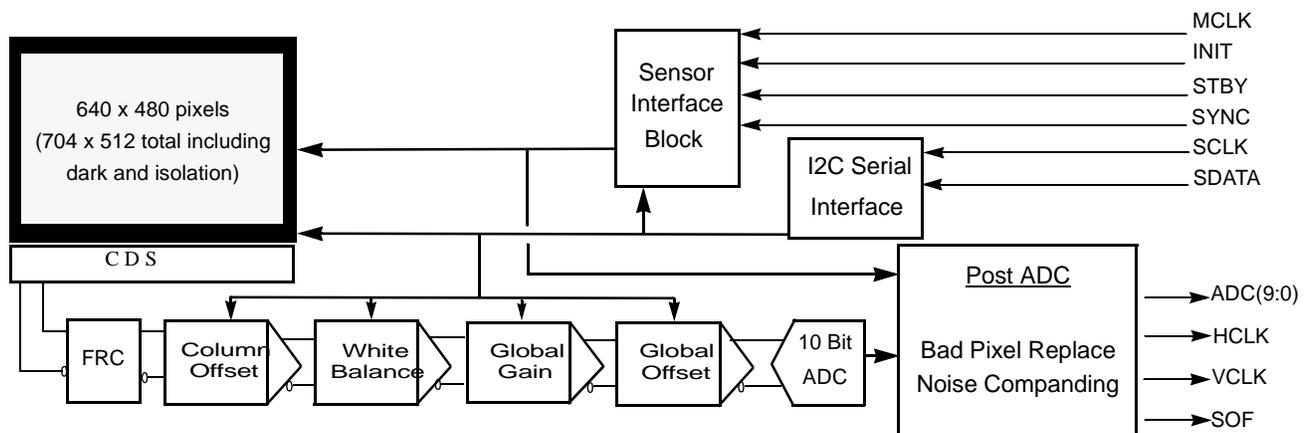


Figure 1. MCM20014 Simplified Block Diagram

Specifications

Image Size: 5.0mm x 3.7mm (1/3")

Resolution: 640 x 480 pixels, available digital zoom and region of interest (ROI) windowing

Pixel Size: 7.8 μ m x 7.8 μ m

Monochrome Sensitivity: 3.0 V/Lux-sec

Min. Detectable Light Level: 5 Lux at 30FPS/F2 lens

Scan Modes: Progressive/Interlace

Shutter Modes: Continuous (Video)/ Single (Still)

Readout Rate: 13.5MSPS

Frame Rate: 0-40 frames per second @ 13.5Mhz

Max Master Clock Frequency: 13.5MHz

System Dynamic Range: 50dB

On Chip programmable gain: -2.7dB to 27dB

On Chip Image Correction: Column offset calibration, data companding, bad pixel replacement

Analog to Digital Converter: 10-bit, RSD ADC

Power Dissipation: 215mW (dynamic) / 25mW (standby)

Package: 48 pin ceramic LCC

Temperature Operating Range: 0-40°C

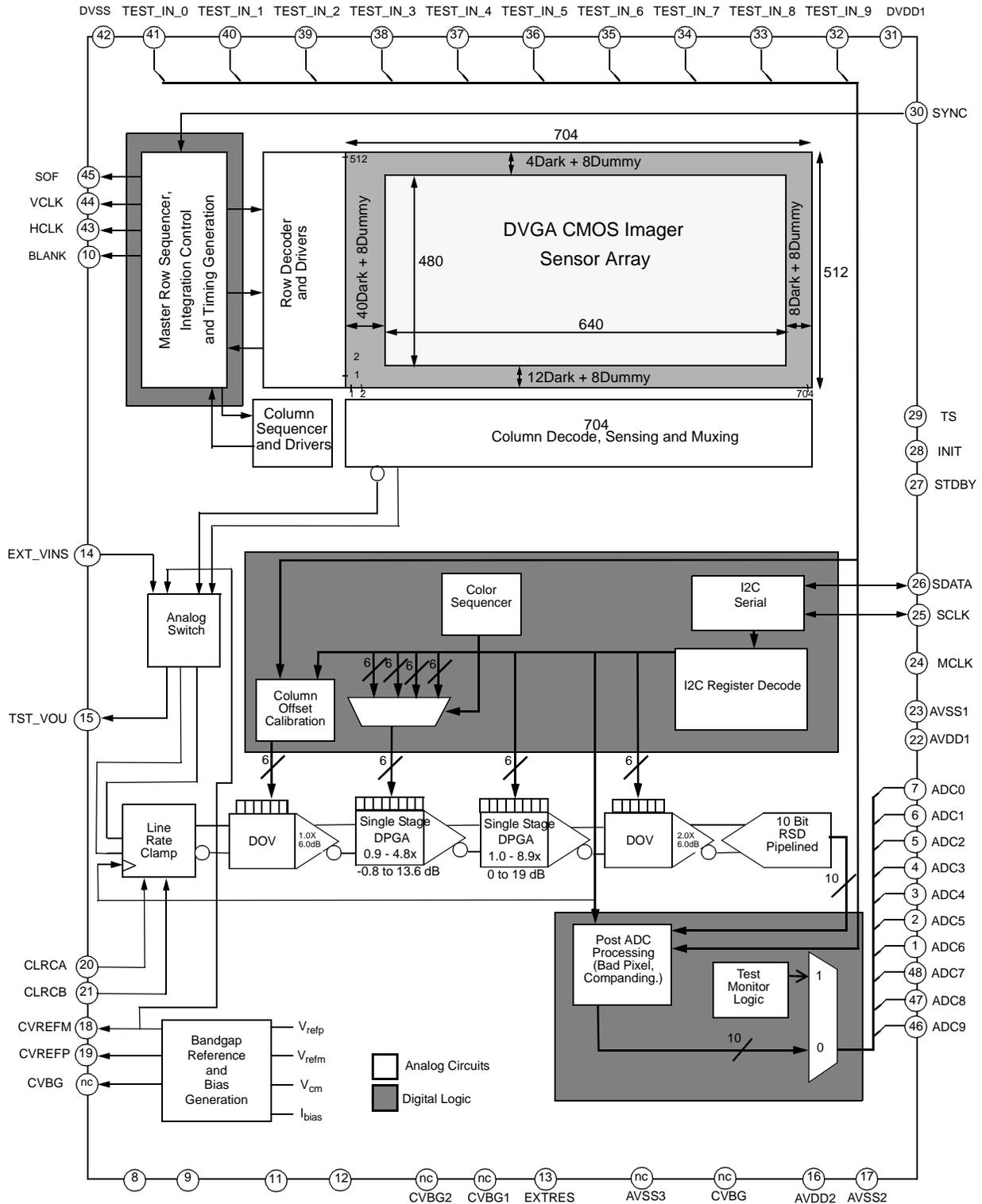


Figure 2. MCM20014 Detailed Block Diagram

1.0 MCM20014 Overview

The MCM20014 is a solid state CMOS Active CMOS Imager (ACI™) that integrates the functionality of a complete analog image acquisition, digitizer, and digital signal processing system on a single chip. The image sensor comprises a 1/3" format pixel array with 640x480 (VGA) active elements. The image size is fully programmable to user defined windows of interest. The pixels are on a 7.8µm pitch. High sensitivity and low noise are a characteristic of the pinned photodiode architecture utilized in the pixels. Optional microlenses are available to further enhance the sensitivity. The sensor is available with Bayer patterned Color Filter Arrays (CFAs) for color output or as a monochrome imager.

Integrated timing and programming controls allow video (CFCM) or still (SFCM) image capture mode supporting progressive or interlace scan modes. Frame rates are programmable while keeping Master Clock frequency constant. User programmable row and column start/stop allow windowing to a minimum 1x1 pixel window. Windowing can also be performed by subsampling in multiple pixel increments to allow digital zoom.

A high performance analog signal processing chain helps establish a new benchmark for digital image capture. The sensor has an unprecedented level of integration. The analog video output of the pixel array is processed by an on chip processing pipeline. Correlated Double Sampling (CDS) eliminates low frequency correlated noise. The Frame Rate Clamp (FRC) enables real time optical black level calibration and offset correction. Digitally Programmable Amplifiers (DPGAs) allow real time color gain correction for Auto White Balance (AWB) as well as global gain adjustment; offset calibration can be done on a per column basis or globally. This per-column offset correction can be applied automatically or by using stored values in the on chip SRAM. A 10-bit Redundant Signed Digit (RSD) ADC converts the analog data to a 10-bit digital word stream. The fully differential analog signal processing pipeline serves to improve noise immunity, signal to noise ratio, and system dynamic range.

A digital signal post processing block includes programmable features for output data companding and pixel correction. User programmable thresholding allows replacement of pixels beyond preset maximum and minimum levels by average, trailing, or leading pixels. A noise core allows companding of data that allows users to accentuate dark pixels. Data companding can be done by loading any one of eight hard coded compression curves which performs a 10 to 8 bit transformation on the data.

The sensor uses an industry standard two line I²C serial interface. It operates with a single 3.3V power supply with no additional biases and requires only a single Master Clock for operation upto 13.5MHz. It is housed in a 48 pin ceramic LCC package.

The MCM20014 is designed taking into consideration interfacing requirements to standard video encoders. In addition to the 10 bit Bayer encoded data stream, the sensor outputs the valid frame, line and pixel sync signals needed for encoding. The sensor interfaces with a variety of commercially available video image processors to allow encoding into various standard video formats .

The MCM20014 is an elegant and extremely flexible single chip solution that simplifies a system designer's tasks of image sensing, processing, digital conversion, and digital signal processing to a high performance, low cost, low power IC. One that supports among others a wide range of low power, portable consumer digital imaging applications.

2.0 MCM20014 Theory of Operation

This section reviews the concepts behind the operation of the image sensing and capture mechanisms employed in the MCM20014.

2.1 Sensor Interface

2.1.1 Pixel Architecture

The MCM20014 ImageMOS™ (1) sensor comprises a 640x480 active pixel array and supports both progressive and interlaced scan readout modes. The basic operation of the pixel relies on the photoelectric effect where due to its physical properties silicon is able to detect photons of light. The photons generate electron-hole pairs in direct proportion to the intensity and wavelength of the incident illumination. The application of an appropriate bias allows the user to collect the electrons and meter the charge in the form of a useful parameter such as voltage.

The pixel architecture is based on a four transistor (4T) Advanced CMOS Imager™(2) pixel which requires all pixels in a row to have common Reset, Transfer, and Row Select controls. In addition all pixels have common supply (V_{DD}) and ground (V_{SS}) connections. An optimized cell architecture provides enhancements such as noise reduction, fill factor maximizations, and anti-blooming. The use of pinned photodiodes (3) and proprietary transfer gate devices in the photoelements

1. ImageMOS is a Motorola trademark
2. Advanced CMOS Imager is a Kodak trademark
3. Patents held jointly by Motorola and Kodak

enables enhanced sensitivity in the entire visual spectral range and a lag free operation.

The nominal photoresponse of the MCM20014 is shown in Figure 3.

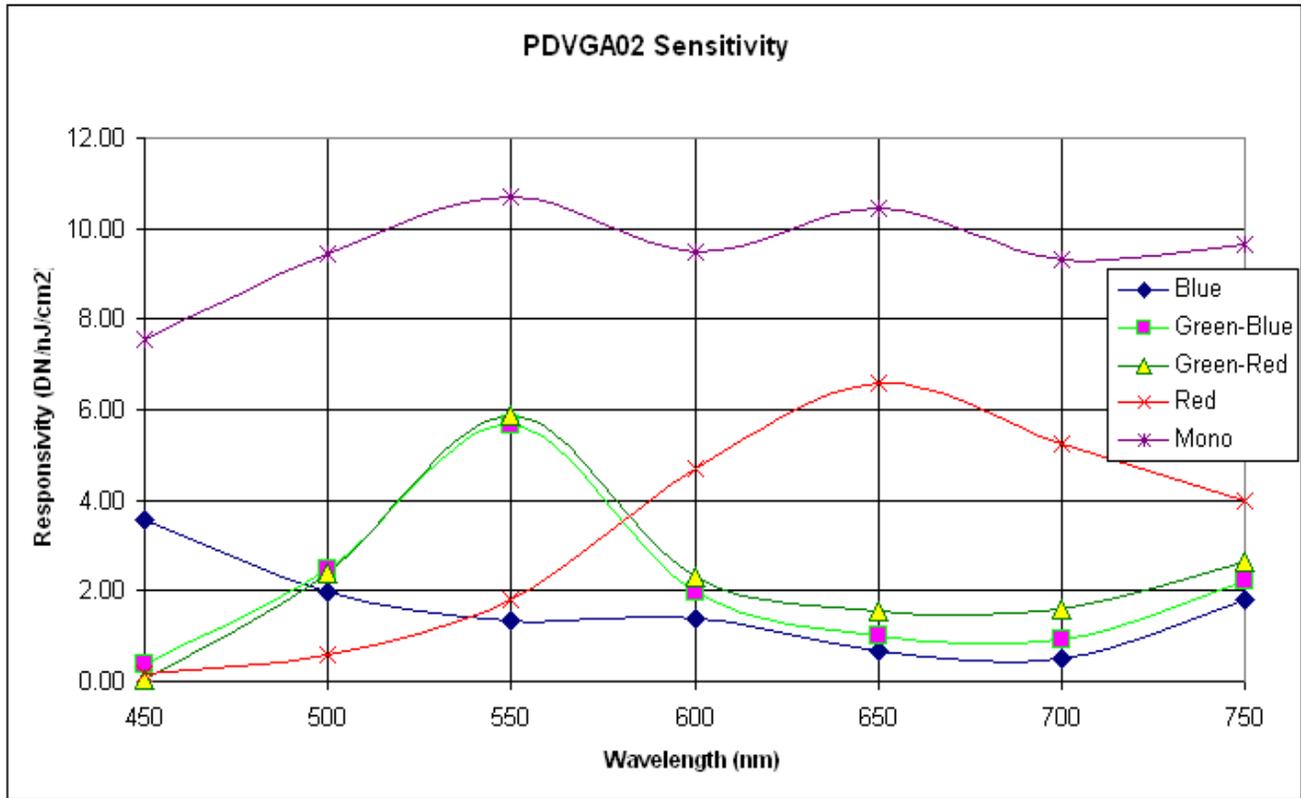


Figure 3. MCM20014 Nominal spectral response

In addition to the imaging pixels, there are additional pixels called dark and dummy pixels at the periphery of the imaging section (see Figure 2). The dark pixels are covered by a light blocking shield rendering the pixels underneath insensitive to photons. These pixels provide the sensor means to measure the dark level offset which is used downstream in the signal processing chain to perform auto black level calibration. The dummy pixels are provided at the array's periphery to eliminate inexact measurements due to light piping into the dark pixels adjacent to active pixels. The output of these pixels should be discarded.

Electronic shuttering, also known as electronic exposure timing in photographic terms, is a standard feature. The pixel integration time can be widely varied from a small fraction of a given frame readout time to the entire frame time. This feature can be especially useful in situations such as imaging of fast moving objects where maximum available integration time is long enough to cause smear or blurring or when imaging a bright scene where there are enough photons to cause an early saturation of the pixel.

2.1.2 Color Separation and Fill Factor Enhancement

The MCM20014 family is offered with the option of monolithic polymer color filter arrays (CFAs). The combination of an extremely planarized process and proprietary color filter technology result in CFAs with superior spectral and transmission properties. The standard option (Part # MCM20014IBBN) is a primary (RGB) "Bayer" pattern (see Figure 4), however, facility to produce customized CFAs including complementary (CMYG) mosaics also exists. Depending on the application, the choice between primary or complementary filter mosaics should be made. In general, primary mosaics are used in still video while complementary are used in real time video applications.

Applications requiring higher sensitivity can benefit from the optional micro-lens arrays shown in Figure 5. The lenslet arrays can improve the fill factor (aperture ratio) of the sensor by 1.5-2x depending on the F number of the main lens used in the camera system. Microlenses yield greatest benefits when the main lens has a high F number. As a caution, unoptimized F numbers can lead to optical aberrations hence, care should be taken when

incorporating microlens equipped imagers into camera systems/heads. The fill factor of the pixels without microlenses is 35%.

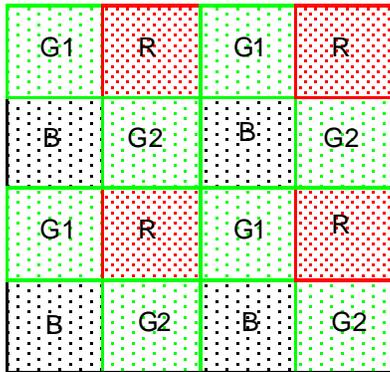


Figure 4. Optional on-chip Bayer CFA

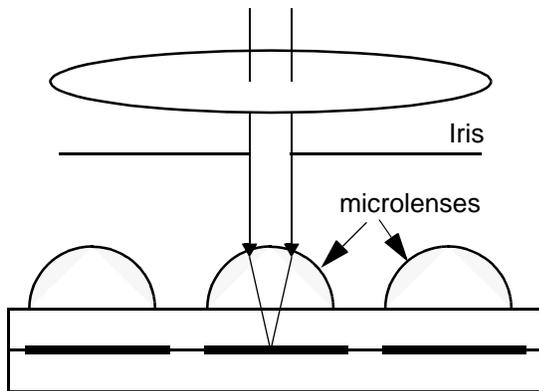


Figure 5. Improvement in pixel sensitivity results from focusing incident light on photo sensitive portions of the pixel by using microlenses.

2.1.3 Frame Capture Modes

Depending on the application the user may choose between the two available Frame Capture Modes (FCMs). An overview of the operation of the two modes and suggested guidelines for selection are given in this section.

The default mode of image capture is the Continuous Frame Capture Mode (CFCM). This mode is most suitable for full motion video capture and will yield VGA sized frame rates up to 36fps at 13.5 MHz MCLK. In this mode the image integration and row readout take place in parallel. While a row of pixels is being read out, another row or rows are being integrated. Since the integration time (T_{int}) is equal for all rows, the start of the integration periods for rows is staggered out. This mode relies on the integration periods of the rows being long

enough to produce a reasonable overlap of the sequential rows. If this is not the case then image artifacts may be produced in instances where the target is moving very fast or the illumination is varying.

The second available capture mode is called Single Frame Capture Mode (SFCM). This mode consists of global integration of all pixels, next a simultaneous transfer to the Floating Diffusion (FD) node of all pixels followed by a sequential read out of all rows. This mode is best suited for still or “single snap shot” capture of an image where a flash illumination is utilized.

SFCM should only be used when the ambient lighting will not cause the pixels to saturate during the readout time.

The user chooses the scan mode via the Capture Mode Control Register, (Table 24), on page 31.

2.1.4 Image Scan Modes

The MCM20014 has two available image scanning modes: interlaced and progressive.

Interlacing is a technique used in TV systems that is used to enhance the vertical resolution of the picture without increasing the bandwidth of the transmission system. A spatial offset is introduced on the display system between the odd and even fields. An odd field consists of rows 1,3,5,7,9.... while an even field comprises rows 2,4,6,8..... Since the spatial offset is exactly half the vertical pitch of the sensor, the even and odd fields appear interdigitated when displayed on top of one another, thus appearing to improve the sensor’s vertical resolution. By definition two interlaced fields comprise a frame. It should be noted that at high frame rates, motion between fields in interlaced video can cause smear and/or serrations to appear in the image.

Progressive scanning refers to non-interlaced or sequential row by row scanning of the entire sensor in a single pass. The image capture happens at one instant of time. This mode is primarily used in applications where vertical resolution is of prime importance and available bandwidth of the transmission system does not impose any limitations.

The user chooses the scan mode via the Sub-sample Control Register, (Table 25), on page 32.

2.1.5 Window of Interest Control

The pixel data to be read out of the device is defined as a ‘Window of Interest’ (WOI). The window of interest can be defined anywhere on the pixel array at any size. The user provides the upper-left pixel location and the size in both rows and columns to define the WOI. The

WOI is defined using the WOI Pointer, WOI Depth, and WOI Width registers, (Table 29 on page 35 through Table 36 on page 37). Please refer to Figure 6 for a pictorial representation of the WOI within the active pixel array.

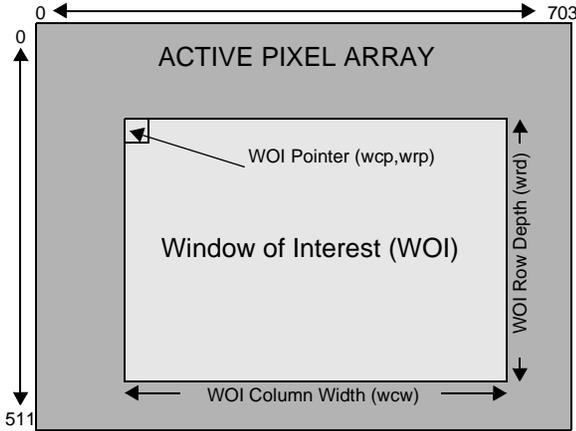


Figure 6. WOI Definition

2.1.6 WOI Sub-sampling Control

The WOI can be sub-sampled per user control. The user can read out the pixel data in either monochrome or bayer pixel space in four different sampling rates in each direction: full, 1/2, 1/4, or 1/8. The user controls the subsampling via the Sub-sample Control Register, (Table 25), on page 32. An example of Bayer space sub-sampling is shown in Figure 7.

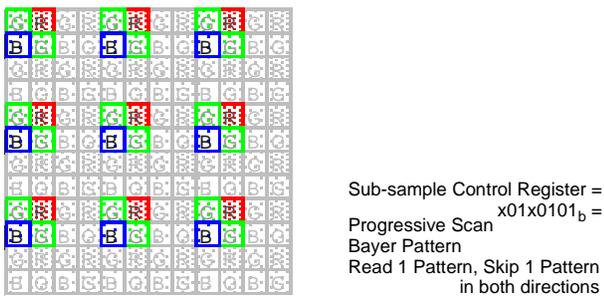


Figure 7. Bayer Space Sub-sampling Example

2.1.7 CFCM Frame Rate and Integration Time Control

In addition to the minimum time required to readout the selected resolution and WOI, the user has the ability to control the frame rates while operating in CFCM. This is done by varying the size of a Virtual Frame surrounding the WOI. Please refer to Figure 8 for a pictorial description of the Virtual Frame and its relationship to the WOI.

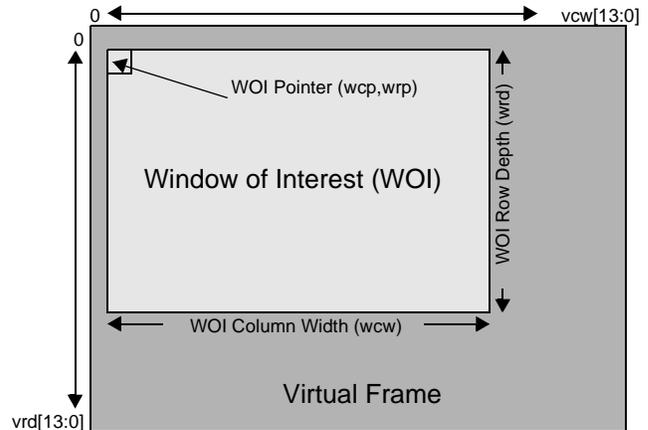


Figure 8. Virtual Frame Definition

The frame rate (time required to readout an entire frame of data plus the required boundary timing) is completely defined by the size of the Virtual Frame and can be expressed as:

$$\text{Frame Time} = \text{vrd}_d * T_{\text{row}} + T_{\text{fc}} \quad \text{for } T_{\text{row}} < T_{\text{lim}}$$

$$\text{Frame Time} = (\text{vrd}_d + 1) * T_{\text{row}} \quad \text{for } T_{\text{row}} \geq T_{\text{lim}}$$

where vrd_d defines the number of rows in the virtual frame. The user controls vrd_d via the CFCM Virtual Frame Row Depth registers (Table 40 on page 39 and Table 41 on page 40).

Row Time (T_{row}) is the length of time required to read one row of the virtual frame and can be defined as:

$$T_{\text{row}} = (\text{vcw}_d + \text{shs}_d + \text{shr}_d + 19) * \text{MCLK}_{\text{period}}$$

where vcw_d defines the number of columns in the virtual frame and shs_d and shr_d are internal timing control registers. The user controls vcw_d via the CFCM Virtual Frame Column Width registers (Table 42 on page 40 and Table 43 on page 41). The user controls the shs_d and shr_d values via the Internal Timing Control Register; Table 28 and is strongly encouraged to write an 00_h to this register.

T_{lim} is the minimum amount of time required for the internally generated frame clamp signal and is defined as:

$$T_{\text{lim}} = 719 * \text{MCLK}_{\text{period}}$$

T_{fc} is the minimum amount of time required to perform a frame clamp with timing overhead and is defined as:

$$T_{\text{fc}} = (719 + \text{shs}_d + \text{shr}_d + 19) * \text{MCLK}_{\text{period}}$$

The Integration Time for CFCM is defined by a combination of the width of the virtual frame and the integration time register, (Table 38 on page 38 and Table 39 on page 39); and can be expressed as:

$$\text{Integration Time} = (\text{cint}_d + 1) * T_{\text{row}}$$

where cint_d is the number of virtual frame row times desired for integration time. Therefore, the integration time in CFCM mode can be adjusted in steps of virtual frame row times. This equation for Integration Time is valid only for $T_{\text{row}} \geq T_{\text{lim}}$. For virtual frames where $T_{\text{row}} < T_{\text{lim}}$, the integration time is different for the first cint_d rows and is defined as:

$$\text{Integration Time}_{\text{cintdrows}} = T_{\text{fc}} + (\text{cint}_d * T_{\text{row}})$$

By using the default values in the Virtual Frame definition and Integration Time registers, an 00_h loaded into the Internal Timing Control Register, and assuming a standard video square pixel clock rate of 13.5Mhz, we can calculate the frame rate and integration time as:

$$\text{Row Time} = (749 + 16 + 16 + 19) / 13.5e6 = 59.26\mu\text{s}$$

$$\text{Frame Time} = (524 + 1) * 59.26\mu\text{s} = 31.11\text{ms}$$

which results in a Frame Rate of 32.21 frames per second.

$$\text{Integration Time} = (524 + 1) * 59.26\mu\text{s} = 31.26\text{ms}.$$

2.1.8 SFCM Integration Time Control

The Integration Time for the SFCM is defined by the integration time register (Table 37 on page 38 through Table 39 on page 39) and can be expressed as:

$$\text{Integration Time} = \text{sint}_d * 16 * \text{MCLK}_{\text{period}}$$

where sint_d is a number. Therefore, the user can adjust integration time in steps of 16 MCLK periods.

2.2 Analog Signal Processing Chain Overview

The MCM20014's analog signal processing (ASP) chain incorporates Correlated Double Sampling (CDS), Frame Rate Clamp (FRC), two Digitally Programmable Gain Amplifiers (DPGA), Offset Correction (DOVA), and a 10-bit Analog to Digital Converter (ADC).

2.2.1 Correlated Double Sampling (CDS)

The uncertainty associated with the reset action of a capacitive node results in a reset noise which is equal to kTC ; C being the capacitance of the node, T the temperature and k the Boltzmann constant. A common way of eliminating this noise source in all image sensors is to use Correlated Double Sampling. The output signal is sampled twice, once for its reset (reference) level and once for the actual video signal. These values are sampled and held while a difference amplifier subtracts the

reference level from the signal output. Double sampling of the signal eliminates correlated noise sources.

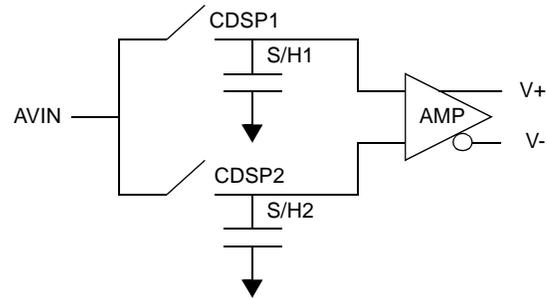


Figure 9. Conceptual block diagram of CDS implementation.

2.2.2 Frame Rate Clamp (FRC)

The FRC (Figure 10) is designed to provide a feed forward dark level subtract reference level measurement. In the automatic FRC mode, the optical black level reference is re-established each time the image sensor begins a new frame. The MCM20014 uses optical black (dark) pixels to aid in establishing this reference.

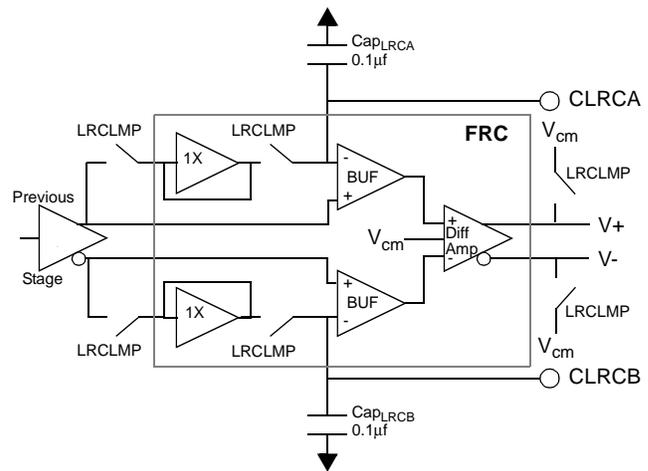


Figure 10. FRC Conceptual Block Diagram

On the MCM20014, dark pixel input signals should be sampled for a minimum of $137\mu\text{s}$ to allow the two $0.1\mu\text{F}$ capacitors at the CLRCA and CLRCB pins sufficient time to charge for 10-bit accuracy. This guarantees that the FRC's "droop" will be maintained at $\leq 750\mu\text{V}$, thus assuring the specified ADC 10-bit accuracy at ± 0.5 LSB. Therefore, at maximum operational frequency (13.5 MHz), the imager would require 6 frames to establish the dark pixel reference for subsequent active pixel processing. The dark pixel sample period is automatically controlled internally and it is set to skip the first 2 dark rows and then sample the next dark row. When

“dark clamping” is active, each dark pixel is processed and held to establish pixel reference level at the CLRCA and CLRCB pins. During this period, the FRC’s differential outputs (V+ and V- on the Diff Amp, Figure 10) are clamped to V_{cm} . Together, these actions help to eliminate the dark level offset, simultaneously establishing the desired zero code at the ADC output.

Care should be exercised in choosing the capacitors for the CLRCA, B pins to reflect different frame rates.

The user can disable this function via the Capture Mode Control Register, (Table 24), on page 31 which will allow the ASP chain to drift in offsetPer-Column Digital Offset Voltage Adjust (DOVA)

A programmable per-column offset adjustment is available on the MCM20014. A user defined offset value can be loaded via a 4-bit signed magnitude programming code. This programmable DOVA allows the user to select offset coefficients for FPN & PRNU corrections and channel offset normalization, and is used to correct for column induced errors. In the default mode, data is automatically loaded into an onchip RAM that stores 704, 4 bit words representing offset coefficients for each individual column in the imaging array. Figure 11 depicts a conceptual view of how the automatic generation of the per-column offsets is accomplished.

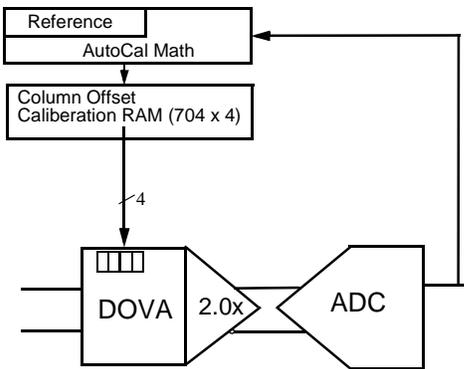


Figure 11. Conceptual illustration of the auto calibration scheme for offset adjustment

The user can generate and load data for this function as well. A dark frame can be analyzed to determine the appropriate values to be loaded into the Per-Column DOVA RAM (Column DOVA RAM, (Table 19), on page 27).

When the per-column feature is not used or necessary, the user loads a 5-bit value into the Column DOVA DC Register, (Table 17), on page 26 to perform a global offset adjust prior to the gain stages of the ASP.

2.2.3 Digitally Programmable Gain Amplifiers (DPGA)

Two DPGAs are available in the analog signal processing chain. These are used to perform white balance and exposure gain functions. Both are linearly programmable via 6-bit registers.

2.2.3.1 White Balance Control PGA

The sensor produces three primary color outputs, Red, Green and Blue. These are monochrome signals that represent luminance values in each of the primary colors. When added in equal amounts they mix to make neutral color. White balancing is a technique where the gain coefficients of the green(0), red, blue, and green(3) pixels comprising the Bayer pattern (see Figure 12.) are set so as to equalize their outputs for neutral color scenes. Since the sensitivity of the two green pixels in the Bayer pattern may not be equal, an individual color gain register is provided for each component of the Bayer pattern.

Once all color gain registers are loaded with the desired gain coefficients, white balance is achieved in real time and in analog space. The appropriate values are selected and applied to the pixel output via a high speed path, the delay of which is much shorter than the pixel clock rate. Real time updates can be performed to any of the gain registers. However, latency associated with the I²C interface should be taken into consideration before changes occur. In most applications, users will be able to assign predefined settings such as daylight, fluorescent, tungsten, and halogen to cover a wide gamut of illumination conditions.

Both DPGA designs use switched capacitors to minimize accumulated offset and improve measurement accuracy and dynamic range. The white balance gain registers are 6-bits and can be programmed to allow gain of 0.9x to 4.6x in steps of 0.06x.

The user programs the individual gain coefficients into the MCM20014 via the Color Gain Registers (Table 3 through Table 6). For the default Bayer configuration of the color filter array; Figure 4, the Color Gain Register addresses are as follows: Reg (00h): green pixel of a green-red row; Reg (01h): red pixel; Reg (02h): blue pixel; and Reg (03h): green pixel of a blue-green row.

The MCM20014 is presently available with only a Bayer CFA, however, it is designed to support other novel color configurations. This is accomplished via the Color Tile Configuration Register, (Table 7), on page 20 and the Color Tile Row Definition registers (Table 8 through Table 11).

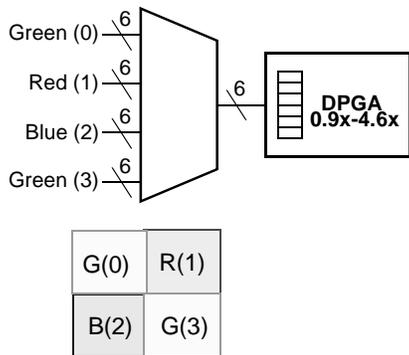


Figure 12. Color Gain Register Selection

2.2.3.2 Global Gain PGA

The global gain DPGA provides a 1.0x to 8.0x programmable gain adjustment for dynamic range. The gain of the amplifier is linearly programmable using a six bit gain coefficient in steps of 0.12x. The user programs the global gain via the DPGA Global Gain Register, (Table 16), on page 25.

2.2.4 Global Digital Offset Voltage Adjust (DOVA)

A programmable global offset adjustment is available on the MCM20014. A user defined offset value is loaded via a 6-bit signed magnitude programming code via the Global DOVA Register, (Table 20), on page 28.

Offset correction allows fine-tuning of the signal to remove any additional residual error which may have accumulated in the analog signal path. This function is performed directly before analog to digital conversion and introduces a fixed gain of 2.0X. This feature is useful in applications that need to insert a desired offset to adjust for a known system noise floor relative to AVSS and offsets of amplifiers in the analog chain.

2.2.5 Analog to Digital Converter (ADC)

The ADC is a fully differential, low power circuit. A pipelined, Redundant Signed Digit (RSD) algorithmic technique is used to yield an ADC with superior characteristics for imaging applications.

Integral Noise Linearity (INL) and Differential Noise Linearity (DNL) performance is specified at ± 1.0 and ± 0.5 , respectively, with no missing codes. The input voltage resolution is 2.44 mV with a full-scale $2.5 V_{pp}$ input ($2.5 V_{pp}/2^{10}$). The input dynamic range of the ADC is programmed via a Programmable Voltage Reference Generator. The positive reference voltage (VREFP) and negative reference voltages (VREFM) can be programmed from 2.5V to 1.25V and 0V to 1.25V respec-

tively in steps of 5mV via the Reference Voltage Registers (Table 12 and Table 13). This feature is used independently or in conjunction with the DPGAs to maximize the system dynamic range based on incident illumination. The default input range for the ADC is 1.9V for VREFP and 0.6V for VREFM hence allowing a 10 bit digitization of a 1.3V peak to peak signal.

2.3 Digital Signal Post Processing

The post ADC functions provide means for manipulating the 10-bit imager data. These functions are replacing bad pixels and output signal companding.

2.3.1 Bad Pixel Replacement

This block conditionally monitors and replaces any defective pixels on the imager. The user sets threshold values for extreme black and extreme white to detect bad pixels and independently enables/disables one or both detections. Threshold values are input via the White and Black Pixel Threshold Registers (Table 21 and Table 22 respectively) while the functions themselves are enabled via the Post ADC Control Register, (Table 23), on page 29.

The black threshold input sets the 8 LSBs of the minimum detection level. The 2 MSBs are hard coded to 00 hence giving a range of 0-255 for setting the black threshold levels. Any pixel value below the predefined black threshold level is replaced. Similarly the white threshold input sets the 8 LSBs of the maximum detection level. The 2 MSBs are hard coded to 11 allowing a range white threshold level settings between 768 and 1023 code levels. Any pixels value above the defined-white threshold level is replaced. The replacement value in either case is determined automatically by the control bus. Based on the location of the pixel, a decision to replace the pixel value by the same color average, leading or trailing pixel value is made.

2.3.2 Data Compander

The Data Compander allows coring of the lower order bits. In effect, it expands the values of lower signal levels and compresses high light scenes thereby allowing for on-chip contrast adjustments. The companding function performs an 8-bit transformation on the incoming 10-bit data stream. The output is made available on the upper 8 MSBs of the 10 bit output bus. The user can select one of the 8 transformation curves shown in Figure 13 via the Post ADC Control Register, (Table 23), on page 29. The bottom curve is linear in which the input is divided by four. For other choices, the I/O relationship is kept 1:1 up to a certain breakpoint. There onwards a straight line equation is used to transform the remaining input values.

The default is the linear curve, breakpoints can be selected via the slope and breakpoint control bits on the

Post ADC Control Register. This function can be bypassed to output 10-bit linear data.

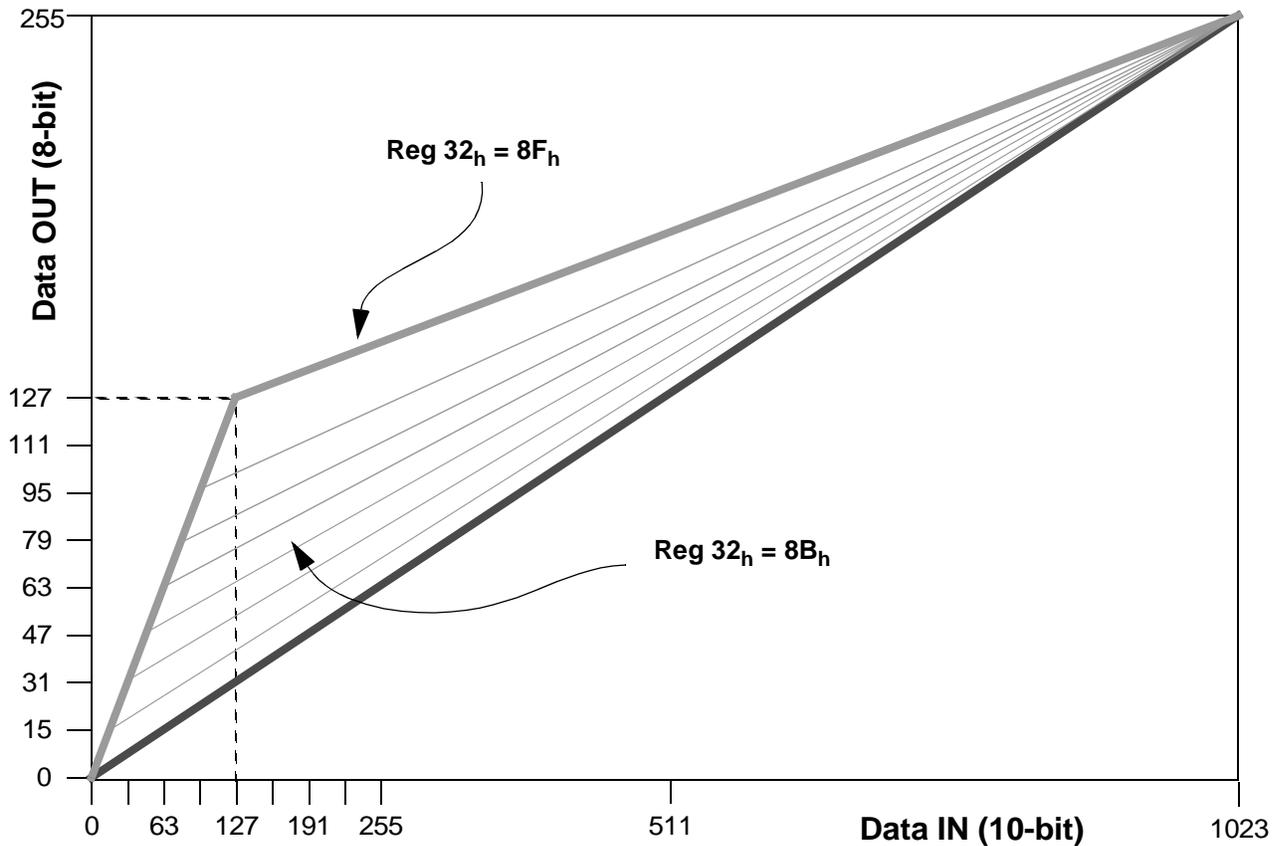


Figure 13. Available Companding Curves

2.4 Additional Operational Conditions

The MCM20014 includes initialization, standby modes, and external reference voltage outputs to afford the user additional applications flexibility.

2.4.1 Initialization

The INIT input pin (#28) controls reinitialization of the MCM20014. This serves to assure controlled chip and system startup. Control is asserted via a logic high input. This state must be held a minimum of 1 ms and a 1 ms “wait period” should be allowed before chip processing to ensure that the start-up routines within the MCM20014 have run to completion, and to guarantee that all holding and bypass capacitors, etc. have achieved their required steady state values.

Tasks which are accomplished during startup include: reset of the utility programming registers and initialization to their default values (please refer to previous sec-

tion for settings), reset of all internal counters and latches, and setup of the analog signal processing chain.

2.4.2 Standby Mode

The standby mode option is implemented to allow the user to reduce system power consumption during periods which do not require operation of the MCM20014. This feature allows the user to extend battery life in low power applications.

By utilizing this mode, the user may reduce dynamic power consumption from 400mW, in the active processing, 13 Million Samples per Second mode, to ≤ 50 mW in the standby mode (note that dynamic power consumption is also reduced in slower conversion speed applications).

The standby mode is activated by applying an active high signal to the STBY pin (#27). The sensor can also be put in the stand by mode via bit <0> on the Power Configuration Register (OC_h)

The user may also reduce power consumption in the active processing mode by placing the MCM20014's outputs in the tri-state mode. This action may be accomplished by placing the TS pin in the active high state. This action can also be accomplished by setting the **dbt** bit on the Power Configuration Register; Table 14, (OC_h).

2.4.3 References CVREFP, CVREFM

The MCM20014 contains all internally generated references and biases on-chip for system simplification. An internally generated differential bandgap regulator derives all the ADC and other analog signal processing required references. The user should connect 0.1 μ F

capacitors to the CVREFP and CVREFM pins (#19 and #18 respectively) to accurately hold the biases.

2.4.4 Internal Timing Control Register

The Internal Timing Control Register; Table 28 allows control over pulse widths of critical internal timing signals. The user must write an 00_h into this address location to assure proper operation of the MCM20014.

2.4.5 Internal Bias Current Control

The ASP chain has internally generated bias currents that result in an operating power consumption of nearly 400mW. By attaching a resistor between pin 13, EXTRES; and ground, the user can reduce the power consumption of the device. This feature is enabled by writing a 1_b to bit **res** of the Power Configuration Register. Figure 14 depicts the power savings that can be achieved with an external resistor at a specific clock rate. Additional power savings can be achieved at lower clock rates.

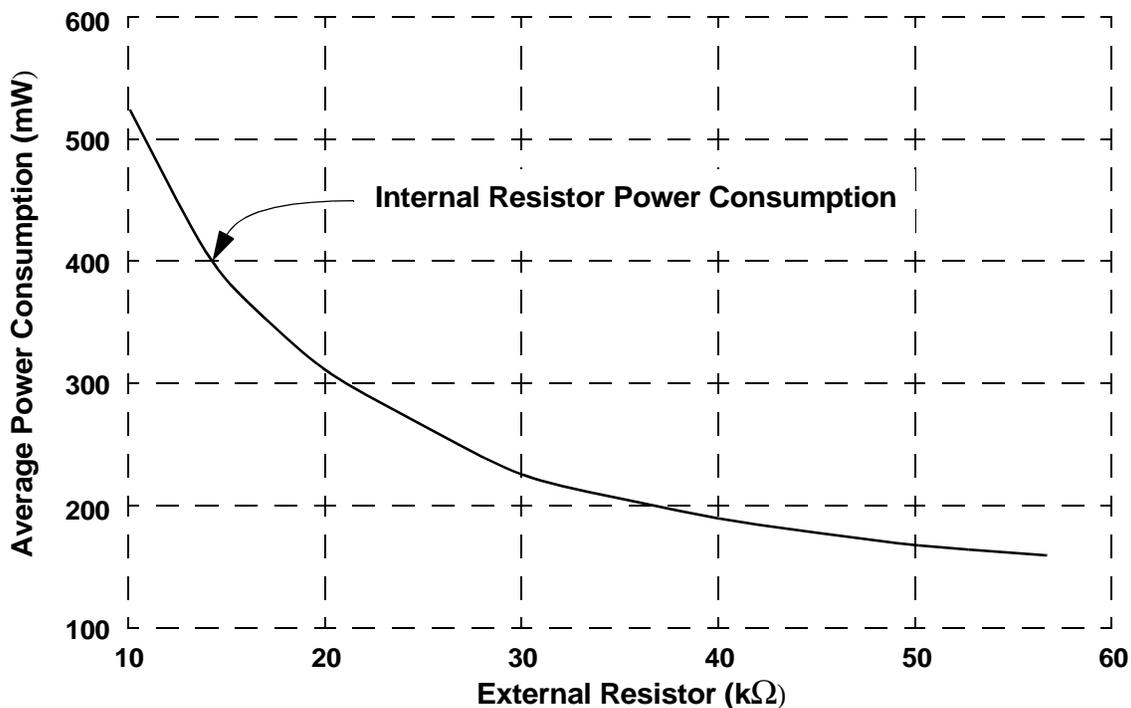


Figure 14. External Resistor Effect on Power Consumption at 13.5Mhz MCLK

3.0 MCM20014 Waveform Diagrams

The following set of diagrams depict the input/output waveform relationships for the pixel data.

3.1 CFCM Data Waveforms

The following set of waveforms depict the CFCM output data stream from a complete frame down to individual signal relationships. Figure 15 depicts a complete frame

of a CFCM output data stream in default mode. Figure 16 depicts the first row of data in the frame.

Figure 17 and Figure 18 depict the same CFCM waveforms with the Internal Timing Control Register loaded with an 00_h .

Figure 19 depicts a single frame output using CFCM. This is created by setting the **cms** bit of the Capture Mode Control Register, (Table 24), on page 31 to 1_b.

Figure 20 depicts the CFCM in interlaced output mode. This is created by setting the **sm** bit of the Sub-sample Control Register, (Table 25), on page 32 to 1_b.

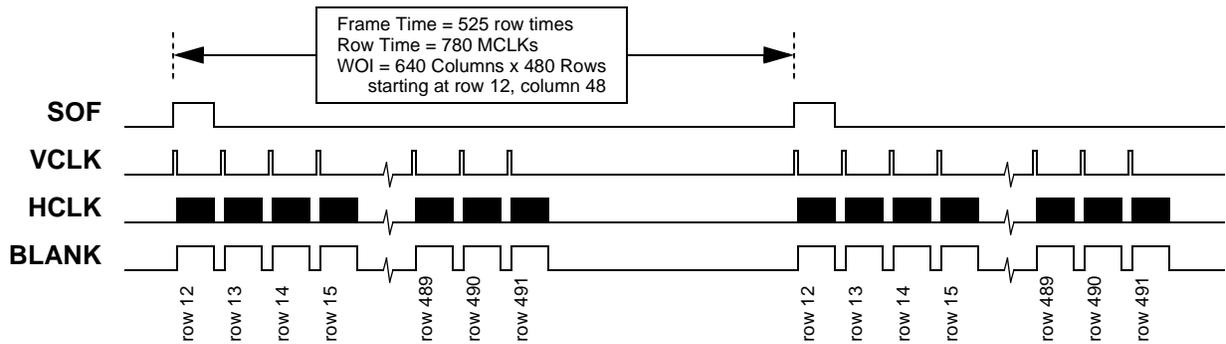


Figure 15. CFCM Default Frame Waveform

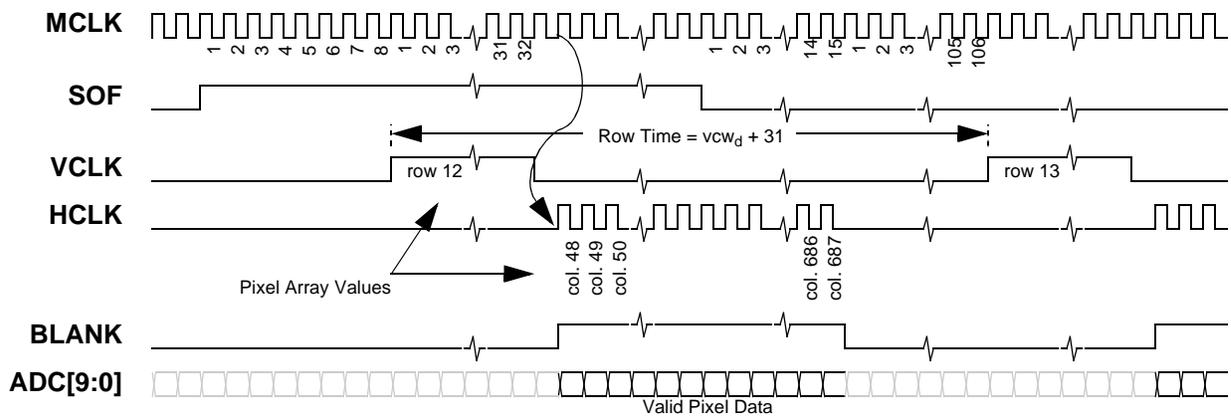


Figure 16. CFCM Default Line Waveform

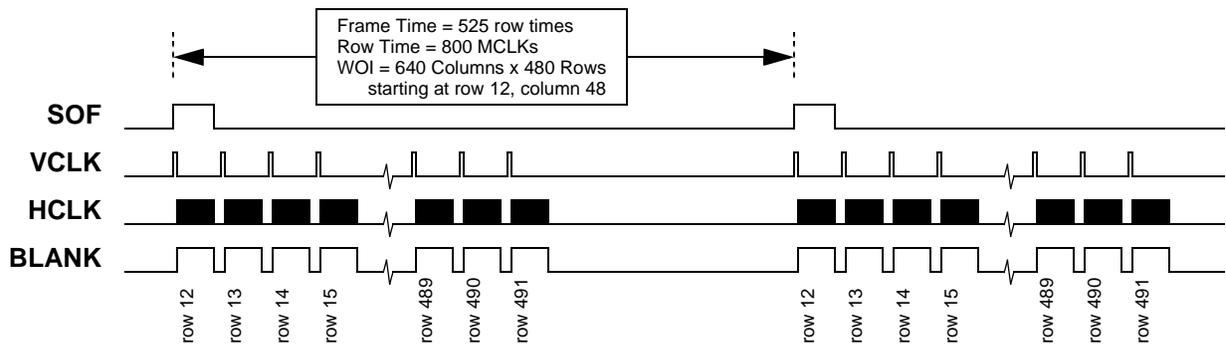


Figure 17. CFCM Frame Waveform with Internal Timing Control Register = 00_h

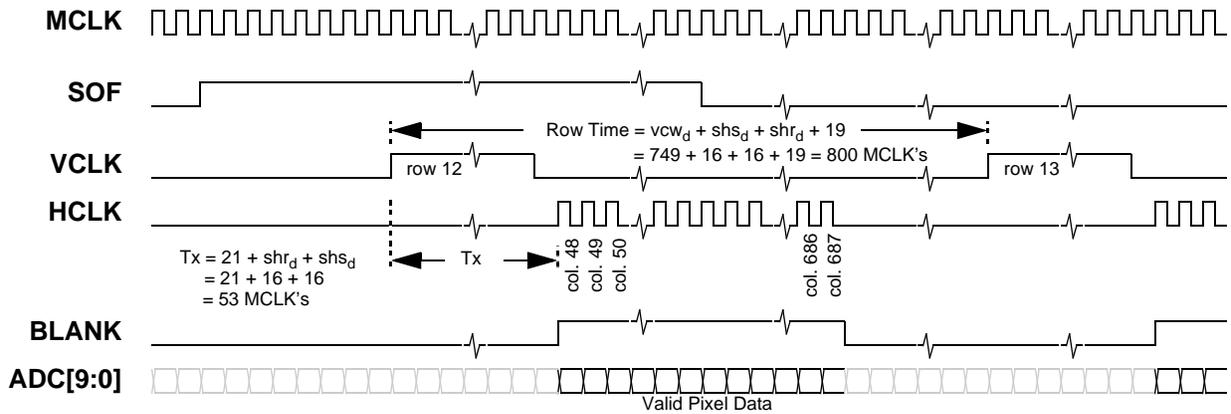


Figure 18. CFCM Line Waveform with Internal Timing Control Register = 00_h

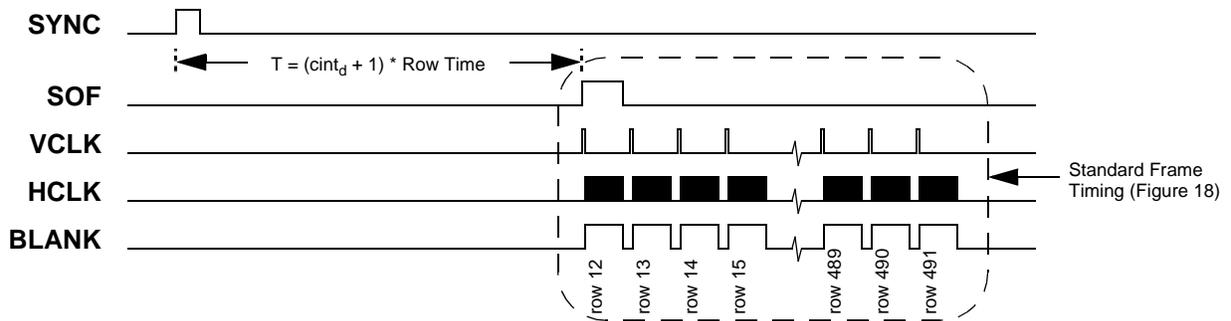


Figure 19. CFCM Single Frame Mode Waveform

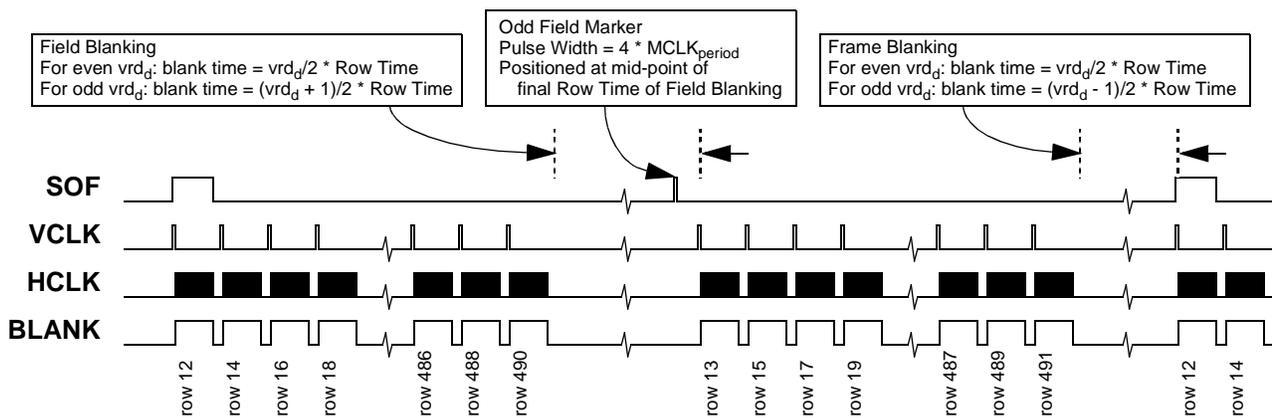


Figure 20. CFCM Interlaced Scan Mode Waveform

3.2 SFCM Data Waveforms

The following set of wave forms depict the SFCM output data stream from a complete frame down to individual signal relationships. Figure 21 depicts a complete frame

of a SFCM output data stream in default mode. Figure 22 depicts the first row of data in the frame.

Figure 23 and Figure 24 depict the same SFCM waveforms with the Internal Timing Control Register loaded with an 00_h.

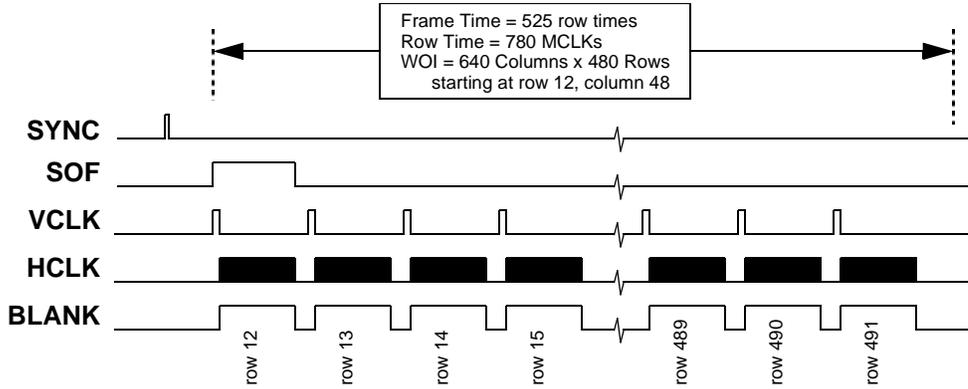


Figure 21. SFCM Default Frame Waveform

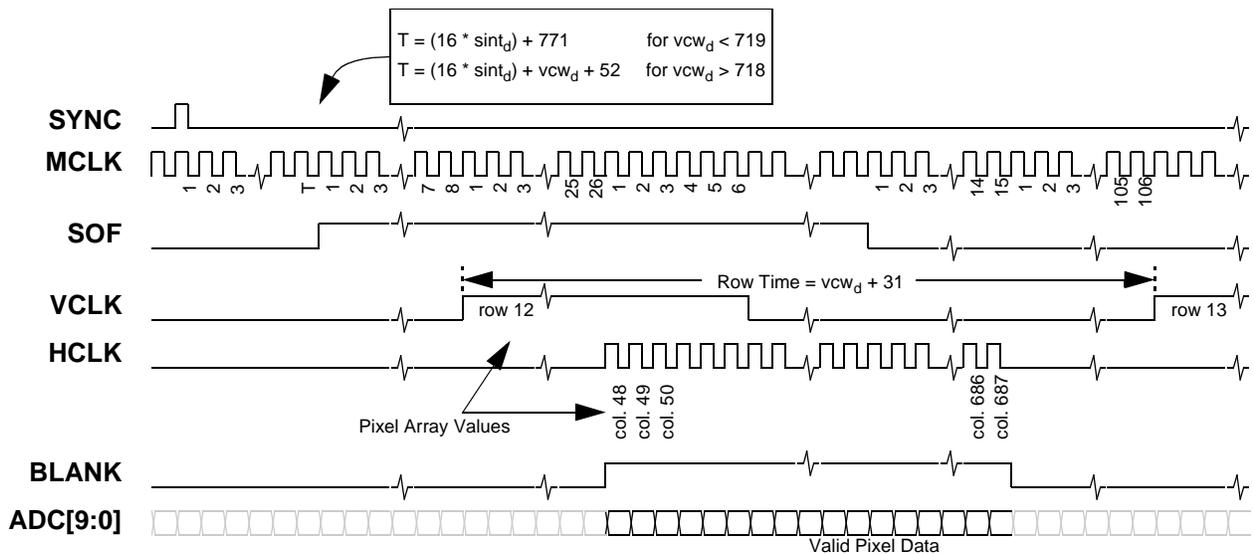


Figure 22. SFCM Default Line Waveform

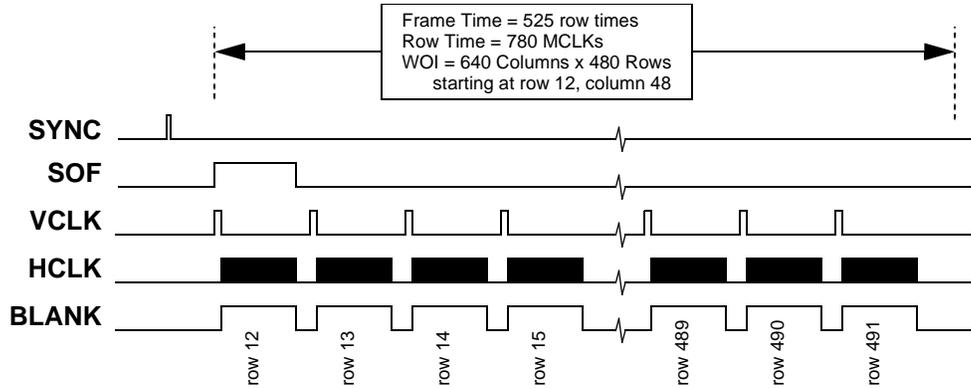


Figure 23. SFCM Frame Waveform with Internal Timing Control Register = 00_h

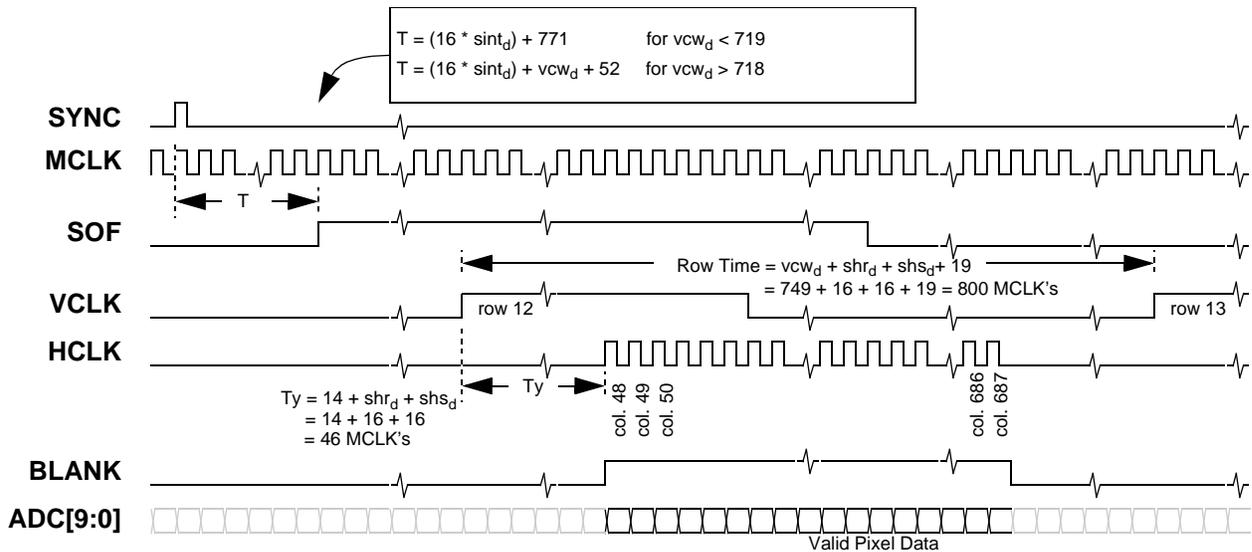


Figure 24. SFCM Line Waveform with Internal Timing Control Register = 00_h

4.0 MCM20014 Utility Programming Registers

4.1 Register Reference Map

The I²C addressing is broken up into groups of 16 and assigned to a specific digital block. The designated block is responsible for driving the internal control bus, when the assigned range of addresses are present on the internal address bus. The grouping designation and assigned range are listed in Table 1. Each block contains registers which are loaded and read by the digital and analog blocks to provide configuration control via the I²C serial interface.

Table 2 contains all the I²C address assignments. The table includes a column indicating whether the register values are shadowed with respect to the sensor inter-

Address Range	Block Name
00 _h - 0F _h	Analog Register Interface
10 _h - 1F _h	Global Gain
20 _h - 2F _h	Offset Calibration
30 _h - 3F _h	Post ADC
40 _h - 60 _h	Sensor Interface
61 _h - FF _h	Factory Use

Table 1. I²C Address Range Assignments

face. If the register is shadowed, the sensor interface will only be updated upon frame boundaries, thereby

eliminating intraframe artifacts resulting from register changes.

Hex Address	Register Function	Default	Ref. Table	Shadowed?
00 _h	DPGA Color 1 Gain Register (Green of Green-Red Row)	02 _h	Table 3, page 19	Yes
01 _h	DPGA Color 2 Gain Register (Red)	02 _h	Table 4, page 19	Yes
02 _h	DPGA Color 3 Gain Register (Blue)	02 _h	Table 5, page 20	Yes
03 _h	DPGA Color 4 Gain Register (Green of Blue-Green Row)	02 _h	Table 6, page 20	Yes
04 _h	<i>Unused</i>			
05 _h	Color Tile Configuration Register	05 _h	Table 7, page 20	No
06 _h	Color Tile Row 1 Definition Register	44 _h	Table 8, page 21	No
07 _h	Color Tile Row 2 Definition Register	EE _h	Table 9, page 22	No
08 _h	Color Tile Row 3 Definition Register	00 _h	Table 10, page 22	No
09 _h	Color Tile Row 4 Definition Register	00 _h	Table 11, page 23	No
0A _h	Negative Voltage Reference Code Register	76 _h	Table 12, page 23	No
0B _h	Positive Voltage Reference Code Register	80 _h	Table 13, page 24	No
0C _h	Power Configuration Register	00 _h	Table 14, page 24	No
0D _h	<i>Factory Use Only (set to 00h)</i>	00 _h		
0E _h	Reset Control Register	00 _h	Table 15, page 25	No
0F _h	Device Identification (read only)	23 _h		No
10 _h	DPGA Global Gain Register	00 _h	Table 16, page 25	Yes
11 _h - 1F _h	<i>Unused</i>			
20 _h	Column DOVA DC Register	00 _h	Table 17, page 26	Yes
21 _h	Column DOVA Control Register	00 _h	Table 18, page 27	No
22 _h	Column DOVA RAM	00 _h	Table 19, page 27	No
23 _h	Global DOVA Register	00 _h	Table 20, page 28	Yes
24 - 2F _h	<i>Unused</i>			
30 _h	White Pixel Threshold Register	FE _h	Table 21, page 29	No

Table 2. I²C Address Assignments

Hex Address	Register Function	Default	Ref. Table	Shadowed?
31 _h	Black Pixel Threshold Register	01 _h	Table 22, page 29	No
32 _h	Post ADC Control Register	30 _h	Table 23, page 29	No
33 _h - 3F _h	<i>Unused</i>			
40 _h	Capture Mode Control Register	35 _h	Table 24, page 31	Yes
41 _h	Sub-sample Control Register	00 _h	Table 25, page 32	Yes
42 _h - 44 _h	<i>Unused</i>			
45 _h	WOI Row Pointer MSB Register	00 _h	Table 29, page 35	Yes
46 _h	WOI Row Pointer LSB Register	0C _h	Table 30, page 35	Yes
47 _h	WOI Row Depth MSB Register	01 _h	Table 33, page 36	Yes
48 _h	WOI Row Depth LSB Register	DF _h	Table 34, page 36	Yes
49 _h	WOI Column Pointer MSB Register	00 _h	Table 31, page 35	Yes
4A _h	WOI Column Pointer LSB Register	30 _h	Table 32, page 36	Yes
4B _h	WOI Column Width MSB Register	02 _h	Table 35, page 37	Yes
4C _h	WOI Column Width LSB Register	7F _h	Table 36, page 37	Yes
4D _h	Integration Time MSB Register	00 _h	Table 37, page 38	Yes
4E _h	Integration Time ISB Register	02 _h	Table 38, page 38	Yes
4F _h	Integration Time LSB Register	0C _h	Table 39, page 39	Yes
50 _h	CFCM Virtual Frame Row Depth MSB Register	02 _h	Table 40, page 39	Yes
51 _h	CFCM Virtual Frame Row Depth LSB Register	0C _h	Table 41, page 40	Yes
52 _h	CFCM Virtual Frame Column Width MSB Register	02 _h	Table 42, page 40	Yes
53 _h	CFCM Virtual Frame Column Width LSB Register	ED _h	Table 43, page 41	Yes
54 _h	SOF Control Register	C0 _h	Table 26, page 33	No
55 _h	VCLK Control Register	90 _h	Table 27, page 33	No
56 _h - 5F _h	<i>Unused</i>			
60 _h	Internal Timing Control Register	66 _h	Table 28, page 34	Yes
61 _h - 64 _h	<i>Factory Use Only</i>			
65 _h - FF _h	<i>Unused</i>			

Table 2. I²C Address Assignments (Continued)

5.0 Detailed Register Block Assignments

This section describes in further detail the functional operation of the various MCM20014 programmable registers. The registers are subdivided into various blocks for ease of addressability and use (see Table 1).

In each table where a suffix code is used; h = hex, b = binary, and d = decimal.

5.1 Analog Register Interface Block

The address range for this block is 00_h to 0F_h.

5.1.1 Analog Color Configuration

The four Color Gain Registers, Color Tile Configuration Register, and four Color Tile Row definitions define how white balance is achieved on the device. Six-bit gain codes can be selected for four separate colors: Table 3, Table 4, Table 5, and Table 6. Gain for each individual color register is programmable given the gain function defined in the table. The user programs these registers to account for changing light conditions to assure a white balanced output. The default value in each register is provided for a unity gain. In addition, the default CFA pattern color is listed in the title of each register.

Address 00 _h	DPGA Color 1 Gain Code Green of Green-Red Row						Default 02 _h
msb (7)	6	5	4	3	2	1	lsb (0)
x	x	cg1[5]	cg1[4]	cg1[3]	cg1[2]	cg1[1]	cg1[0]
Bit Number	Function	Description					Reset State
7 - 6	Unused	Unused					xx
5 - 0	Gain	Gain = 0.88 + (0.06 * cg1 _d)					000010 _b

Table 3. DPGA Color 1 Gain Register

Address 01 _h	DPGA Color 2 Gain Code Red						Default 02 _h
msb (7)	6	5	4	3	2	1	lsb (0)
x	x	cg2[5]	cg2[4]	cg2[3]	cg2[2]	cg2[1]	cg2[0]
Bit Number	Function	Description					Reset State
7 - 6	Unused	Unused					xx
5 - 0	Gain	Gain = 0.88 + (0.06 * cg2 _d)					000010 _b

Table 4. DPGA Color 2 Gain Register

Address 02 _h	DPGA Color 3 Gain Code Blue						Default 02 _h
msb (7)	6	5	4	3	2	1	lsb (0)
x	x	cg3[5]	cg3[4]	cg3[3]	cg3[2]	cg3[1]	cg3[0]
Bit Number	Function	Description					Reset State
7 - 6	Unused	Unused					xx
5 - 0	Gain	Gain = 0.88 + (0.06 * cg3 _d)					000010 _b

Table 5. DPGA Color 3 Gain Register

Address 03 _h	DPGA Color 4 Gain Code Green of Blue-Green Row						Default 02 _h
msb (7)	6	5	4	3	2	1	lsb (0)
x	x	cg4[5]	cg4[4]	cg4[3]	cg4[2]	cg4[1]	cg4[0]
Bit Number	Function	Description					Reset State
7 - 6	Unused	Unused					xx
5 - 0	Gain	Gain = 0.88 + (0.06 * cg4 _d)					000010 _b

Table 6. DPGA Color 4 Gain Register

The Color Tile Configuration Register; Table 7, defines the maximum number of lines and the maximum number of colors per line. A maximum of four row and four column definitions are permitted. The Color Tile Configuration Register defaults to two lines and two colors per

line. The user should leave this register in default unless a unique CFA option has been ordered.

This register can be configured to any pattern combination of 1, 2, or 4 rows and 1, 2, or 4 columns.

Address 05 _h	Color Tile Configuration						Default 05 _h
msb (7)	6	5	4	3	2	1	lsb (0)
x	x	x	x	nc[1]	nc[0]	nr[1]	nr[0]
Bit Number	Function	Description					Reset State
7 - 4	Unused	Unused					xxxx

Table 7. Color Tile Configuration Register

Address 05 _h	Color Tile Configuration						Default 05 _h
msb (7)	6	5	4	3	2	1	lsb (0)
x	x	x	x	nc[1]	nc[0]	nr[1]	nr[0]
3 - 2	Columns	00 _b = 1 Column in tile. 01 _b = 2 Columns in tile. 1x _b = 4 Columns in tile.					01 _b
1 - 0	Rows	00 _b = 1 Row in tile. 01 _b = 2 Rows in tile. 1x _b = 4 Rows in tile.					01 _b

Table 7. Color Tile Configuration Register

The Color Tile Row Definition registers; Table 8, Table 9, Table 10, and Table 11 define the sequence of colors for each respective line. Each byte wide line definition allows a maximum of four unique color definitions using 2 bits per color in a given line. Gain programming for each color was described earlier in this section. The default line definitions are colors 00_b, 01_b, 00_b, 01_b for row 1 and 10_b, 11_b, 10_b, 11_b for row 2 which supports a Bayer pattern as defined in section 2.1.2. The user should

leave these registers in default unless a unique CFA option has been ordered.

For the default Bayer configuration of the color filter array; Figure 4, the Color Gain Register addresses are as follows: Reg (00_h): green pixel of a green-red row; Reg (01_h): red pixel; Reg (02_h): blue pixel; and Reg (03_h): green pixel of a blue-green row. The predefined gain values programmed in the respective registers are applied to pixel outputs as they are being read.

Address 06 _h	Color Tile Row 1 Definition Green - Red Row						Default 44 _h
msb (7)	6	5	4	3	2	1	lsb (0)
r1c4[1]	r1c4[0]	r1c3[1]	r1c3[0]	r1c2[1]	r1c2[0]	r1c1[1]	r1c1[0]
Bit Number	Function	Description					Reset State
7 - 6	Color 4	Fourth Color in Row 1 (Red)					01 _b
5 - 4	Color 3	Third Color in Row 1 (Green)					00 _b
3 - 2	Color 2	Second Color in Row 1 (Red)					01 _b
1 - 0	Color 1	First Color in Row 1 (Green)					00 _b

Table 8. Color Tile Row 1 Definition Register

Address 07 _h	Color Tile Row 2 Definition Blue - Green Row						Default EE _h
msb (7)	6	5	4	3	2	1	lsb (0)
r2c4[1]	r2c4[0]	r2c3[1]	r2c3[0]	r2c2[1]	r2c2[0]	r2c1[1]	r2c1[0]
Bit Number	Function	Description					Reset State
7 - 6	Color 4	Fourth Color in Row 2 (Green)					11 _b
5 - 4	Color 3	Third Color in Row 2 (Blue)					10 _b
3 - 2	Color 2	Second Color in Row 2 (Green)					11 _b
1 - 0	Color 1	First Color in Row 2 (Blue)					10 _b

Table 9. Color Tile Row 2 Definition Register

Address 08 _h	Color Tile Row 3 Definition Unused						Default 00 _h
msb (7)	6	5	4	3	2	1	lsb (0)
r3c4[1]	r3c4[0]	r3c3[1]	r3c3[0]	r3c2[1]	r3c2[0]	r3c1[1]	r3c1[0]
Bit Number	Function	Description					Reset State
7 - 6	Color 4	Fourth Color in Row 3					00 _b
5 - 4	Color 3	Third Color in Row 3					00 _b
3 - 2	Color 2	Second Color in Row 3					00 _b
1 - 0	Color 1	First Color in Row 3					00 _b

Table 10. Color Tile Row 3 Definition Register

Address 09 _h	Color Tile Row 4 Definition Unused						Default 00 _h
msb (7)	6	5	4	3	2	1	lsb (0)
r4c4[1]	r4c4[0]	r4c3[1]	r4c3[0]	r4c2[1]	r4c2[0]	r4c1[1]	r4c1[0]
Bit Number	Function	Description					Reset State
7 - 6	Color 4	Fourth Color in Row 4					00 _b
5 - 4	Color 3	Third Color in Row 4					00 _b
3 - 2	Color 2	Second Color in Row 4					00 _b
1 - 0	Color 1	First Color in Row 4					00 _b

Table 11. Color Tile Row 4 Definition Register

5.1.2 Reference Voltage Adjust Registers

The analog register block allows programming the input voltage range of the analog to digital converter to match the saturation voltage of the pixel array. The voltage reference generator can be programmed via two registers; **nrv** (0 to 1.25V) Table 12, **prv** (2.5V to 1.25V) Table 13, in 5mV steps. A 00_h value in the **prv** register represents

a reference output voltage of 2.5V. A 00_h value in the **nrv** register represents output voltage of 0V. The default settings for the two registers produce a 1.9V reference on **prv** and 0.6V on **nrv** outputs. When adjusting these values, the user should keep the voltage range centered around 1.25V.

Address 0A _h	Voltage Reference “Negative” Code						Default 76 _h
msb (7)	6	5	4	3	2	1	lsb (0)
nrv[7]	nrv[6]	nrv[5]	nrv[4]	nrv[3]	nrv[2]	nrv[1]	nrv[0]
Bit Number	Function	Description					Reset State
7 - 0	Reference	Voltage = 0.0 + (5mV * nrc _d)					01110110 _b (0.6V)

Table 12. Negative Voltage Reference Code Register

Address 0B _h	Voltage Reference “Positive” Code						Default 80 _h
msb (7)	6	5	4	3	2	1	lsb (0)
prv[7]	prv[6]	prv[5]	prv[4]	prv[3]	prv[2]	prv[1]	prv[0]
Bit Number	Function	Description					Reset State
7 - 0	Reference	Voltage = 2.5 - (5mV * prv _d)					10000000 _b (1.9V)

Table 13. Positive Voltage Reference Code Register

5.1.3 Analog Control Registers

The Analog Register Block also contains a Power Configuration Register; Table 14, and a Reset Control Register; Table 15.

The Power Configuration Register controls the internal analog functionality that directly effect power consumption of the device. An external precision resistor pin is available on the MCM20014 that may be used to more accurately regulate the internal current sources. This serves to minimize variations in power consumption that are caused by variations in internal resistor values as well as offer a method to reduce the power consumption of the device. The default for this control uses the inter-

nally provided resistor which is nominally 12.5kΩ. This feature is enabled by setting the **res** bit of the Power Configuration Register and placing a resistor between the pin; EXTRES, and ground. Figure 14 depicts the power savings that can be achieved with an external resistor at a specific clock rate. Power is further reduced at lower clock rates.

The databus output; ADC[9:0], is tristated using the Power Configuration Register by setting the **dbt** bit.

The MCM20014 is put into a standby mode via the I²C interface by setting the **sby** bit of the Power Configuration Register.

Address 0C _h	Power Configuration						Default 00 _h
msb (7)	6	5	4	3	2	1	lsb (0)
x	res	fuo	fuo	fuo	fuo	dbt	sby
Bit Number	Function	Description					Reset State
7	Unused	Unused					x
6	Int/Ext Resistor	0 _b = Internal Resistor 1 _b = External Resistor					0 _b
5 - 2	FUO	Factory Use Only					0000 _b
1	Tristate Enable	0 _b = Output Data Bus enabled 1 _b = Output Data Bus in Tristate					0 _b
0	Software Standby	0 _b = Soft Standby inactive 1 _b = Soft Standby active					0 _b

Table 14. Power Configuration Register

Additional control of the MCM20014 can be had using the Reset Control Register; Reset Control Register; Table 15. Setting the **clt** bit of this register will tristate the sync signals SOF, VCLK, and HCLK.

Setting the **ssr** bit of this register will reset all the non-user programmable registers to a known reset state. This is useful in situations when control of the MCM20014 has been lost due to system interrupts and

the device needs only to be restarted using the earlier user programmed values.

Setting the **sit** bit allows the user to completely reset the MCM20014 to the default state via the serial control interface.

For both reset bits, **ssr** and **sit**, the user must return those bits to 0 to enable continued operation.

Address 0E _h	Reset Control						Default 00 _h
msb (7)	6	5	4	3	2	1	lsb (0)
x	x	x	x	x	clt	ssr	sit
Bit Number	Function	Description					Reset State
7 - 3	Unused	Unused					xxxxx
2	Tristate	0 _b = SOF, VCLK, and HCLK Output Enabled 1 _b = SOF, VCLK, and HCLK Output in Tristate					0 _b
1	State Reset	0 _b = Normal Mode 1 _b = Reset all non-programmable registers to the default state					0 _b
0	Soft Reset	0 _b = Normal Mode 1 _b = Reset all registers to default state					0 _b

Table 15. Reset Control Register

5.2 Gain Calibration Block

The DPGA Global Gain Register; Table 16, allows the user to set a global gain via a 6 bit register this is applied universally to all the pixel outputs. This enables the user

to account for varying light conditions using a gain range of 1x to 8x in steps of 0.12x. The default value for this register results in unity gain.

Address 10 _h	Global Gain						Default 00 _h
msb (7)	6	5	4	3	2	1	lsb (0)
x	x	gg[5]	gg[4]	gg[3]	gg[2]	gg[1]	gg[0]
Bit Number	Function	Description					Reset State
7 - 6	Unused	Unused					xx
5 - 0	Gain	Gain = 1 + (0.12 * gg _d)					000000 _b

Table 16. DPGA Global Gain Register

5.3 Offset Calibration Block

Offset adjustments for the MCM20014 are done in separate sections of the ASP to facilitate FPN removal and final image black level set.

The Column DOVA DC Register; Table 17, is used to set the initial offset of the pixel output in a range that will facilitate per-column offset data generation for varying

operational conditions. In most operational scenarios, this register can be left in its default state of 00_h.

This register can also be used to apply a global offset adjust. In this case, the user must take into account the Color Gain and Global Gain registers to determine the resulting offset at the output.

Address 20 _h	Column DOVA DC						Default 00 _h
msb (7)	6	5	4	3	2	1	lsb (0)
x	x	cdd[5]	cdd[4]	cdd[3]	cdd[2]	cdd[1]	cdd[0]
Bit Number	Function	Description					Reset State
7 - 6	Unused	Unused					xx
5	Sign	0 _b = Positive Offset 1 _b = Negative Offset					0 _b
4 - 0	Column DC Offset	Offset = 2 * cdd _d					00000 _b

Table 17. Column DOVA DC Register

The Column DOVA Control Register; Table 18, is used to control the Column DOVA functionality and operational modes.

Setting bit **ece** enables the per-column DOVA to be used and the per-column offset values loaded into the DOVA RAM will be applied to the pixel output. The global DOVA adjust circuit is enabled by default.

Setting the **cntr** bit resets the internal counter used to repetitively load the RAM with user defined data. This is used in cases where the system controller loses control of the I²C bus while writing to the Column DOVA RAM.

Setting the **cal** bit configures the Column DOVA RAM using internally generated offset data. When the MCM20014 is first initiated, it will automatically generate and load the Column DOVA RAM with the appropriate data. However, if operational conditions such as temperature or operating frequency change, the user can use the **cal** bit to re-determine the appropriate column data.

The automatic calibration data is calculated using the average differential offset across four dark rows. This feature does not create the most effective data for reducing the column oriented fixed pattern noise of the device. The user can calculate the column offset data

using their own algorithm and load this data via the I²C bus as defined in this section.

Address 21 _h	Column DOVA Control						Default 00 _h
msb (7)	6	5	4	3	2	1	lsb (0)
fu0	fu0	fu0	ece	fu0	fu0	cntr	cal
Bit Number	Function	Description					Reset State
7 - 5	FUO	Factory Use Only					000 _b
4	Column DOVA Enable	1 _b = Column DOVA enabled (Register 22 _h) 0 _b = Global DOVA enabled (Register 20 _h)					0 _b
3 - 2	FUO	Factory Use Only					00 _b
1	Counter Reset	0 _b = Counter Reset inactive 1 _b = Counter Reset active					0 _b
0	Calibration	0 _b = Self Calibration disabled 1 _b = Self Calibration enabled					0 _b

Table 18. Column DOVA Control Register

The Column DOVA RAM; Table 19, is a 704 by 4-bit vector that contains the per-column offset adjustment used to eliminate column based offset FPN. This RAM is automatically loaded with internally generated data upon initialization and can be automatically reloaded as defined earlier in this section.

The user can generate the DOVA RAM contents and then load them into the RAM by performing a repetitive write cycle to the same I²C address. An internal counter will step the internal RAM address automatically from

column 0 to column 703 where column 0 is defined as the left-most column of the pixel array. The user should set and reset the **cntr** bit of the Column DOVA Control Register, prior to loading the Column DOVA RAM to assure proper addressing.

When the user is calculating values to be loaded into the DOVA RAM, the fixed gain of 2x in the ASP after the Column DOVA circuit must be taken into account. Therefore, each code value in the DOVA RAM represents 2 code values in the 10-bit ADC output.

Address 22 _h	Column DOVA RAM						Default 00 _h
msb (7)	6	5	4	3	2	1	lsb (0)
x	x	x	x	cor[3]	cor[2]	cor[1]	cor[0]
Bit Number	Function	Description					Reset State
7 - 4	Unused	Unused					xxx
3	Sign	0 _b = Positive Offset 1 _b = Negative Offset					auto

Table 19. Column DOVA RAM

Address 22 _h	Column DOVA RAM						Default 00 _h
msb (7)	6	5	4	3	2	1	lsb (0)
x	x	x	x	cor[3]	cor[2]	cor[1]	cor[0]
2 - 0	Offset	Offset = 2 * cor _d					auto

Table 19. Column DOVA RAM

The Global DOVA Register; Table 20 performs a final offset adjustment in analog space prior to the ADC. The 6-bit register uses its MSB to indicate positive or negative offset. Each bit value changes the offset value by 4

LSB code levels hence giving an offset range of +/-124 LSB. As an example, to program an offset of +92 LSB, the binary representation of +23_d i.e. 010111_b should be loaded.

Address 23 _h	Global DOVA						Default 00 _h
msb (7)	6	5	4	3	2	1	lsb (0)
x	x	gd[5]	gd[4]	gd[3]	gd[2]	gd[1]	gd[0]
Bit Number	Function	Description					Reset State
7 - 6	Unused	Unused					xx
5	Sign	0 _b = Positive Offset 1 _b = Negative Offset					0 _b
5 - 0	Offset	Offset = gd _d					00000 _b

Table 20. Global DOVA Register

5.4 Post ADC Block

The post ADC block contains the bad-pixel replacement registers and a general output control register.

The White Pixel Threshold Register; Table 21, and Black Pixel Threshold Register; Table 22, are used to set the thresholds for white and black pixel replacements. The MSBs on the Black Pixel Threshold Register are hard coded to 00_b hence a black replacement threshold value between 0_d - 255_d can be set. This forces the sensor to replace any pixel value at or below the threshold by the average value of the neighboring same color pixels. Similarly the MSBs on the White Pixel Threshold Register are hard coded to 11_b hence a white replacement threshold level between 768_d - 1023_d can be set. Again; as in the dark thresholding, if the sensor encounters any pixel value that exceeds the set threshold, it will replace it with the average value of the neighboring same color pixels.

Care should be taken in assigning these thresholds. This function performs an averaging effect on the image, therefore, the greater the code distance the thresholds move from the voltage rail, the more averaging occurs between pixels.

Address 30 _h	White Pixel Threshold						Default FE _h
msb (7)	6	5	4	3	2	1	lsb (0)
wpt[7]	wpt[6]	wpt[5]	wpt[4]	wpt[3]	wpt[2]	wpt[1]	wpt[0]
Bit Number	Function	Description					Reset State
7 - 0	Threshold	Threshold = wpt[1 _b ,1 _b ,7:0]					11111110 _b

Table 21. White Pixel Threshold Register

Address 31 _h	Black Pixel Threshold						Default 01 _h
msb (7)	6	5	4	3	2	1	lsb (0)
bpt[7]	bpt[6]	bpt[5]	bpt[4]	bpt[3]	bpt[2]	bpt[1]	bpt[0]
Bit Number	Function	Description					Reset State
7 - 0	Threshold	Threshold = bpt[0 _b ,0 _b ,7:0]					00000001 _b

Table 22. Black Pixel Threshold Register

The Post ADC Control Register; Table 23, performs certain rudimentary transformations on the digitized data.

The **wpe** and **bpe** bits are used to enable or disable the White Bad-pixel replacement and Black Bad-pixel replacement algorithms respectively. These algorithms are described in section 2.3.1 and above.

The **cpe** bit enables the compander which provides for the 10 to 8 bit noise coring described in section 2.3.2. One of 8 available transform curves can be selected by using the **cps** and **cpb**[2:0] bits. The slope of the transform is defined using **cps** while **cpb**[2:0] defines the breakpoint. Please see Figure 13, on page 11.

Address 32 _h	Post ADC Control						Default 30 _h
msb (7)	6	5	4	3	2	1	lsb (0)
cpe	fuo	wpe	bpe	cps	cpb[2]	cpb[1]	cpb[0]
Bit Number	Function	Description					Reset State
7	Com- pander Enable	0 _b = Compander Disabled 1 _b = Compander Enabled					0 _b

Table 23. Post ADC Control Register

Address 32 _h	Post ADC Control						Default 30 _h
msb (7)	6	5	4	3	2	1	lsb (0)
cpe	fuo	wpe	bpe	cps	cpb[2]	cpb[1]	cpb[0]
6	FUO	FUO					0 _b
5	White Enable	0 _b = Disable White Bad Pixel Replacement 1 _b = Enable White Bad Pixel Replacement					1 _b
4	Black Enable	0 _b = Disable Black Bad Pixel Replacement 1 _b = Enable Black Bad Pixel Replacement					1 _b
3	Com- pander Slope	0 _b = Invalid when cpb[2:0] ≠ 000 _b 1 _b = 1:1 input:output					0 _b
2 - 0	Com- pander Knee	000 _b = linear 001 _b = 15 on the output axis. 010 _b = 31 on the output axis. 011 _b = 47 on the output axis. 100 _b = 63 on the output axis. 101 _b = 79 on the output axis. 110 _b = 95 on the output axis. 111 _b = 127 on the output axis.					000 _b

Table 23. Post ADC Control Register

5.5 Sensor Interface Block

5.5.1 Sensor Output Control

The sensor output control registers define how the window of interest is captured and what data is output from the MCM20014.

The Capture Mode Control Register; Table 24, defines how the data is captured and how the data is to be provided at the output.

The **sms** bit defines the shutter mode, CFCM or SFCM, of the device as described in section 2.1.3. CFCM is the default mode.

Setting the **cms** bit will stop the current CFCM output data stream at the end of the current frame. Unsetting this bit (**cms** = 0_b) will resume the output of the frame stream. The MCM20014 is in CFCM in default. The user may use this bit to capture data in the CFCM mode while using the SYNC pin. The SYNC pin triggers a single frame of data to be output from the device in the CFCM mode. Please refer to Figure 19, on page 14 for a timing diagram of this mode.

The **frc** bit is used to enable or disable the Frame Rate Clamp. Unsetting this bit will turn off the frame rate clamp and the output dark level will begin to drift over frames. The frame rate clamp is enabled in default mode.

The **sp** bit is used to define whether SOF is active high or low. SOF is active high in default.

The **ve** bit is used to determine whether VCLK is output at the beginning of all the rows including virtual frame rows or for the WOI rows only. The default is WOI only.

The **vp** bit is used to define whether VCLK is active high or low. VCLK is active high in default.

The **he** bit is used to determine whether HCLK is output continuously or for the WOI pixels only. The default is WOI only.

The **hp** bit is used to define whether HCLK is active high or low. HCLK is active high in default.

Address 40 _h	Capture Mode Control						Default 35 _h
msb (7)	6	5	4	3	2	1	lsb (0)
sms	cms	frc	sp	ve	vp	he	hp
Bit Number	Function	Description					Reset State
7	Shutter Mode	0 _b = CFCM 1 _b = SFCM					0 _b
6	CFCM Mode	0 _b = Continuous Frame Stream 1 _b = Single Frame					0 _b
5	Frame Clamp	1 _b = Frame Rate Clamp enabled 0 _b = Frame Rate Clamp disabled					1 _b
4	SOF Phase	1 _b = SOF active high 0 _b = SOF active low					1 _b
3	VCLK Enable	1 _b = All virtual frame rows 0 _b = Window of Interest rows only					0 _b
2	VCLK Phase	1 _b = Active high 0 _b = Active low					1 _b
1	HCLK Enable	1 _b = Continuous 0 _b = Window of Interest Pixels only					0 _b
0	HCLK Phase	1 _b = Active high 0 _b = Active low					1 _b

Table 24. Capture Mode Control Register

The Sub-sample Control Register; Table 25, is used to define what pixels of the WOI are read and the method they are read.

The **sm** bit determines the readout mode, defined in section 2.1.4, of the MCM20014, progressive scan or interlaced. In default, data is read out in progressive scan mode.

Using the **cm** bit, the user can sample the pixel array in either monochrome or Bayer pattern color space. This means that when sampling the rows or columns, the set of pixels read will be gathered as individual pixels (monochrome) or in color tiles of pixels (Bayer pattern). The pixels will be read in monochrome mode in default.

The **ptm** bit is used to define how the pixels are output in time. Setting this bit to a 1_b will cause the MCM20014 to output the pixels at the same point in time it would have if the pixel array was fully sampled. Setting this bit to a 0_b (default) will cause the device to burst each row of pixels out at the normal MCLK rate.

The row sampling rate is defined by **rf**[1:0] while the column sampling rate is defined by **cf**[1:0]. The pixel array is fully sampled in default.

Address 41 _h	Sub-sample Control						Default 00 _h
msb (7)	6	5	4	3	2	1	lsb (0)
x	sm	cm	ptm	rf[1]	rf[0]	cf[1]	cf[0]
Bit Number	Function	Description					Reset State
7	Unused	Unused					x
6	Scan Mode	1 _b = Interlaced scan 0 _b = Progressive scan					0 _b
5	Color Mode	1 _b = Bayer Pattern Sampling 0 _b = Monochrome Pattern Sampling					0 _b
4	Pixel Timing Mode	1 _b = Output sampled pixels at same time interval as in full sampling 0 _b = Output sampled pixels at MCLK rate					0 _b
3 - 2	Row Frequency	11 _b = read one pattern, skip 7 (1/8 sampled) 10 _b = read one pattern, skip 3 (1/4 sampled) 01 _b = read one pattern, skip one (1/2 sampled) 00 _b = full sampling					00 _b
1 - 0	Column Frequency	11 _b = read one pattern, skip 7 (1/8 sampled) 10 _b = read one pattern, skip 3 (1/4 sampled) 01 _b = read one pattern, skip one (1/2 sampled) 00 _b = full sampling					00 _b

Table 25. Sub-sample Control Register

The SOF Control Register and VCLK Control Register; Table 26 and Table 27 respectively, are used to define

the size of the SOF and VCLK signals. In default, SOF is one row wide while VLCK is 32 MCLKs wide.

Address 54 _h	SOF Control						Default C0 _h
msb (7)	6	5	4	3	2	1	lsb (0)
sof[7]	sof[6]	sof[5]	sof[4]	sof[3]	sof[2]	sof[1]	sof[0]
Bit Number	Function	Description					Reset State
7 - 6	SOF Control	sof[7:6] = 00 _b = 1 MCLK Wide sof[7:6] = 01 _b = 8 MCLKs Wide sof[7:6] = 10 _b = 32 MCLKs Wide sof[7:6] = 11 _b = Full Row Wide					11 _b
5 - 0	FUO	Factory Use Only					000000 _b

Table 26. SOF Control Register

Address 55 _h	VCLK Control						Default 90 _h
msb (7)	6	5	4	3	2	1	lsb (0)
vck[7]	vck[6]	vck[5]	vck[4]	vck[3]	vck[2]	vck[1]	vck[0]
Bit Number	Function	Description					Reset State
7 - 6	VCLK Control	vck[7:6] = 00 _b = 1 MCLK Wide vck[7:6] = 01 _b = 8 MCLKs Wide vck[7:6] = 10 _b = 32 MCLKs Wide vck[7:6] = 11 _b = Full Row Wide					10 _b
5 - 0	FUO	Factory Use Only					010000 _b

Table 27. VCLK Control Register

The Internal Timing Control Register; Table 28, is used to define the size of internal timing pulse widths. In default, both **shs** and **shr** are 6 MCLK's wide. The user is

strongly encouraged to write an 00_h to this register; thus making these pulse widths 16 MCLKs wide.

Address 60 _h	Internal Timing Control						Default 66 _h
msb (7)	6	5	4	3	2	1	lsb (0)
shs[3]	shs[2]	shs[1]	shs[0]	shr[3]	shr[2]	shr[1]	shr[0]
Bit Number	Function	Description					Reset State
7 - 4	shs	shs[3:0] = 0000 _b = 16 MCLKs Wide shs[3:0] = 0001 _b = 1 _d MCLKs Wide shs[3:0] = 0010 _b = 2 _d MCLKs Wide shs[3:0] = 0110 _b = 6 _d MCLKs Wide shs[3:0] = 1111 _b = 15 _d MCLKs Wide					0110 _b
3 - 0	shr	shr[3:0] = 0000 _b = 16 MCLKs Wide shr[3:0] = 0001 _b = 1 _d MCLKs Wide shr[3:0] = 0010 _b = 2 _d MCLKs Wide shr[3:0] = 0110 _b = 6 _d MCLKs Wide shr[3:0] = 1111 _b = 15 _d MCLKs Wide					0110 _b

Table 28. Internal Timing Control Register

5.5.2 Programmable “Window of Interest”

The WOI is defined by a set of registers that indicate the upper-left starting point for the window and another set of registers that define the size of the window. Please refer to Figure 6, on page 7 for a pictorial representation of the WOI within the active pixel array.

The WOI Row Pointer; **wrp**[8:0] (Table 29 and Table 30), and the WOI Column Pointer; **wcp**[9:0] (Table 31 and Table 32), mark the upper-left starting point for the WOI.

The WOI Row Pointer; **wrp**[8:0], has a range of 0_d to 511_d whereas the WOI Column Pointer; **wcp**[9:0] has a usable range of 0_d to 703_d. The pointer can be placed anywhere within the active pixel array.

The WOI Row Depth; **wrd**[8:0] (Table 29 and Table 30), and the WOI Column Depth; **wcd**[9:0] (Table 31 and Table 32), indicate the size of the WOI.

The WOI Row Depth; **wrd**[8:0], has a range of 0_d to 511_d whereas the WOI Column Depth; **wcd**[9:0], has a range of 0_d to 703_d.

The user should be careful to create a WOI that contains active pixels only. There is no logic in the sensor

interface to prevent the user from defining an WOI that addresses non-existent pixels.

Address 45 _h	WOI Row Pointer MSB						Default 00 _h
msb (7)	6	5	4	3	2	1	lsb (0)
x	x	x	x	x	x	x	wrp[8]
Bit Number	Function	Description					Reset State
7 - 1	Unused	Unused					xxxxxxx
0	WOI Row Pointer	In conjunction with the WOI Row Pointer LSB Register (Table 30), forms the 9-bit WOI Row Pointer wrp[8:0]					0 _b

Table 29. WOI Row Pointer MSB Register

Address 46 _h	WOI Row Pointer LSB						Default 0C _h
msb (7)	6	5	4	3	2	1	lsb (0)
wrp[7]	wrp[6]	wrp[5]	wrp[4]	wrp[3]	wrp[2]	wrp[1]	wrp[0]
Bit Number	Function	Description					Reset State
7 - 0	WOI Row Pointer	In conjunction with the WOI Row Pointer MSB Register (Table 29), forms the 9-bit WOI Row Pointer wrp[8:0]					00001100 _b (row 12)

Table 30. WOI Row Pointer LSB Register

Address 49 _h	WOI Column Pointer MSB						Default 00 _h
msb (7)	6	5	4	3	2	1	lsb (0)
x	x	x	x	x	x	wcp[9]	wcp[8]
Bit Number	Function	Description					Reset State
7 - 2	Unused	Unused					xxxxxx
1 - 0	WOI Col. Pointer	In conjunction with the WOI Column Pointer LSB Register (Table 32), forms the 10-bit WOI Column Pointer wcp[9:0]					00 _b

Table 31. WOI Column Pointer MSB Register

Address 4A _h	WOI Column Pointer LSB						Default 30 _h
msb (7)	6	5	4	3	2	1	lsb (0)
wcp[7]	wcp[6]	wcp[5]	wcp[4]	wcp[3]	wcp[2]	wcp[1]	wcp[0]
Bit Number	Function	Description					Reset State
7 - 0	WOI Col. Pointer	In conjunction with the WOI Column Pointer MSB Register (Table 31), forms the 10-bit WOI Column Pointer wcp[9:0]					00110000 _b (col. 48)

Table 32. WOI Column Pointer LSB Register

Address 47 _h	WOI Row Depth MSB						Default 01 _h
msb (7)	6	5	4	3	2	1	lsb (0)
x	x	x	x	x	x	x	wrd[8]
Bit Number	Function	Description					Reset State
7 - 1	Unused	Unused					xxxxxxx
0	WOI Row Depth	In conjunction with the WOI Row Depth LSB Register (Table 34), forms the 9-bit WOI Row Depth wrd[8:0].					1 _b

Table 33. WOI Row Depth MSB Register

Address 48 _h	WOI Row Depth LSB						Default DF _h
msb (7)	6	5	4	3	2	1	lsb (0)
wrd[7]	wrd[6]	wrd[5]	wrd[4]	wrd[3]	wrd[2]	wrd[1]	wrd[0]
Bit Number	Function	Description					Reset State
7 - 0	WOI Row Pointer	In conjunction with the WOI Row Depth MSB Register (Table 33), forms the 9-bit WOI Row Depth wrd[8:0]. Desired = wrd _d + 1.					11011111 _b (480 rows)

Table 34. WOI Row Depth LSB Register

Address 4B _h	WOI Column Width MSB						Default 02 _h
msb (7)	6	5	4	3	2	1	lsb (0)
x	x	x	x	x	x	wcw[9]	wcw[8]
Bit Number	Function	Description					Reset State
7 - 2	Unused	Unused					xxxxxx
1 - 0	WOI Col. Width	In conjunction with the WOI Column Width LSB Register (Table 36), forms the 10-bit WOI Column Width wcw[9:0].					10 _b

Table 35. WOI Column Width MSB Register

Address 4C _h	WOI Column Width LSB						Default 7F _h
msb (7)	6	5	4	3	2	1	lsb (0)
wcw[7]	wcw[6]	wcw[5]	wcw[4]	wcw[3]	wcw[2]	wcw[1]	wcw[0]
Bit Number	Function	Description					Reset State
7 - 0	WOI Row Pointer	In conjunction with the WOI Column Width MSB Register (Table 35), forms the 10-bit WOI Column Width wcw[9:0]. Desired = wcw _d + 1.					01111111 _b (640 col.)

Table 36. WOI Column Width LSB Register

5.5.3 Integration Time Control

The Integration Time registers; Table 37, Table 38, and Table 39, control the integration time for the pixel array. Integration time for SFCM; **sint**[20:0], is measured in MCLK cycles while the integration time for CFCM; **cint**[15:0], is measured in Virtual Row times. Please refer to Figure 8 for a pictorial description of the Virtual Frame and its relationship to the WOI.

A virtual frame is the mechanism by which the user controls the integration time and frame time for the output data stream. By adding additional rows or columns as 'blanking' to the WOI to form the Virtual Frame, the user can control the amount of blanking in both horizontal and vertical space.

Both the Virtual Frame Row Depth; **vrd**[13:0], and the Virtual Frame Column Width; **vcw**[9:0] have a range of 0_d to 16384_d.

The user should be careful to create a Virtual Frame that is larger than the WOI. There is no logic in the sensor interface to prevent the user from defining a Virtual Frame smaller than the WOI. Therefore, pixel data may be lost.

The Virtual Frame must be 1 row and 6 columns larger than the WOI.

The Virtual Frame completely defines the integration time in CFCM. Any changes to the WOI or how the WOI is sampled has no effect on integration time.

Address 4D _h	Integration Time MSB						Default 00 _h
msb (7)	6	5	4	3	2	1	lsb (0)
x	x	x	x	sint[19]	sint[18]	sint[17]	sint[16]
Bit Number	Function	Description					Reset State
7 - 4	Unused	Unused					xxxx
3 - 0	Integration Time	SFCM: In conjunction with the Integration Time ISB (Table 38) and Integration Time LSB (Table 39) Registers, forms the 20-bit Integration Time sint[19:0]. CFCM: Unused					0000 _b

Table 37. Integration Time MSB Register

Address 4E _h	Integration Time ISB						Default 02 _h
msb (7)	6	5	4	3	2	1	lsb (0)
sint[15] cint[15]	sint[14] cint[14]	sint[13] cint[13]	sint[12] cint[12]	sint[11] cint[11]	sint[10] cint[10]	sint[9] cint[9]	sint[8] cint[8]
Bit Number	Function	Description					Reset State
7 - 0	Integration Time	SFCM: In conjunction with the Integration Time MSB (Table 37) and Integration Time LSB (Table 39) Registers, forms the 20-bit Integration Time sint[19:0]. CFCM: In conjunction with the Integration Time LSB (Table 39) Register, forms the 16-bit Integration Time cint[15:0].					00000010 _b

Table 38. Integration Time ISB Register

Address 4F _h	Integration Time LSB						Default 0C _h
msb (7)	6	5	4	3	2	1	lsb (0)
sint[7] cint[7]	sint[6] cint[6]	sint[5] cint[5]	sint[4] cint[4]	sint[3] cint[3]	sint[2] cint[2]	sint[1] cint[1]	sint[0] cint[0]
Bit Number	Function	Description					Reset State
7 - 0	Integration Time	<p>SFCM: In conjunction with the Integration Time MSB (Table 37) and Integration Time ISB (Table 38) Registers, forms the 20-bit Integration Time sint[19:0]. Integration Time = $sint_d * 16 * MCLKperiod$.</p> <p>CFCM: In conjunction with the Integration Time ISB (Table 38) Register, forms the 16-bit Integration Time cint[15:0]. Integration Time = $(cint_d + 1) * T_{row}$</p>					00001100 _b (SFCM: 8400 MCLKs CFCM: 525 Rows)

Table 39. Integration Time LSB Register

Address 50 _h	CFCM Virtual Frame Row Depth MSB						Default 02 _h
msb (7)	6	5	4	3	2	1	lsb (0)
x	x	vr[d][13]	vr[d][12]	vr[d][11]	vr[d][10]	vr[d][9]	vr[d][8]
Bit Number	Function	Description					Reset State
7 - 6	Unused	Unused					xx
5 - 0	Virtual Row Depth	In conjunction with the CFCM Virtual Frame Row Depth LSB (Table 41) Register, forms the 14-bit Virtual Frame Row Depth vr[d][13:0].					000010 _b

Table 40. CFCM Virtual Frame Row Depth MSB Register

Address 51 _h	CFCM Virtual Frame Row Depth LSB						Default 0C _h
msb (7)	6	5	4	3	2	1	lsb (0)
vrd[7]	vrd[6]	vrd[5]	vrd[4]	vrd[3]	vrd[2]	vrd[1]	vrd[0]
Bit Number	Function	Description					Reset State
7 - 0	Virtual Row Depth	In conjunction with the CFCM Virtual Frame Row Depth MSB (Table 40) Register, forms the 14-bit Virtual Frame Row Depth vrd[13:0]. WOI is always top-left justified in Virtual Frame. vrd _d minimum = wrd _d + 1					00001100 _b (525 rows)

Table 41. CFCM Virtual Frame Row Depth LSB Register

Address 52 _h	CFCM Virtual Frame Column Width MSB						Default 02 _h
msb (7)	6	5	4	3	2	1	lsb (0)
x	x	vcw[13]	vcw[12]	vcw[11]	vcw[10]	vcw[9]	vcw[8]
Bit Number	Function	Description					Reset State
7 - 6	Unused	Unused					xx
5 - 0	Virtual Column Width	In conjunction with the CFCM Virtual Frame Column Width LSB (Table 43) Register, forms the 14-bit Virtual Frame Column Width vcw[13:0].					000010 _b

Table 42. CFCM Virtual Frame Column Width MSB Register

Address 53 _h	CFCM Virtual Frame Column Width LSB						Default ED _h
msb (7)	6	5	4	3	2	1	lsb (0)
vcw[7]	vcw[6]	vcw[5]	vcw[4]	vcw[3]	vcw[2]	vcw[1]	vcw[0]
Bit Number	Function	Description					Reset State
7 - 0	Virtual Column Width	In conjunction with the CFCM Virtual Frame Column Width MSB (Table 42) Register, forms the 14-bit Virtual Frame Column Width vcw[13:0]. WOI is always top-left justified in Virtual Frame. vcw _d minimum = w _{cd} + 11 (CFCM) vcw _d minimum = w _{cd} + 14 (SFCM)					11101101 _b (750 col.)

Table 43. CFCM Virtual Frame Column Width LSB Register

6.0 I²C Serial Interface

The I²C is an industry standard which is also compatible with the Motorola bus (called M-Bus) that is available on many microprocessor products. The I²C contains a serial two-wire half-duplex interface that features bidirectional operation, master or slave modes, and multi-master environment support. The clock frequency on the system is governed by the slowest device on the board. The SDATA and SCLK are the bidirectional data and clock pins, respectively. These pins are open drain and will require a pull-up resistor to VDD of 1.5 kΩ to 10 kΩ (see page 48).

The I²C is used to write the required user system data into the Program Control Registers in the MCM20014.

The I²C bus can also read the data in the Program Control Register for verification or test considerations. The MCM20014 is a slave only device that supports a maximum clock rate (SCLK) of 100 kHz while reading or writing only one register address per I²C start/stop cycle. The following sections will be limited to the methods for writing and reading data into the MCM20014 register.

For a complete reference to I²C, see "The I²C Bus from Theory to Practice" by Dominique Paret and Carll-Fenger, published by John Wiley & Sons, ISBN 0471962686.

6.1 MCM20014 I²C Bus Protocol

The MCM20014 uses the I²C bus to write or read one register byte per start/stop I²C cycle as shown in Figure 25 and Figure 26. These figures will be used to describe

the various parts of the I²C protocol communications as it applies to the MCM20014.

MCM20014 I²C bus communication is basically composed of following parts: START signal, MCM20014 slave address (0110011_b) transmission followed by a R/ \bar{W} bit, an acknowledgment signal from the slave, 8 bit data transfer followed by another acknowledgment signal, STOP signal, Repeated START signal, and clock synchronization.

6.2 START Signal

When the bus is free, i.e. no master device is engaging the bus (both SCLK and SDATA lines are at logical "1"), a master may initiate communication by sending a START signal. As shown in Figure 25, a START signal is defined as a high-to-low transition of SDATA while SCLK is high. This signal denotes the beginning of a new data transfer and wakes up all the slaves on the bus.

6.3 Slave Address Transmission

The first byte of a data transfer, immediately after the START signal, is the slave address transmitted by the master. This is a 7-bit calling address followed by a R/ \bar{W} bit. The seven-bit address for the MCM20014, starting with the MSB (AD7) is 0110011_b. The transmitted calling address on the SDATA line may only be changed while SCLK is low as shown in Figure 25. The data on the SDATA line is valid on the High to Low signal transition on the SCLK line. The R/W bit following the 7-bit tells the slave the desired direction of data transfer:

- 1 = Read transfer, the slave transitions to a slave transmitter and sends the data to the master
- 0 = Write transfer, the master transmits data to the slave

6.4 Acknowledgment

Only the slave with a calling address that matches the one transmitted by the master will respond by sending back an acknowledge bit. This is done by pulling the SDATA line low at the 9th clock (see Figure 25). If a transmitted slave address is acknowledged, successful slave addressing is said to have been achieved. No two slaves in the system may have the same address. The MCM20014 is configured to be a slave only.

6.5 Data Transfer

Once successful slave addressing is achieved, data transfer can proceed between the master and the selected slave in a direction specified by the R/\overline{W} bit sent by the calling master. Note that for the first byte after a start signal (in Figure 25 and Figure 26), the R/\overline{W} bit is always a "0" designating a write transfer. This is required since the next data transfer will contain the register address to be read or written.

All transfers that come after a calling address cycle are referred to as data transfers, even if they carry sub-address information for the slave device.

Each data byte is 8 bits long. Data may be changed only while SCLK is low and must be held stable while SCLK is high as shown in Figure 25. There is one clock pulse on SCLK for each data bit, the MSB being transferred first.

Each data byte has to be followed by an acknowledge bit, which is signalled from the receiving device by pulling the SDATA low at the ninth clock. So one complete data byte transfer needs nine clock pulses. If the slave receiver does not acknowledge the master, the SDATA line must be left high by the slave. The master can then generate a stop signal to abort the data transfer or a start signal (repeated start) to commence a new calling.

If the master receiver does not acknowledge the slave transmitter after a byte transmission, it means 'end of data' to the slave, so the slave releases the SDATA line for the master to generate STOP or START signal.

6.6 Stop Signal

The master can terminate the communication by generating a STOP signal to free the bus. However, the master may generate a START signal followed by a calling command without generating a STOP signal first. This is called a Repeated START. A STOP signal is defined

as a low-to-high transition of SDATA while SCLK is at logical "1" (see Figure 25).

The master can generate a STOP even if the slave has generated an acknowledge bit at which point the slave must release the bus.

6.7 Repeated START Signal

A Repeated START signal is a START signal generated without first generating a STOP signal to terminate the communication. This is used by the master to communicate with another slave or with the same slave in a different mode (transmit/receive mode) without releasing the bus.

As shown in Figure 26, a Repeated START signal is being used during the read cycle and to redirect the data transfer from a write cycle (master transmits the register address to the slave) to a read cycle (slave transmits the data from the designated register to the slave).

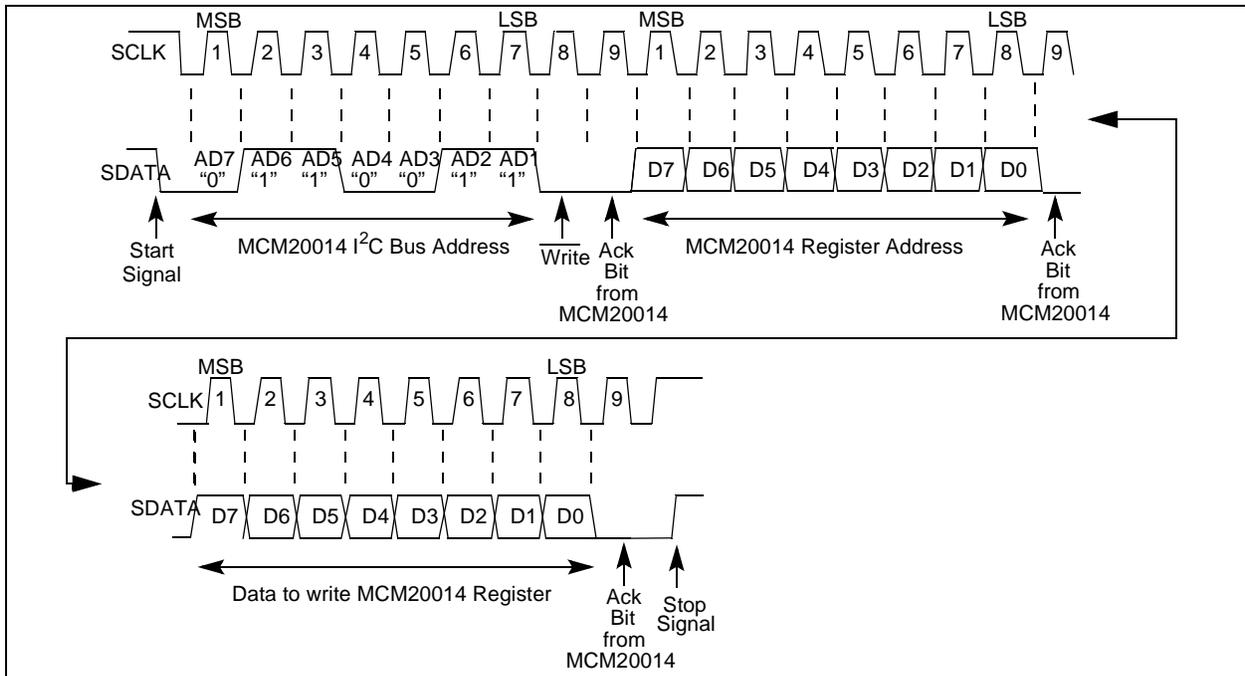


Figure 25. WRITE Cycle using I²C Bus

6.8 I²C Bus Clocking and Synchronization

Open drain outputs are used on the SCLK outputs of all master and slave devices so that the clock can be synchronized and stretched using wire-AND logic. This means that the slowest device will keep the bus from going faster than it is capable of receiving or transmitting data.

After the master has driven SCLK from High to Low, all the slaves drive SCLK Low for the required period that is needed by each slave device and then releases the SCLK bus. If the slave SCLK Low period is greater than the master SCLK Low period, the resulting SCLK bus signal Low period is stretched. Therefore, synchronized clocking occurs since the SCLK is held low by the device with the longest Low period. Also, this method can be used by the slaves to slow down the bit rate of a transfer. The master controls the length of time that the SCLK line is in the High state. The data on the SDATA line is valid when the master switches the SCLK line from a High to a Low.

Slave devices may hold the SCLK low after completion of one byte transfer (9 bits). In such case, it halts the bus clock and forces the master clock into wait states until the slave releases the SCLK line.

6.9 Register Write

Writing the MCM20014 registers is accomplished with the following I²C transactions (see Figure 25):

- Master transmits a START
- Master transmits the MCM20014 Slave Calling Address with "WRITE" indicated (BYTE=66_h, 102_d, 01100110_b)
- MCM20014 slave sends acknowledgment by forcing the SDATA Low during the 9th clock, if the Calling Address was received
- Master transmits the MCM20014 Register Address
- MCM20014 slave sends acknowledgment by forcing the SDATA Low during the 9th clock after receiving the Register Address
- Master transmits the data to be written into the register at the previously received Register Address
- MCM20014 slave sends acknowledgment by forcing the SDATA Low during the 9th clock after receiving the data to be written into the Register Address
- Master transmits STOP to end the write cycle

6.10 Register Read

Reading the MCM20014 registers is accomplished with the following I²C transactions (see Figure 26):

- Master transmits a START
- Master transmits the MCM20014 Slave Calling Address with "WRITE" indicated (BYTE=66_h, 102_d, 01100110_b)
- MCM20014 slave sends acknowledgment by forcing the SData Low during the 9th clock, if the Calling Address was received
- Master transmits the MCM20014 Register Address
- MCM20014 slave sends acknowledgment by forcing the SData Low during the 9th clock after receiving the Register Address
- Master transmits a Repeated START
- Master transmits the MCM20014 Slave Calling Address with "READ" indicated (BYTE = 67_h, 103_d, 01100111_b)
- MCM20014 slave sends acknowledgment by forcing the SData Low during the 9th clock, if the Calling Address was received
- At this point, the MCM20014 transitions from a "Slave-Receiver" to a "Slave-Transmitter"
- MCM20014 sends the SCLK and the Register Data contained in the Register Address that was previously received from the master; MCM20014 transitions to slave-receiver
- Master does not send an acknowledgment (NAK)
- Master transmits STOP to end the read cycle

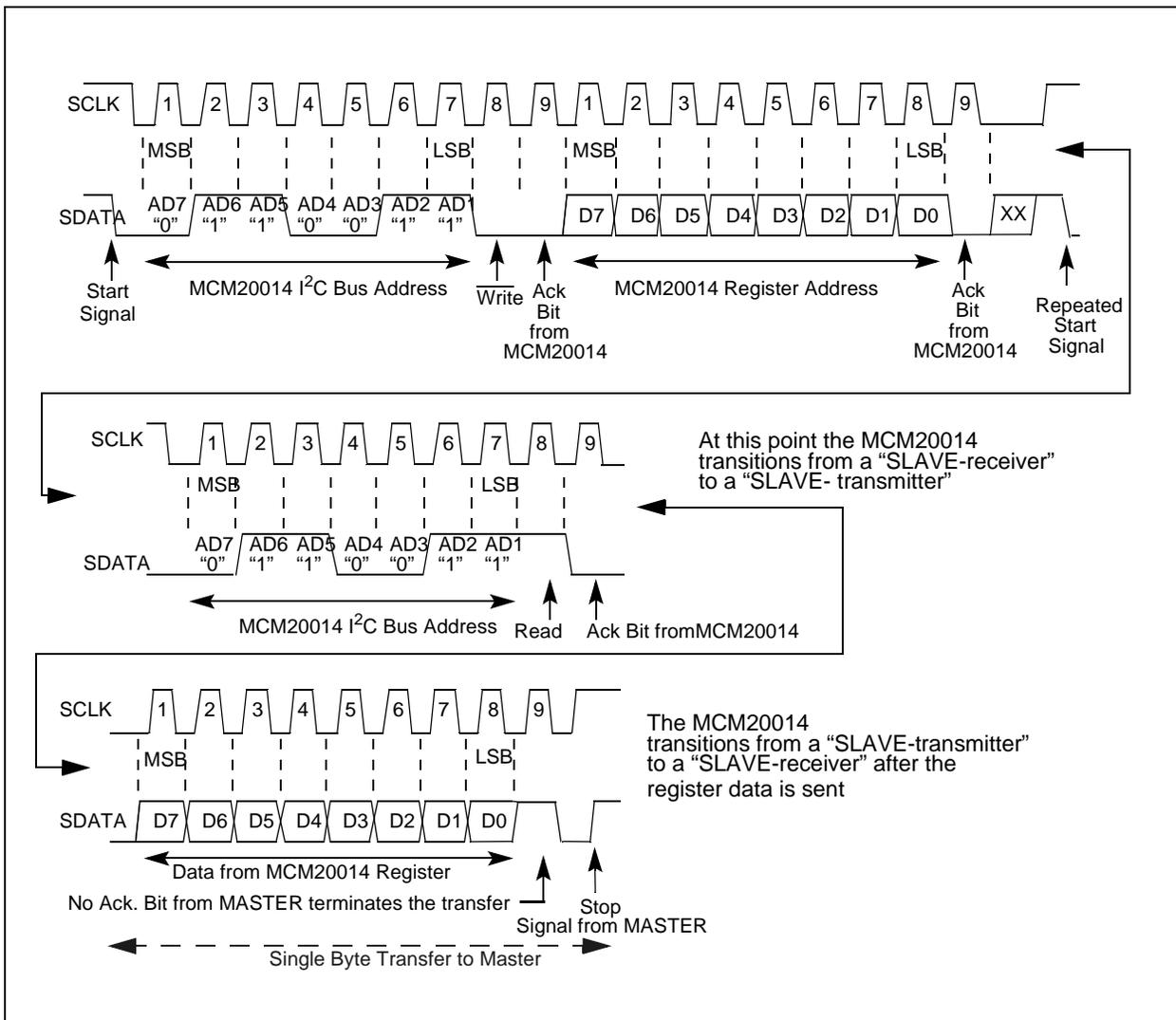


Figure 26. READ Cycle using I²C Bus

7.0 Electrical Characteristics

ABSOLUTE MAXIMUM RATINGS ¹ (Voltages Referenced to VSS)			
Symbol	Parameter	Value	Unit
V_{DD}	DC Supply Voltage	-0.5 to 3.8	V
V_{in}	DC Input Voltage	0.5 to $V_{DD} + 0.5$	V
V_{out}	DC Output Voltage	-0.5 to $V_{DD} + 0.5$	V
I	DC Current Drain per Pin, Any Single Input or Output	± 50	mA
I	DC Current Drain, V_{DD} and V_{SS} Pins	± 100	mA
T_{STG}	Storage Temperature Range	-65 to +150	°C
T_L	Lead Temperature (10 second soldering)	300	°C

¹ Maximum Ratings are those values beyond which damage to the device may occur.

$V_{SS} = AV_{SS} = DV_{SS} = V_{SSO}$ ($DV_{SS} = V_{SS}$ of Digital circuit, $AV_{SS} = V_{SS}$ of Analog Circuit)

$V_{DD} = AV_{DD} = DV_{DD} = V_{DDO}$ ($DV_{DD} = V_{DD}$ of Digital circuit, $AV_{DD} = V_{DD}$ of Analog Circuit)

RECOMMENDED OPERATING CONDITIONS (to guarantee functionality; voltage referenced to VSS)				
Symbol	Parameter	Min	Max	Unit
V_{DD}	DC Supply Voltage, $V_{DD} = 3.3V$ (Nominal)	3.0	3.6	V
T_A	Commercial Operating Temperature	0	40	°C
T_J	Junction Temperature	0	55	°C

Notes:

- All parameters are characterized for DC conditions after thermal equilibrium has been established.
- Unused inputs must always be tied to an appropriate logic level, e.g., either V_{SS} or V_{DD} .
- This device contains circuitry to protect the inputs against damage due to high static voltages or electric fields; however, it is advised that normal precautions be taken to avoid application of any voltage higher than the maximum rated voltages to this high impedance circuit.
- For proper operation it is recommended that V_{in} and V_{out} be constrained to the range $V_{SS} \leq (V_{in} \text{ or } V_{out}) \leq V_{DD}$.

DC ELECTRICAL CHARACTERISTICS ($V_{DD} = 3.3V \pm 0.3V$; V_{DD} referenced to V_{SS} ; $T_a = 0^\circ C$ to $40^\circ C$)					
Symbol	Characteristic	Condition	$T_A = 0^\circ C$ to $40^\circ C$		Unit
			Min	Max	
V_{IH}	Input High Voltage		2.0	$V_{DD} + 0.3$	V
V_{IL}	Input Low Voltage		-0.3	0.8	V
I_{in}	Input Leakage Current, No Pull-up Resistor	$V_{in} = V_{DD}$ or V_{SS}	-5	5	μA
I_{OH}	Output High Current	$V_{DD} = \text{Min}$, $V_{OH} \text{ Min} = 0.8 * V_{DD}$	-3		mA
I_{OL}	Output Low Current	$V_{DD} = \text{Min}$, $V_{OL} \text{ Max} = 0.4 V$	3		mA
V_{OH}	Output High Voltage	$V_{DD} = \text{Min}$, $I_{OH} = -100\mu A$	$V_{DD} - 0.2$		V
V_{OL}	Output Low Voltage	$V_{DD} = \text{Min}$, $I_{OL} = 100\mu A$		0.2	V
I_{OZ}	3-State Output Leakage Current	Output = High Impedance, $V_{out} = V_{DD}$ or V_{SS}	-10	10	μA
I_{DD}	Maximum Standby Supply Current	$I_{out} = 0mA$, $V_{in} = V_{DD}$ or V_{SS}	0	15.0	mA

POWER DISSIPATION (VDD = 3.0V, VDD referenced to VSS; Ta = 25°C)				
Symbol	Parameter	Condition	Typ	Unit
P _{DYN}	Dynamic Power	13.5 MHz MCLK Clock frequency	400	mW
P _{STDBY}	Standby Power	STDBY Pin Logic High	50	mW
P _{AVG}	Average Power	13.5 MHz Operation (using STDBY)	200	mW

MCM20014 MONOCHROME CMOS IMAGE SENSOR ELECTRO-OPTICAL CHARACTERISTICS				
Symbol	Parameter	Typ	Unit	Notes
E _{sat}	Saturation Exposure	0.14	μJ/cm ²	1
QE	Peak Quantum Efficiency (@550nm)	18	%	2
PRNU	Photoresponse Non-uniformity	12	% pk-pk	3

Notes:

1. For $\lambda = 550$ nm wavelength.
2. Refer to typical values from Figure 3, MCM20014 nominal spectral response.
3. For a 100 x 100 pixel region under uniform illumination with output signal equal to 80% of saturation signal.

MCM20014 COLOR CMOS IMAGE SENSOR ELECTRO-OPTICAL CHARACTERISTICS				
Symbol	Parameter	Typ	Unit	Notes
E _{sat}	Saturation Exposure	0.3	μJ/cm ²	1
QE _r	Red Peak Quantum Efficiency @ $\lambda = 650$ nm	12	%	2
QE _g	Green Peak Quantum Efficiency @ $\lambda = 550$ nm	11	%	2
QE _b	Blue Peak Quantum Efficiency @ $\lambda = 450$ nm	8	%	2

Notes:

1. For $\lambda = 550$ nm wavelength.
2. Refer to typical values from Figure 3, MCM20014 nominal spectral response.

CMOS IMAGE SENSOR CHARACTERISTICS				
Symbol	Parameter	Typ	Unit	Notes
	Sensitivity	3.0	V/lux-sec	
I _d	Photodiode Dark Current	0.2	nA/cm ²	
DSNU	Dark Signal Non-Uniformity (Entire Field)	0.4	% rms	
CTE	Pixel Charge Transfer Efficiency	0.9995	%	1
f _H	Horizontal Imager Frequency	11.5	MHz	4
X _{ab}	Blooming Margin - shuttered light	200		2,3

Notes:

1. Transfer efficiency of photosite
2. X_{ab} represents the increase above the saturation-irradiance level (H_{sat}) that the device can be exposed to before blooming of the pixel will occur.
3. No column streaking
4. At 30fps VGA

GENERAL				
Symbol	Parameter	Typ	Unit	Notes
$n_{e^- \text{ total}}$	Total <u>System</u> (equivalent) Noise Floor	70	$e^- \text{ rms}$	1
DR	System Dynamic Range	50	dB	

Notes:

1. Includes amplifier noise, dark pattern noise and dark current shot noise at 13.5 MHz data rates.

ANALOG SIGNAL PROCESSOR CHARACTERISTICS

Analog to Digital Converter (ADC)					
Symbol	Parameter	Min	Typ	Max	Units
	Resolution		10		bits
V_{IN}	Input Dynamic Range ⁸		2.5		Vpp
INL	Integral Non-Linearity		± 1.0		LSB
DNL	Differential Non-Linearity		± 0.5		LSB
f_{max}	ADC Clock Rate			13.5	MHz

Notes:

⁸ Effective differential signal dynamic range

9. INL & DNL test limits are adjusted to compensate for the effects of the LRC, DOVA and DPGA stages between the EXT_VINS input and the input of the ADC.

I²C SERIAL INTERFACE⁶ TIMING SPECIFICATIONS (see Figure 27)

Symbol	Characteristic	Min	Max	Unit
f _{max}	SCLK maximum frequency	50	400	KHz
M1	Start condition SCLK hold time	4	-	T _{MCLK} ⁷
M2	SCLK low period	8	-	T _{MCLK}
M3	SCLK/SDATA rise time [from V _{IL} = (0.2)*VDD to V _{IH} = (.8)*VDD]	-	.3	μs ⁸
M4	SDATA hold time	4	-	T _{MCLK} ⁷
M5	SCLK/SDATA fall time (from V _h = 2.4V to V _l = 0.5V)	-	.3	μs ⁸
M6	SCLK high period	4	-	T _{MCLK}
M7	SDATA setup time	4	-	T _{MCLK} ⁷
M8	Start / Repeated Start condition SCLK setup time	4	-	T _{MCLK}
M9	Stop condition SCLK setup time	4	-	T _{MCLK}
C _I	Capacitive for each I/O pin	-	10	pF
C _{bus}	Capacitive bus load for SCLK and SDATA	-	200	pF
R _p	Pull-up Resistor on SCLK and SDATA	1.5	10	kΩ ⁹

⁶ I²C is a proprietary Philips interface bus

⁷ The unit T_{MCLK} is the period of the input master clock; The frequency of MCLK is assumed 13.5 MHz

⁸ The capacitive load is 200 pF

⁹ A pull-up resistor to VDD is required on each of the SCLK and SDATA lines; for a maximum bus capacitive load of 200 pf, the minimum value of R_p should be selected in order to meet specifications

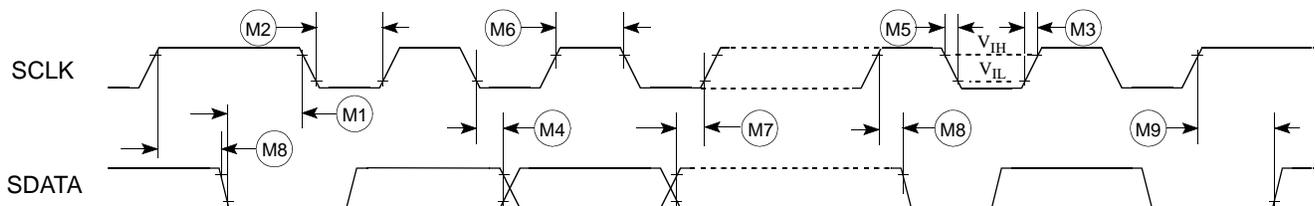


Figure 27. I²C Bus Timing Diagram

PIXEL DATA BUS INTERFACE TIMING SPECIFICATIONS (see Figure 28)

Symbol	Characteristic	Min	Typ	Max	Unit
f_{max}	MCLK maximum frequency	1	11.5	13.5	MHz
t_{hsync}	SYNC hold time w.r.t MCLK	3.5	-	9	ns
t_{susync}	SYNC setup time w.r.t MCLK	3.0	-	8.5	ns
t_{dsof}	MCLK to SOF delay time	8	13	21.5	ns
t_{dvclk}	MCLK to VCLK delay time	8.5	13.5	22	ns
t_{drhclk}	Rising edge of MCLK to rising edge of HCLK delay time	7.5	13	22	ns
t_{dffclk}	Falling edge of MCLK to falling edge of HCLK delay time	3	5	10.5	ns
t_{dadac}	MCLK to ADC[9:0] delay time	8	13	21.5	ns
t_{dblank}	MCLK to BLANK delay time	8	13	21.5	ns

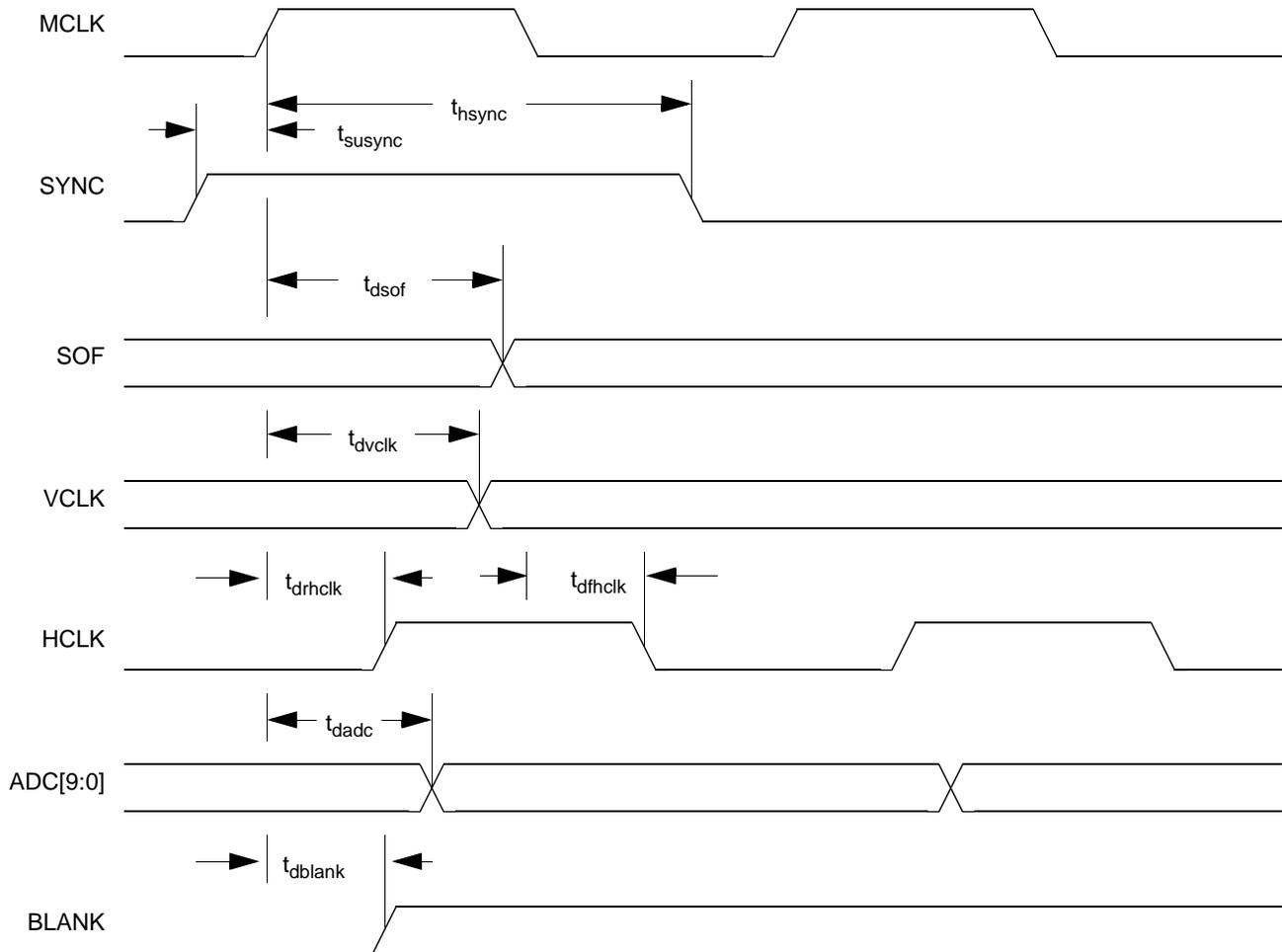


Figure 28. Pixel Data Bus Timing Diagram

Table 44. MCM20014 Pin Definitions

Pin No.	Pin Name	Description	Pin Type	Power
1	ADC6	Output Bit 6 = 64 ₁₀ Weight	O	
2	ADC5	Output Bit 5 = 32 ₁₀ Weight	O	
3	ADC4	Output Bit 4 = 16 ₁₀ Weight	O	
4	ADC3	Output Bit 3 = 8 ₁₀ Weight	O	
5	ADC2	Output Bit 2 = 4 ₁₀ Weight	O	
6	ADC1	Output Bit 1 = 2 ₁₀ Weight	O	
7	ADC0	Output Bit 0 = 1 ₁₀ Weight	O	
8	DVDD	Digital Power	P	D
9	DVSS	Digital Ground	G	D
10	BLANK	Pixel In-valid	O	
11	AVDD	Analog Power	P	A
12	AVSS	Analog Ground	G	A
13	EXTRES	External Bias Resistor Input	I	
14	TEST_AI	Test Analog Chain Input	I	
15	TEST_AO	Test Analog Video Output	O	
16	AVDD	Analog Power	P	A
17	AVSS	Analog Ground	G	A
18	CVREFM	Bias Reference Bottom Output	O	
19	CVREFP	Bias Reference Top Output	O	
20	CLRCB	Line Rate Clamp Output	O	
21	CLRCA	Line Rate Clamp Output	O	
22	AVDD	Analog Power	P	A
23	AVSS	Analog Ground	G	A
24	MCLK	Master Clock	I	
25	SCLK	I2C Serial Clock	I/O	
26	SDATA	I2C Serial Data	I/O	
27	STBY	Power Down Standby Enable	I	
28	INIT	Sensor Intialize	I	
29	TS	Three State Ouput Enable	I	
30	SYNC	Sensor Sync Signal	I	
31	DVDD	Digital Power	P	D
32	TEST_IN9	Test Input 9	I	
33	TEST_IN8	Test Input 8	I	
34	TEST_IN7	Test Input 7	I	
35	TEST_IN6	Test Input 6	I	
36	TEST_IN5	Test Input 5	I	
37	TEST_IN4	Test Input 4	I	
38	TEST_IN3	Test Input 3	I	
39	TEST_IN2	Test Input 2	I	
40	TEST_IN1	Test Input 1	I	
41	TEST_IN0	Test Input 0	I	
42	DVSS	Digital Ground	G	D
43	HCLK	Pixel Sync	O	
44	VCLK	Line Sync	O	
45	SOF	Start Of Frame	O	
46	ADC9	Output Bit 9 = 512 ₁₀ Weight	O	
47	ADC8	Output Bit 8 = 256 ₁₀ Weight	O	
48	ADC7	Output Bit 7 = 128 ₁₀ Weight	O	

note: pins 27,29-30, 32-41 should be pulled down when not in use

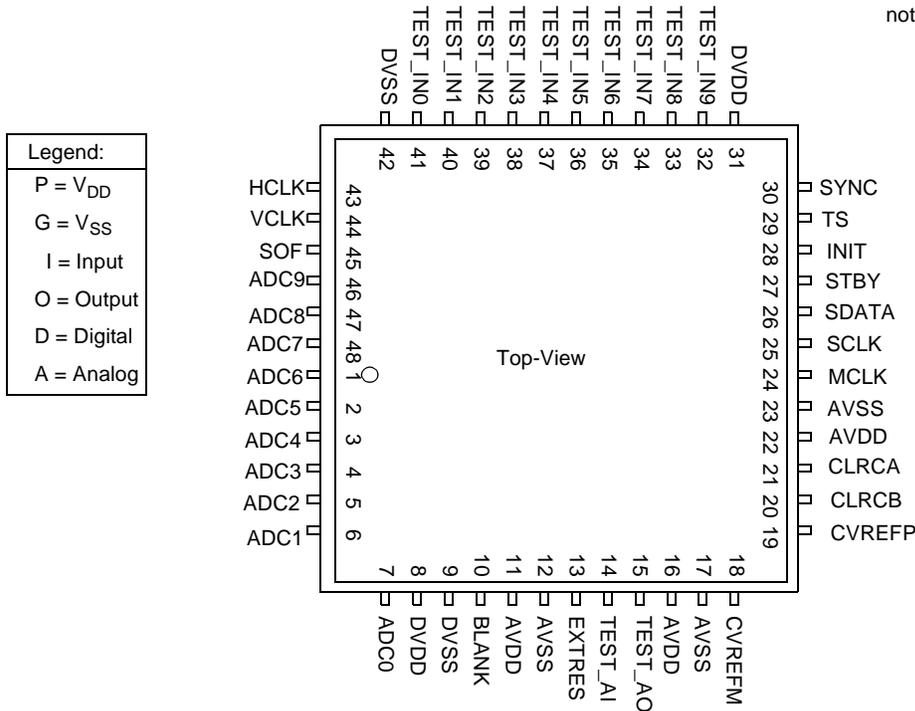
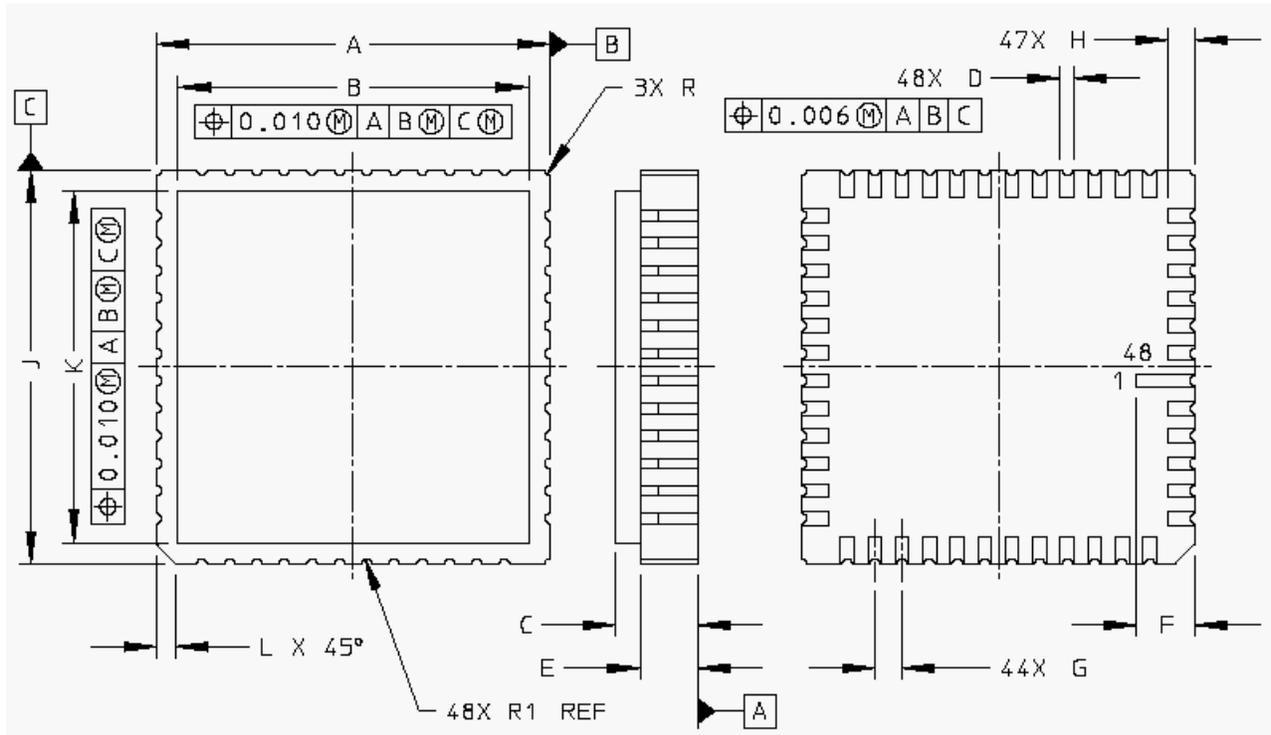


Figure 29. MCM20014 Pinout Diagram



Dim	Min	Max
A	0.555	0.572
B	0.525	0.545
C	---	0.120
D	0.016	0.024
E	0.067	0.083
F	0.075	0.095
G	0.040 BSC	
H	0.033	0.047
J	0.555	0.572
K	0.525	0.545
L	0.028 REF	
R	0.028 REF	
R1	0.028 REF	

Figure 30. 48 Terminal ceramic leadless chip carrier (bottom view)

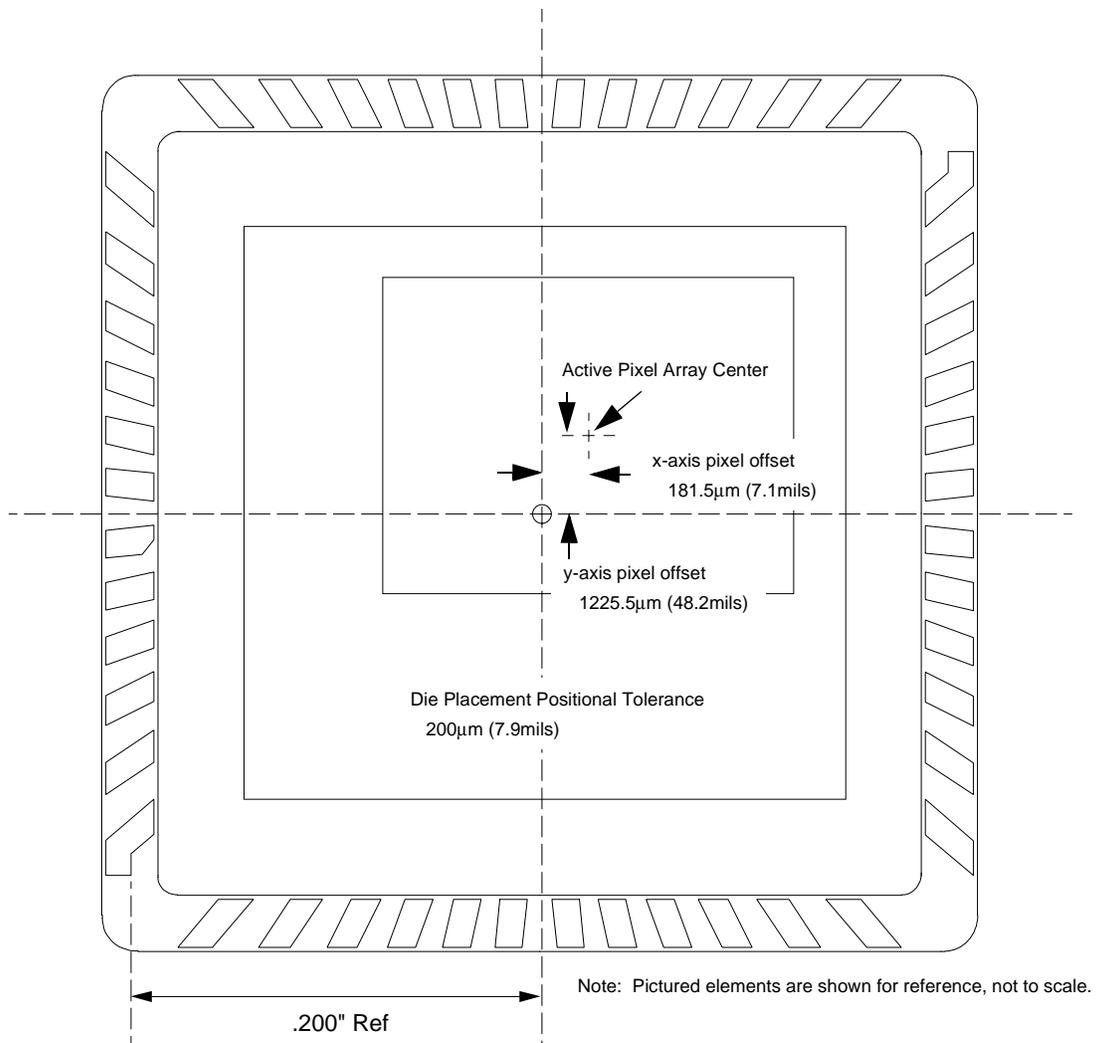


Figure 31. Center of the focal plane array with respect to the die cavity (top view)

Notes:

1. Dimensions are in inches.
2. Interpret dimensions and tolerances per ASME Y14.5-1994

Mils	A	B	C	D	E	F	Lid to Die Dimensional Analysis		Die Surface to Seating Plane
							G	H	
<i>Minimum</i>	19.65	45	27.76	22	0.5	0.5	31.82	12.17	50.25585
<i>Maximum</i>	23.65	55	29.33	28	4	2	52.39	28.74	61.33065
Nominal	21.65	50	28.54	25	2	1	42.11	20.46	55.5433
Maximum possible variation:							20.57	16.57	11.07

mm	A	B	C	D	E	F	Lid to Die Dimensional Analysis		Die Surface to Seating Plane
							G	H	
<i>Minimum</i>	0.50	1.14	0.705	0.56	0.01	0.01	0.81	0.31	1.28
<i>Maximum</i>	0.60	1.40	0.745	0.71	0.10	0.05	1.33	0.73	1.56
Nominal	0.55	1.27	0.725	0.64	0.05	0.03	1.07	0.52	1.41
Maximum possible variation:							0.5226	0.421	0.28

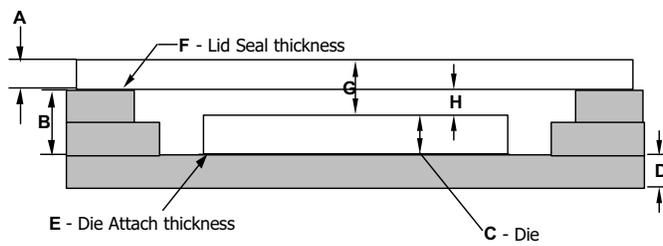


Figure 32. Focal plane with respect to package.

Note: For the most current information regarding this product, contact Motorola on the World Wide Web at http://www.motorola.com/adc/Image_Capture/

Motorola reserves the right to make changes without further notice to any products herein. Motorola makes no warranty, representation or guarantee regarding the suitability of its products for any particular purpose, nor does Motorola assume any liability arising out of the application or use of any product or circuit, and specifically disclaims any and all liability, including without limitation consequential or incidental damages. "Typical" parameters which may be provided in Motorola data sheets and/or specifications can and do vary in different applications and actual performance may vary over time. All operating parameters, including "Typicals" must be validated for each customer application by customer's technical experts. Motorola does not convey any license under its patent rights nor the rights of others. Motorola products are not designed, intended, or authorized for use as components in systems intended for surgical implant into the body, or other applications intended to support or sustain life, or for any other application in which the failure of the Motorola product could create a situation where personal injury or death may occur. Should Buyer purchase or use Motorola products for any such unintended or unauthorized application, Buyer shall indemnify and hold Motorola and its officers, employees, subsidiaries, affiliates, and distributors harmless against all claims, costs, damages, and expenses, and reasonable attorney fees arising out of directly or indirectly, any claim of personal injury or death associated with such unintended or unauthorized use, even if such claim alleges that Motorola was negligent regarding the design or manufacture of the part. Motorola and  are registered trademarks of Motorola, Inc. Motorola, Inc. is an Equal Opportunity/Affirmative Action Employer.

MFax is a trademark of Motorola, Inc.

How to reach us:

USA/EUROPE/Locations Not Listed: Motorola Literature Distribution;
P.O. Box 5405, Denver Colorado 80217. 1-800-441-2447 or 303-675-2140

JAPAN: Nippon Motorola Ltd.: SPD, Strategic Planning Office, 141,
4-32-1 Nishi-Gotanda, Shinagawa-ku, Tokyo, Japan. 81-3-5487-8488

MFax™: RMFAX0@email.sps.mot.com -TOUCHTONE (602) 244-6609
HOME PAGE: <http://motorola.com/sps/>

ASIA/PACIFIC: Motorola Semiconductors H.K. Ltd.; 8B Tai Ping Industrial Park,
51 Ting Kok Road, Tai Po, N.T., Hong Kong. 852-26629298



MOTOROLA