



MMBZ5221BW SERIES

SURFACE MOUNT SILICON ZENER DIODES

VOLTAGE 2.4 to 75 Volts **POWER** 200 mWatts

SOT-323 Unit: inch (mm)

FEATURES

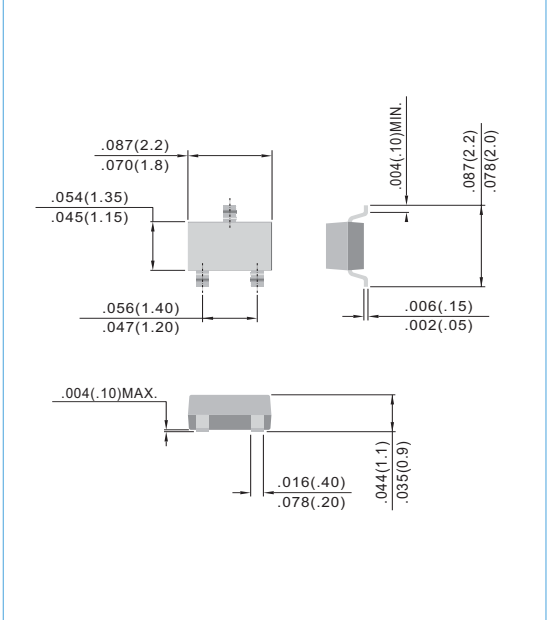
- Planar Die construction
- 200mW Power Dissipation
- Zener Voltages from 2.4V~75V
- Ideally Suited for Automated Assembly Processes
- Pb free product : 99% Sn above can meet RoHS environment substance diective request

MECHANICAL DATA

Case: SOT-323, Plastic

Terminals: Solderable per MIL-STD-750, Method 2026

Approx. Weight: 0.0048 gram



MAXIMUM RATINGS AND ELECTRICAL CHARACTERISTICS

Parameter	Symbol	Value	Units
Power Dissipation @ $T_A = 25^\circ\text{C}$ (Note A)	P_D	200	mW
Operating Junction and Storage Temperature Range	T_J	-55 to +150	$^\circ\text{C}$

NOTES:

A. Mounted on 5.0mm²(.013mm thick) land areas.



MMBZ5221BW SERIES

Part Number	Nominal Zener Voltage			Max. Zener Impedance				Max Reverse Leakage Current		Marking Code	Package
	V _Z @ I _{ZT}			Z _{zT} @ I _{ZT}		Z _{zK} @ I _{zK}		I _R @ V _R			
	Nom. V	Min. V	Max. V	Ω	mA	Ω	mA	μA	V		
MMBZ5221BW	2.4	2.28	2.52	30	20.0	1200	0.25	100	1.0	C1	SOT-323
MMBZ5222BW	2.5	2.38	2.63	30	20.0	1250	0.25	100	1.0	C2	SOT-323
MMBZ5223BW	2.7	2.57	2.84	30	20.0	1300	0.25	75	1.0	C3	SOT-323
MMBZ5225BW	3.0	2.85	3.15	30	20.0	1600	0.25	50	1.0	C5	SOT-323
MMBZ5226BW	3.3	3.14	3.47	28	20.0	1600	0.25	25	1.0	D1	SOT-323
MMBZ5227BW	3.6	3.42	3.78	24	20.0	1700	0.25	15	1.0	D2	SOT-323
MMBZ5228BW	3.9	3.71	4.10	23	20.0	1900	0.25	10	1.0	D3	SOT-323
MMBZ5229BW	4.3	4.09	4.52	22	20.0	2000	0.25	5.0	1.0	D4	SOT-323
MMBZ5230BW	4.7	4.47	4.94	19	20.0	1900	0.25	5.0	2.0	D5	SOT-323
MMBZ5231BW	5.1	4.85	5.36	17	20.0	1600	0.25	5.0	2.0	E1	SOT-323
MMBZ5232BW	5.6	5.32	5.88	11	20.0	1600	0.25	5.0	3.0	E2	SOT-323
MMBZ5234BW	6.2	5.89	6.51	7	20.0	1000	0.25	5.0	4.0	E4	SOT-323
MMBZ5235BW	6.8	6.46	7.14	5	20.0	750	0.25	3.0	5.0	E5	SOT-323
MMBZ5236BW	7.5	7.13	7.88	6	20.0	500	0.25	3.0	6.0	F1	SOT-323
MMBZ5237BW	8.2	7.79	8.61	8	20.0	500	0.25	3.0	6.0	F2	SOT-323
MMBZ5239BW	9.1	8.65	9.56	10	20.0	600	0.25	3.0	6.5	F4	SOT-323
MMBZ5240BW	10	9.50	10.50	17	20.0	600	0.25	3.0	8.0	F5	SOT-323
MMBZ5241BW	11	10.45	11.55	22	20.0	600	0.25	3.0	8.4	H1	SOT-323
MMBZ5242BW	12	11.40	12.60	30	20.0	600	0.25	2.0	9.1	H2	SOT-323
MMBZ5243BW	13	12.35	13.65	13	9.5	600	0.25	1.0	9.9	H3	SOT-323
MMBZ5244BW	14	13.30	14.70	15	9.0	600	0.25	1.0	10.5	H4	SOT-323
MMBZ5245BW	15	14.25	15.75	16	8.5	600	0.25	1.0	11.0	H5	SOT-323
MMBZ5246BW	16	15.20	16.80	17	7.8	600	0.25	0.1	12.0	J1	SOT-323
MMBZ5247BW	17	16.15	17.85	19	7.5	600	0.25	0.1	13.0	J2	SOT-323
MMBZ5248BW	18	17.10	18.90	21	7.0	600	0.25	0.1	14.0	J3	SOT-323
MMBZ5250BW	20	19.00	21.00	25	6.2	600	0.25	0.1	15.0	J5	SOT-323
MMBZ5251BW	22	20.90	23.10	29	5.6	600	0.25	0.1	17.0	K1	SOT-323
MMBZ5252BW	24	22.80	25.20	33	5.2	600	0.25	0.1	18.0	K2	SOT-323
MMBZ5254BW	27	25.65	28.35	41	5.0	600	0.25	0.1	21.0	K4	SOT-323
MMBZ5255BW	28	26.60	29.40	44	4.5	600	0.25	0.1	21.0	K5	SOT-323
MMBZ5256BW	30	28.50	31.50	49	4.2	600	0.25	0.1	23.0	M1	SOT-323
MMBZ5257BW	33	31.35	34.65	58	3.8	700	0.25	0.1	25.0	M2	SOT-323
MMBZ5258BW	36	34.20	37.80	70	3.4	700	0.25	0.1	27.0	M3	SOT-323
MMBZ5259BW	39	37.05	40.95	80	3.2	800	0.25	0.1	30.0	M4	SOT-323
MMBZ5260BW	43	40.85	45.15	93	3.0	900	0.25	0.1	33.0	M5	SOT-323
MMBZ5261BW	47	44.65	49.35	105	2.7	1000	0.25	0.1	36.0	N1	SOT-323
MMBZ5262BW	51	48.45	53.55	125	2.5	1100	0.25	0.1	39.0	N2	SOT-323
MMBZ5263BW	56	53.20	58.80	150	2.2	1300	0.25	0.1	43	N3	SOT-323
MMBZ5264BW	60	57.00	63.00	170	2.1	1400	0.25	0.1	46	N4	SOT-323
MMBZ5265BW	62	58.90	65.10	185	2.0	1500	0.25	0.1	47	N5	SOT-323
MMBZ5266BW	68	64.60	71.40	230	1.8	1600	0.25	0.1	52	P1	SOT-323
MMBZ5267BW	75	71.25	78.75	270	1.7	1400	0.25	0.1	56	P2	SOT-323



MMBZ5221BW SERIES

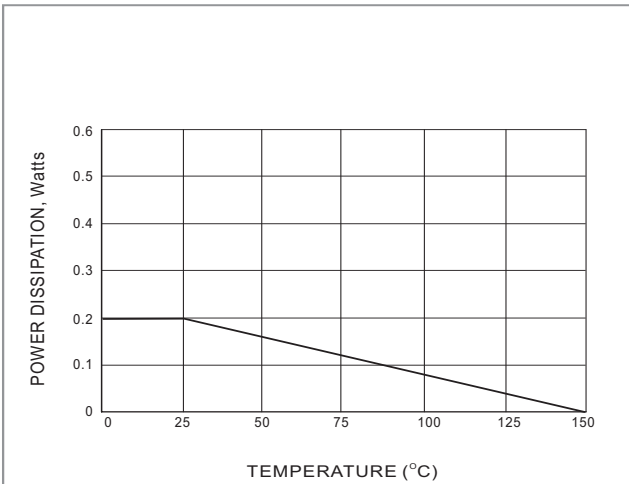


Fig.1 STEADY STATE POWER DERATING

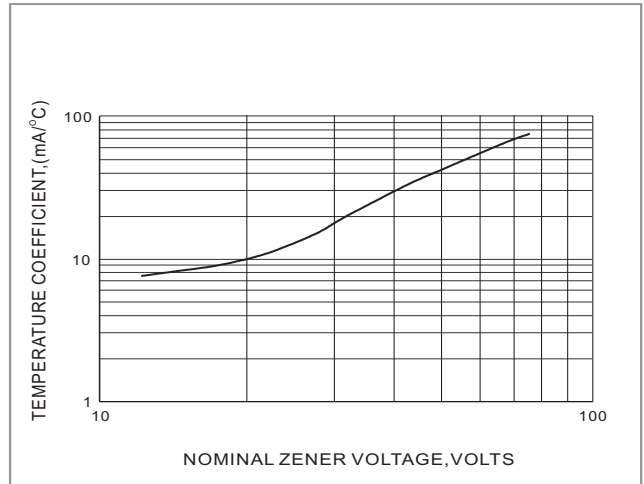


Fig.2 TEMPERATURE COEFFICIENTS

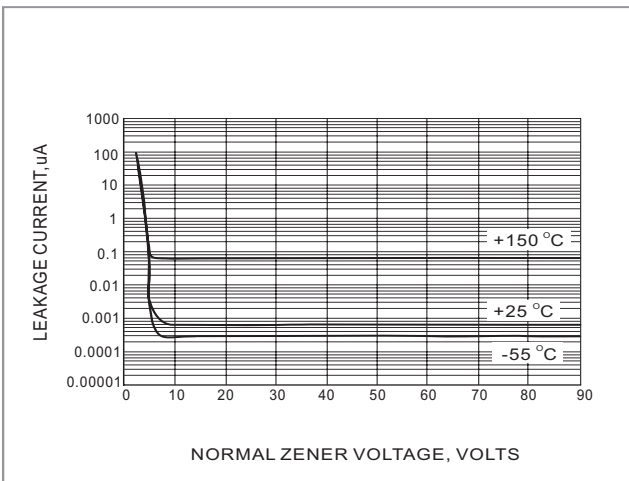


Fig.3 TYPICAL LEAKAGE CURRENT

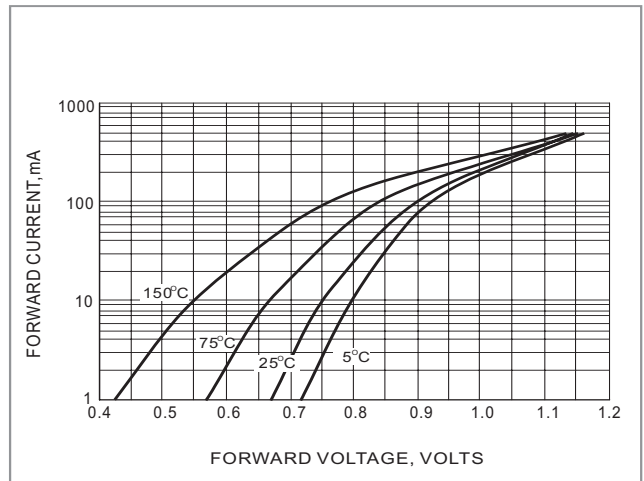
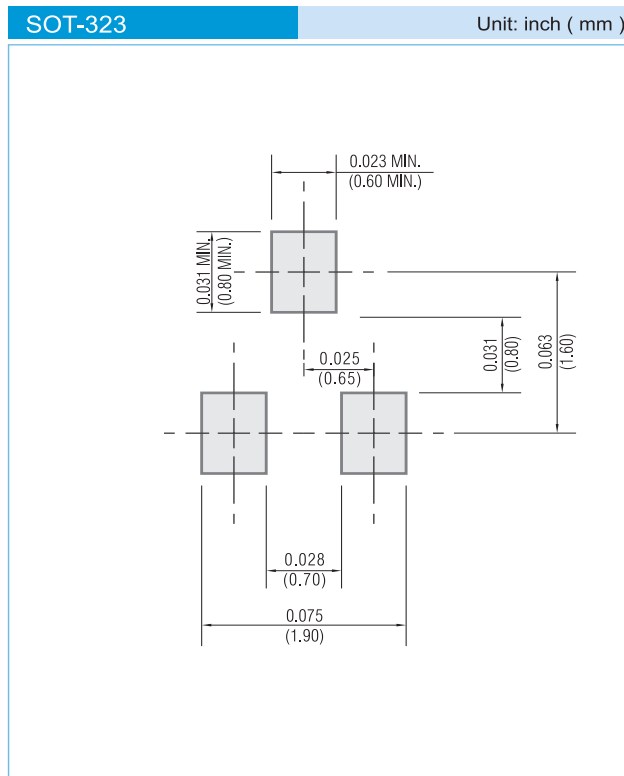


Fig.4 TYPICAL FORWARD VOLTAGE



MMBZ5221BW SERIES

MOUNTING PAD LAYOUT



ORDER INFORMATION

- Packing information

T/R - 12K per 13" plastic Reel

T/R - 3K per 7" plastic Reel

LEGAL STATEMENT

Copyright PanJit International, Inc 2006

The information presented in this document is believed to be accurate and reliable. The specifications and information herein are subject to change without notice. Pan Jit makes no warranty, representation or guarantee regarding the suitability of its products for any particular purpose. Pan Jit products are not authorized for use in life support devices or systems. Pan Jit does not convey any license under its patent rights or rights of others.