

► LIN transceiver

E910.43

FEATURES

- ▶ Supply voltage range VS 6V to 18V
- ▶ Supply voltage range VDD 4.5V to 5.5V
- ▶ LIN 2.0 compatible interface for data rates up to 20kbaud
- ▶ Output slewrate control to reduce EMI
- ▶ Short circuit current limitation
- ▶ Over temperature protection
- ▶ Bus-line DC voltage range –24V to +30V
- ▶ Receiver debounce filter
- ▶ Very low active current consumption
- ▶ Very low standby current (typ. < 10 μ A)
- ▶ Wake up output by LIN-Bus transition and EN, battery power on
- ▶ –40°C to +125°C operating temperature
- ▶ SO 8n package

DESCRIPTION

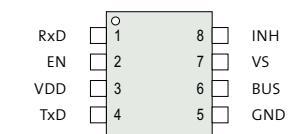
The IC interfaces between a μ C and a Local Interconnect Network (LIN) bus-line, mainly in automotive sub bus applications. When pin EN is at High level (VDD), a digital input signal at pin TxD is transferred to the fully protected low side driver on pin BUS. The voltage level on pin BUS is detected by a comparator with a threshold of nominally 50% of the battery supply VS. After passing a debounce filter it is valid on pin RxD as a digital signal referenced to the digital supply voltage VDD.

EN also statically keeps the high side output INH active. A high to low transition on EN as well as VDD falling under the POR threshold will dynamically reset INH to high impedance. A debounced low level on the bus-line for a certain time will set INH to high level as well as a - power on condition - on the battery supply pin VS.

PINNING

Pin	Name	Description
1	RxD	Serial data from IC to μ C
2	EN	Enable activates transmitter, receive and output INH
3	VDD	+5V digital supply
4	TxD	Serial data from μ C to IC
5	GND	Ground
6	BUS	LIN-Bus pin
7	VS	+12V positive supply
8	INH	Switched battery supply output to activate, e.g. an external voltage regulator

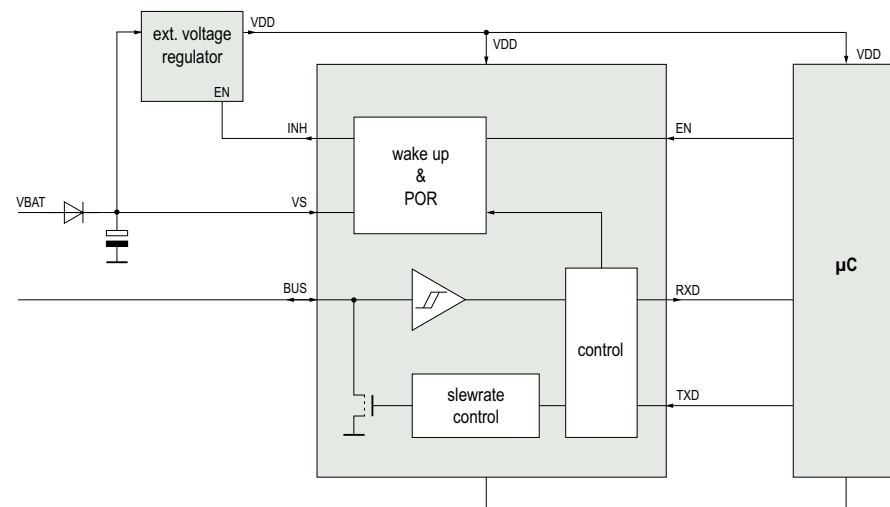
PACKAGE



APPLICATION

- ▶ Bus interface for Local Interconnect Network (LIN) communication especially in automobile applications

BLOCK DIAGRAM



Note EL MOS Semiconductor AG (below EL MOS) reserves the right to make changes to the product contained in this publication without notice. EL MOS assumes no responsibility for the use of any circuits described herein, conveys no licence under any patent or other right, and makes no representation that the circuits are free of patent infringement. While the information in this publication has been checked, no responsibility, however, is assumed for inaccuracies. EL MOS does not recommend the use of any of its products in life support applications where the failure or malfunction of the product can reasonably be expected to cause failure of a life-support system or to significantly affect its safety or effectiveness. Products are not authorized for use in such applications.

Copyright © 2005 EL MOS Reproduction, in part or whole, without the prior written consent of EL MOS, is prohibited.

www.elmos.de | sales@elmos.de

EL MOS PRODUCT CATALOG JUNE 2005