

|              |  |
|--------------|--|
| Structure    | Silicon monolithic integrated circuit  |
| Product Name | Home Electronics and Security Devices IC   |
| Type         | <b>BU6554GVW</b>   |
| Feature      | Built-in JPEG Codec, 3M pixels Camera Module Interface, QVGA LCD controller interface, and SD Card Interface |

• Absolute Maximum Ratings (Ta=25°C)

| Parameter                 | Symbol | Rating          | Unit |
|---------------------------|--------|-----------------|------|
| Supply voltage 1 (IO1)    | VDDIO1 | -0.3~+3.5       | V    |
| Supply voltage 2 (IO2)    | VDDIO2 | -0.3~+3.5       | V    |
| Supply voltage 3 (CORE)   | VDD    | -0.3~+1.9       | V    |
| Power dissipation         | PD     | 380*1, 1000*2   | mW   |
| Input voltage 1           | VIN1   | -0.3~VDDIO1+0.3 | V    |
| Input voltage 2           | VIN2   | -0.3~VDDIO2+0.3 | V    |
| Storage temperature range | Tstg   | -25~+125        | °C   |

\*1 IC only. If exceeding 25°C, 3.8mW should be reduced at the rating 1°C.

\*2 When packaging a glass epoxy board of 70\*70\*1.6mm. If exceeding 25°C, 10.0 mW should be reduced at the rating 1°C.

\* Anti radiation design is not provided.

\* Operation is not guaranteed.

• Operating conditions (Ta=-20°C~+85°C)

| Parameter               | Symbol       | MIN          | TYP  | MAX          | Unit |
|-------------------------|--------------|--------------|------|--------------|------|
| Supply voltage 1 (IO1)  | VDDIO1       | 1.70         | 1.80 | 3.00         | V    |
| Supply voltage 2 (IO2)  | VDDIO2       | 2.70         | 2.85 | 3.00         | V    |
| Supply voltage 3 (CORE) | VDD          | 1.45         | 1.50 | 1.55         | V    |
| Input "H" voltage 1     | VIH1         | VDDIO × 0.8  | -    | VDDIO+0.3    | V    |
| Input "L" voltage 1     | VIL1         | -0.3         | -    | VDDIO × 0.2  | V    |
| Input "H" voltage 2     | VIH2         | VDDIO × 0.85 | -    | VDDIO+0.3    | V    |
| Input "L" voltage 2     | VIL2         | -0.3         | -    | VDDIO × 0.15 | V    |
| Input voltage range     | VIN-VDDIO1,2 | -0.3         | -    | VDDIO+0.3    | V    |

\* Supply power in the order of VDD -> VDDIO1 -> VDDIO2.

Status of this document

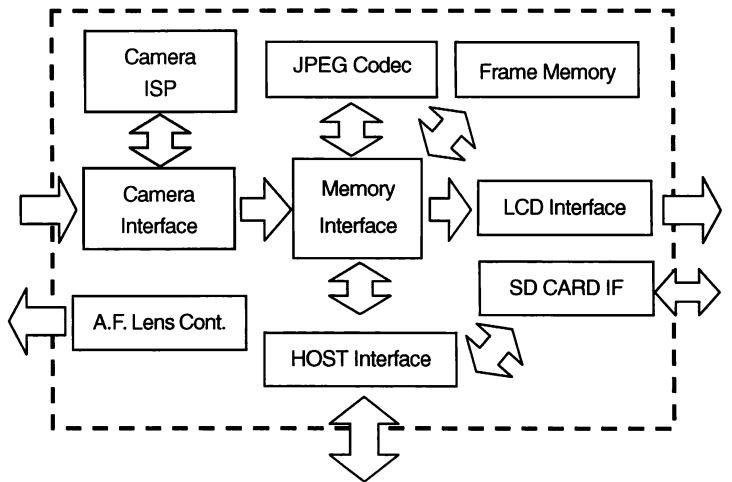
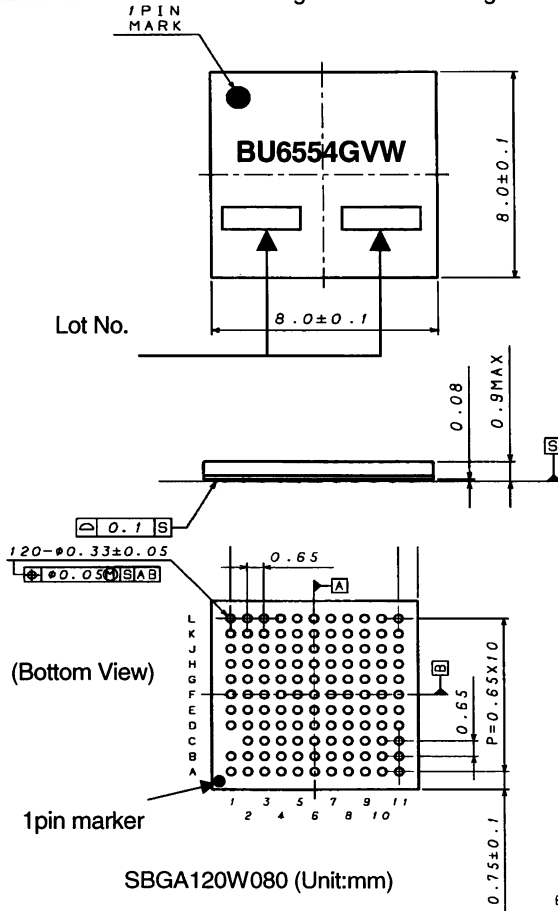
The Japanese version of this document is the formal specification. A customer may use this translation version only for a reference to help reading the formal version. If there are any differences in translation version of this document, formal version takes priority.

• Electric Characteristics (Unless otherwise specified, VDD=1.50V, VDDIO=2.85V, GND=0.0V, Ta=25°C, F<sub>IN</sub>=12.0MHz, and F<sub>SSYS</sub>=48.0MHz.)

| Parameter                     | Symbol            | Limits       |     |              | Unit | Condition  |
|-------------------------------|-------------------|--------------|-----|--------------|------|--|
|                               |                   | MIN          | TYP | MAX          |      |  |
| Input frequency               | F <sub>IN</sub>   | 10.0         | -   | 24.0         | MHz  | XIN(Duty48%~52%)   |
| Internal operating frequency  | F <sub>SSYS</sub> | -            | -   | 48.0         | MHz  | Internal SCLK frequency  |
| Internal PLL input frequency  | F <sub>PIN</sub>  | 2.5          | -   | 7.5          | MHz  | Internal PLL input frequency   |
| Internal PLL output frequency | F <sub>POUT</sub> | 100          | -   | 200          | MHz  | Internal PLL output frequency  |
| Standby current               | IDDst             | -            | -   | 150          | μA   | At suspend mode setting  |
| Input "H" current 1           | I <sub>IH1</sub>  | -10          | -   | 10           | μA   | V <sub>IH</sub> =VDDIO   |
| Input "H" current 2           | I <sub>IH2</sub>  | 25           | 50  | 100          | μA   | Pull-Down terminal, V <sub>IH</sub> =VDDIO                           |
| Input "H" current 3           | I <sub>IH3</sub>  | -10          | -   | 10           | μA   | Pull-Up terminal, V <sub>IH</sub> =VDDIO                             |
| Input "L" current 1           | I <sub>IL1</sub>  | -10          | -   | 10           | μA   | V <sub>IL</sub> =GND   |
| Input "L" current 2           | I <sub>IL2</sub>  | -10          | -   | 10           | μA   | Pull-Down terminal, V <sub>IL</sub> =GND                             |
| Input "L" current 3           | I <sub>IL3</sub>  | -160         | -80 | -25          | μA   | Pull-Up terminal, V <sub>IL</sub> =GND                               |
| Input "H" voltage 1           | V <sub>IH1</sub>  | VDDIO × 0.8  | -   | VDDIO + 0.3  | V    | Normal input (including input mode of I/O terminal)                  |
| Input "L" voltage 1           | V <sub>IL1</sub>  | -0.3         | -   | VDDIO × 0.2  | V    | Normal input (including input mode of I/O terminal)                  |
| Input "H" voltage 2           | V <sub>IH2</sub>  | VDDIO × 0.85 | -   | VDDIO + 0.3  | V    | Hysteresis input (RESETB, CSB, SD_CSB, WRB, RDB, XIN)                |
| Input "L" voltage 2           | V <sub>IL2</sub>  | -0.3         | -   | VDDIO × 0.15 | V    | Hysteresis input (RESETB, CSB, SD_CSB, WRB, RDB, XIN)                |
| Output "H" voltage 1          | V <sub>OH1</sub>  | VDDIO - 0.4  | -   | VDDIO        | V    | I <sub>OH1</sub> =-1.0mA(DC) (Including output mode of I/O terminal) |
| Output "L" voltage 1          | V <sub>OL1</sub>  | 0.0          | -   | 0.4          | V    | I <sub>OL1</sub> =1.0mA(DC) (Including output mode of I/O terminal)  |
| Output "H" voltage 2          | V <sub>OH2</sub>  | VDDIO - 0.4  | -   | VDDIO        | V    | I <sub>OH2</sub> =-1.0mA(DC), XOUT terminal                          |
| Output "L" voltage 2          | V <sub>OL2</sub>  | 0.0          | -   | 0.4          | V    | I <sub>OL2</sub> =1.0mA(DC), XOUT terminal                           |

• External Dimensional Drawing and Mark Drawing

• Block Diagram



(UNIT: mm)  
EX319-5100

• Ball No. and Pin Name

| Ball No. | Pin Name |
|----------|----------|
| G3       | A1       |
| G2       | A2       |
| L5       | CAMCKI   |
| L2       | CAMCKO   |
| J3       | CAMD0    |
| K4       | CAMD1    |
| L3       | CAMD2    |
| F6       | CAMD3    |
| G6       | CAMD4    |
| J4       | CAMD5    |
| L4       | CAMD6    |
| K5       | CAMD7    |
| H6       | CAMD8    |
| J5       | CAMD9    |
| K2       | CAMHS    |
| H5       | CAMVS    |
| K6       | CAM_CNT0 |
| F7       | CAM_CNT1 |
| G7       | CAM_CNT2 |
| L6       | CAM_CNT3 |
| H7       | CAM_CNT4 |
| K7       | CAM_CNT5 |
| J6       | CAM_CNT6 |
| L7       | CAM_CNT7 |
| H1       | CSB      |
| G4       | SD_CSB   |
| G1       | D0       |
| F3       | D1       |
| F4       | D2       |
| F5       | D3       |
| F1       | D4       |
| E5       | D5       |
| E1       | D6       |
| E2       | D7       |
| D3       | D8       |
| D1       | D9       |
| D2       | D10      |
| D3       | D11      |
| C2       | D12      |
| B1       | D13      |

| Ball No. | Pin Name      |
|----------|---------------|
| B2       | D14           |
| C3       | D15           |
| F10      | PHA/PWM/KEY0  |
| E7       | PHB/KEY1      |
| A9       | PHC/GIO2/KEY2 |
| G11      | PHD/VD/GIO6   |
| H4       | INT           |
| G9       | LCDA0         |
| F11      | LCDCS1B       |
| G10      | LCDCS2B       |
| F9       | LCDD0         |
| D11      | LCDD1         |
| E10      | LCDD2         |
| C11      | LCDD3         |
| D10      | LCDD4         |
| C10      | LCDD5         |
| B11      | LCDD6/SCL     |
| E9       | LCDD7/SI      |
| D8       | LCDD8         |
| C8       | LCDD9         |
| A8       | LCDD10        |
| B8       | LCDD11        |
| A7       | LCDD12        |
| D7       | LCDD13        |
| C7       | LCDD14        |
| A6       | LCDD15        |
| B7       | LCDD16        |
| B6       | LCDD17        |
| D9       | LCDRDB        |
| C9       | LCDWRB        |
| J10      | LEDCNT/GIO1   |
| C6       | PWM0/GIO0     |
| H9       | PWM1/GIO3     |
| H10      | PWM2/GIO4     |
| H11      | PWM3/GIO5     |
| J1       | RDB           |
| A5       | RESETB        |
| K1       | SDA           |
| G5       | SDC           |
| D6       | SDCLK         |

| Ball No. | Pin Name   |
|----------|------------|
| E6       | SDCMD      |
| A4       | SDDAT0     |
| B5       | SDDAT1     |
| B3       | SDDAT2     |
| C5       | SDDAT3     |
| D5       | SDCD       |
| A3       | SDWP       |
| L8       | TE_PCLK    |
| K8       | TE_PIXCLK  |
| J7       | TE_VSYNC   |
| L9       | TE_HSYNC   |
| L10      | TED0/SGIO0 |
| H8       | TED1/SGIO1 |
| K9       | TED2/SGIO2 |
| K10      | TED3/SGIO3 |
| K11      | TED4/SGIO4 |
| J8       | TED5/SGIO5 |
| J9       | TED6/SGIO6 |
| J11      | TED7/SGIO7 |
| A10      | TEST       |
| H3       | WRB        |
| D4       | XIN        |
| C4       | XOUT       |
| F2       | VDD        |
| K3       |            |
| E11      |            |
| B9       | VDDIO1     |
| J2       |            |
| B4       | VDDIO2     |
| H2       |            |
| G8       |            |
| B10      | GND        |
| E4       |            |
| F8       |            |
| E8       |            |
| A2       | N.C.       |
| A1       |            |
| L1       |            |
| L11      |            |
| A11      |            |

• Cautions on use

(1) Absolute Maximum Ratings

An excess in the absolute maximum ratings, such as supply voltage, temperature range of operating conditions, etc., can break down devices, thus making impossible to identify breaking mode such as a short circuit or an open circuit. If any special mode exceeding the absolute maximum ratings is assumed, consideration should be given to take physical safety measures including the use of fuses, etc.

(2) Operating conditions

These conditions represent a range within which characteristics can be provided approximately as expected. The electrical characteristics are guaranteed under the conditions of each parameter.

(3) Reverse connection of power supply connector

The reverse connection of power supply connector can break down ICs. Take protective measures against the breakdown due to the reverse connection, such as mounting an external diode between the power supply and the IC's power supply terminal.

(4) Power supply line

Design PCB pattern to provide low impedance for the wiring between the power supply and the GND lines.

In this regard, for the digital block power supply and the analog block power supply, even though these power supplies has the same level of potential, separate the power supply pattern for the digital block from that for the analog block, thus suppressing the diffraction of digital noises to the analog block power supply resulting from impedance common to the wiring patterns. For the GND line, give consideration to design the patterns in a similar manner.

Furthermore, for all power supply terminals to ICs, mount a capacitor between the power supply and the GND terminal. At the same time, in order to use an electrolytic capacitor, thoroughly check to be sure the characteristics of the capacitor to be used present no problem including the occurrence of capacity dropout at a low temperature, thus determining the constant.

(5) GND voltage

Make setting of the potential of the GND terminal so that it will be maintained at the minimum in any operating state. Furthermore, check to be sure no terminals are at a potential lower than the GND voltage including an actual electric transient.

(6) Short circuit between terminals and erroneous mounting

In order to mount ICs on a set PCB, pay thorough attention to the direction and offset of the ICs. Erroneous mounting can break down the ICs. Furthermore, if a short circuit occurs due to foreign matters entering between terminals or between the terminal and the power supply or the GND terminal, the ICs can break down.

(7) Operation in strong electromagnetic field

Be noted that using ICs in the strong electromagnetic field can malfunction them.

(8) Inspection with set PCB

On the inspection with the set PCB, if a capacitor is connected to a low-impedance IC terminal, the IC can suffer stress. Therefore, be sure to discharge from the set PCB by each process. Furthermore, in order to mount or dismount the set PCB to/from the jig for the inspection process, be sure to turn OFF the power supply and then mount the set PCB to the jig. After the completion of the inspection, be sure to turn OFF the power supply and then dismount it from the jig. In addition, for protection against static electricity, establish a ground for the assembly process and pay thorough attention to the transportation and the storage of the set PCB.

(9) Input terminals

In terms of the construction of IC, parasitic elements are inevitably formed in relation to potential. The operation of the parasitic element can cause interference with circuit operation, thus resulting in a malfunction and then breakdown of the input terminal. Therefore, pay thorough attention not to handle the input terminals, such as to apply to the input terminals a voltage lower than the GND respectively, so that any parasitic element will operate. Furthermore, do not apply a voltage to the input terminals when no power supply voltage is applied to the IC. In addition, even if the power supply voltage is applied, apply to the input terminals a voltage lower than the power supply voltage or within the guaranteed value of electrical characteristics.

(10) Ground wiring pattern

If small-signal GND and large-current GND are provided, it will be recommended to separate the large-current GND pattern from the small-signal GND pattern and establish a single ground at the reference point of the set PCB so that resistance to the wiring pattern and voltage fluctuations due to a large current will cause no fluctuations in voltages of the small-signal GND. Pay attention not to cause fluctuations in the GND wiring pattern of external parts as well.

(11) External capacitor

In order to use a ceramic capacitor as the external capacitor, determine the constant with consideration given to a degradation in the nominal capacitance due to DC bias and changes in the capacitance due to temperature, etc.

### Notes

- No technical content pages of this document may be reproduced in any form or transmitted by any means without prior permission of ROHM CO.,LTD.
- The contents described herein are subject to change without notice. The specifications for the product described in this document are for reference only. Upon actual use, therefore, please request that specifications to be separately delivered.
- Application circuit diagrams and circuit constants contained herein are shown as examples of standard use and operation. Please pay careful attention to the peripheral conditions when designing circuits and deciding upon circuit constants in the set.
- Any data, including, but not limited to application circuit diagrams information, described herein are intended only as illustrations of such devices and not as the specifications for such devices. ROHM CO.,LTD. disclaims any warranty that any use of such devices shall be free from infringement of any third party's intellectual property rights or other proprietary rights, and further, assumes no liability of whatsoever nature in the event of any such infringement, or arising from or connected with or related to the use of such devices.
- Upon the sale of any such devices, other than for buyer's right to use such devices itself, resell or otherwise dispose of the same, no express or implied right or license to practice or commercially exploit any intellectual property rights or other proprietary rights owned or controlled by
- ROHM CO., LTD. is granted to any such buyer.
- Products listed in this document are no antiradiation design.

The products listed in this document are designed to be used with ordinary electronic equipment or devices (such as audio visual equipment, office-automation equipment, communications devices, electrical appliances and electronic toys).

Should you intend to use these products with equipment or devices which require an extremely high level of reliability and the malfunction of which would directly endanger human life (such as medical instruments, transportation equipment, aerospace machinery, nuclear-reactor controllers, fuel controllers and other safety devices), please be sure to consult with our sales representative in advance.

#### About Export Control Order in Japan

Products described herein are the objects of controlled goods in Annex 1 (Item 16) of Export Trade Control Order in Japan.

In case of export from Japan, please confirm if it applies to "objective" criteria or an "informed" (by MITI clause) on the basis of "catch all controls for Non-Proliferation of Weapons of Mass Destruction.

Thank you for your accessing to ROHM product informations.  
More detail product informations and catalogs are available,  
please contact your nearest sales office.

Please contact our sales offices for details ;

|                         |                           |                            |
|-------------------------|---------------------------|----------------------------|
| U.S.A / San Diego       | TEL : +1(858)625-3630     | FAX : +1(858)625-3670      |
| Atlanta                 | TEL : +1(770)754-5972     | FAX : +1(770)754-0691      |
| Dallas                  | TEL : +1(972)312-8818     | FAX : +1(972)312-0330      |
| Germany / Dusseldorf    | TEL : +49(2154)9210       | FAX : +49(2154)921400      |
| United Kingdom / London | TEL : +44(1)908-282-666   | FAX : +44(1)908-282-528    |
| France / Paris          | TEL : +33(0)1 56 97 30 60 | FAX : +33(0) 1 56 97 30 80 |
| China / Hong Kong       | TEL : +852(2)740-6262     | FAX : +852(2)375-8971      |
| Shanghai                | TEL : +86(21)6279-2727    | FAX : +86(21)6247-2066     |
| Dilian                  | TEL : +86(411)8230-8549   | FAX : +86(411)8230-8537    |
| Beijing                 | TEL : +86(10)8525-2483    | FAX : +86(10)8525-2489     |
| Taiwan / Taipei         | TEL : +866(2)2500-6956    | FAX : +866(2)2503-2869     |
| Korea / Seoul           | TEL : +82(2)8182-700      | FAX : +82(2)8182-715       |
| Singapore               | TEL : +65-6332-2322       | FAX : +65-6332-5662        |
| Malaysia / Kuala Lumpur | TEL : +60(3)7958-8355     | FAX : +60(3)7958-8377      |
| Philippines / Manila    | TEL : +63(2)807-6872      | FAX : +63(2)809-1422       |
| Thailand / Bangkok      | TEL : +66(2)254-4890      | FAX : +66(2)256-6334       |

Japan /  
(Internal Sales)

|          |  |                       |                       |
|----------|--|-----------------------|-----------------------|
| Tokyo    | 2-1-1, Yaesu, Chuo-ku, Tokyo 104-0082  | TEL : +81(3)5203-0321 | FAX : +81(3)5203-0300 |
| Yokohama | 2-4-8, Shin Yokohama, Kohoku-ku, Yokohama, Kanagawa 222-8575                                 | TEL : +81(45)476-2131 | FAX : +81(45)476-2128 |
| Nagoya   | Dainagayo Building 9F 3-28-12, Meieki, Nakamura-ku, Nagoya, Aichi 450-0002                   | TEL : +81(52)581-8521 | FAX : +81(52)561-2173 |
| Kyoto    | 579-32 Higashi Shiokouji-cho, Karasuma Nishi-iru, Shiokoujidori, Shimogyo-ku, Kyoto 600-8216 | TEL : +81(75)311-2121 | FAX : +81(75)314-6559 |

(Contact address for overseas customers in Japan)

|          |                       |                        |
|----------|-----------------------|------------------------|
| Yokohama | TEL : +81(45)476-9270 | FAX : +81(045)476-9271 |
|----------|-----------------------|------------------------|